

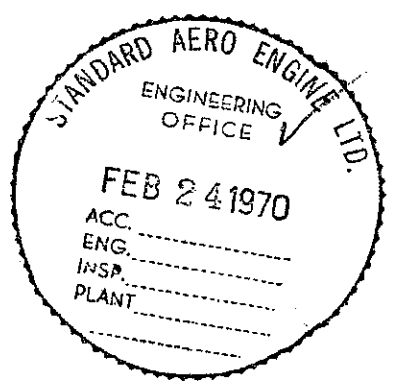
4.01/6 1000

EO 05-45B-4

# CANADIAN FORCES



# PART LIST EXPEDITOR



## REVISION NOTICE

LATEST REVISED PAGES SUPERSEDE  
THE SAME PAGES OF PREVIOUS DATE

Insert revised pages into basic publication.  
Destroy superseded pages.

ISSUED ON AUTHORITY OF THE CHIEF OF THE DEFENCE STAFF

15 DEC 61

Revised 5 Jan 70

## LIST OF REVISIONS

DATE	PAGE NO	DATE	PAGE NO
22 May 62	41	7 Dec 62	116
22 May 62	61	7 Dec 62	121
22 May 62	68	7 Dec 62	197
22 May 62	94	7 Dec 62	204
22 May 62	115	7 Dec 62	253
22 May 62	141	7 Dec 62	307
22 May 62	147	7 Dec 62	308
22 May 62	148	7 Dec 62	450A
22 May 62	175	7 Dec 62	450B
22 May 62	312	7 Dec 62	452
22 May 62	354	7 Dec 62	452A
22 May 62	417	7 Dec 62	455
22 May 62	448	7 Dec 62	456
22 May 62	449	7 Dec 62	456A
22 May 62	450	7 Dec 62	472
22 May 62	450A	7 Dec 62	472A
22 May 62	456	7 Dec 62	477
22 May 62	456A	7 Dec 62	481
22 May 62	457	7 Dec 62	484
22 May 62	458		
22 May 62	458A	25 Feb 63	349
22 May 62	465		
22 May 62	478	5 Jun 63	141
22 May 62	481	5 Jun 63	158A
22 May 62	482	5 Jun 63	205
22 May 62	482A	5 Jun 63	295
		5 Jun 63	298
20 Jul 62	115	5 Jun 63	326
20 Jul 62	197	5 Jun 63	330
20 Jul 62	269	5 Jun 63	388
20 Jul 62	271	5 Jun 63	389
20 Jul 62	272	5 Jun 63	390
20 Jul 62	316	5 Jun 63	390A
20 Jul 62	449	5 Jun 63	412
20 Jul 62	474	5 Jun 63	414
20 Jul 62	474A	5 Jun 63	417
20 Jul 62	482A	5 Jun 63	418
		5 Jun 63	441
21 Sep 62	116	5 Jun 63	443
21 Sep 62	128	5 Jun 63	444
21 Sep 62	401	5 Jun 63	444A
21 Sep 62	470	5 Jun 63	449
21 Sep 62	470A	5 Jun 63	450
21 Sep 62	478	5 Jun 63	450A
		5 Jun 63	451
7 Dec 62	35	5 Jun 63	452
7 Dec 62	36	5 Jun 63	452A
7 Dec 62	109	5 Jun 63	452B
7 Dec 62	115	5 Jun 63	455

## LIST OF REVISIONS

DATE	PAGE NO	DATE	PAGE NO
5 Jun 63	456	7 Jan 64	460
5 Jun 63	456A	7 Jan 64	461
5 Jun 63	456B	7 Jan 64	463
5 Jun 63	468	7 Jan 64	464
5 Jun 63	476	7 Jan 64	465
5 Jun 63	476A	7 Jan 64	467
5 Jun 63	477	7 Jan 64	468
5 Jun 63	481	7 Jan 64	469
		7 Jan 64	472
7 Jan 64	51	7 Jan 64	473
7 Jan 64	62	7 Jan 64	474
7 Jan 64	75	7 Jan 64	476
7 Jan 64	83	7 Jan 64	477
7 Jan 64	93	7 Jan 64	478
7 Jan 64	98	7 Jan 64	479
7 Jan 64	120	7 Jan 64	482A
7 Jan 64	124	7 Jan 64	485
7 Jan 64	127		
7 Jan 64	134	22 Jun 64	11
7 Jan 64	153	22 Jun 64	26
7 Jan 64	156	22 Jun 64	35
7 Jan 64	208	22 Jun 64	38
7 Jan 64	210	22 Jun 64	38A
7 Jan 64	226	22 Jun 64	71
7 Jan 64	238	22 Jun 64	73
7 Jan 64	295	22 Jun 64	109
7 Jan 64	297	22 Jun 64	116
7 Jan 64	298	22 Jun 64	121
7 Jan 64	301	22 Jun 64	122
7 Jan 64	303	22 Jun 64	150
7 Jan 64	304	22 Jun 64	153
7 Jan 64	305	22 Jun 64	155
7 Jan 64	320	22 Jun 64	156
7 Jan 64	323	22 Jun 64	158
7 Jan 64	324	22 Jun 64	200
7 Jan 64	340	22 Jun 64	203
7 Jan 64	342	22 Jun 64	220
7 Jan 64	364	22 Jun 64	220A
7 Jan 64	366	22 Jun 64	235
7 Jan 64	373	22 Jun 64	253
7 Jan 64	383	22 Jun 64	266
7 Jan 64	397	22 Jun 64	272
7 Jan 64	449	22 Jun 64	364
7 Jan 64	450	22 Jun 64	368
7 Jan 64	450A	22 Jun 64	375
7 Jan 64	450B	22 Jun 64	376
7 Jan 64	451	22 Jun 64	376B
7 Jan 64	453	22 Jun 64	437
7 Jan 64	456A	22 Jun 64	444

## LIST OF REVISIONS

DATE	PAGE NO	DATE	PAGE NO
22 Jun 64	449	24 Sep 65	93
22 Jun 64	450	24 Sep 65	295
22 Jun 64	450B	24 Sep 65	302
22 Jun 64	456	24 Sep 65	386
22 Jun 64	473	24 Sep 65	443
22 Jun 64	474	24 Sep 65	444
22 Jun 64	474A	24 Sep 65	444A
22 Jun 64	482A	24 Sep 65	452A
30 Oct 64	147	29 Dec 66	iv
30 Oct 64	148	29 Dec 66	418
30 Oct 64	232	29 Dec 66	418A-418B
30 Oct 64	373		
30 Oct 64	376B	21 Aug 67	109
30 Oct 64	378	21 Aug 67	115
30 Oct 64	379	21 Aug 67	386
30 Oct 64	444		
30 Oct 64	450A	31 Oct 67	297
30 Oct 64	455		
30 Oct 64	456A	28 Mar 68	127
30 Oct 64	467		
30 Oct 64	468	20 Sep 68	93
30 Oct 64	484	20 Sep 68	200
		20 Sep 68	206
		20 Sep 68	326
8 Jan 65	52	20 Sep 68	330
8 Jan 65	52A	20 Sep 68	412
8 Jan 65	69	20 Sep 68	414
8 Jan 65	70		
8 Jan 65	241	12 Dec 68	414
8 Jan 65	282		
8 Jan 65	287	18 Sep 69	330
8 Jan 65	453	18 Sep 69	480
8 Jan 65	454	18 Sep 69	481
8 Jan 65	454A		
8 Jan 65	467	5 Jan 70	303
8 Jan 65	481	5 Jan 70	311
8 Jan 65	482	5 Jan 70	442
16 Mar 65	296		
16 Mar 65	449		
16 Mar 65	456A		
16 Mar 65	456B		

## TABLE OF CONTENTS

PART	FIGURE NO.	TITLE	PAGE
<b>1</b>		<b>INTRODUCTION</b>	
		Introduction	1
		Manufacturer's Code Symbols	6
<b>2</b>		<b>GROUP ASSEMBLY PARTS LIST</b>	
	1	General Assembly	10
		WING GROUP	
	2	Wing Installation	16
	3	Wing Assembly LH	20
	4	Wing Assembly RH	24
	5	Covered Aileron Assembly	28
	6	Covered Flap Assembly	31
	6A	Metal Covered Flap Assembly	33
		CENTER SECTION WING GROUP	
	7	Center Section Wing Assembly	34
	8	Landing Gear Door Installation	40
	9	Firewall Installation	44
	10	Nacelle Firewall Assembly LH - RH	48
		TAIL GROUP	
	11	Tail Surface Installation	50
	12	Stabilizer Assembly	54
	13	Covered Elevator Assembly	60
	14	Fin Assembly	64
	15	Covered Rudder Assembly	68
		FUSELAGE GROUP	
	16	Fuselage Structure Assembly	71
	17	Windshield and Pilot's Window Installation	74
	18	Cabin Door Assembly	78
	19	Baggage Compartment Door Installation	82
	20	Navigators Astradome Assembly	85
	21	Emergency Exit Hatch Assembly	87
		LANDING GEAR GROUP	
	22	Landing Gear Installation	90

**TABLE OF CONTENTS (Cont'd)**

PART	FIGURE NO.	TITLE	PAGE
2	23	Landing Gear Shock Absorber Assembly	96
	24	Landing Gear Drag Leg Assembly	100
	25	Brake and Wheel Assembly	102
	26	Brake Assembly	104
	27	Landing Gear Retract Mechanism Installation	106
	28	Landing Gear and Flap Hand Crank Support Assembly	112
	29	Landing Gear Motor Assembly	114
 BRAKE SYSTEM GROUP			
	30	Dual Brake System Installation	116
	31	Master Brake Cylinder Assembly	123
 TAIL WHEEL GROUP			
	32	Tail Wheel and Controls Installation	126
	33	Tail Wheel and Controls Installation	130
	33A	Tail Wheel Door Assembly	134
	34	Tail Wheel Shock Absorber	136
	35	Tail Wheel	138
 POWER PLANT GROUP			
	36	Power Plant Installation	140
	37	Power Plant Installation	146
	38	Cowling Assembly	150
	39	Engine Exhaust System Installation LH and RH	156
	40	Engine Baffle Installation	159
	41	Carburettor Heater Muff Installation LH	160
	42	Carburettor Heater Muff Installation RH	164
	43	Carburettor Air Scoop and Filter Duct Installation	168
	44	Vacuum System Installation	172
	45	Hydromatic Propeller Installation	174
	46	Plessey Pump and Piping Installation	177
	47	Propeller Control Installation	180
	48	Body Vacuum System Piping Installation	183
	49	Centralized Air Filter Installation	185
	50	Engine Instrument Piping Installation	186
	51	Instrument Piping Installation	190
	52	Fuselage Piping Supports Installation	194
	53	Anti-Icer Piping Installation	196
	54	Control Pedestal Installation	200
	55	Engine Controls Installation	208
	56	Wing Fuel Tank Installation	214

**TABLE OF CONTENTS (Cont'd)**

PART	FIGURE NO.	TITLE	PAGE
2	57	Nose Fuel Tank Installation	220
	58	Fuel System Installation	222
	59	Nacelle Oil System Installation	230
	60	Nacelle Oil Tank Installation	234
FLIGHT CONTROLS GROUP			
	61	Torque Shaft and Control Column Installation	236
	62	Aileron Control Installation	240
	63	Aileron Tab Control Installation	244
	64	Rudder Control Installation	246
	65	Rudder Tab Control Installation	252
	66	Elevator Control Installation	258
	67	Elevator Tab Control Installation	262
	68	Wing Flap Mechanism Installation	266
	69	Flap Mechanism Motor Assembly	271
	70	Flap Control Gear Box Assembly	273
FURNISHINGS GROUP - UTILITIES SYSTEMS			
	71	Pitot and Static Pressure Line Installation	275
	72	Fire Extinguisher System Installation	278
	73	Heat and Ventilation System Installation (Sheet 1 of 2)	282
	73	Heat and Ventilation System Installation (Sheet 2 of 2)	284
	74	Heat and Ventilation System Installation	290
	75	Floating Panel Assembly	295
	76	Instrument Panel Installation	299
	77	Instrument Subpanel Assembly	301
	78	Wing and Stabilizer De-Icer Installation	304
	79	De-Icer System Installations	306
	80	Miscellaneous Tools and Equipment	311
	81	Windshield Wiper Installation	312
FURNISHINGS GROUP - ELECTRICAL			
	82	Outboard Wing and Tail Surface Electrical Installation	315
	83	Firewall Electrical Equipment Installation	318
	84	Fuselage Electrical Equipment Installation	322
	85	Fuselage Electrical Equipment Installation	326
	86	Center Section Electrical Equipment Installation	332
	87	Battery Installation	338
	88	Generator Control Box Installation	340

**TABLE OF CONTENTS (Cont'd)**

PART	FIGURE NO.	TITLE	PAGE
2	89	Center Section Electrical Equipment Installation	342
	90	Generator Control Box Installation	345
<b>FURNISHINGS GROUP - RADIO</b>			
	91	Radio Equipment Installation	348
	92	Radio Equipment Installation	358
	93	Radio Equipment Installation	362
<b>FURNISHINGS GROUP - CABIN AND PILOT'S COMPARTMENT</b>			
	94	Cabin Furnishings Installation	368
	95	Cabin Furnishings Installation	376
	96	Cabin Chair Reclining	382
	97	Cabin Chair and Table Installations	388
	98	Pilot's Compartment Chair Assembly	390
	99	Lavatory and Rear Radio Compartment Installation	393
	100	Pilot's Compartment Floorboard Installation	396
	101	Cabin Floor Installation	400
	102	Cabin Floor Installation 3T	403
	103	Cabin Instrument Panel Installation	406
	104	Cabin Seat Assembly	410
	105	Decals and Placards Installation	412
3	<b>SPECIAL TOOLS AND GROUND HANDLING EQUIPMENT</b>		
	106	Special Tools	416
	107	Ground Handling Equipment	418
	108	Bar - Main Landing Gear Towing	418A - 418B
4	<b>BULK MATERIALS TABLES</b>		419
5	<b>NUMERICAL PART LIST</b>		441



## PART 1

# INTRODUCTION

### INTRODUCTION

#### General

1 This Part List is applicable to the Royal Canadian Air Force Expeditor 3 Aircraft manufactured by the Beech Aircraft Corporation, Wichita, Kansas and rebuilt and modified by (BAW) Bristol Aircraft (Western) Limited, formerly (MBA) MacDonald Bros. Aircraft Limited, Winnipeg, Manitoba, Canada. It has been prepared to enable supply, maintenance and repair personnel to properly and quickly identify parts for procurement.

#### NOTE

To expedite the delivery of spare parts the Aircraft Model, Part Number and Description should be stated when ordering. The location, function and other pertinent data supplied with the requisition may also be of value in helping to avoid costly delays.

#### Limitations

2 The Part List is not to be used as an authority for the assembly or disassembly of the aircraft. Overhaul or repair should be done by authorized personnel using the applicable instruction manuals.

#### CODING

##### General

3 For quick referencing and to conserve space, a code system is employed for Vendor Items. Capital letters in parenthesis follow the vendors item title when listed in Part 2. Code letters are also listed alphabetically and

to the left of the firm's name and address in the Alphabetical List of Vendors in this Part.

#### USAGE CODE

##### General

4 The Usage Code indicates those parts which are limited to use on a specific aircraft; i.e.:-

- ALL Applicable to all models
- A Applicable to 3N (Navigation Trainer) only
- B Applicable to 3NM (Navigation Trainer Modified) only
- C Applicable to 3TM (Personnel Transport) only
- D Applicable to 3T (Pilot Trainer) only

#### R.C.A.F. Serial Numbers

5 Shown below are the R.C.A.F. Serial Numbers which have been allocated to Expeditor aircraft. They may be used to assist in the proper identification of specific model usage. An identification placard is shown as it is installed on the aircraft. Since two (2) numbers appear, a mark has been added to denote that R.C.A.F. Serial Numbers only are listed in this Part List.



SERIAL NUMBER		TYPE	USAGE
From	To Incl.		
1381		3T	D
1383	1384	3T	D
1386	1388	3T	D
1390	1392	3T	D
1396	1399	3T	D
1401	1402	3T	D
1404	1405	3T	D
1408	1409	3T	D
1411	1414	3T	D
1416	1424	3T	D
1426	1500	3N	A
1501		3TM	C
1502	1515	3NM	B
1516	1535	3TM	C
1536	1555	3NM	B
1556	1575	3TM	C
1579	1594	3NM	B
1595	1600	3TM	C
2278	2302	3N	A
2303	2382	3NM	B
FR940	FR945	3T	D
FR947	FR948	3T	D
HB101	HB102	3T	D
HB104	HB105	3T	D
HB107	HB109	3T	D
HB111	HB117	3T	D
HB119	HB120	3T	D
HB122	HB123	3T	D
HB125	HB126	3T	D
HB130	HB131	3T	D
HB135	HB144	3T	D
HB148		3T	D
HB207		3T	D
HB210		3T	D
HB212		3T	D
HB266	HB267	3T	D
HB269		3T	D

Asterisks

6 An asterisk following a part number indicates a footnote which denotes changes within model types, i.e., serial effectivity, interchangeability, etc.

GROUP ASSEMBLY PART LIST

General

7 This section comprises the major portion of the Part List. The aircraft parts are listed in continuous assembly breakdown order with indexed illustrations preceding the corresponding parts listing. This section is divided into thirteen main group listings arranged in the following order:

- Wing Group
- Center Section Wing Group
- Tail Group
- Fuselage Group
- Landing Gear Group
- Brake System Group
- Tail Wheel Group
- Power Plant Group
- Flight Controls Group
- Furnishings Group - Utilities Systems
- Furnishings Group - Electrical
- Furnishings Group - Radio
- Furnishings Group - Cabin and Pilot's Compartment

Figure and Index Column

8 This column contains the illustration figure number and the index number of the part shown and listed.

Part Number Column

9 This column lists the prime or modifying contractor's part number, AN parts or Vendor's part number. This number is used to requisition replaceable parts.

Left Hand and Right Hand Part Numbers

10 When details of left-hand and right-hand parts are identical, the items are listed without distinguishing letters or dash numbers. Where there are differences between left-hand and right-hand parts the part numbers are modified according to the contractor's or vendor's drawing system and the letter LH or RH added to the description of the part in the Nomenclature Column.

## Nomenclature Column

11 This column provides the complete name and description of all items in accordance with the contractor's engineering drawing titles.

## Parts and Assembly Relationship

12 The main group heading, which is the title of the relevant illustration, is listed in column 1 with breakdowns of major assemblies; sub-assemblies and detail parts listed one column to the right respectively. The next higher assembly for any part or sub-assembly can therefore be found by reading up to the first listing in the first column to the left.

## Attaching Parts

13 Nuts, bolts, screws etc., which are used to affix one part to another are called "Attaching Parts", and are shown in the Nomenclature Column immediately below the part or assembly which they attach. These "Attaching Parts"; are described starting from the same left hand column used by the part or assembly which they attach.

## Units Per Assembly Column

14 This column shows the number of units required for each assembly or sub-assembly as applicable. As used in this column AR denotes "As Required", and Ref. denotes a call-out on another illustration which will be noted in the Nomenclature Column.

## Usage on Code Column

15 The code found in this column consists of letters assigned to the model for which the part or assembly is required. See paragraph 4.

SPECIAL TOOLS AND GROUND HANDLING  
EQUIPMENT

## General

16 This section supplies a listing of all special tools and ground handling equipment required for the maintenance of aircraft or equipment. Each tool and piece of equipment is illustrated in the accompanying figures.

## BULK MATERIAL TABLES

## General

17 These tables provide a listing of the bulk materials and fittings, together with the relevant specifications, used for the fabrication of rigid metallic lines, flexible lines and cable assemblies.

## Rigid Metallic Lines

18 Metal lines are called up under the various systems which are arranged alphabetically. The tables are divided into four major columns, reading from left to right as follows:

PART NUMBER  
SIZE, GAUGE, STRAIGHT LENGTH  
MAT. SPEC. & REF. NO.  
FITTINGS (SLEEVE QTY. & NUT QTY.)

## Flexible Lines

19 Flexible Lines are listed under their applicable systems with the following information:

PART NUMBER  
HOSE SIZE & LENGTH  
MAT. SPEC. & REF. NO.  
FITTINGS, QUANTITY

## Cable Assemblies

20 Cable Assemblies are listed under the various control systems, with the following information:

PART NUMBER  
CABLE SIZE & LENGTH  
MAT. SPEC. & REF. NO.  
FITTINGS, QUANTITY

## NUMERICAL PART LIST

## General

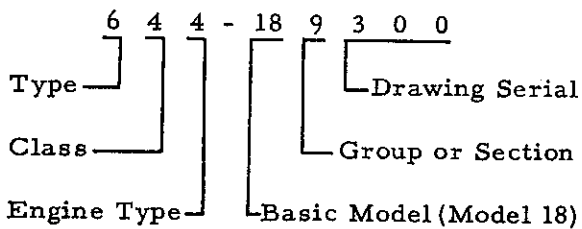
21 This part list provides an alpha numerical listing of all parts, assemblies and sub-assemblies listed in the Group Assembly Part List, with the exception of Standard Aircraft hardware such as AN bolts, nuts, etc. The left hand column supplies the part number or,

if necessary the name of the part. The second column lists the figure and index number/s in the Group Assembly Part List where the part or assembly may be found. The third column shows the total quantity required per aircraft.

## CONTRACTOR'S DRAWING NUMBERING SYSTEM

### General

22 Basic part or drawing numbers consist of six original digits; essentially two digits to designate basic model, one digit to designate major group or section and three additional serial digits.



A prefix of one, two or three digits used with the six original digits indicates type and class of aircraft and the type of engine used on the aircraft. Group or section numbers are assigned various parts and drawings based upon the function for which they were designed.

### Group Numbers

23 Group numbers are allocated as follows:

0 - Miscellaneous - three-view drawings, electrical equipment, flare brackets, lugs, rods, placards, etc.

1 - Wing Panels - Wing assembly, wing spars, wing ribs, ailerons, flap, etc.

2 - Wing Braces - Wing struts, longerons, fittings, aileron and flap brackets, etc.

3 - Cabin Furnishings - Cabin floor and door, rug, woodwork, instrument panel.

4 - Fuselage Structure - Fuselage spars, longerons, bulkheads, fittings.

5 - Fairing and Cowling - Nacelle, forward fuselage structures, tail structure, etc.

6 - Tail surfaces and braces - Tail skins, struts, longerons, fittings.

7 - Control Installations - Flight.

8 - Alighting Gear - Wheel and brake, struts, shock absorber, etc.

9 - Power Plant - Engine, propeller, carburettor, primer, etc.

### Type Numbers

24 The principal and original use of the type number was to indicate the type of aircraft of a special equipment drawing. Some drawings employ the type numbers 6, 7 and 8 as class numbers.

0 - Landplane. (Note: The "O" is understood but never shown on drawings).

1 - Seaplane.

2 - Skiplane.

3 - Not used.

4 - Not used.

5 - Not used.

6 - Used to expand the class numbers.

7 - Used to expand the class numbers.

8 - Used to expand the class numbers.

9 - Special equipment.

### Class Numbers

25 The class numbers are used to indicate the weight classification on commercial models and functional classification of military models.

0 - Commercial aircraft of 7200 pounds, gross weight class.

1 - Commercial aircraft of 7500 pounds, gross weight class, equipped with approximately 300 hp engines.

2 - Commercial aircraft of 7500 pounds, gross weight class, equipped with approximately 400 hp engines.

3 - Commercial aircraft of 7850 pounds, gross weight class.

4 - Military aircraft for foreign countries.

5 - Photographic aircraft.

6 - USAF transports.

7 - Navy transports.

70 - Navy transports.

77 - Navy transports.

8 - USAF advanced trainers.

80 - USAF advanced trainers.

81 - USAF trainers.

82 - Revised USAF transports.

83 - Navy transports.

84 - Navy advanced trainers.

85 - Revised USAF transports.

9 - Revised USAF transports.

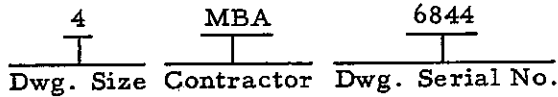
Engine Numbers

26 The following numbers have been allocated to the engines used on Beech aircraft:

- 1 - Wright 7 cylinder
- 2 - Jacobs L-6
- 3 - Wright 9 cylinder
- 4 - Pratt and Whitney Wasp, Jr.
- 5 - Jacobs L-5
- 6 - Jacobs L-4
- 7 - Continental

MACDONALD BROS. AIRCRAFT LTD.  
DRAWING NUMBERING SYSTEM

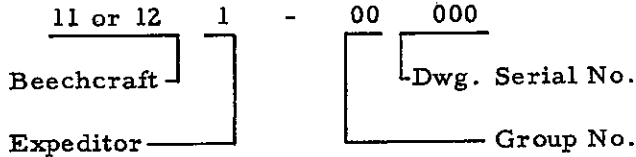
27 MacDonal Bros. Aircraft Ltd, Winnipeg, Canada effected the rebuild program on Expeditor series 3T aircraft for the RCAF. In addition to Beech drawing numbers MBA drawing numbers are also listed in this catalogue. An explanatory example is shown below:



BRISTOL AERO-INDUSTRIES DRAWING  
NUMBERING SYSTEM

General

28 Bristol Aero-Industries Limited drawing numbers consist of a three digit number followed by a five digit number, the two separated by a hyphen. Both the three digit and five digit numbers are built up from two controls as shown.



29 Group Numbers are assigned as follows

- |                      |                             |
|----------------------|-----------------------------|
| 10 Wings & Empennage | 50 Power Plant              |
| 20 Body Group        | 60 Systems                  |
| 30 Armament          | 70 Electronics              |
| 40 Controls          | 80 Miscellaneous Equipment. |

Parts (brackets, bolts etc.), required to attach a unit to a part in another group are considered in the same group as the unit to be attached.

IDENTIFYING A PART

When a Part Number is Known.

30 Find the part number in the Numerical Part List. Turn to the illustration in the Group Assembly Part List called up in the adjoining column. The index number will locate the part on the illustration and in the relevant list.

When a Part Number is unknown.

31 From the Table of Contents Select the illustration that most likely covers the assembly, sub-assembly or part required. Turn to the illustration and locate the part on the drawing. From the index number of the part illustrated locate the part in the relevant listing.

## MANUFACTURER'S CODE SYMBOLS

Code	Name & Address	Code	Name & Address
AA	Air Associates, Inc., Teterboro, New Jersey	BX	Bendix Aviation Corp., Fisher Building, Detroit, Michigan
AB	Allen-Bradley Co., 118 W. Greenfield Ave., Milwaukee 4, Wisconsin	CED	Cannon Electric Development Co., Los Angeles 31, California
AEV	Aerovox Corp., 742 Bellville Ave., New Bedford, Massachusetts	CGS	Chicago Screw Co., 1000 S. Homman Ave., Chicago, Illinois
AIV	Avia Products Co., Beverly Blvd. & N. Alta Vista, L. A. 36, California	CHP	Champion Aviation Products Co., Toledo, Ohio
AM	American Bosch Co., 3700 Main Street, Springfield 7, Massachusetts	CN	Centralab, 932, E. Keefe Ave., Milwaukee, Wisconsin
AP	Adel Precision Products Corp., Van Owen & Cleon Street, Burbank, California	COH	Cole Hersee Co., 18 Old Colony Ave., Boston, Massachusetts
APX	Apex Machine and Tool Co., Lange & Patterson Blvd., Dayton 2, Ohio	COW	Cowles, C. & Co., New Haven, Connecticut
AQ	Aeroquip Corp., 303 S. East Ave., Jackson, Michigan	CRB	Corbin, P. and F., 100 Orchard Street, New Britain, Connecticut
ARC	Aircraft Radio Corp., 708-10 Main Street, Boonton, New Jersey	CUT	Cutler Hammer, Inc., 315 North 12th Street, Milwaukee, Wisconsin
AS	Aero Supply Mfg. Co. Inc., 611 W. Main Street, Corry, Pennsylvania		Curtis Automotive Devices, 1000R. Street, Bedford, Indiana
BC	Breeze Corp., Inc., 41 S. 6th Street, Newark 7, New Jersey	DI	Diamond Chain and Mfg. Co., 400 Kentucky Ave., Indianapolis, Indiana
BGW	Boston Gear Works 3200 Main Street, Quincy 71, Massachusetts	DLC	Dial Light Co., of America Inc., 900 Broadway, New York 3, New York
		DMC	Drake Mfg. Company, 1709 W. Hubbard Blvd., Chicago, Illinois

**MANUFACTURER'S CODE SYMBOLS (Cont'd)**

Code	Name & Address	Code	Name & Address
DY	Dayton Manufacturing Co., Dayton, Ohio	GY	Goodyear Tire and Rubber Co., 1144 E. Market Street, Akron 16, Ohio
DZ	Dzus Fastener Co. Inc., Babylon, New York	ELSP	Eberhard Mfg. Co., 2800 Tennyson Road, Cleveland, Ohio
EC	Eclipse Aviation Division, 43 Williams Ave., Teterboro, New Jersey	GY	Goshen Rubber Co., Goshen, Indiana
ECP	Eclipse Pioneer Division, Bendix Aviation Corp., 43 Williams Ave., Teterboro, New Jersey	HA	Hayes Industries, Inc., Wildwood Road, Jackson, Michigan
EDI	Thomas Edison Electrical Co., 52 Lakeside, West Orange, New Jersey	HFP	Hoof Products Co., 6543 S. Laramie Ave., Chicago 38, Illinois
ELSP	Electrical Specialty Co., 402 Lake Ave., Racine, Wisconsin	HS	Hamilton Standard Propeller Div., United Aircraft Corp., East Hartford, Connecticut
FAF	Fafnir Bearing Co., New Britain, Connecticut	KO	Kollsman Instruments, 80-08 - 45th Ave., Elmhurst Long Island, New York
FFC	Fyr-Fyter, Co., The, 1902 Fyr-Fyter Building, Dayton, Ohio	KOE	Koehler Aircraft Products Co., 814 Vermont Ave., Dayton 4, Ohio
FIN	Formica Insulation Co., 4615 Spring Grove Ave., Cincinnati, Ohio	LEL	Leland Electric Co., 1501 Leo Street, Dayton 4, Ohio
FOR	Ford Motor Company, Dearborn, Michigan	LEN	Lewis Engineering Co., Maple & Rubber Streets, Naugatuck, Connecticut
GD	B. F. Goodrich Co., The, 500 S. Main Street., Akron, Ohio	LH	Lockheed Aircraft Corp., Burbank, California
GE	General Electric Corp., 1 River Road, Schenectady, New York	LI	Liquidometer Corp., 3920 Skillman Ave., Long Island City 1, New York
GMC	Grimes Manufacturing Co., 600 N. Russell, Urbana, Ohio		

## MANUFACTURER'S CODE SYMBOLS (Cont'd)

Code	Name & Address	Code	Name & Address
LN	Leece-Neville Co., 5109 Hamilton Ave., Cleveland 14, Ohio	PLB	Phillips Manufacturing Co., 2816-7 Aldrich, South Minneapolis, Minnesota
LO	Lord Manufacturing Co., 1635 W. 12th Street, Erie, Pennsylvania	PMB	Peerless Machine Co., 1601 Junction Ave., Racine, Wisconsin
LR	Leach Relay Co. Inc., 5915 Avalon Blvd., Los Angeles 3, California.	PMR	Premier Rubber Mfg. Co., The, Dayton, Ohio
MAL	Mallory P.R. & Co., Inc., Mallory Bldg., Indianapolis, Indiana	PR	Pioneer Instrument Div., Bendix Aviation Corp., 43 Williams Ave., Teterboro, New Jersey
MARI	Marco Industries Co., 3747 Jane Street, Depew, New York	PW	Pratt & Whitney Aircraft Corp., 1 Charter Oak Blvd., W. Hartford, Connecticut
MCS	Micro Switch Corp., Freeport, Illinois	RLI	Radio Laboratory, Inc., 2703 California Ave., Seattle, Washington
MIM	Minnesota Mining and Mfg. Co., Minneapolis, Minnesota	RO	Romec Pump Co., 1430 Abbee Road, Elyria, Ohio
MQ	Marquette Metal Products Co., 1145 Galewood Drive, Cleveland 10, Ohio	RP	Reed and Prince Mfg., Co., 1 Duncan Ave., Worchester, Ohio
NAB	National Brass Co., 1599 Madison Ave. S. E., Grand Rapids 2, Michigan	SCA	Scott Aviation Corp., 207 Erie Street, Lancaster, New York
OAK	Oak Manufacturing Co., 1620 N. Clybourn Ave., Chicago, Illinois	SHZ	Schatz Manufacturing Co., West Poughkeepsie, New York
OM	Ohmite Manufacturing Co., 4835 Flournoy Street, Chicago 44, Illinois	SNT	Scintilla Magneto Division Sidney, New York
PA	Parker Appliance Co., The, 17325 Euclid Ave., Cleveland 12, Ohio	SPC	Shakespeare Products Co., Kalamazoo, Michigan
PK	Parker-Kalon Corp., 194 Varick St., New York, New York	SPE	Sperry Gyroscope Co., Inc., Great Neck, Long Island, New York



**MANUFACTURER'S CODE SYMBOLS (Cont'd)**

Code	Name & Address	Code	Name & Address
SPT	Spencer Thermostat Co., Klixon Company, 34 Forest Street, Attleboro, Massachusetts	USG	United States Gypsum, 302 West Adams Clark Street, Chicago, Illinois
ST	Stromberg Products, South Bend, Indiana		United Sash & Door Co., Wichita, Kansas
SW	Stewart-Warner Corp., 1826 W. Diversey Parkway, Chicago 14, Illinois	WAC	Wright Aeronautical Corp., Caldwell-Wright Airport, Wood-Ridge, New Jersey
TI	Timkin Roller Bearing Co., The Canton 6, Ohio	WE	Western Electric Co., 195 Broadway, New York, New York
TIN	Tinnerman Products, Inc., 2038 Fulton Road, Cleveland 13, Ohio	WIT	Witteck Manufacturing Co., 4309 West 24th Place, Chicago, Illinois
TOM	Thomas and Betts Co., Elizabeth, New Jersey	WK	Walter Kidde and Co., Inc., 675 Main Street, Belleville 9, New Jersey
TP	Thompson Products, Inc., 23555 Euclid Ave., Cleveland 17, Ohio	WS	Weston Electric Instrument Corp., 614 Frelinghuysen Ave., Newark 5, New Jersey
UAC	United Aircraft Corp., Bridgeport, Connecticut	WSB	Willard Storage Battery Co., 246-286 E. 131st Street, Cleveland, Ohio
UC	United-Carr Fastener Corp., 450 Main Street, Cambridge 42, Massachusetts	WTR	William R. Whittaker Co., 915 North Citrus Ave., Los Angeles, California
UCI	Ucinite Co., Nevada Street, Newtonville, Mass.		Wickland Mfg. Co., Pasadena, California
UNA	United Aircraft Products Inc., 1116 Balender Ave., Dayton 1, Ohio		

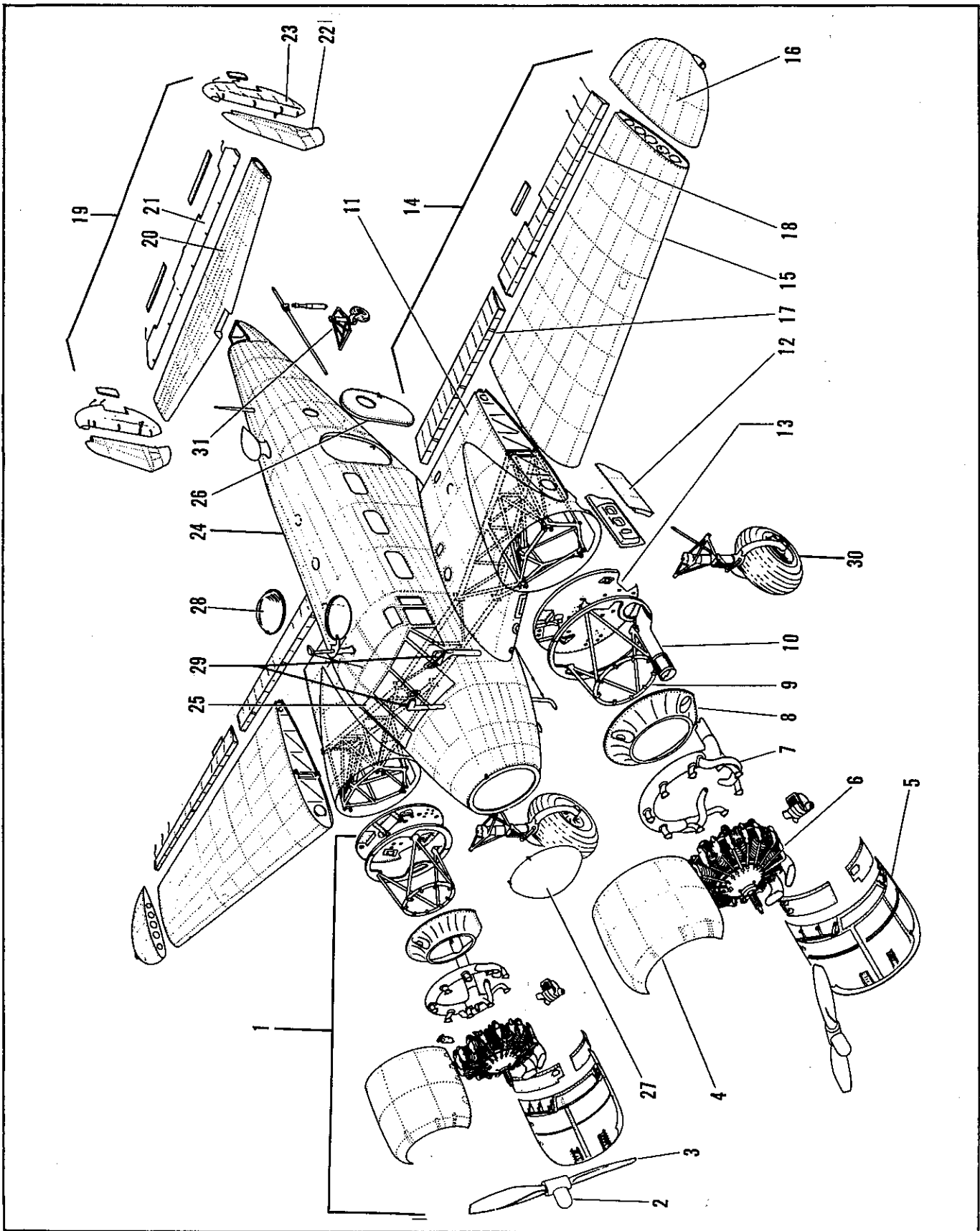


Figure 1. General Assembly

FIGURE and INDEX NUMBER	GROUP AIRCRAFT ARRANGEMENT							Units Per Ass'y	Usage on Code		
	MAJOR ASSEMBLY		GENERAL								
	PART NUMBER	1	2	3	4	5	6			7	NOMENCLATURE
1 -	644-180001								General Assembly - 3N Airplane	A	
	644-180002								General Assembly - 3NM Airplane	B	
	644-180003								General Assembly - 3TM Airplane	C	
	2MBA-13000								General Assembly - 3T Airplane	D	
- 1	644-189000								Power Plant Installation - (see Figure 36)	1	ALL
- 2	22030								Hub - Propeller - (see Figure 36)	2	ALL
- 3	6533A-21S								Blade - Propeller	4	ALL
	6533A-22S								Blade - Propeller	4	ALL
	6533A-21S								Blade - Propeller - (see Figure 36)	4	ALL
- 4	404-185901								Cowling Assembly - Engine upper	2	ABC
	185901-C055863								Cowling Assembly - Engine upper (see Figure 38)	2	D
- 5	404-185903								Cowling Assembly - Engine lower	2	ABC
	185903-C055861								Cowling Assembly - Engine lower (see Figure 38)	2	D
- 6	R985-AN-148								Engine (Specification AN2035)(PW) (see Figure 36)	2	ALL
- 7	18S9200L-500								Exhaust System LH	1	ALL
	18S9200R-500								Exhaust System RH (see Figure 39)	1	ALL
- 8	84-185910-1								Cowling Assembly - Engine inner RH	1	ALL
	84-185910-2								Cowling Assembly - Engine inner LH (see Figure 38)	1	ALL
- 9	18S9100-29								Mount Assembly - Engine (see Figure 36)	2	ALL
- 10	18S9213L								Shroud Installation - Exhaust tail pipe LH	1	ALL
	18S9213R								Shroud Installation - Exhaust tail pipe RH (see Figure 36)	1	ALL
- 11	644-181100								Wing Assembly - Center section LH	1	ALL
	644-181100-1								Wing Assembly - Center section RH (see Figure 7)	1	ALL
- 12	404-185951								Door Installation - Landing gear LH	1	ALL
	404-185951-1								Door Installation - Landing gear RH (see Figure 8)	1	ALL
- 13	644-189300								Firewall Installation LH	1	ALL
	644-189300-1								Firewall Installation RH - (see Figure 9)	1	ALL
- 14	404-181000-3								Wing Installation - (see Figure 2)	1	ALL
- 15	B18120L								Wing Assembly - Outboard section LH	Ref	ALL
	B18120R								Wing Assembly - Outboard section RH (see Figure 2)	Ref	ALL
- 16	18150L								Tip Assembly - Wing LH - (see Figure 3)	Ref	ALL
	18150-25								Tip Assembly - Wing RH - (see Figure 4)	Ref	ALL
- 17	404-181650								Flap Assembly - LH	Ref	ALL
	404-181650-1								Flap Assembly - RH (see Figure 2)	Ref	ALL
	111-12004-1								Flap Assembly - LH (metal)	Ref	ALL
	111-12004-2								Flap Assembly - RH (metal) (see Figure 6A)	Ref	ALL
- 18	404-181350								Aileron Assembly - LH	Ref	ALL
	404-181350-1								Aileron Assembly - RH (see Figure 2)	Ref	ALL
- 19	407-186000								Tail Surface Installation	1	ABC
	404-186000								Tail Surface Installation - (see Figure 11)	1	D

Part 2  
Group Assembly Part List

EO 05-45B-4

FIGURE and INDEX NUMBER	GROUP AIRCRAFT ARRANGEMENT							Units Per Ass'y	Usage on Code		
	MAJOR ASSEMBLY		GENERAL Continued								
	PART NUMBER	1	2	3	4	5	6			7	NOMENCLATURE
1 - 20	407-186050								Stabilizer Assembly	Ref	ABC
	404-186050								Stabilizer Assembly - (see Figure 11)	Ref	D
- 21	404-186175								Elevator Assembly - (see Figure 11)	Ref	ALL
- 22	186200L								Fin Assembly LH	Ref	ALL
	186200-19								Fin Assembly RH	Ref	ABC
	186200R								Fin Assembly RH - (see Figure 11)	Ref	D
- 23	407-186350								Rudder Assembly - LH	Ref	ALL
	407-186350-1								Rudder Assembly - RH	Ref	ABC
	186350								Rudder Assembly - RH - (see Figure 11)	Ref	D
- 24	644-184001								Structure Assembly - Fuselage	1	A
	644-184002								Structure Assembly - Fuselage	1	B
	644-184000								Structure Assembly - Fuselage	1	C
	824-184000								Structure Assembly - Fuselage - (see Figure 16)	1	D
- 25	404-185500								Windshield and Pilot's Window Installation	Ref	ABC
	18550								Windshield and Pilot's Window Installation (see Figure 16)	Ref	D
- 26	404-185600								Door Assembly - Cabin - (see Figure 16)	Ref	ALL
- 27	18526								Door Assembly - Nose - (see Figure 16)	Ref	ALL
- 28	644-184790								Astrodome Assembly - (see Figure 16)	Ref	AB
	404-185961								Door Assembly - Tailwheel - LH (see Figures 16 and 33)	Ref	ALL
	404-185961-1								Door Assembly - Tailwheel - RH (see Figures 16 and 33)	Ref	ALL
- 29	644-187000								Controls Installation - Flight (see Figures 61-62-63-64-65-66-67)	1	ALL
- 30	404-188001								Landing Gear Installation - LH	1	ALL
	404-188001-1								Landing Gear Installation - RH (see Figure 22)	1	ALL
- 31	644-188660								Tailwheel and Controls Installation (see Figures 32 and 33)	1	ALL
	404-187940								Dual Brake System Installation - LH	1	ALL
	404-187940-1								Dual Brake System Installation - RH (see Figure 30)	1	ALL
	644-180640								Cabin Furnishings Installation (see Figures 94-98-99-100-101 and 103)	1	A
	644-180644								Cabin Furnishings Installation (see Figures 94-96-98-99-100 and 101)	1	B
	644-180645								Cabin Furnishings Installation (see Figures 94-97-98-99-100-101 and 103)	1	C
	5MBA13560								Cabin Furnishings Installation (see Figures 95-99-100-102 and 104)	1	D
	644-183000								Upholstery Installation - (see Figure 99)	1	AB
	644-183003								Upholstery Installation - (see Figure 99)	1	C

FIGURE and INDEX NUMBER	GROUP AIRCRAFT ARRANGEMENT							Units Per Ass'y	Usage on Code		
	MAJOR ASSEMBLY		GENERAL				Continued				
	PART NUMBER	1	2	3	4	5	6			7	NOMENCLATURE
1 - 31	644-183950								Heating and Ventilating Installation (see Figure 73)	1	AB
	644-183949								Heating and Ventilating Installation (see Figure 74)	1	C
	3MBA13573								Heating and Ventilating Installation (see Figure 74)	1	D
	644-183800								Panel Assembly - Instrument - (see Figure 75)	1	ALL
	644-184720								Pitot and Static Pressure Lines Installation	1	AB
	644-184730								Pitot and Static Pressure Lines Installation	1	C
	1MBA13594								Pitot and Static Pressure Lines Installation (see Figure 71)	1	D
	644-180020								Miscellaneous Tools and Equipment Installation (see Figure 80)	1	ALL
	5MBA13497								Plessey Pump and Piping Installation - Feathering dilution (see Figure 46)	1	D
	644-180600								Electrical Wiring Diagram	1	ABC
	5MBA10200								Schematic Wiring Diagram	1	D
	644-180540								Fuselage Electrical Equipment (see Figures 84 and 85)	1	A
	644-180531								Fuselage Electrical Equipment (see Figures 84 and 85)	1	B
	644-180530								Fuselage Electrical Equipment (see Figures 84 and 85)	1	C
	5MBA13566								Equipment Installation, Fuselage Electrical (see Figures 84 and 85)	1	D
	644-180590								Equipment Installation - Center section electrical (see Figure 86)	1	ABC
	5MBA13564								Electrical Installation - Center section electrical (see Figure 86)	1	D
	644-180666								Equipment Installation - Outboard wing electrical (see Figure 82)	1	A
	644-180711								Equipment Installation - Outboard wing electrical (see Figure 82)	1	BC
	4MBA13415								Equipment Installation - LH - Wing (Installation (Dwg. 644-1860668 modified) (see Figure 82)	1	ALL
	5MBA13045								Equipment Installation - RH - Wing (Installation (Dwg. 644-180666 and 644-180711 modified) (see Figure 82)	1	ALL
	644-180555								Firewall Electrical Equipment Installation - LH (see Figure 83)	1	ABC
	644-180555-1								Firewall Electrical Equipment Installation - RH (see Figure 83)	1	ABC
	5MBA10200								Electrical Installation - Schematic wiring diagram use 644-180555 for physical layout (see Figure 83)	1	D

FIGURE and INDEX NUMBER	GROUP AIRCRAFT ARRANGEMENT							Units Per Ass'y	Usage on Code		
	MAJOR ASSEMBLY	GENERAL			Continued						
	PART NUMBER	1	2	3	4	5	6			7	NOMENCLATURE
1 - 31	644-180670								Radio Installation (see Figures 91-92-93)	1	AB
	644-180663								Radio Installation (see Figures 91-92-93)	1	C
	5MBA6766								General Arrangement of Radio Equipment (see Figures 91-92-93)	1	D
	644-180673								Radio Wiring Diagram	1	ABC
	5MBA6767								Schematic Wiring Diagram - Radio installation	1	D
	3MBA6693								Vent Installation - Engine compartment crankcase LH - Dwg. 644-189892 modified (see Figure 37)	1	ALL
	2MBA13645								Vent Installation - Engine compartment crankcase RH - Dwg. 644-189891 modified (see Figure 37)	1	ALL
	404-188005								Landing Gear Retracting Mechanism Installation (see Figure 27)	1	ALL
	404-187840								Wing Flap Mechanism Installation (see Figure 68)	1	ALL
	404-183801								Instrument Panel Installation (see Figure 76)	1	AD
	644-183804								Instrument Panel Installation (see Figure 76)	1	BC
	644-183010								Standard Soundproofing Installation	1	ALL
	644-183817								Left Sub Panel Assembly (see Figure 77)	1	ALL
	644-183818								Right Sub Panel Assembly (see Figure 77)	1	ALL
	644-183180								Fuselage and Wing Fire Extinguisher Installation (see Figure 72)	1	ALL
	644-189350								Fire Extinguisher - Engine compartment Installation (see Figure 72)	1	ALL
	180820P								Static Ground Installation (see Figure 80)	1	ALL
	644-189055								Pedestal Controls Installation	1	ALL
	404-189058								Engine Controls Installation (see Figure 55)	1	ALL
	644-189600								Body Fuel System Installation (see Figure 58)	1	ALL
	644-189610								Engine Section - Fuel piping installation LH	1	ALL
	644-189610-1								Engine Section - Fuel piping installation RH (see Figure 58)	1	ALL
	189767								Wing Fuel Tank Vent Line Installation LH	1	ALL
	189767-1								Wing Fuel Tank Vent Line Installation RH (see Figure 58)	1	ALL
	644-189750								Engine Primer System Installation (see Figure 58)	1	ALL
	644-189720								Fuel Tank Center Section Rear Installation LH	1	ALL
	644-189720-1								Fuel Tank Center Section Rear Installation RH (see Figure 56)	1	ALL
	644-189730								Center Section Main Tank Installation LH	1	ALL
	644-189730-1								Center Section Main Tank Installation RH (see Figure 56)	1	ALL
	644-189775								Engine Section Vacuum System Installation LH	1	ALL
	644-189775-1								Engine Section Vacuum System Installation RH (see Figure 44)	1	ALL
189214								Shroud Installation - Exhaust tail pipe rear LH	1	ALL	
189214-1								Shroud Installation - Exhaust tail pipe rear RH (see Figure 7)	1	ALL	
74-189020L								Control Installation - Constant speed propeller LH	1	ALL	

FIGURE and INDEX NUMBER	GROUP AIRCRAFT ARRANGEMENT							Units Per Ass'y	Usage on Code		
	MAJOR ASSEMBLY		GENERAL				Continued				
	PART NUMBER	1	2	3	4	5	6			7	NOMENCLATURE
1 - 31	74-189020R								Control Installation - Constant speed propeller (see Figure 47)	1	ALL
	644-189010								Propeller Installation - D18S hydromatic (see Figure 45)	1	ALL
	5MBA13497								Plessey Pump and Piping Installation - Feather- ing dilution (see Figure 46)	1	ALL
	644-189770								Piping Installation - Body vacuum system (see Figure 48)	1	ALL
	404-189694								Supports Installation - Fuselage piping (see Figure 52)	1	ALL
	644-189780								Piping Installation - Engine section instruments - LH	1	ALL
	644-189780-1								Piping Installation - Engine section instruments - RH (see Figure 50)	1	ALL
	644-189710								Piping Installation - Body instruments (see Figure 50)	1	ALL
	644-189740								Nacelle Oil System Installation LH	1	ALL
	644-189740-1								Nacelle Oil System Installation RH (see Figure 59)	1	ALL
	404-189800L								Nacelle Oil Tank Installation LH	1	ALL
	404-189800R								Nacelle Oil Tank Installation RH (see Figure 60)	1	ALL
	404-180980								Tail Surfaces Electrical Equipment Installation (see Figure 82)	1	ALL
	407-187990								Toe Brake Piping Installation (see Figure 30)	1	ALL
	644-183890								Centralized Air Filter Installation (see Figure 49)	1	ALL
	437-180430								Windshield Wiper Installation (see Figure 81)	1	ALL
	404-189620								Nose Fuel Tank Installation (see Figure 57)	1	ALL
	I180482								Stabilizer De-icer Boot Installation (see Figure 78)	1	ALL
	I180481								Wing De-icer Boot Installation (see Figure 78)	1	ALL
	644-189690								De-icer Piping Installation (see Figure 79)	1	ALL
	644-189680								Hydromatic Propeller Anti-icer Piping Install- ation (see Figure 53)	1	ALL

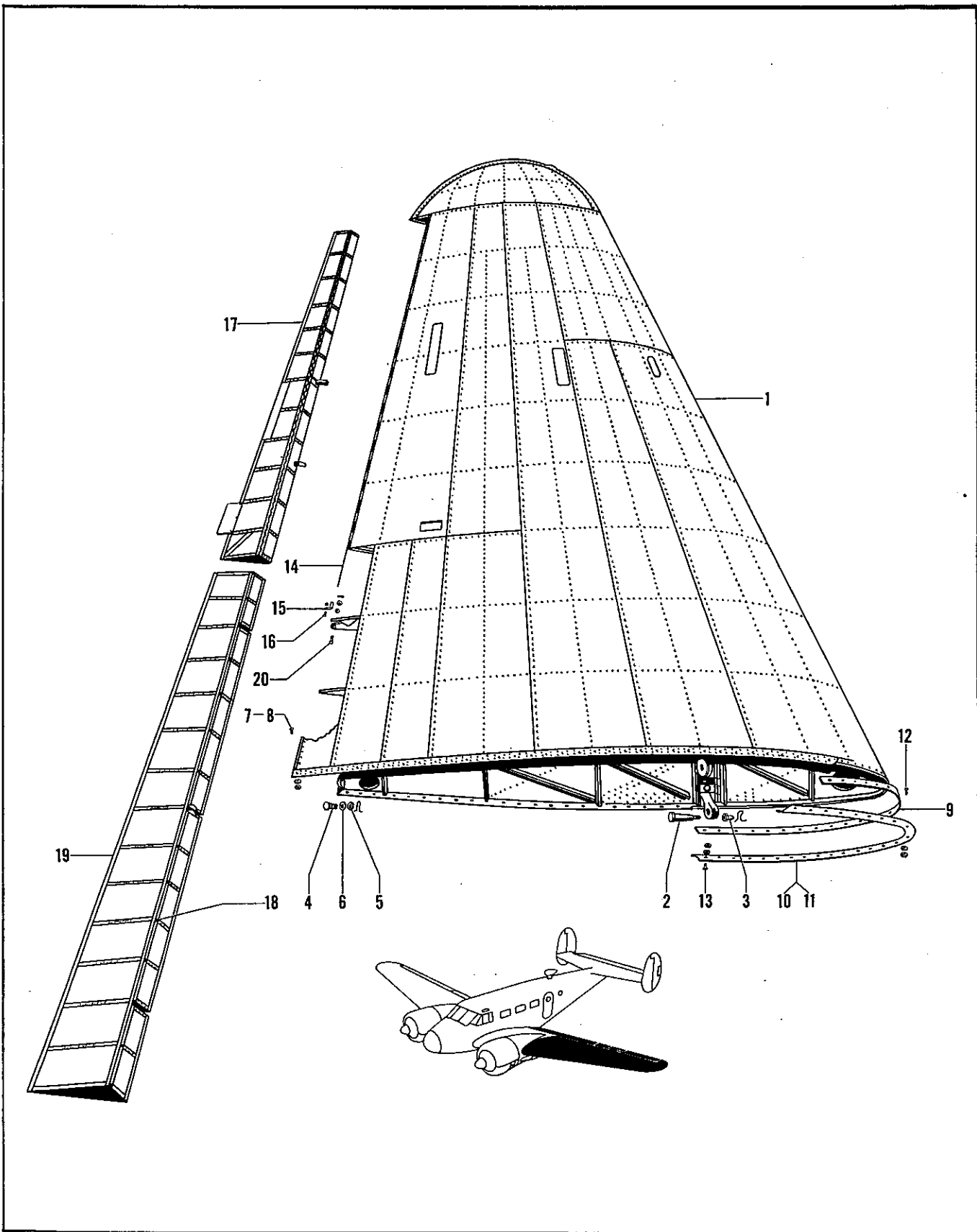


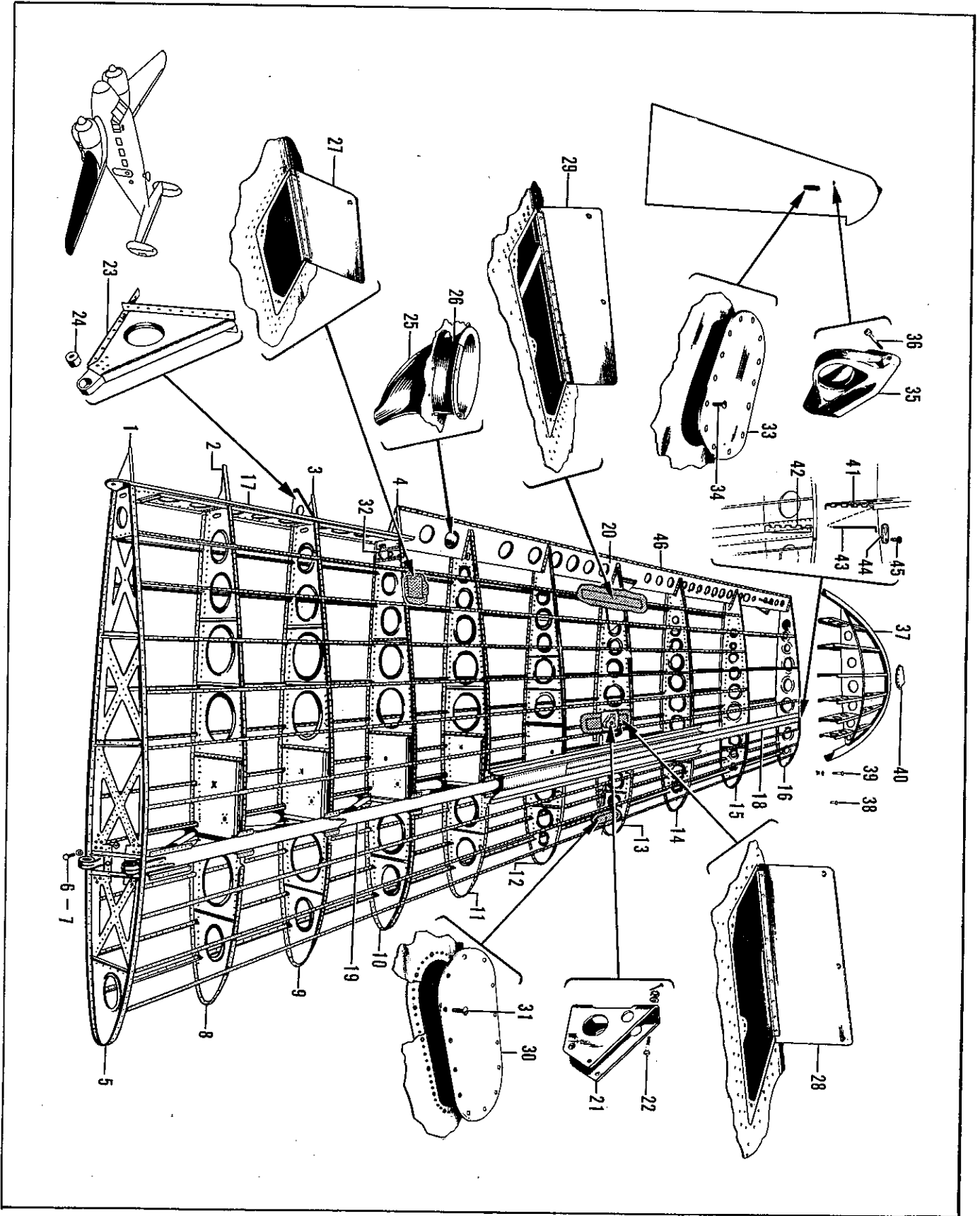
Figure 2. Wing Installation



FIGURE and INDEX NUMBER	GROUP WING		Units Per Ass'y	Usage on Code
	MAJOR ASSEMBLY WING INSTALLATION			
	PART NUMBER	1 2 3 4 5 6 7 NOMENCLATURE		
2 -	404-181000-3	Wing Installation (See Figure 1)	Ref	ALL
- 1	B18120L	Wing Assembly - Outboard section LH (See Figure 3)	1	ALL
		OR		
	B18120-10-620	Wing Assembly - Outboard LH - with de-icer installation (use for spare part - consists of basic wing, wing hinge bolts, bushings, washers, nuts and flap hinges excluding aileron, landing light and de-icer boot).	1	ALL
	B18120R	Wing Assembly - Outboard section RH (See Figure 4)	1	ALL
		OR		
	B18120-11621	Wing Assembly - Outboard RH-with de-icer installation (use for spare part - consists of basic wing, wing hinge bolts, bushings, washers, nuts and flap hinges excluding aileron, landing light and de-icer boot).	1	ALL
		Attaching Parts		
- 2	18206-1	Bolt - Wing spar front	4	ALL
- 3	18206-2	Nut - Wing spar front	4	ALL
	AN995NC51-14	Steel Wire	AR	ALL
- 4	18207-1	Bolt - Wing spar rear	2	ALL
- 5	18207-2	Nut - Wing spar rear	2	ALL
- 6	18207-3	Washer - Wing spar rear	4	ALL
- 7	AN526-832-9	Screw - Brazier head No. 8-32 x 9/16 in.	16	ALL
- 8	AN526-832-8	Screw - Brazier head No. 8-32 x 1/2 in.	66	ALL
	AN365-832	Nut - Self locking No. 8-32	82	ALL
	AN960-8	Washer - Plain No. 8	82	ALL
- 9	404-181000-2	Strip - Wing fairing	2	ALL
- 10	404-181010L	Fillet - Nacelle nose outboard LH	1	ALL
- 11	404-181010R	Fillet - Nacelle nose outboard RH	1	ALL
		Attaching Parts		
- 12	AN526-632-9	Screw - Brazier head No. 6-32 x 9/16 in.	8	ALL
- 13	AN526-632-6	Screw - Brazier head No. 6-32 x 3/8 in.	20	ALL
	AN365-632	Nut - Self locking No. 6-32	28	ALL
	AN960-6	Washer - Plain No. 6	28	ALL
- 14	B181000-1	Pin - Aileron hinge	2	ALL
- 15	18122	Pin - Aileron hinge pin safety	2	ALL
		Attaching Parts		
- 16	AN526-632-5	Screw - Brazier head No. 6-32 x 5/16 in.	2	ALL
- 17	404-181350	Aileron Assembly - LH (See Figure 5)	1	ALL

FIGURE and INDEX NUMBER	GROUP WING		Units Per Ass'y	Usage on Code
	MAJOR ASSEMBLY WING INSTALLATION Cont'd			
	PART NUMBER	1 2 3 4 5 6 7 NOMENCLATURE		
2 - 17	404-181350-630	OR Aileron Assembly - LH (use for spare part - consists of aileron assembly, hinge pin, bonding wires, and safety clip). (See Figure 5)	1	ALL
	404-181350-1	Aileron Assembly - RH (See Figure 5)	1	ALL
	404-181350-631	OR Aileron Assembly - RH (use for spare part - consists of aileron assembly, hinge pin, bonding wires, and safety clip). (See Figure 5)	1	ALL
- 18	181651	Spacer - Flap bumper	AR	ALL
- 19	404-181650	Flap Assembly - LH (See Figure 6)	1	ALL
	404-181650-1	Flap Assembly - RH (See Figure 6)	1	ALL
	111-12004-1	Flap Assy - LH (Metal) (See Figure 6A)	1	ALL
	111-12004-2	Flap Assy - RH (Metal) (See Figure 6A)	1	ALL
	Attaching Parts			
- 20	AN4-13(M)	Bolt - Aircraft 1/4 x 1-3/8 in.	6	ALL
	AN310-4	Nut - Castellated 1/4 in.	6	ALL
	AN380-2-2	Pin - Cotter 1/16 x 1/2 in.	6	ALL
	AN960-416	Washer - Plain 1/4 in.	6	ALL

Figure 3. Wing Assembly LH



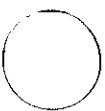
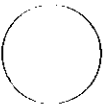
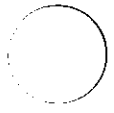


FIGURE and INDEX NUMBER	GROUP WING							Units Per Ass'y	Usage on Code		
	MAJOR ASSEMBLY		WING ASSEMBLY LH								
	PART NUMBER	1	2	3	4	5	6			7	NOMENCLATURE
3-	B18120L								Wing Assembly - Outboard section LH (See Figure 2)	Ref	ALL
									OR		
	B18120-10-620								Wing Assembly - Outboard LH - with de-icer (use for spare part (See Figure 2))	Ref	ALL
- 1	18191-1L								Rib - No. 1 wing false LH	1	ALL
- 2	18191-2L								Rib - No. 2 wing false LH	1	ALL
- 3	18191-3L								Rib - No. 3 wing false LH	1	ALL
- 4	18191-4L								Rib - No. 4 wing false LH	1	ALL
- 5	18181L								Rib - Wing root LH	1	ALL
									Attaching Parts		
- 6	AN3-6A								Bolt - Aircraft No. 10-32 x 3/4 in.	8	ALL
- 7	AN3-5A								Bolt - Aircraft No. 10-32 x 5/8 in.	8	ALL
	AN960-10								Washer - Plain No. 10	16	ALL
	AN365-1032								Nut - Self locking No. 10-32	16	ALL
- 8	18182L								Rib Assembly - No. 2 wing section LH	1	ALL
- 9	18183L								Rib Assembly - No. 3 wing section LH	1	ALL
-10	18184L								Rib Assembly - No. 4 wing section LH	1	ALL
-11	18185L								Rib Assembly - No. 5 wing section LH	1	ALL
-12	18186L								Rib Assembly - No. 6 wing section LH	1	ALL
-13	18187L								Rib Assembly - No. 7 wing section LH	1	ALL
-14	18188L								Rib Assembly - No. 8 wing section LH	1	ALL
-15	18189L								Rib Assembly - No. 9 wing section LH	1	ALL
-16	18190L								Rib Assembly - No. 10 wing section LH	1	ALL
-17	18143L								Spar Assembly - Wing inner rear LH	1	ALL
-18	18142L								Spar Assembly - Wing outer front LH	1	ALL
-19	181410L								Spar Assembly - Wing inner front LH	1	ALL
	181417								Bushing	2	ALL
-20	18143-9								Spar Assembly - Wing outer rear LH	1	ALL
-21	18734L								Bracket - Aileron pulley LH	1	ALL
									Attaching Parts		
-22	AN3-4								Bolt - Aircraft No. 10-32 x 1/2 in.	2	ALL
	AN310-3								Nut - Castellated No. 10-32	2	ALL
	AN360-10								Washer	2	ALL
	AN380-2-2								Pin - Cotter 1/16 x 1/2 in.	2	ALL
-23	18162-3L								Hinge Assembly - Flap LH	1	ALL
-24	SIK-5								Bearing - Flap hinge (FAF)	1	ALL
-25	181218								Boot - Aileron tab control LH only	1	ALL
-26	181217								Plate - Aileron tab control boot LH only	1	ALL
	181202								Plate - Aileron tab control boot	1	ALL
	181270								Door Installation - Wing inspection	1	ALL
-27	181272								Door - Wing inspection	1	ALL
	181260L								Door Installation - Wing inspection front LH	1	ALL
-28	181262L								Door - Wing inspection front LH	1	ALL
	181250L								Door Installation - Wing inspection rear LH	1	ALL

FIGURE and INDEX NUMBER	GROUP WING							Units Per Ass'y	Usage on Code	
	MAJOR ASSEMBLY WING ASSEMBLY LH Cont'd.									
	PART NUMBER	1	2	3	4	5	6 7			NOMENCLATURE
3 - 29	181252L							Door - Wing inspection rear LH	1	ALL
	181280L							Door Installation - Aileron cable LH	1	ALL
- 30	181280-4L							Door - Aileron cable inspection LH	1	ALL
								Attaching Parts		
- 31	AN507-832-7							Screw - Flat head No. 8-32 x 7/16 in.	14	ALL
- 32	4707-4-10							Drive Assembly - 90-degree LH (BC)	1	ALL
- 33	18120-76							Cover - Inspection door	1	ALL
								Attaching Parts		
- 34	AN526-832-7							Screw - Truss head No. 8-32 x 7/16 in.	12	ALL
- 35	814-180939							Lag - Tie Down	1	ALL
								Attaching Parts		
- 36	AN526-1032-10							Screw - Truss head No. 10-32 x 5/6 in.	6	ALL
- 37	18150L							Tip Assembly - Wing LH	1	ALL
								OR		
	18150-620							Tip Assembly - Wing LH (use for spare part - consists of wing tip, hinge, hinge pin with clip, and red position lamp).	1	ALL
								Attaching Parts		
- 38	AN526-832-6							Screw - Brazier head No. 8-32 x 3/8 in.	9	ALL
- 39	AN526-832-7							Screw - Brazier head No. 8-32 x 7/16 in.	51	ALL
- 40	181501L							Bracket Installation - Wing tip position light LH	1	ALL
- 41	181502							Half-Hinge - Wing tip attaching	1	ALL
- 42	181205							Half-Hinge - Wing tip attaching		
								Attaching Parts		
- 43	18120-73							Wire .085 - 6-1/4 in. long AN-W-23	1	ALL
- 44	181201							Clip Piano wire hinge	1	ALL
- 45	AN526-832							Screw - Brazier head No. 8-32 x 7/16	1	ALL
- 46	181317L							Half-Hinge - Aileron LH	1	ALL



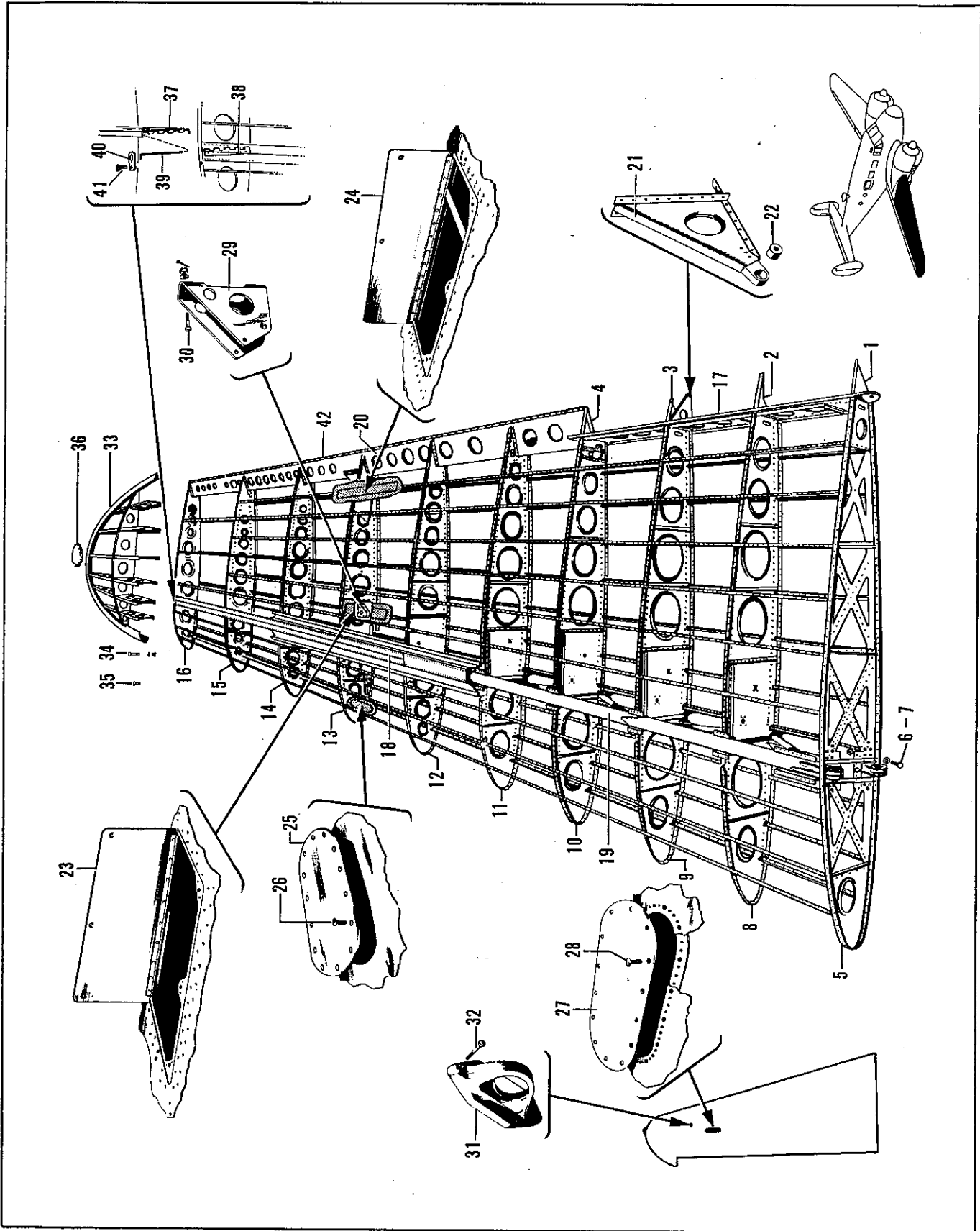


Figure 4. Wing Assembly RH



FIGURE and INDEX NUMBER	GROUP WING							Units Per Ass'y	Usage on Code	
	MAJOR ASSEMBLY WING ASSEMBLY RH									
	PART NUMBER	1	2	3	4	5	6 7			NOMENCLATURE
4 -	B18120R							Wing Assembly - Outboard section RH (See Figure 2)	Ref	ALL
								OR		
	B18120-11-621							Wing Assembly - Outboard RH - with de-icer (use for spare part)(See Figure 2)	Ref	ALL
- 1	18191-1R							Rib - No. 1 wing false RH	1	ALL
- 2	18191-2R							Rib - No. 2 wing false RH	1	ALL
- 3	18191-3R							Rib - No. 3 wing false RH	1	ALL
- 4	18191-4R							Rib - No. 4 wing false RH	1	ALL
- 5	18181R							Rib - Wing root RH	1	ALL
								Attaching Parts		
- 6	AN3-6A							Bolt - Aircraft No. 10-32 x 3/4 in.	8	ALL
- 7	AN3-5A							Bolt - Aircraft No. 10-32 x 5/8 in.	8	ALL
	AN960-10							Washer - Plain No. 10	16	ALL
	AN365-1032							Nut - Self locking No. 10-32	16	ALL
- 8	18182R							Rib Assembly - No. 2 wing section RH	1	ALL
- 9	18183R							Rib Assembly - No. 3 wing section RH	1	ALL
- 10	18184R							Rib Assembly - No. 4 wing section RH	1	ALL
- 11	18185R							Rib Assembly - No. 5 wing section RH	1	ALL
- 12	18186R							Rib Assembly - No. 6 wing section RH	1	ALL
- 13	18187R							Rib Assembly - No. 7 wing section RH	1	ALL
- 14	18188R							Rib Assembly - No. 8 wing section RH	1	ALL
- 15	18189R							Rib Assembly - No. 9 wing section RH	1	ALL
- 16	18190R							Rib Assembly - No. 10 wing section RH	1	ALL
- 17	18143R							Spar Assembly - Wing inner rear RH	1	ALL
- 18	18142R							Spar Assembly - Wing outer front RH	1	ALL
- 19	181410R							Spar Assembly - Wing inner front RH	1	ALL
	181417							Bushing	2	ALL
- 20	18143-10							Spar Assembly - Wing outer rear RH	1	ALL
- 21	18162-3R							Hinge Assembly - Flap RH	1	ALL
- 22	SIK-5							Bearing - (FAF)	1	ALL
	181260R							Door Installation - Wing inspection front RH	1	ALL
- 23	181262R							Door - Inspection front RH	1	ALL
	181250R							Door Installation - Wing inspection rear RH	1	ALL
- 24	181252-1							Door - Wing inspection rear RH	1	ALL
	181280R							Door Installation - Aileron cable inspection RH	1	ALL
- 25	181280-4R							Door - Aileron cable inspection RH	1	ALL
								Attaching Parts		
- 26	AN507-832-10							Screw - Flap head No. 8-32 x 7/16 in.	14	ALL
- 27	18120-76R							Cover - Inspection door	1	ALL
								Attaching Parts		
- 28	AN526-832-7							Screw - Brazier head No. 8-32 x 7/16 in.	12	ALL
- 29	18734R							Bracket - Aileron pulley RH	1	ALL
								Attaching Parts		
- 30	AN3-4							Bolt - Aircraft No. 10-32 x 1/2 in.	2	ALL

Part 2  
Group Assembly Part List

EO 05-45B-4

FIGURE and INDEX NUMBER	GROUP WING							Units Per Ass'y	Usage on Code		
	MAJOR ASSEMBLY WING ASSEMBLY RH Cont'd										
	PART NUMBER	1	2	3	4	5	6			7	NOMENCLATURE
4 - 30	AN310-3								Nut - Castellated No. 10-32	2	ALL
	AN360-10								Washer	2	ALL
	AN380-2-2								Pin - Cotter 1/16 x 1/2 in.	2	ALL
- 31	814-180939-1								Lug - Tie down	1	ALL
									Attaching Parts		
- 32	AN526-1032-10								Screw - Brazier head No. 10-32 x 5/8 in.	6	ALL
- 33	18150-25								Tip Assembly - Wing RH	1	ALL
									OR		
	18150-623								Tip Assembly - Wing RH (use for spare part - consists of wing tip, hinge, hinge pin with clip, and green position lamp).	1	ALL
									Attaching Parts		
- 34	AN526-832-6								Screw - Brazier head No. 8-32 x 3/8 in.	9	ALL
- 35	AN526-832-7								Screw - Brazier head No. 8-32 x 7/16 in.	51	ALL
- 36	181501R								Bracket Installation - Wing tip position light RH	1	ALL
- 37	181502								Half-Hinge - Wing Tip Attaching	1	ALL
- 38	181205								Half-Hinge - Wing tip attaching	1	ALL
									Attaching Parts		
- 39	18120-73								Wire .085 - 6-1/4 in. long AN-W-23	1	ALL
- 40	181201								Clip piano wire hinge	1	ALL
- 41	AN526-832								Screw - Brazier head No. 8-32 x 7/16	1	ALL
- 42	181317RH								Half-Hinge - Aileron RH	1	ALL



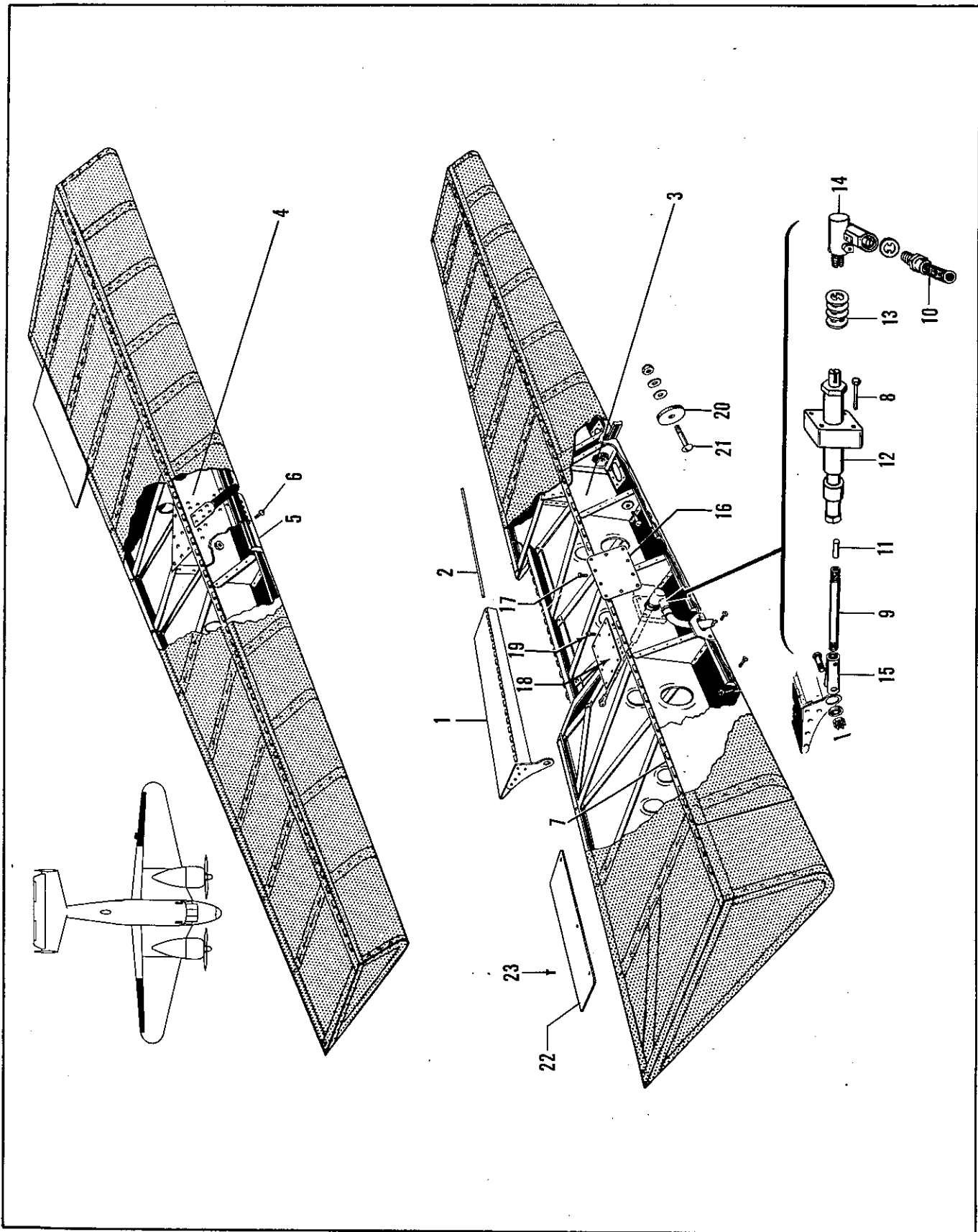


Figure 5. Covered Aileron Assembly

FIGURE and INDEX NUMBER	GROUP WING							Units Per Ass'y	Usage on Code	
	MAJOR ASSEMBLY COVERED AILERON ASSEMBLY									
	PART NUMBER	1	2	3	4	5	6 7			NOMENCLATURE
5 -	404-181350							Aileron Assembly - Covered LH (See Figure 2) OR	Ref	ALL
	404-181350-630							Aileron Assembly - LH (use for spare part) (See Figure 2)	Ref	ALL
	404-181350-1							Aileron Assembly - Covered RH (See Figure 2) OR	Ref	ALL
	404-181350-631							Aileron Assembly - RH (use for spare part) (See Figure 2)	Ref	ALL
- 1	181313							Tab Assembly - LH only	1	ALL
	Attaching Parts									
- 2	105774-C-085 -03100							Pin - Aileron tab LH only	1	ALL
	181315-1							Hinge - Aileron tab half -LH only	1	ALL
- 3	18130L							Aileron Assembly - LH	1	ALL
- 4	1813 OR							Aileron Assembly - RH	1	ALL
- 5	181308-1							Lead - Balancing LH only	2	ALL
	181308-2							Lead - Balancing	2	ALL
	181308-3							Lead - Balancing LH only	2	ALL
	181308-4							Lead - Balancing LH only	2	ALL
	181308-6							Lead - Balancing RH only	4	ALL
	Attaching Parts									
- 6	AN526-632-14							Screw - Brazier head No. 6-32 x 5/8 in.	AR	ALL
	AN365-632							Nut - Self locking No. 6-32	AR	ALL
- 7	181307							Hinge - Aileron LH and RH	1	ALL
	187745							Control Installation - Aileron tab LH only	1	ALL
	Attaching Parts									
- 8	AN3-11A							Bolt	4	ALL
	AN365-428							Nut	4	ALL
	AN960-10							Washer	8	ALL
- 9	187746							Rod - Aileron tab control	1	ALL
- 10	187747							Case Assembly - Aileron tab control	1	ALL
- 11	187811							Plug - Aileron tab control	1	ALL
- 12	4576-36-10							Actuator Assembly - (BC)	1	ALL
- 13	4718-1-3							Washer - (BC)	12	ALL
- 14	4584-11-20							Drive Assembly - 90 degree (BC)	1	ALL
- 15	S168							End - Rod LH only	1	ALL
	Attaching Parts									
	S124-16							Bolt (LH only)	1	ALL
	AN320-3							Nut	1	ALL
	AN380-2-2							Pin - Cotter	1	ALL
	AN960-10							Washer	1	ALL
- 16	181315-2							Hinge - Aileron half LH only	1	ALL
	181304							Door - Aileron tab inspection LH only	1	ALL
	Attaching Parts									

FIGURE and INDEX NUMBER	GROUP WING							Units Per Ass'y	Usage on Code		
	MAJOR ASSEMBLY COVERED AILERON ASSEMBLY Cont'd										
	PART NUMBER	1	2	3	4	5	6			7	NOMENCLATURE
5 - 17	AN526-632-7								Screw - Brazier head No. 6 - 32 x 7/16 in.	10	ALL
- 18	181323								Door - Aileron tab inspection rear LH only	1	ALL
									Attaching Parts		
- 19	AN526-632-7								Screw - Brazier head No. 6-32 x 7/16 in.	6	ALL
- 20	183809								Washer - Lead Balancing 12 x 1-1/2 in.	AR	ALL
									Attaching Parts		
- 21	AN526-1032-18								Screw - Brazier head No. 10-32 x 1-1/8 in.	AR	ALL
	AN970-3								Washer - Flat No. 10	AR	ALL
	AN365-1032								Nut - self locking No. 10-32	AR	ALL
- 22	181352								Tab - Stationery aileron LH and RH	1	ALL
									Attaching Parts		
- 23	AN526-632-6								Screw	4	ALL

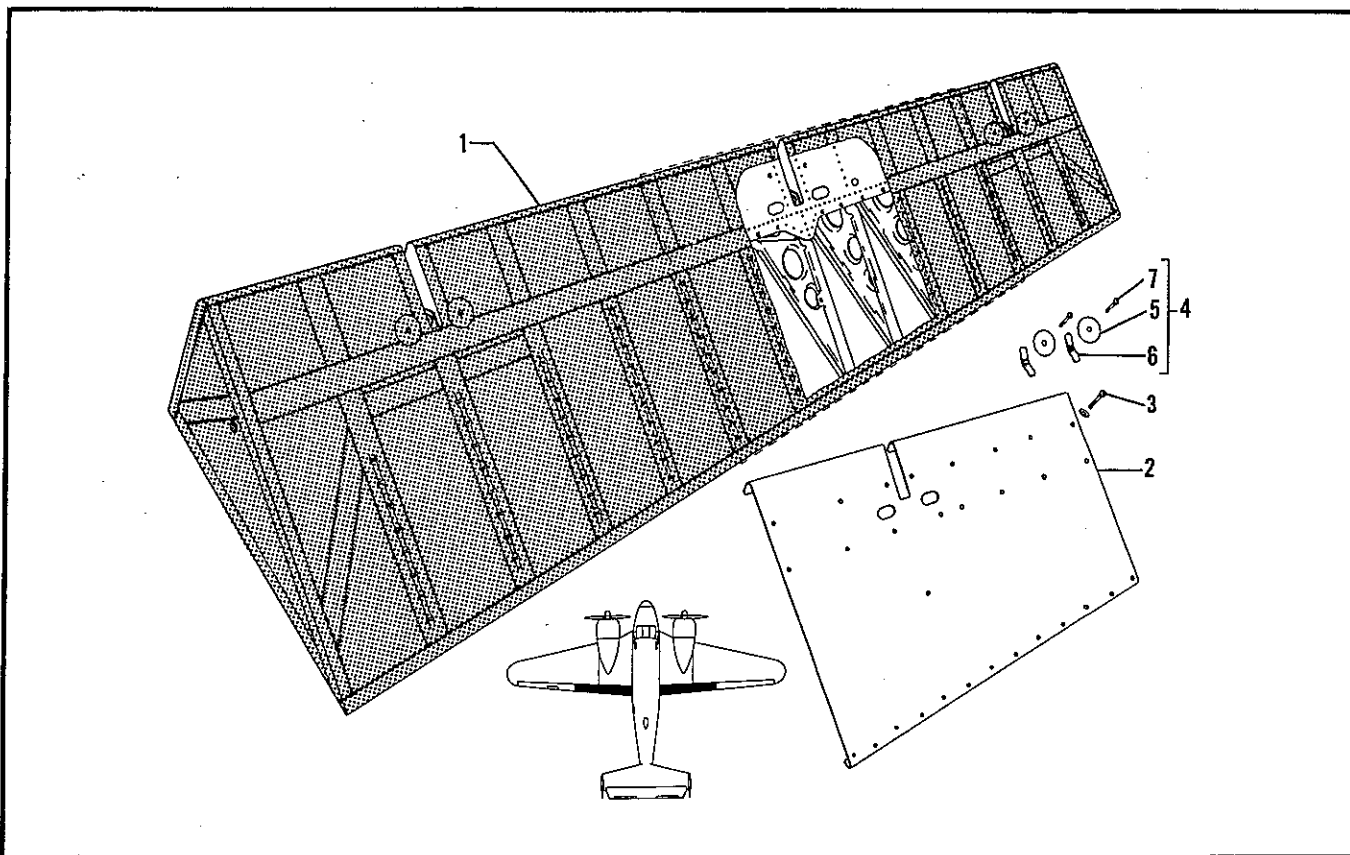


Figure 6. Covered Flap Assembly

FIGURE and INDEX NUMBER	GROUP WING							Units Per Ass'y	Usage on Code		
	MAJOR ASSEMBLY COVERED FLAP ASSEMBLY										
	PART NUMBER	1	2	3	4	5	6			7	NOMENCLATURE
6 -	404-181650								Flap Assembly - Covered LH (See Figure 2) OR	Ref	ALL
	404-181650-642								Flap Assembly - LH (use for spare part - consists of flap assembly, flap hinge bearings, and inspection hole covers)	1	ALL
	404-181650-1								Flap Assembly - Covered RH (See Figure 2) OR	Ref	ALL
	404-181650-643								Flap Assembly - RH (use for spare part - consists of flap assembly, flap hinge bearings, and inspection hole covers)	1	ALL
- 1	18160L								Flap Assembly - LH	1	ALL
	18160R								Flap Assembly - RH	1	ALL
- 2	181657								Plate Assembly - Flap protector bottom LH	1	ALL
	181657-1								Plate Assembly - Flap protector bottom RH	1	ALL
	Attaching Parts										
- 3	AN515-6-6								Screw - Brazier head No. 6-32 x 3/8 in.	39	ALL

FIGURE and INDEX NUMBER	GROUP WING		Units Per Ass'y	Usage on Code
	MAJOR ASSEMBLY COVERED FLAP ASSEMBLY Cont'd			
	PART NUMBER	1 2 3 4 5 6 7 NOMENCLATURE		
6 - 3	AN960-6	Washer	39	ALL
- 4	181659	Cover Assembly - Flap inspection hole	2	ALL
- 5	181658	Cover - Flap inspection hole	1	ALL
- 6	109629	Spring	1	ALL
	Attaching Parts:			
- 7	AN530-8-16	Screw - Round head No. 8-32 x 1 in.	1	ALL
	100801-X2-0125	Bushing	1	ALL



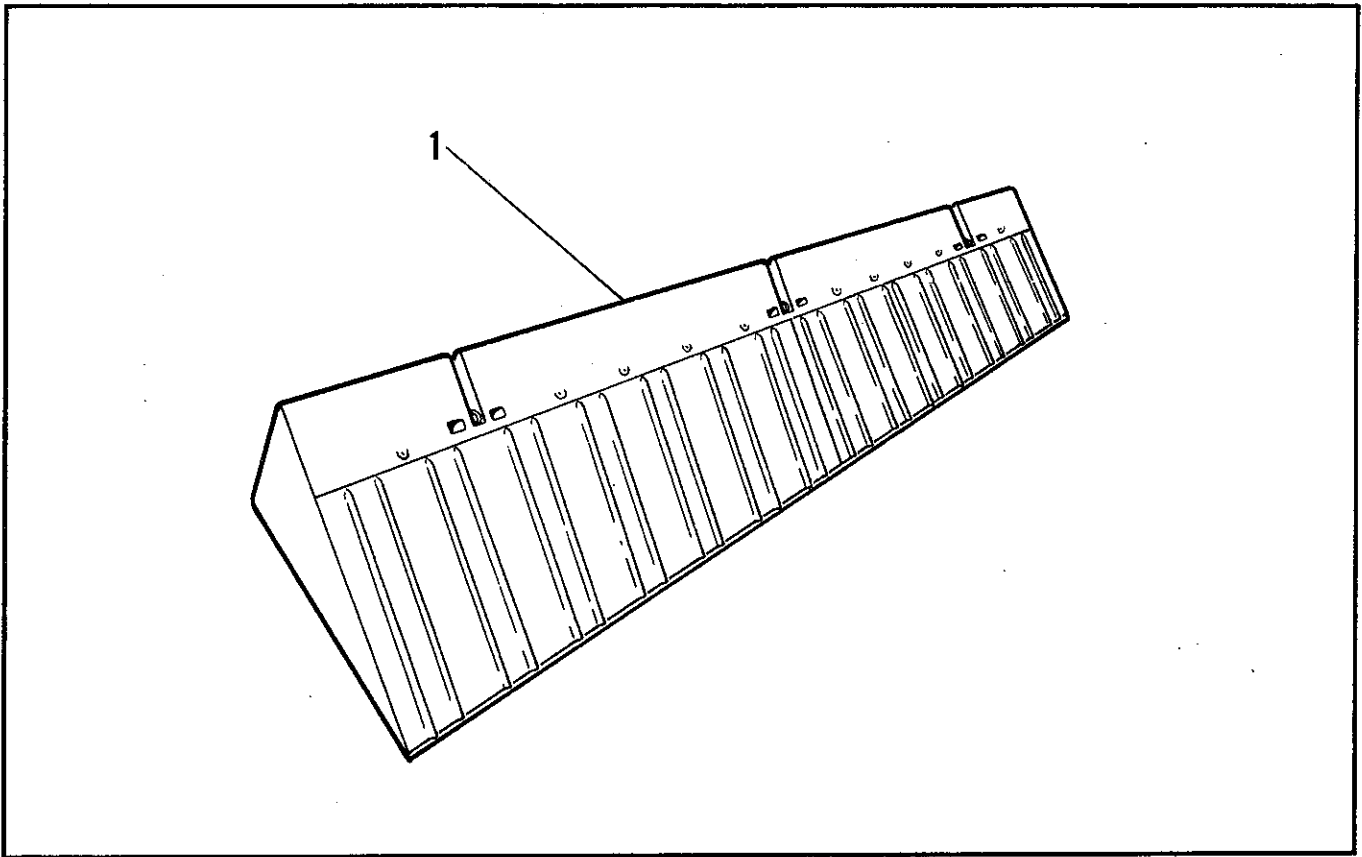


Figure 6A Metal Covered Flap Assy

FIGURE and INDEX NUMBER	GROUP . WING		Units Per Ass'y	Usage on Code
	MAJOR ASSEMBLY COVERED FLAP ASSEMBLY			
	PART NUMBER	1 2 3 4 5 6 7 NOMENCLATURE		
6A - - 1	111-12004-1	Flap Assembly - LH (see Figure 2)	1	ALL
	111-12004-2	Flap Assembly - RH (see Figure 2)	1	ALL

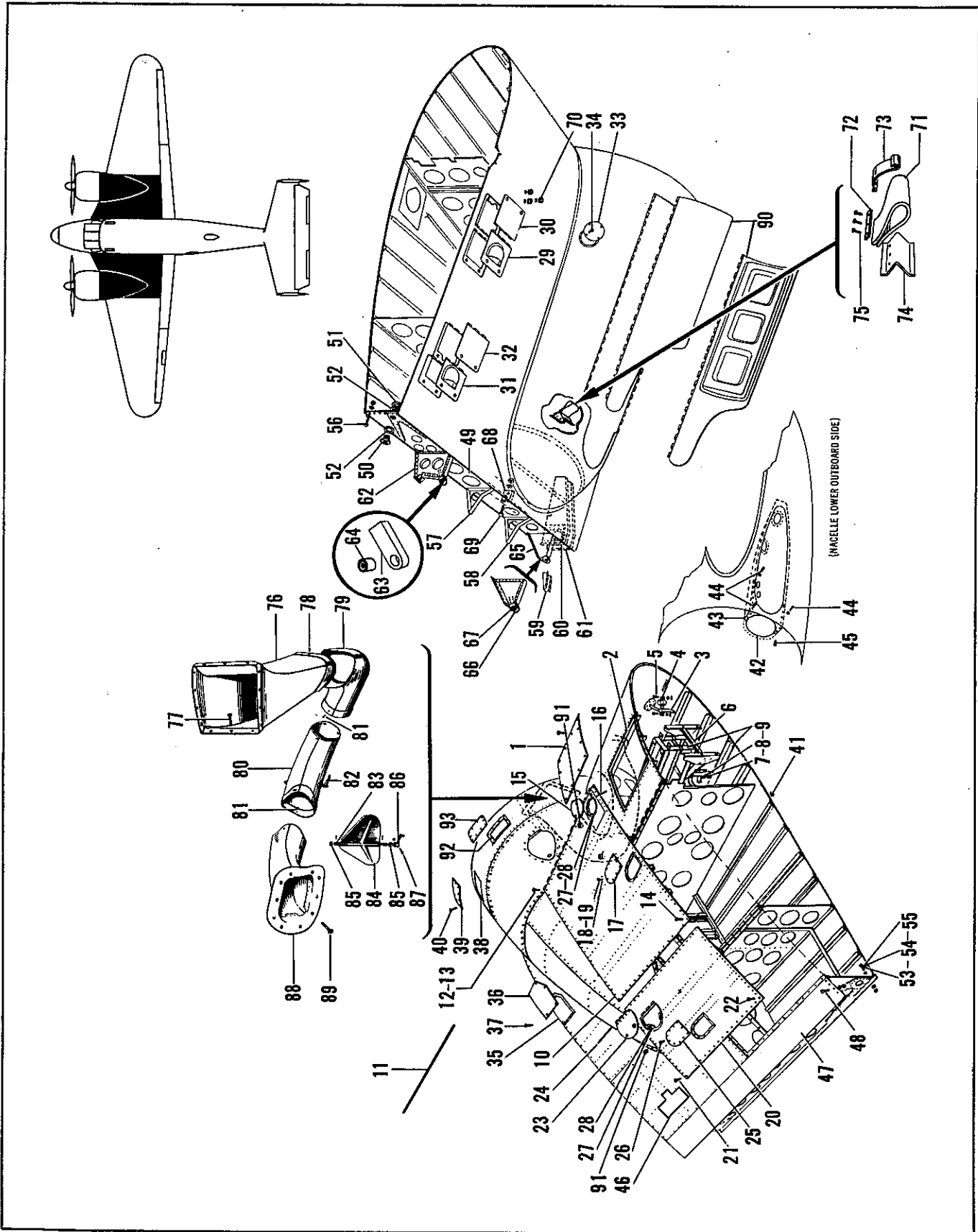


Figure 7. Center Section Wing Assembly

Figure and Index Number	Group WING							Units per Assy	Usage on Code	
	Major Assembly		CENTER SECTION WING ASSEMBLY							
	Part	1	2	3	4	5	6			7
7 -	644-181100	Wing Assembly - Center section LH (See Figure 1)							Ref	ALL
	644-181100-1	Wing Assembly - Center section RH (See Figure 1)							Ref	ALL
	644-189400	Compartment Installation - Battery LH							1	ALL
	644-189400-1	Compartment Installation - Battery RH							1	ALL
- 1	644-181106	Cover Assembly - Battery compartment LH							1	ALL
	644-181106-1	Cover Assembly - Battery compartment RH							1	ALL
	F4-30	Dzus Fastener							12	ALL
- 2	84-181107	Frame Assembly - Battery compartment opening LH							1	ALL
	84-181107-1	Frame Assembly - Battery compartment opening RH							1	ALL
- 3	181110P	Tube - Battery drain							1	ALL
- 4	184444	Clamp - Battery tube							1	ALL
		Attaching Parts								
- 5	AN3-7	Bolt - Aircraft No. 10-32 x 7/8 in.							2	ALL
	AN310-3	Nut - Castellated No. 10-32							2	ALL
	AN380-2-2	Pin - Cotter 1/16 x 1/2 in.							2	ALL
- 6	644-181105	Frame Assembly - Battery compartment LH							1	ALL
	644-181105-1	Frame Assembly - Battery compartment RH							1	ALL
- 7	104662	Clamp - Battery jar LH							1	ALL
	104662	Clamp - Battery jar RH							1	ALL
		Attaching Parts								
	AN526-6-8	Screw - Truss head No. 6-32 x 1/2 in.							2	ALL
	AN365-632	Nut - Self locking No. 6-32							2	ALL
- 8	84-181120	Pad - Battery jar							1	ALL
- 9	AF2550	Cradle - Battery (WSB)							1	ALL
- 10	181149	Cover Assembly - Main fuel tank LH							1	ALL
	181152-3	LH - Hinge LH								
	181149-1	Cover Assembly - Main fuel tank RH							1	ALL
	181152-3	RH - Hinge RH								
		Attaching Parts								
- 11	105774-C-085	Pin - Hinge							1	ALL
	-03600									
- 12	AN526-6-8	Screw - Truss head No. 8-32 x 3/8 in.							20	ABC
- 13	AN526-8-7	Screw - Truss head No. 8-32 x 7/16 in.							25	ABC
	AN526-8-10	Screw - Truss head No. 8-32 x 5/8 in.							28	ABC
- 14	AN526-8-8	Screw - Truss head							70	D
	S219	Nut - Self-locking							AR	ALL
- 15	181159	Door Assembly - Filler neck cover							1	ALL
		Attaching Parts								
- 16	105774-C-063	Pin - Hinge							1	ALL
	-00304									
- 17	181157L	Cover Assembly - Main tank liquidometer inspection door LH							1	ALL
	181157R	Cover Assembly - Main tank liquidometer inspection door RH							1	ALL

Part 2  
Group Assembly Part List

EO 05-45B-4

FIGURE and INDEX NUMBER	GROUP WING		Units Per Ass'y	Usage on Code
	MAJOR ASSEMBLY CENTER SECTION WING ASSEMBLY			
	PART NUMBER	1 2 3 4 5 6 7 NOMENCLATURE		
7 - 18	AN526-8-9	Attaching Parts Screw - Truss head No. 8-32 x 9/16 in.	1	ALL
- 19	AN526-8-8	Screw - Truss head No. 8-32 x 1/2 in.	6	ALL
- 20	181164	Cover Assembly - Fuel tank rear LH	1	ALL
	181164-1	Cover Assembly - Fuel tank rear RH	1	ALL
		Attaching Parts		
- 21	AN526-8-7	Screw - Truss head No. 8-32 x 7/16 in.	28	ABC
- 22	AN526-8-10	Screw - Truss head No. 8-32 x 5/8 in.	28	ABC
	AN526-8-8	Screw - Truss head	48	D
	S219	Nut - Self locking	AR	ALL
- 23	181159	Door Assembly - Filler neck cover	1	ALL
		Attaching Parts		
- 24	105774-C-063 -00304	Pin - Hinge	1	ALL
- 25	181156L	Cover Assembly - Rear tank liquidometer inspection door LH	1	ALL
	181156R	Cover Assembly - Rear tank liquidometer inspection door RH	1	ALL
		Attaching Parts		
- 26	AN526-8-7	Screw - Truss head No. 8-32 x 7/16 in.	7	ALL
- 27	181169	Flange Assembly - Wing fuel tank filler neck	4	ALL
		Attaching Parts		
- 28	AN526-8-9	Screw - Truss head No. 8-32 x 9/16 in.	12	ALL
	181174UL	Door Installation - Main fuel tank sump inspection LH	1	ALL
	181174UR	Door Installation - Main fuel tank sump inspection RH	1	ALL
- 29	181175U	Door Assembly - Main fuel tank - drain	1	ALL
- 30	181176U	Door Assembly - Main fuel tank sump inspection	1	ALL
	181185UL	Door Installation - Rear fuel tank sump inspection LH	1	ALL
	181185UR	Door Installation - Rear fuel tank sump inspection RH	1	ALL
- 31	181175U	Door Assembly - Rear fuel tank - drain	1	ALL
- 32	181178U-4	Door Assembly - Rear fuel tank sump inspection	1	ALL
- 33	181105	Cap - V-brace bolt	2	ALL
		Attaching Parts		
- 34	AN526-6-8	Screw - Truss head No. 6-32 x 1/2 in.	4	ALL
- 35	404-181161	Frame - Center section inspection door LH	1	ALL
	404-181161-1	Frame - Center section inspection door RH	1	ALL

FIGURE and INDEX NUMBER	GROUP WING							Units Per Ass'y	Usage on Code	
	MAJOR ASSEMBLY CENTER SECTION WING ASSEMBLY Cont'd.									
	PART NUMBER	1	2	3	4	5	6 7			NOMENCLATURE
7 - 36	404-181160							Door Assembly - Center section inspection LH	1	ALL
	404-181160-1							Door Assembly - Center section inspection RH	1	ALL
								Attaching Parts		
- 37	AN526-8-8							Screw - Truss head No. 8-32 x 1/2 in.	6	ALL
- 38	181125							Reinforcement Assembly - Oil solenoid inspection door LH	1	ALL
	181126							Reinforcement Assembly - Oil solenoid inspection door RH	1	ALL
- 39	181124							Door - Oil solenoid inspection LH	1	ALL
	181127							Door - Oil solenoid inspection RH	1	ALL
								Attaching Parts		
- 40	AN526-8-8							Screw - Truss head No. 8-32 x 1/2 in.	10	ALL
- 41	AN931-4-7							Grommet	1	ALL
	189214							Shroud Installation - Exhaust tail pipe LH (see Figure 1)	Ref	ALL
	189214-1							Shroud Installation - Exhaust tail pipe RH (see Figure 1)	Ref	ALL
- 42	404-189214-12L							Shroud Assembly - Exhaust tail pipe rear LH	1	ALL
	404-189214-12R							Shroud Assembly - Exhaust tail pipe rear RH	1	ALL
- 43	189567							Section Assembly - Firewall removable LH	1	ALL
	189567-1							Section Assembly - Firewall removable RH	1	ALL
								Attaching Parts		
- 44	AN526-8-8							Screw - Truss head No. 8-32 x 1/2 in.	12	ALL
- 45	AN526-8-6							Screw - Truss head No. 8-32 x 3/8 in.	4	ALL
	AN365-832							Nut - Self locking No. 8-32	2	ALL
- 46	112-11002							Cover Plate - LH (Flap Universal Servicing)	1	ALL
	112-11002-1							Cover Plate - RH (Flap Universal Servicing)	1	ALL
								Attaching Parts		
	AN526-832-8							Screw - Truss head	16	ALL
- 47	18S110-76							Skin - Trailing edge top	1	ALL
								Attaching Parts		
- 48	AN526-8-10							Screw - Truss head No. 8-32 x 5/8 in.	5	ALL
	AN960-8							Washer - Plain No. 8	5	ALL
	AN365-832							Nut - Self locking No. 8-32	5	ALL
- 49	18144L							Spar - Wing center section rear LH	1	ALL
	18144R							Spar - Wing center section rear RH	1	ALL
								Attaching Parts		
- 50	18207-1							Bolt - Wing spar hinge rear	1	ALL
- 51	18207-2							Nut - Wing spar hinge rear	1	ALL
- 52	18207-3							Washer - Wing spar hinge rear	2	ALL
- 53	AN4-7A							Bolt - Aircraft 1/4-28 x 7/8 in.	6	ALL
- 54	AN4-5A							Bolt - Aircraft 1/4-28 x 5/8 in.	1	ALL
- 55	AN4-10A							Bolt - Aircraft 1/4-28 x 1/4 in.	2	ALL
	AN960-416							Washer - Plain 1/4 in.	18	ALL
	AN365-428							Nut - Self locking 1/4-28	9	ALL

Part 2  
Group Assembly Part List

EO 05-45B-4

FIGURE and INDEX NUMBER	GROUP WING							Units Per Ass'y	Usage on Code		
	MAJOR ASSEMBLY		CENTER SECTION WING ASSEMBLY Cont'd.								
	PART NUMBER	1	2	3	4	5	6			7	NOMENCLATURE
7 - 56	AN515-8-8								Screw - Round head No. 8-32 x 1/2 in.	4	ALL
	AN960-8								Washer - Plain No. 8	8	ALL
- 57	18174-2L								Rib - False LH	1	ALL
	18174-2R								Rib - False RH	1	ALL
- 58	18174-3L								Rib - False LH	1	ALL
	18174-3R								Rib - False RH	1	ALL
- 59	18116L								Reinforcement - Flap control trailing edge LH	1	ALL
	18116R								Reinforcement - Flap control trailing edge RH	1	ALL
- 60	18265-6								Bracket Assembly - Flap control screw inboard LH	1	ALL
	18265-7								Bracket Assembly - Flap control screw inboard RH	1	ALL
- 61	18265-8								Bracket Assembly - Flap control screw outboard LH	1	ALL
	18265-9								Bracket Assembly - Flap control screw outboard RH	1	ALL
- 62	18162-1L								Hinge Assembly - Flap inboard LH	1	ALL
	18162-1R								Hinge Assembly - Flap inboard RH	1	ALL
- 63	181620								Bracket Assembly - Wide flap hinge bearing	1	ALL
- 64	SIK-5								Bearing - (FAF)	1	ALL
- 65	18162-2L								Hinge Assembly - Center flap LH	1	ALL
	18162-2R								Hinge Assembly - Center flap RH	1	ALL
- 66	181620								Bracket Assembly - Wide flap hinge bearing	1	ALL
- 67	SIK-5								Bearing - (FAF)	1	ALL
	187660L								Stop Installation - Aileron control LH	1	ALL
	187660R								Stop Installation - Aileron control RH	1	ALL
- 68	187662								Block - Aileron control	1	ALL
		Attaching Parts									
- 69	AN515-6-40								Screw - Round Head No. 6-32 x 2-1/2 in.	2	ALL
	AN960-6								Washer - Plain No. 6	2	ALL
	AN365-632								Nut - Self locking No. 6-32	2	ALL
- 70	81A16758								Plug - Rubber (Goshen Rubber Company, Goshen, Indiana)	1	ALL
- 71	824-181115								Shoe - Landing gear drag brake	1	ALL
- 72	824-181116								Plate - Landing gear drag brake attaching	1	ALL
- 73	884-181116								Spring - Landing gear drag brake	1	ALL

Figure and Index Number	Group WING							Units per Assy	Usage on Code	
	Major Assembly CENTER SECTION WING ASSEMBLY Cont'd									
	Part	1	2	3	4	5	6			7
7 - 74	824-181117	Bracket - Landing gear drag brake attaching							1	ALL
	Attaching Parts									
- 75	AN526-1032R-16	Screw							3	ALL
	AN960-10	Washer							3	ALL
	MS20426AD3-4	Rivets							6	ALL
	MS20450D12	Rivet Tubular							2	ALL
	AD20									
	NAS686A3	Nut Anchor							3	ALL
	407-189860L	Duct Installation - Oil radiator air LH							1	ALL
	407-189860R	Duct Installation - Oil radiator air RH							1	ALL

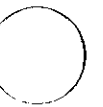




FIGURE and INDEX NUMBER	GROUP WING		1	2	3	4	5	6	7	NOMENCLATURE	Units	Usage		
	MAJOR ASSEMBLY										CENTER SECTION WING ASSEMBLY Cont'd		Per	on
	PART NUMBER										Ass'y	Code		
7 - 76	407-189863									Duct - Oil radiator air upper end LH	1	ALL		
	407-189863-1									Duct - Oil radiator air upper end RH	1	ALL		
										Attaching Parts				
- 77	AN526-8-8									Screw - Truss head No. 8-32 x 1/2 in.	14	ALL		
- 78	AN526-8-6									Screw - Truss head No. 8-32 x 3/8 in.	3	ALL		
- 79	407-189860-16									Duct Assembly - Oil radiator air LH	1	ALL		
	407-189860-15									Duct Assembly - Oil radiator air RH	1	ALL		
- 80	407-189860-20									Duct Assembly - Valve LH	1	ALL		
	407-189860-21									Duct Assembly - Valve RH	1	ALL		
										Attaching Parts				
- 81	AN526-8-6									Screw - Truss head No. 8-32 x 3/8 in.	6	ALL		
- 82	407-189862									Valve Assembly - Oil radiator air duct LH	1	ALL		
	407-189862-1									Valve Assembly - Oil radiator air duct RH	1	ALL		
- 83	189864									Shaft - Oil radiator air duct valve	1	ALL		
- 84	407-189865									Plate - Oil radiator air duct valve	1	ALL		
										Attaching Parts				
	AN515-8-12									Screw - Round head No. 8-32 x 3/4 in.	4	ALL		
	AN365-832									Nut - Self locking No. 8-32	4	ALL		
- 85	189869									Collar - Oil radiator valve thrust	2	ALL		
- 86	189863									Arm Assembly - Oil radiator air duct control	1	ALL		
										Attaching Parts				
- 87	AN3-11A									Bolt - Aircraft No. 10-32 x 1-1/8 in.	1	ALL		
	AN960-10									Washer - Plain No. 10	1	ALL		
	AN365-1032									Nut - Self locking No. 10-32	1	ALL		
- 88	407-189860-10									Duct Assembly - Oil radiator LH	1	ALL		
	407-189860-11									Duct Assembly - Oil radiator RH	1	ALL		
										Attaching Parts				
- 89	AN526-8-8									Screw - Truss head No. 8-32 x 1/2 in.	10	ALL		
- 90	404-185951									Door Installation - Landing Gear LH (see Figure 8)	Ref	ALL		
	404-185951-1									Door Installation - Landing Gear RH (see Figure 8)	Ref	ALL		
- 91	B111745									Jack - Ground (MAL)	2	ALL		
- 92	181125									Reinforcement Assembly - Oil dilution inspection door LH	2	D		
- 93	181124									Door - Oil dilution inspection LH	2	D		
	644-189300									Firewall Installation - LH (see Figure 9)	Ref	ALL		
	644-189300-1									Firewall Installation - RH (see Figure 9)	Ref	ALL		

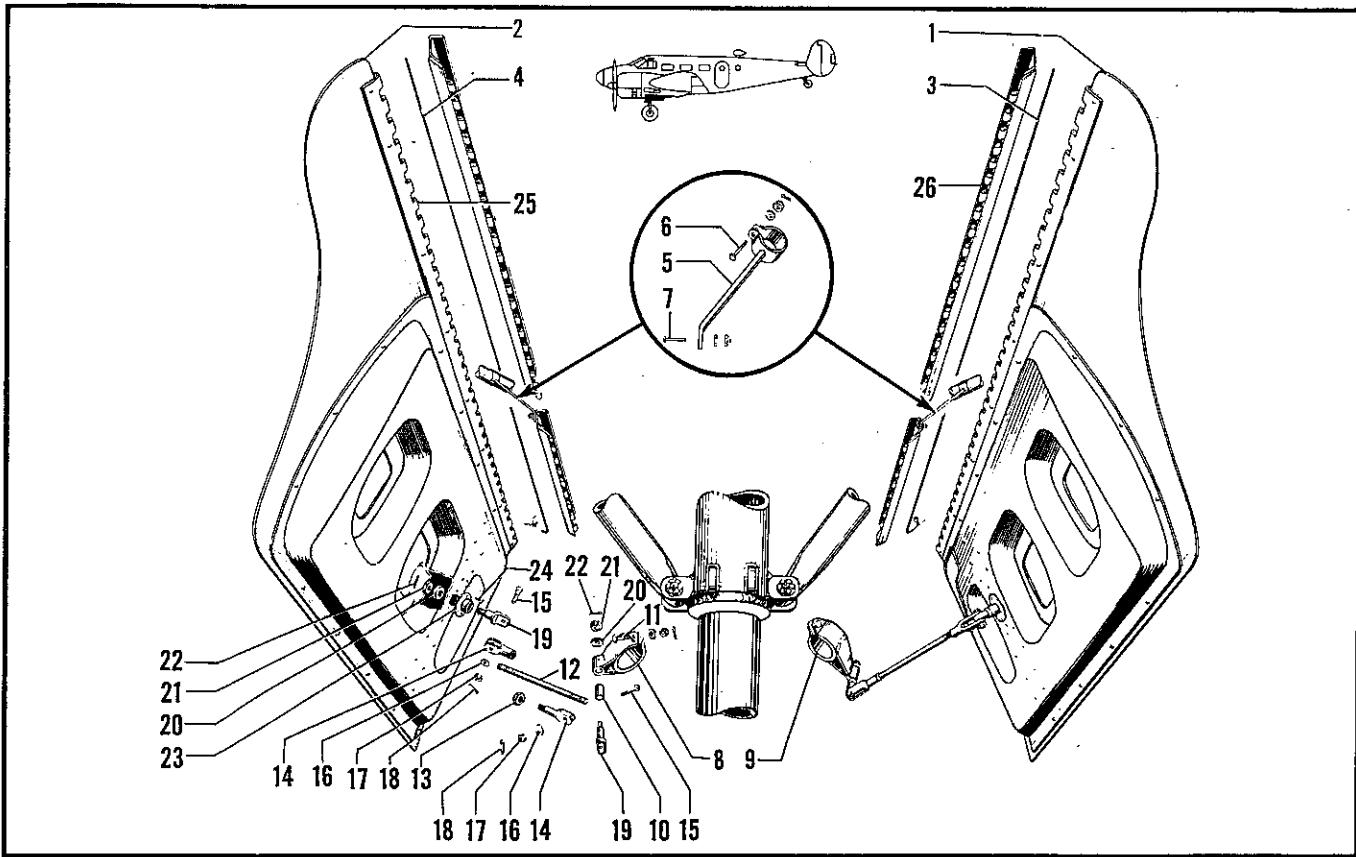
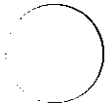


Figure 8. Landing Gear Door Installation

FIGURE and INDEX NUMBER	GROUP WING							Units Per Ass'y	Usage on Code		
	MAJOR ASSEMBLY LANDING GEAR DOOR INSTALLATION										
	PART NUMBER	1	2	3	4	5	6			7	NOMENCLATURE
8	404-185951								Door Installation - Landing gear LH (See Figure 1)	Ref	ALL
	404-185951-1								Door Installation - Landing gear RH (See Figure 1)	Ref	ALL
- 1	404-185955								Door Assembly - Landing gear inboard LH	1	ALL
									OR		
	404-185955-600								Door Assembly - Landing gear inboard LH (use for spare part - consists of door, hinge pin, rod socket and rod assembly.)	1	ALL
	804-185954-1								Door Assembly - Landing gear outboard RH	1	ALL
									OR		
	804-185954-601								Door Assembly - Landing gear outboard RH (use for spare part - consists of door, hinge pin, rod socket and rod assembly.)	1	ALL

FIGURE and INDEX NUMBER	GROUP WING		Units Per Ass'y	Usage on Code
	MAJOR ASSEMBLY LANDING GEAR DOOR INSTALLATION Cont'd			
	PART NUMBER	1 2 3 4 5 6 7 NOMENCLATURE		
8 - 2	804-185954	Door Assembly - Landing gear outboard LH OR	1	ALL
	804-185954-600	Door Assembly - Landing gear outboard LH (use for spare part - consists of door, hinge pin, rod socket and rod assembly)	1	ALL
	404-185955-1	Door Assembly - Landing gear inboard RH OR	1	ALL
	404-185955-601	Door Assembly - Landing gear inboard RH (use for spare part - consists of door, hinge pin, rod socket and rod assembly)	1	ALL
	Attaching Parts			
- 3	804-185958-1LH	Pin - Hinge - inboard LH	1	ALL
	804-185958-1RH	Pin - Hinge - inboard RH	1	ALL
- 4	804-185958-2LH	Pin - Hinge - outboard LH	1	ALL
	804-185958-2RH	Pin - Hinge - outboard RH	1	ALL
	404-184241	Support Installation - Nacelle door LH	1	ALL
	404-184241-1	Support Installation - Nacelle door RH	1	ALL
- 5	404-185808	Brace Assembly - Nacelle door outboard LH	1	ALL
	404-185808-1	Brace Assembly - Nacelle door outboard RH	1	ALL
	404-185807	Brace Assembly - Nacelle door inboard LH	1	ALL
	404-185807-1	Brace Assembly - Nacelle door inboard RH	1	ALL
	Attaching Parts			
- 6	AN3-10	Bolt - Aircraft No. 10-32 x 1 in.	1	ALL
	AN3-11	Bolt - Aircraft No. 10-32 x 1-1/8 in.	1	ALL
	AN960-10	Washer - Plain No. 10	2	ALL
	AN310-3	Nut - Castellated No. 10-32	2	ALL
	AN380-2-2	Pin - Cotter 1/16 x 1/2 in.	2	ALL
- 7	AN526-6-6	Screw - Truss head No. 6-32 x 3/8 in.	2	ALL
	AN960-6	Washer - Plain No. 6	2	ALL
	AN365-632	Nut - Self locking No. 6-32	2	ALL
- 8	3MBA4288-50L	Socket Assembly - Landing gear door link (LH outboard; RH inboard)	1	ALL
- 9	3MBA4288-50R	Socket Assembly - Landing gear door link (LH inboard; RH outboard)	1	ALL
- 10	3MBA4288-55	Bushing	1	ALL
	Attaching Parts			
- 11	AN5-15	Bolt - Aircraft No. 5/16 x 7/8 in.	2	ALL
	AN960-516	Washer - Plain No. 5/16	2	ALL
	AN310-5	Nut - Castellated 5/16-24	2	ALL
	AN380-2-3	Pin - Cotter 1/16 x 9/16 in.	2	ALL

FIGURE and INDEX NUMBER	GROUP WING		Units Per Ass'y	Usage on Code
	MAJOR ASSEMBLY LANDING GEAR DOOR INSTALLATION Cont'd			
	PART NUMBER	1 2 3 4 5 6 7 NOMENCLATURE		
8 - 12	404-185963	Rod - Nacelle door link	2	ALL
- 13	AN316-4R	Nut - Check 1/4-28	2	ALL
- 14	AN486-1	Clevis - Rod end adjustable 1/4-28	4	ALL
- 15	AN24-13	Bolt - Clevis 1/4-28 x 27/32 in.	4	ALL
- 16	AN960-416	Washer - Plain 1/4 in.	4	ALL
- 17	AN320-4	Nut - Castle shear 1/4-28	4	ALL
- 18	AN380-2-2	Pin - Cotter 1/16 x 1/2 in.	4	ALL
- 19	804-185964	Eye - Swivel base	4	ALL
- 20	AN960-10	Washer - Plain No. 10	4	ALL
- 21	AN310-3	Nut - Castellated No. 10-32	4	ALL
- 22	AN380-2-2	Pin - Cotter 1/16 x 1/2 in.	4	ALL
- 23	804-185962	Base - Landing gear door swivel	2	ALL
		Attaching Parts		
- 24	AN515-8-8	Screw - Round head No. 8-32 x 1/2 in.	12	ALL
	404-185952	Reinforcement Installation - Landing gear door cutout LH	1	ALL
	404-185952-1	Reinforcement Installation - Landing gear door cutout RH	1	ALL
- 25	804-185952-2	Hinge - Door Half-Port outer and Stbd inner	1	ALL
	804-185952-3	Hinge - Door Half-Port inner and Stbd outer	1	ALL
- 26	804-185952-4	Hinge - Nacelle Half - Port inner and stbd outer	1	ALL
	804-185952-5	Hinge - Nacelle Half - Port outer and stbd inner	1	ALL



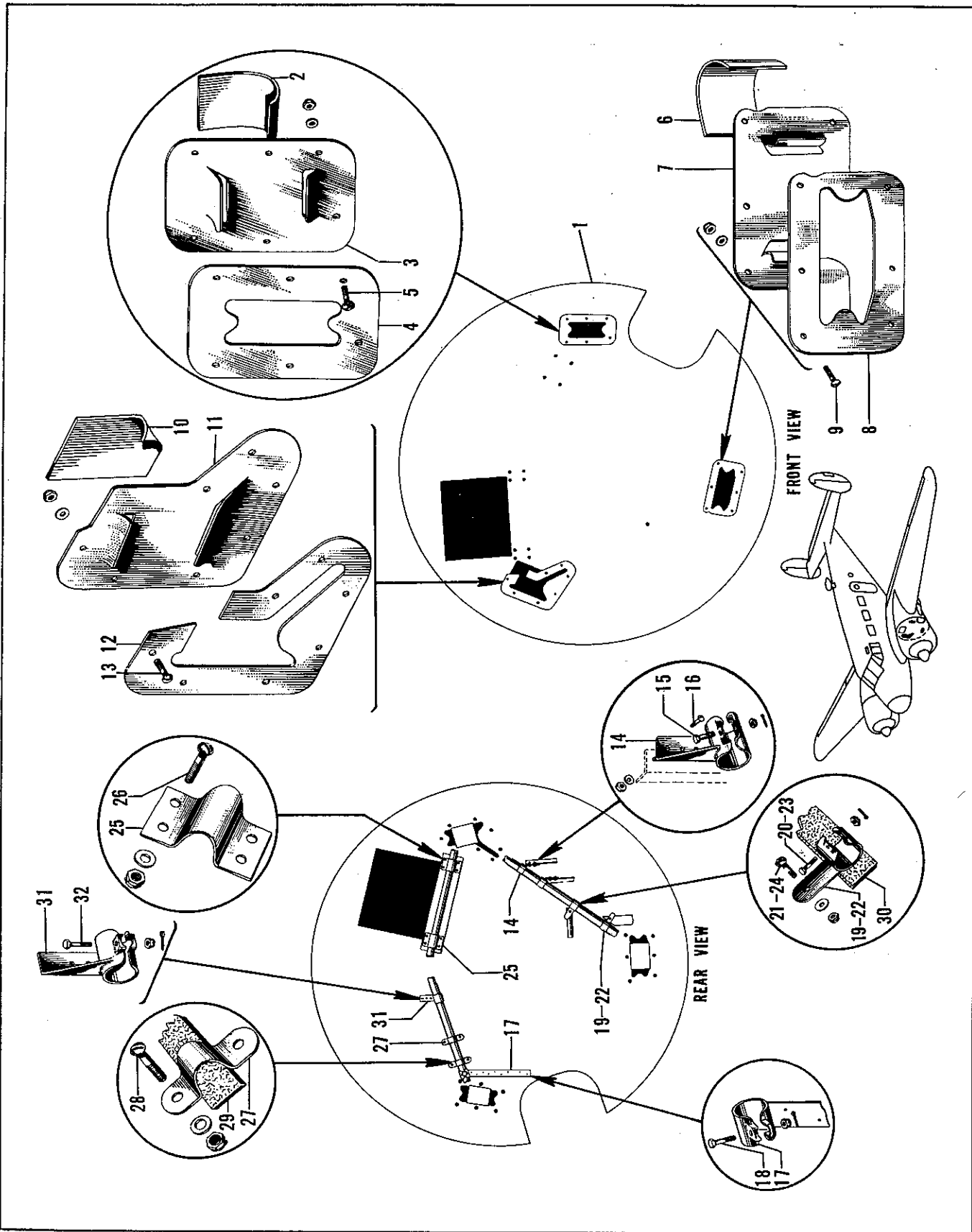


Figure 9. Firewall Installation

FIGURE and INDEX	GROUP WING							Units Per Ass'y	Usage on Code	
	MAJOR ASSEMBLY FIREWALL INSTALLATION									
	NUMBER	PART NUMBER	1	2	3	4	5 6 7			NOMENCLATURE
9 -	644-189300	Firewall Installation LH (See Figure 1)							Ref	ALL
	644-189300-1	Firewall Installation RH (See Figure 1)							Ref	ALL
- 1	644-189502	Firewall Assembly - Nacelle LH (See Figure 10)							1	ALL
	644-189502-1	Firewall Assembly - Nacelle RH (See Figure 10)							1	ALL
- 2	206248-8-0208	Pad							1	ALL
- 3	804-189502	Seal - Firewall truss opening							1	ALL
- 4	18S9502P-1	Plate - Firewall engine mount cutout reinforcement							1	ALL
	Attaching Parts									
- 5	AN526-6-6	Screw - Truss head No. 6-32 x 3/8 in.							6	ALL
	AN960-6	Washer - Plain No. 6							6	ALL
	AN365-632	Nut - Self locking No. 6-32							6	ALL
- 6	206248-8-0304	Pad							1	ALL
- 7	804-189503	Seal - Firewall truss opening							1	ALL
- 8	18S9502P-2	Plate - Firewall engine mount cutout reinforcement							1	ALL
	Attaching Parts									
- 9	AN526-6-6	Screw - Truss head No. 6-32 x 3/8 in.							6	ALL
	AN960-6	Washer - Plain No. 6							6	ALL
	AN365-632	Nut - Self locking No. 6-32							6	ALL
- 10	206248-9-0208	Pad							1	ALL
- 11	804-189504	Seal - Firewall truss opening							1	ALL
- 12	18S9502P-3	Plate - Firewall engine mount cutout reinforcement							1	ALL
	Attaching Parts									
- 13	AN526-6-6	Screw - Truss head No. 6-32 x 3/8 in.							7	ALL
	AN960-6	Washer - Plain No. 6							7	ALL
	AN365-632	Nut - Self locking No. 6-32							7	ALL
- 14	18S9532L	Bracket - Torque tube support channel LH							2	ALL
	18S9532R	Bracket - Torque tube support channel RH							2	ALL
	Attaching Parts									
- 15	AN3-7	Bolt - Aircraft No. 10-32 x 7/8 in.							2	ALL
	AN310-3	Nut - Castellated No. 10-32							2	ALL
	AN380-2-2	Pin - Cotter 1/16 x 1/2 in.							2	ALL
- 16	AN515-8-7	Screw - Round head No. 8-32 x 7/16 in.							4	ALL
	AN960-8	Washer - Plain No. 8							4	ALL
	AN365-832	Nut - Self locking No. 8-32							4	ALL
- 17	189519L	Brace Assembly - Nacelle firewall outboard LH							1	ALL
	189519R	Brace Assembly - Nacelle firewall outboard RH							1	ALL
	Attaching Parts									
- 18	AN4-10	Bolt - Aircraft 1/4-28 x 1 in.							1	ALL
	AN310-4	Nut - Castellated 1/4-28							1	ALL
	AN380-2-2	Pin - Cotter 1/16 x 1/2 in.							1	ALL
- 19	18S9518	Bracket - LH							2	ALL

FIGURE and INDEX NUMBER	GROUP WING		Units Per Ass'y	Usage on Code
	MAJOR ASSEMBLY FIREWALL INSTALLATION Cont'd			
	PART NUMBER	1 2 3 4 5 6 7 NOMENCLATURE		
9 -	Attaching Parts			
- 20	AN3-7	Bolt - Aircraft No. 10-32 x 7/8 in.	2	ALL
	AN310-3	Nut - Castellated No. 10-32	2	ALL
	AN380-2-2	Pin - Cotter 1/16 x 1/2 in.	2	ALL
- 21	AN526-832-8	Screw - Truss head No. 8-32 x 1/2 in.	2	ALL
	AN960-8	Washer - Plain No. 8	2	ALL
	AN365-832	Nut - Self locking No. 8-32	2	ALL
- 22	18S9518	Bracket - RH	1	ALL
	Attaching Parts			
- 23	AN3-7	Bolt - Aircraft No. 10-32 x 7/8 in.	1	ALL
	AN310-3	Nut - Castellated No. 10-32	1	ALL
	AN380-2-2	Pin - Cotter 1/16 x 1/2 in.	1	ALL
- 24	AN526-8-8	Screw - Truss head No. 8-32 x 1/2 in.	1	ALL
	AN960-8	Washer - Plain No. 8	1	ALL
	AN365-832	Nut - Self locking No. 8-32	1	ALL
- 25	189516	Clamp - Oil radiator firewall	2	ALL
	Attaching Parts			
- 26	AN526-1032-8	Screw - Truss head No. 10-32 x 1/2 in.	8	ALL
	AN960-10	Washer - Plain No. 10	8	ALL
	AN365-1032	Nut - Self locking No. 10-32	8	ALL
- 27	774-189506	Clamp - Firewall	2	ALL
	Attaching Parts			
- 28	AN526-832-8	Screw - Truss head No. 8-32 x 7/16 in.	4	ALL
	AN960-8	Washer - Plain No. 8	4	ALL
	AN365-832	Nut - Self locking No. 8-32	4	ALL
- 29	206248-7-0800	Pad	1	ALL
- 30	206248-7-1800	Pad	1	ALL
- 31	181131L	Clamp - Landing gear shock cord bracket upper LH	1	ALL
	181131R	Clamp - Landing gear shock cord bracket upper RH	1	ALL
	Attaching Parts			
- 32	AN4-10	Bolt - Aircraft 1/4-28 x 1 in.	1	ALL
	AN310-4	Nut - Castellated 1/4-28	1	ALL
	AN380-2-2	Pin - Cotter 1/16 x 1/2 in.	1	ALL



Faint, illegible text at the top of the page, possibly a header or title.

Main body of faint, illegible text, appearing to be several lines of a document.

Second section of faint, illegible text, continuing the document's content.

Final section of faint, illegible text at the bottom of the page.

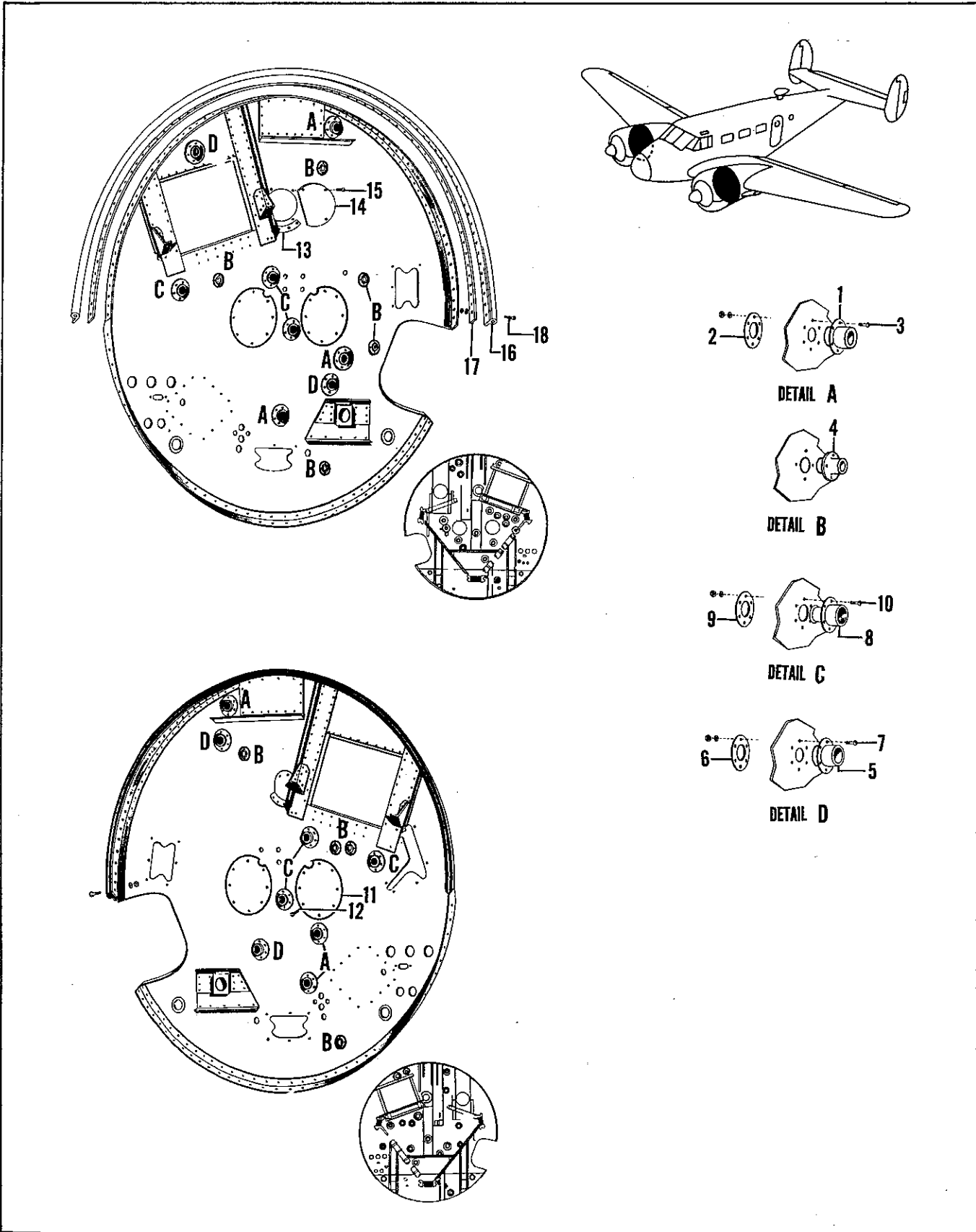


Figure 10. Nacelle Firewall Assembly LH - RH

FIGURE and INDEX NUMBER	GROUP WING		Units Per Ass'y	Usage on Code
	MAJOR ASSEMBLY NACELLE FIREWALL ASSEMBLY LH - RH			
	PART NUMBER	1 2 3 4 5 6 7 NOMENCLATURE		
10 -	644-189502	Firewall Assembly - Nacelle LH (See Figure 9)	Ref	ALL
	644-189502-1	Firewall Assembly - Nacelle RH (See Figure 9)	Ref	ALL
- 1	203886-2	Flange - Firewall connecting	3	ALL
- 2	106119	Washer - Firewall reinforcement	3	ALL
	Attaching Parts			
- 3	AN515-8-8	Screw - Round head No. 8-32 x 1/2 in.	18	ALL
	AN960-8	Washer - Plain No. 8	18	ALL
	AN365-832	Nut - Self locking No. 8-32	18	ALL
- 4	18S9774P	Flange - Firewall connecting (5LH and 4RH)	9	ALL
- 5	203886-1	Flange - Firewall connecting	2	ALL
- 6	106119	Washer - Firewall reinforcement	2	ALL
	Attaching Parts			
- 7	AN515-8-8	Screw - Round head No. 8-32 x 1/2 in.	12	ALL
	AN960-8	Washer - Plain No. 8	12	ALL
	AN365-832	Nut - Self locking No. 8-32	12	ALL
	404-189500	Parts Installation - Standard firewall LH	1	ALL
	404-189500-1	Parts Installation - Standard firewall RH	1	ALL
- 8	203886-1	Flange - Firewall connecting	3	ALL
- 9	106119	Washer - Firewall reinforcement	3	ALL
	Attaching Parts			
- 10	AN515-8-8	Screw - Round head No. 8-32 x 1/2 in.	18	ALL
	AN960-8	Washer - Plain No. 8	18	ALL
	AN365-832	Nut - Self locking No. 8-32	18	ALL
- 11	804-189501	Plate - Firewall magneto inspection	2	ALL
	Attaching Parts			
- 12	AN526-8-6	Screw - Brazier head No. 8-32 x 3/8 in.	16	ALL
- 13	189532	Retainer	1	ALL
- 14	189531	Cover - Plate	1	ALL
	Attaching Parts			
- 15	AN526-8-6	Screw - Brazier head No. 8-32 x 3/8 in.	2	ALL
- 16	S-159	Seal - Firewall stiffener	1	ALL
- 17	404-189500-13	Stiffener - Molding	1	ALL
	Attaching Parts			
- 18	AN526-6-6	Screw - Brazier head No. 6-32 x 3/8 in.	26	ALL
	AN960-6	Washer - Plain No. 6	26	ALL
	AN365-632	Nut - Self locking No. 6-32	26	ALL
	404-189500-2	Fairing - Nacelle firewall outboard LH	1	ALL
	404-189500-3	Fairing - Nacelle firewall inboard LH	1	ALL
	404-189500-20	Fairing - Nacelle firewall outboard RH	1	ALL
	404-189500-23	Fairing - Nacelle firewall inboard RH	1	ALL
	18S9504P-1	Clamp Assembly - Throttle Control	1	ALL
	18S9504P-2	Clamp Assembly - Carburetor heat control	1	ALL

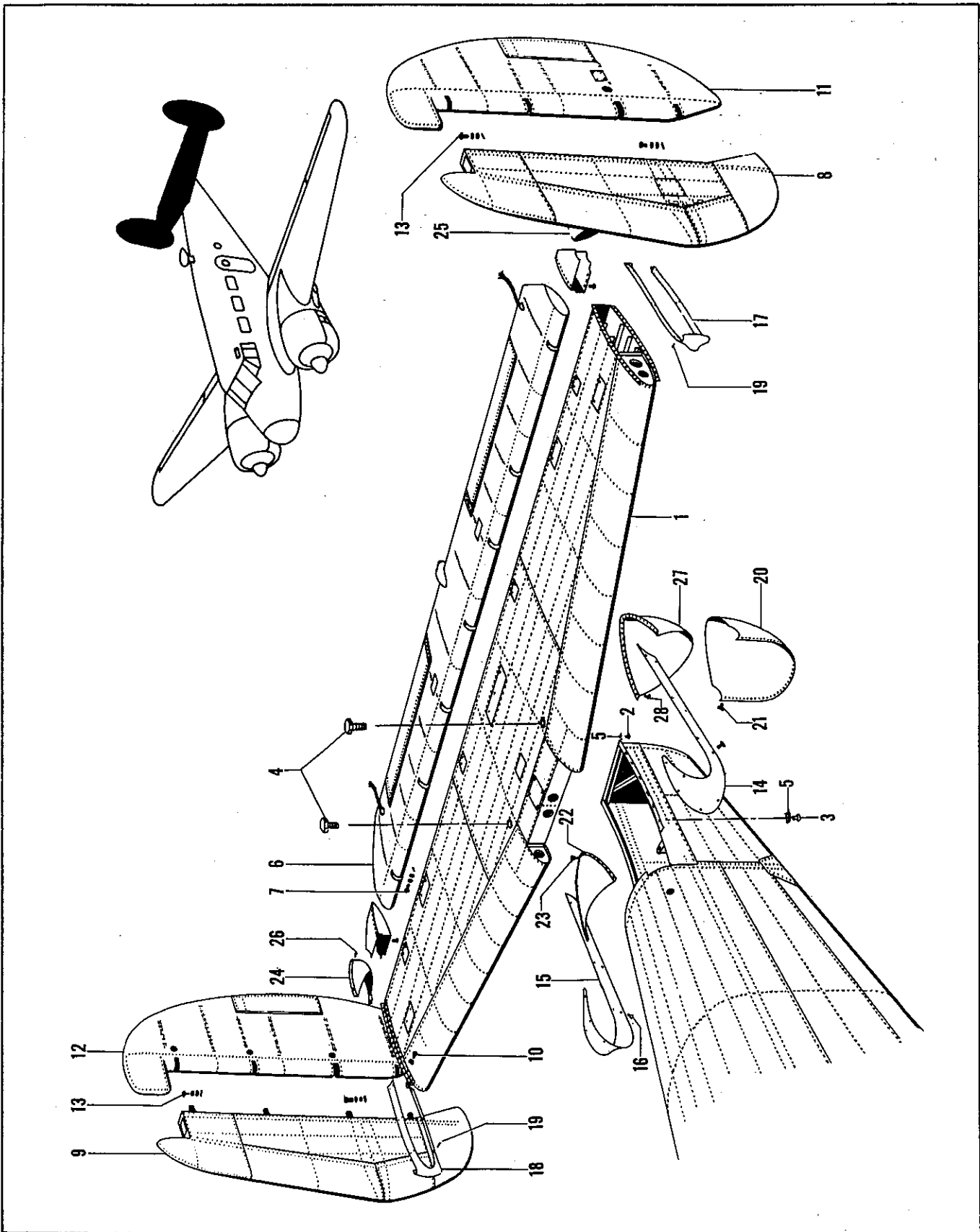


Figure 11. Tail Surface Installation

FIGURE and INDEX NUMBER	GROUP TAIL		Units Per Ass'y	Usage on Code
	MAJOR ASSEMBLY TAIL SURFACE INSTALLATION			
	PART NUMBER	1 2 3 4 5 6 7 NOMENCLATURE		
11 -	407-186000	Tail Surface Installation (See Figure 1)	Ref	ABC
- 1	404-186000	Tail Surface Installation (See Figure 1)	Ref	D
	407-186050	Stabilizer Assembly (See Figure 12)	1	ABC
		OR		
	407-186050-600	Stabilizer Assembly (use for spare part - consists of stabilizer assembly without de-icer boot plus attaching fittings and attaching parts)	1	ABC
	404-186050	Stabilizer Assembly (See Figure 12)	1	D
		OR		
	404-186050-600	Stabilizer Assembly (use for spare part - consists of stabilizer, attaching fittings and attaching parts)	1	D
		Attaching Parts		
- 2	AN502-10-10	Screw - Fillister head No. 10-32 x 5/8 in.	58	ABC
	AN502-10-10	Screw - Fillister head No. 10-32 x 5/8 in.	12	D
	AN502-10-12	Screw - Fillister head No. 10-32 x 3/4 in.	12	ABC
	AN502-10-12	Screw - Fillister head No. 10-32 x 3/4 in.	56	D
- 3	AN502-10-14	Screw - Fillister head No. 10-32 x 7/8 in.	8	D
- 4	NAS144-12	Bolt - Internal wrenching 1/4-28 x 3/4 in.	2	D
	NAS144-13	Bolt - Internal wrenching 1/4-28 x 7/8 in.	2	ABC
- 5	407-186000-12	Washer - Plain	68	ABC
	NAS143-4C	Washer	2	ABC
	AN960-416	Washer - Plain 1/4 in.	2	ABC
	12B-048	Nut - (MIM)	2	ALL
- 6	404-186175	Elevator Assembly (See Figure 13)	1	ALL
		OR		
	404-186175-600	Elevator Assembly - Covered (use for spare part - consists of elevator, elevator tabs, tab control drive mechanism, universal and inspection door)	1	ALL
		Attaching Parts		
- 7	AN4-11	Bolt - Aircraft 1/4-28 x 1/8 in.	4	ALL
	AN4-13	Bolt - Aircraft 1/4-28 x 1-3/8 in.	1	ALL
	AN960-416	Washer - Plain 1/4 in.	5	ALL
	AN310-4	Nut - Castellated 1/4-28	5	ALL
	AN380-2-2	Pin - Cotter 1/16 x 1/2 in.	5	ALL
- 8	186200L	Fin Assembly - LH (See Figure 14)	1	ALL
		OR		
	186200-600	Fin Assembly - LH (use for spare part - consists of fin, rudder tab control shaft assembly, inspection door, and attaching parts)	1	ALL
- 9	186200-19	Fin Assembly - RH (See Figure 14)	1	ABC
		OR		

Figure and Index Number	Group TAIL							Units per Assy	Usage on Code		
	Major Assembly TAIL SURFACE INSTALLATION Cont'd										
	Part	1	2	3	4	5	6			7	Nomenclature
11 - 9	186200-619								Fin Assembly - RH (use for spare part - consists of fin, rudder tab control shaft assembly, inspection door, and attaching parts)	1	ABC
	186200R								Fin Assembly - RH (see Figure 14) ATTACHING PARTS	1	D
- 10	AN502-10-10								Screw - Fillister head No. 10-32 x 5/8 in.	37	ALL
	AN960-10								Washer - Plain No. 10	37	ALL
	AN502-10-12								Screw - Fillister head No. 10-32 x 3/4 in.	2	ALL
	AN365-1032								Nut - Self locking No. 10-32	2	ALL
- 11	407-186350								Rudder Assembly - LH(see Figure 15) OR	1	ALL
	407-186350-600								Rudder Assembly - Covered LH (use for spare part - consists of rudder assembly, rudder tab and tab control mechanism)	1	ALL
	694-186350-601								Rudder Assembly - Covered LH (use for spare part consists of rudder tab and tab control mechanism) with metal covered inspection orifice.		
- 12	407-186350-1								Rudder Assembly - RH (see Figure 15) OR	1	ABC
	407-186350-605								Rudder Assembly - Covered (use for spare part - consists of rudder assembly, rudder tab and tab control mechanism) OR	1	ABC
	694-186350-602								Rudder Assembly - Covered RH (consists of rudder tab and control mechanism) with metal covered inspection orifice.		
	186350								Rudder Assembly - RH (see Figure 15) ATTACHING PARTS	1	D
- 13	AN4-12								Bolt - Aircraft 1/4-28 x 1-1/4 in.	3	ALL
	AN4-13								Bolt - Aircraft 1/4-28 x 1-3/8 in.	1	ALL
	AN310-4								Nut - Castellated 1/4-28	4	ALL
	AN380-2-2								Pin - Cotter 1/16 x 1/2 in.	4	ALL
	AN960-416								Washer - Plain 1/4 in.	5	ALL
- 14	407-186000-4								Fairing Assembly - LH	1	ALL
- 15	407-186000-5								Fairing Assembly - RH ATTACHING PARTS	1	ALL
- 16	AN526-632-6								Screw - Truss head No. 6-32 x 3/8 in.	14	ALL
- 17	186068L								Fairing Assembly - LH	1	ALL
- 18	186068R								Fairing Assembly - RH	1	ALL

Figure and Index Number	Group TAIL							Units per Assy	Usage on Code	
	Major Assembly TAIL SURFACE INSTALLATION Cont'd									
	Part	1	2	3	4	5	6 7			Nomenclature
11 -								ATTACHING PARTS		
- 19	AN526-632-6							Screw - Truss head No. 6-32 x 3/8 in.	8	ALL
- 20	404-185700							Cowling Assembly	1	ALL
								ATTACHING PARTS		
- 21	AN526-632-6							Screw - Truss head No. 6-32 x 3/8 in.	12	ALL
	AN526-632-8							Screw - Truss head No. 6-32 x 1/2 in.	4	ALL
	AN526-632-10							Screw - Truss head No. 6-32 x 5/8 in.	2	ALL
- 22	407-186000-2							Fairing Assembly	1	ALL

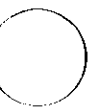




FIGURE and INDEX NUMBER	GROUP TAIL		Units Per Ass'y	Usage on Code
	MAJOR ASSEMBLY TAIL SURFACE INSTALLATION Cont'd			
	PART NUMBER	1 2 3 4 5 6 7 NOMENCLATURE		
11 -	Attaching Parts			
- 23	AN526-632-6	Screw - Truss head No. 6-32 x 3/8 in.	14	ALL
	AN526-632-8	Screw - Truss head No. 6-32 x 1/2 in.	4	ALL
- 24	186262-1	Fairing Assembly - RH	1	ALL
- 25	186262-2	Fairing Assembly - LH	1	ALL
	Attaching Parts			
- 26	AN526-632-8	Screw - Truss head No. 6-32 x 1/2 in.	10	ALL
- 27	185700-3	Fairing Assembly	1	ALL
	Attaching Parts			
- 28	AN526-632-7	Screw - Truss head No. 6-32 x 7/16 in.	8	ALL

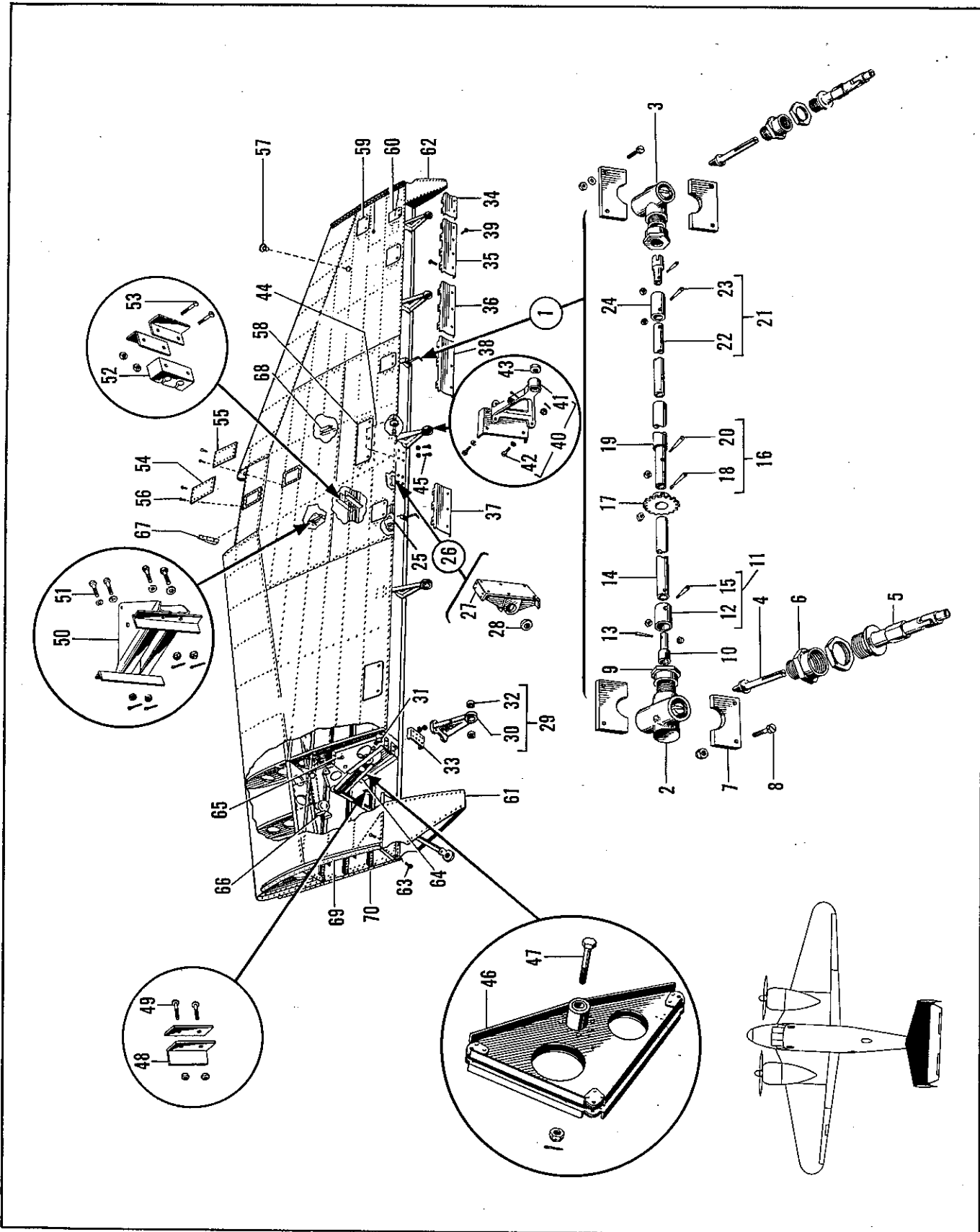


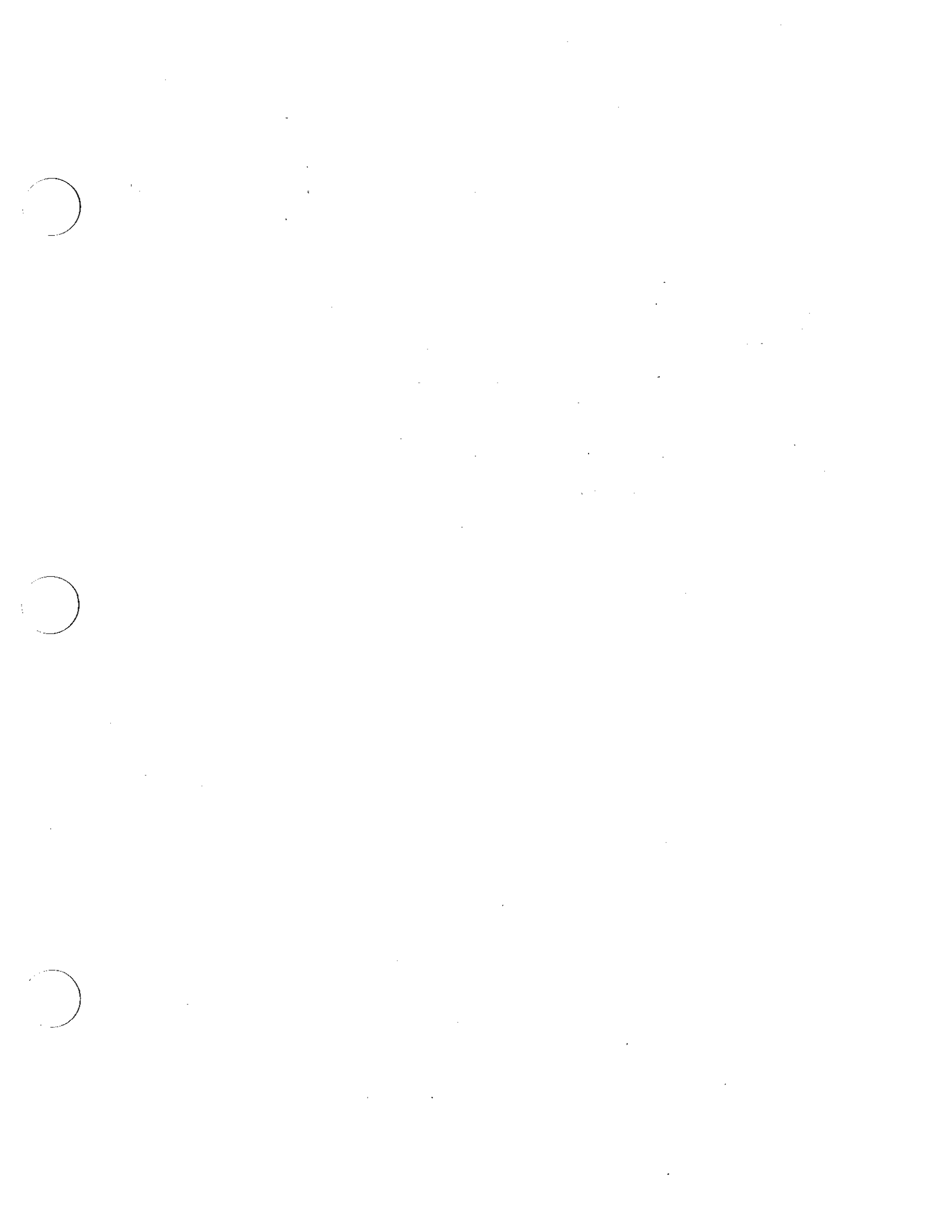
Figure 12. Stabilizer Assembly

FIGURE and INDEX NUMBER	GROUP TAIL							Units Per Ass'y	Usage on Code	
	MAJOR ASSEMBLY STABILIZER ASSEMBLY									
	PART NUMBER	1	2	3	4	5	6 7			NOMENCLATURE
12 -	407-186050							Stabilizer Assembly (See Figure 11) OR	Ref	ABC
	407-186050-600							Stabilizer Assembly (use for spare part - See Figure 11)	Ref	ABC
	404-186050							Stabilizer Assembly (See Figure 11) OR	Ref	D
	404-186050-600							Stabilizer Assembly (use for spare part - See Figure 11)	Ref	D
- 1	186050A-26							Shaft Assembly - Elevator tab control	1	ALL
	187690L							Tab Installation - Elevator torque drive LH	1	ALL
	187690R							Tab Installation - Elevator torque drive RH	1	ALL
- 2	4584-11-60							Drive Assembly - Elevator tab 90-degree LH (BC)	1	ALL
- 3	4584-11-10							Drive Assembly - Elevator tab 90-degree RH (BC)	1	ALL
- 4	187691							Shaft - Elevator tab	2	ALL
- 5	187715							Drive - Tab mechanism	2	ALL
- 6	187693							Nut - Elevator tab control connector	2	ALL
- 7	187783							Reinforcement - Elevator tab 90-degree drive	4	ALL
								Attaching Parts		
- 8	AN526-832-8							Screw - Truss head No. 8-32 x 1/2 in.	2	ALL
	AN365-832							Nut - Self locking No. 8-32	2	ALL
	AN960-8							Washer - Plain No. 8	2	ALL
- 9	187694							Nut - Elevator tab control drive end cover	2	ALL
- 10	187692							Fitting - Elevator tab control torque tube	2	ALL
- 11	187719-6							Shaft Assembly - Elevator tab control torque	1	ALL
- 12	187719-3							Coupling - Elevator tab control torque tube	1	ALL
								Attaching Parts		
- 13	187714-1							Pin - Tab control shaft	2	ALL
	AN365-440							Nut - Self locking No. 4-40	2	ALL
- 14	187719-7							Shaft - Elevator tab control torque	1	ALL
								Attaching Parts		
- 15	187714-1							Pin - Tab control shaft	1	ALL
	AN365-440							Nut - Self locking No. 4-40	1	ALL
- 16	187719-4							Shaft Assembly - Elevator tab control torque	1	ALL
- 17	187735-1							Sprocket - Elevator tab control	1	ALL
								Attaching Parts		
- 18	187714-4							Pin - Tab control shaft	1	ALL
	AN365-440							Nut - Self locking No. 4-40	1	ALL
- 19	187719-5							Shaft - Elevator tab control torque	1	ALL
								Attaching Parts		
- 20	187714-4							Pin - Tab control shaft	1	ALL
	AN365-440							Nut - Self locking No. 4-40	1	ALL

FIGURE and INDEX NUMBER	GROUP TAIL							Units Per Ass'y	Usage on Code	
	MAJOR ASSEMBLY STABILIZER ASSEMBLY Cont'd									
	PART NUMBER	1	2	3	4	5	6 7			NOMENCLATURE
12 - 21	187719-1							Shaft Assembly - Elevator tab control torque	1	ALL
- 22	187719-2							Shaft - Elevator tab control torque tube	1	ALL
		Attaching Parts								
- 23	187714-1							Pin - Tab control shaft	1	ALL
	AN365-440							Nut - Self locking No. 4-40	1	ALL
- 24	187719-3							Coupling - Elevator tab control torque tube	1	ALL
- 25	186083							Support - Elevator torque drive	2	ALL
- 26	186056							Bracket Assembly - Elevator tab control bearing	1	ALL
- 27	186056-1							Bracket - Elevator tab control	1	ALL
- 28	AN201-K6A							Bearing	1	ALL
- 29	186060							Hinge Assembly - Male elevator outboard	4	ALL
- 30	186060-1							Bracket - Male elevator hinge outboard	1	ALL
		Attaching Parts								
- 31	AN3-7A							Bolt - Aircraft No. 10-32 x 7/8 in.	4	ALL
	AN365-1032							Nut - Self locking No. 10-32	4	ALL
	AN960-10							Washer - Plain No. 10	8	ALL
- 32	AN200KP4							Bearing	1	ALL
- 33	186057							Reinforcement - Stabilizer	5	ALL
- 34	186070							Strip Assembly - Elevator gap fairing outboard LH - RH	2	ALL
- 35	186071							Strip Assembly - Elevator gap fairing outboard LH - RH	2	ALL
- 36	186072							Strip Assembly - Elevator gap fairing inboard LH - RH	2	ALL
- 37	414-186050-47							Strip Assembly - Elevator gap fairing center LH	1	ALL
- 38	186074							Strip Assembly - Elevator gap fairing center	1	ALL
		Attaching Parts								
- 39	AN505-6-6							Screw - Fillister head No. 6-32 x 3/8 in.	24	ALL
	AN526-632-9							Screw - Truss head No. 6-32 x 9/16 in.	24	ALL
- 40	186061							Hinge Assembly - Elevator center male	1	ALL
- 41	186061-2							Bracket - Male elevator hinge center	1	ALL
		Attaching Parts								
- 42	AN3-7(M)							Bolt - Aircraft No. 10-32 x 7/8 in.	4	ALL
	AN960-10							Washer - Plain No. 10	8	ALL
	AN365-1032							Nut - Self locking No. 10-32	4	ALL
- 43	D4							Bearing - (FAF)	1	ALL
- 44	186051-3							Bracket Assembly - Stabilizer pulley	1	ALL
		Attaching Parts								
- 45	AN3-4A							Bolt - Aircraft No. 10-32 x 1/2 in.	2	ALL
	AN3-5A							Bolt - Aircraft No. 10-32 x 5/8 in.	4	ALL
	AN365-1032							Nut - Self locking No. 10-32	6	ALL
	AN960-10							Washer - Plain No. 10	12	ALL
- 46	186170							Bellcrank - Rudder control	2	ALL

FIGURE and INDEX NUMBER	GROUP TAIL							Units Per Ass'y	Usage on Code	
	MAJOR ASSEMBLY STABILIZER ASSEMBLY Cont'd									
	PART NUMBER	1	2	3	4	5	6 7			NOMENCLATURE
12	Attaching Parts									
- 47	AN4-26(M)							Bolt - Aircraft 1/4-28 x 2-3/4 in.	1	ALL
	AN310-4							Nut - Castellated 1/4-28	1	ALL
	AN380-2-2							Pin - Cotter 1/16 x 1/2 in.	1	ALL
- 48	186037							Bumper - Rudder bellcrank stop	2	ALL
	Attaching Parts									
- 49	AN515-6-8							Screw - Round head No. 6-32 x 1/2 in.	2	ALL
- 50	407-186083-1							Bracket - Rudder tab control pulley	1	ABC
	407-186060							Bracket - Rudder tab control pulley	1	ABC
	186043							Bracket - Rudder tab control pulley	2	D
	Attaching Parts									
- 51	AN3-4							Bolt - Aircraft No. 10-32 x 1/2 in.	4	ALL
	AN365-1032							Nut - Self locking No. 10-32	4	ALL
	AN960-10							Washer - Plain No. 10	4	ALL
	407-187695							Stop Installation - Rudder tab control	1	ABC
	187695							Stop Installation - Rudder tab control	2	D
- 52	407-187689							Block - Rudder tab control stop	1	ABC
	187689							Block - Rudder tab control stop	1	D
	Attaching Parts									
- 53	AN526-632-20							Screw - Truss head No. 6-32 x 1-1/4 in.	2	ALL
	AN365-632							Nut - Self locking No. 6-32	2	ALL
- 54	694-186040-1							Door - Stabilizer inspection	1	ALL
- 55	694-186040-2							Door - Stabilizer inspection	1	ABC
	186040-2							Door - Stabilizer inspection	1	D
	Attaching Parts									
- 56	AN526-832-8							Screw - Truss head No. 8-32 x 1/2 in.	16	ALL
- 57	81A16758							Plug - (FOR)	2	ALL
- 58	186046							Plate Assembly - Stabilizer rudder cable inspection	1	ALL
- 59	186047							Plate Assembly - Stabilizer rudder cable and tab inspection	4	ALL
- 60	186048							Plate Assembly - Rudder ballcrank inspection	4	ALL
- 61	186033							Box Assembly - Rudder horn LH	1	ALL
- 62	186033-1							Box Assembly - Rudder horn RH	1	ALL
	Attaching Parts									
- 63	AN526-832-6							Screw - Truss head No. 8-32 x 3/8 in.	3	ALL
	AN526-832-8							Screw - Truss head No. 8-32 x 1/2 in.	3	ALL
- 64	186036							Bracket - Support bellcrank stabilizer LH	2	ALL
	186036-1							Bracket - Support bellcrank stabilizer RH	2	ALL
	Attaching Parts									
- 65	AN3-4A							Bolt - Aircraft No. 10-32 x 1/2 in.	2	ALL

FIGURE and INDEX NUMBER	GROUP TAIL		Units Per Ass'y	Usage on Code
	MAJOR ASSEMBLY STABILIZER ASSEMBLY Cont'd			
	PART NUMBER	1 2 3 4 5 6 7 NOMENCLATURE		
12 - 65	AN3-6A	Bolt - Aircraft No. 10-32 x 3/4 in.	2	ALL
	AN365-1032	Nut - Self locking No. 10-32	4	ALL
	AN940-316	Washer - Plain No. 10	2	ALL
	AN960-10	Washer - Plain No. 10	2	ALL
- 66	4707-2-10	Drive Assembly - Rudder tab control (BC)	2	ABC
	4707-3-10*	Drive Assembly - Rudder tab control (BC)	1	D
	187784*	Drive Assembly - Rudder tab control	2	ABC
	187784*	Drive Assembly - Rudder tab control	1	D
- 67	694-186095	Fitting - Stabilizer attaching upper LH	1	ALL
	694-186095-1	Fitting - Stabilizer attaching upper RH	1	ALL
- 68	407-186268	Fairlead Assembly - Rudder tab control	1	ALL
	407-186082	Fairlead - Rudder tab control	1	ALL
- 69	407-186050-15L	Angle - Stabilizer attaching LH	1	ABC
	186050A-15L	Angle - Stabilizer attaching LH	1	D
	407-186050-15R	Angle - Stabilizer attaching RH	1	ABC
	186050A-15R	Angle - Stabilizer attaching RH	1	D
- 70	407-186050-21L	Angle - Stabilizer attaching LH	1	ABC
	186050A-21L	Angle - Stabilizer attaching LH	1	D
	407-186050-21R	Angle - Stabilizer attaching RH	1	ABC
	186050A-21R	Angle - Stabilizer attaching RH	1	D
*These parts are interchangeable				



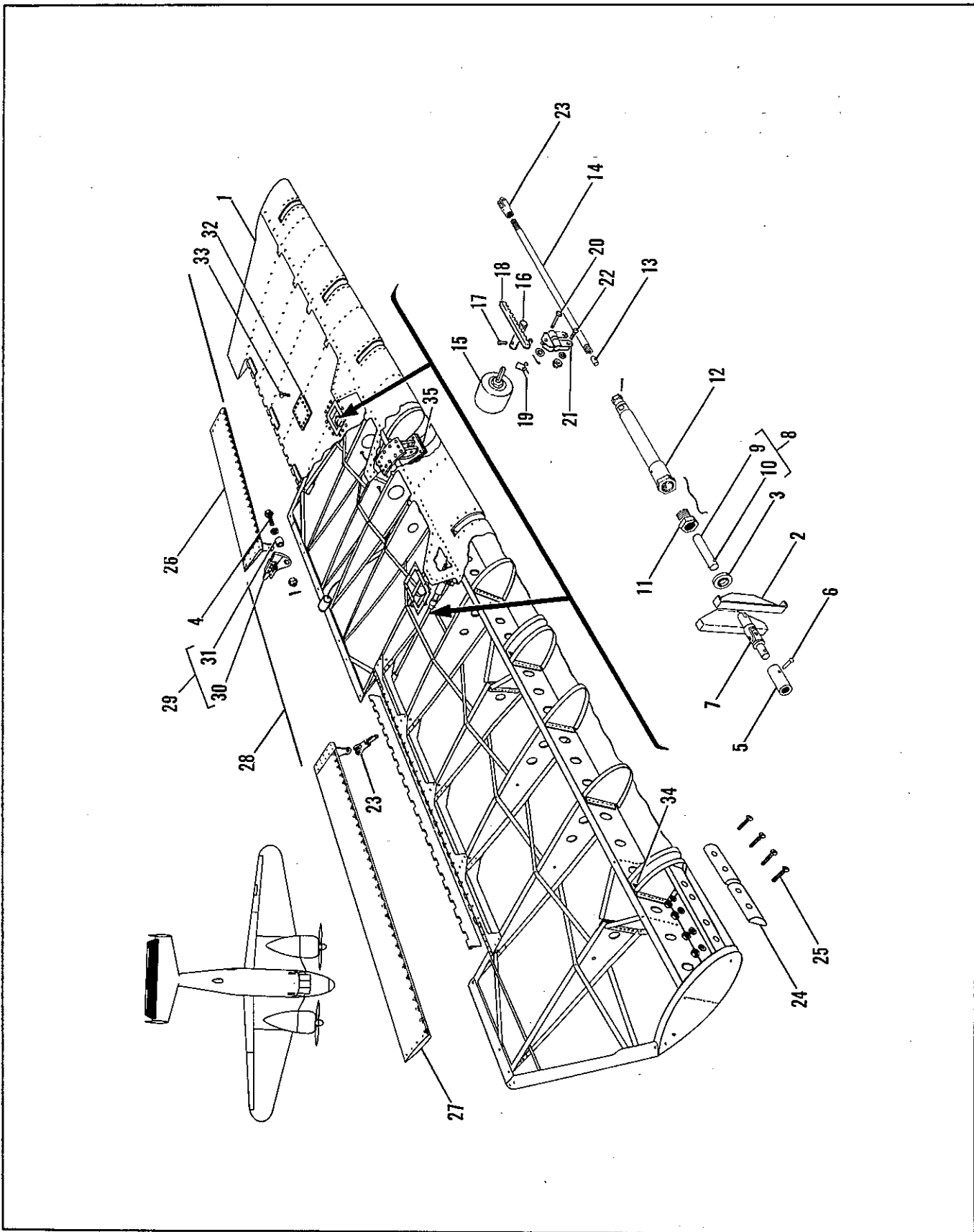
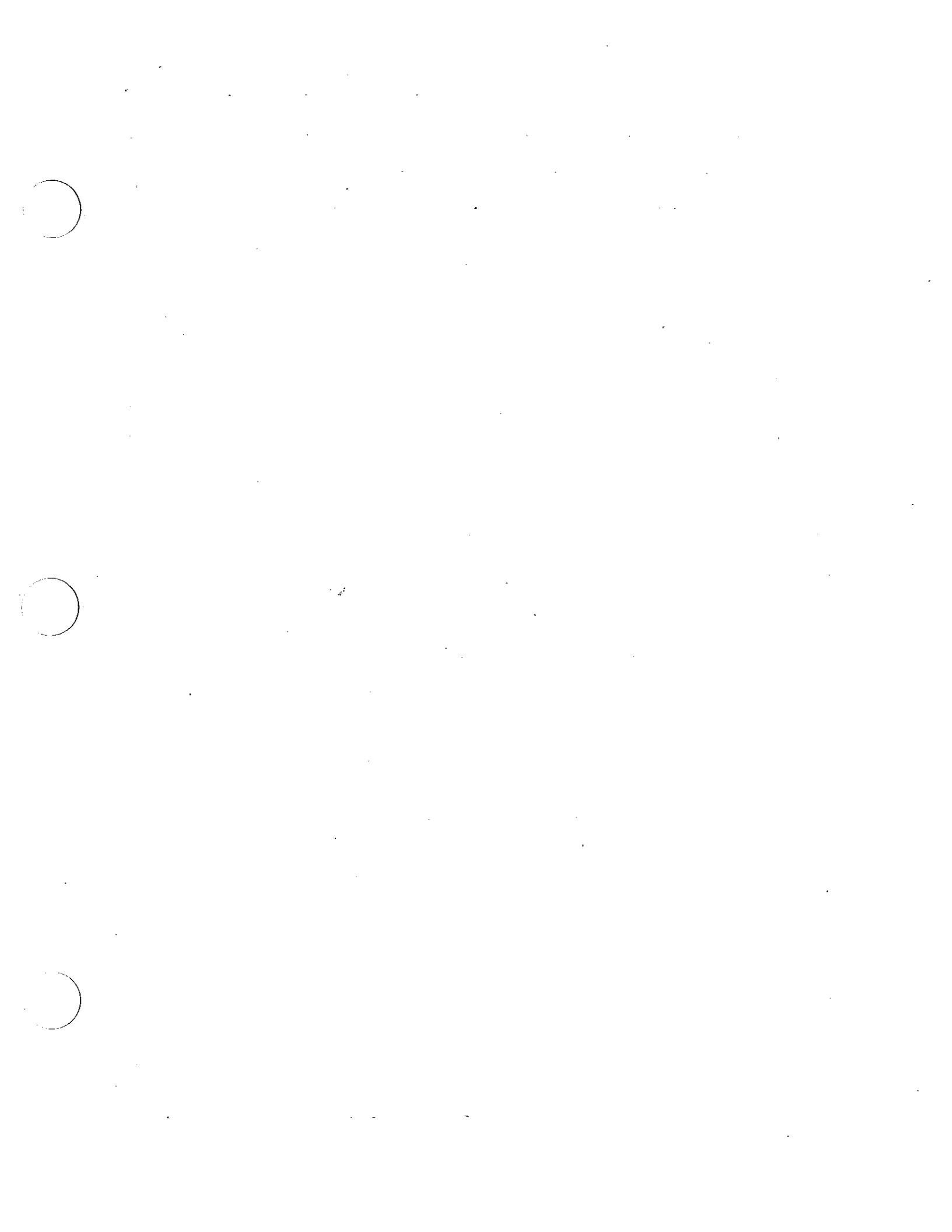


Figure 13. Covered Elevator Assembly



FIGURE and INDEX NUMBER	GROUP TAIL							Units Per Ass'y	Usage on Code	
	MAJOR ASSEMBLY COVERED ELEVATOR ASSEMBLY									
	PART NUMBER	1	2	3	4	5	6 7			NOMENCLATURE
13 -	404-186175							Elevator Assembly - Covered (see Figure 11) OR	Ref	ALL
	404-186175-600							Elevator Assembly - Covered (use for spare part - see Figure 11)	Ref	ALL
- 1	186100							Elevator Assembly	1	ALL
- 2	186119							Bracket - Elevator tab control bearing	1	ALL
- 3	K6A							Bearing - (FAF)	1	ALL
	404-186110							Mechanism Installation - Elevator tab control LH	1	ALL
	404-186110-1							Mechanism Installation - Elevator tab control RH	1	ALL
		Attaching Parts								
- 4	S124-16							Bolt - Machine, short thread	1	ALL
	AN320-3							Nut - Castle shear No. 10-32	1	ALL
	AN380-2-2							Pin - Cotter 1/16 x 1/2 in.	1	ALL
	AN960-10							Washer - Plain No. 10	1	ALL
- 5	187727							Tube - Elevator tab control torque	1	ALL
		Attaching Parts								
- 6	102809-A125-026							Pin	1	ALL
- 7	187712							Universal - Tab control	1	ALL
- 8	187710							Drive Assembly - Tab control torque	1	ALL
- 9	187710-1							Shaft - Tab control torque drive	1	ALL
		Attaching Parts								
- 10	187710-2							Pin	1	ALL
- 11	187711							Nut - Tab control actuator end cover	1	ALL
- 12	4576-36-10							Actuator Assembly - (BC)	1	ALL
- 13	187811							Plug - Tab control actuator end cover	1	ALL
- 14	187726-4							Rod Assembly - Elevator tab control LH - RH	1	ALL
- 15	404-186117							Rheostat - LH only	1	ALL
- 16	404-186112							Pinion Assembly - LH only	1	ALL
		Attaching Parts								
- 17	AN500-A6-3							Screw - Fillister head No. 6-32 x 3/16 in.	1	ALL
- 18	404-186113							Rack Assembly - LH only	1	ALL
- 19	404-186114							Spring - LH only	1	ALL
		Attaching Parts								
- 20	AN392-19							Pin - Flat head No. 4 x 3/4 in.	1	ALL
	AN960-4							Washer - Plain No. 4	1	ALL
	AN380-2-1							Pin - Cotter 1/16 x 3/8 in.	1	ALL
- 21	404-186111							Bracket Assembly - Elevator tab mechanism LH	1	ALL
		Attaching Parts								
- 22	AN515-10-4							Screw - Round head No. 10-32 x 1/2 in.	2	ALL

FIGURE and INDEX NUMBER	GROUP TAIL							Units Per Ass'y	Usage on Code	
	MAJOR ASSEMBLY COVERED ELEVATOR ASSEMBLY Cont'd									
	PART NUMBER	1	2	3	4	5	6 7			NOMENCLATURE
13 - 22	AN960-10 AN365-1032							Washer - Plain No. 10 Nut - Self locking No. 10-32	2 2	ALL ALL
- 23	S168							Fitting - End	2	ALL
- 24	186132							Weight - Balance	4	ALL
		Attaching Parts:								
- 25	AN510-10-24 AN365-1032 AN970-10							Screw - Flat head No. 10-32 x 1-1/2 in. Nut - Self locking No. 10-32 Washer - Plain No. 10	2 2 2	ALL ALL ALL
	186134-L							Hinge - Elevator tab LH	1	ALL
	186134-R							Hinge - Elevator tab RH	1	ALL
- 26	186110LH							Tab Assembly - Elevator LH	1	ALL
- 27	186110RH							Tab Assembly - Elevator RH	1	ALL
		Attaching Parts:								
- 28	105774-C-085 -05600							Pin - Hinge	2	ALL
- 29	186127							Horn Assembly - Elevator tab	1	ALL
- 30	186128							Horn - Elevator tab	1	ALL
- 31	K3L							Bearing - (FAF)	1	ALL
- 32	186151							Door - Elevator tab indicator inspection	2	ALL
		Attaching Parts:								
- 33	AN526-832-6							Screw - Truss head No. 8-32 x 3/8 in.	8	ALL
- 34	186103							Hinge - Elevator (Female)	4	ALL
- 35	186108							Hinge - Elevator (Horn)	1	ALL



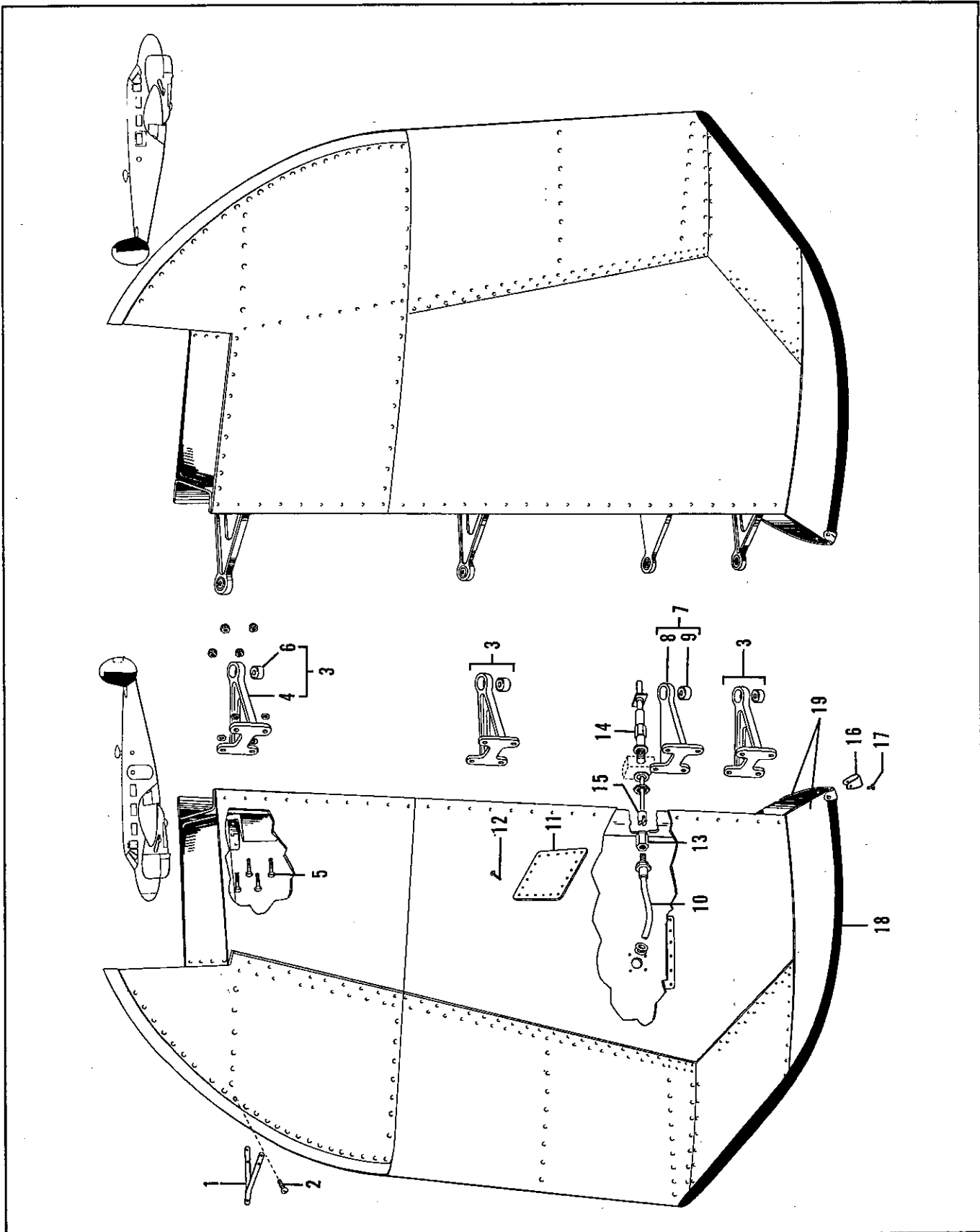
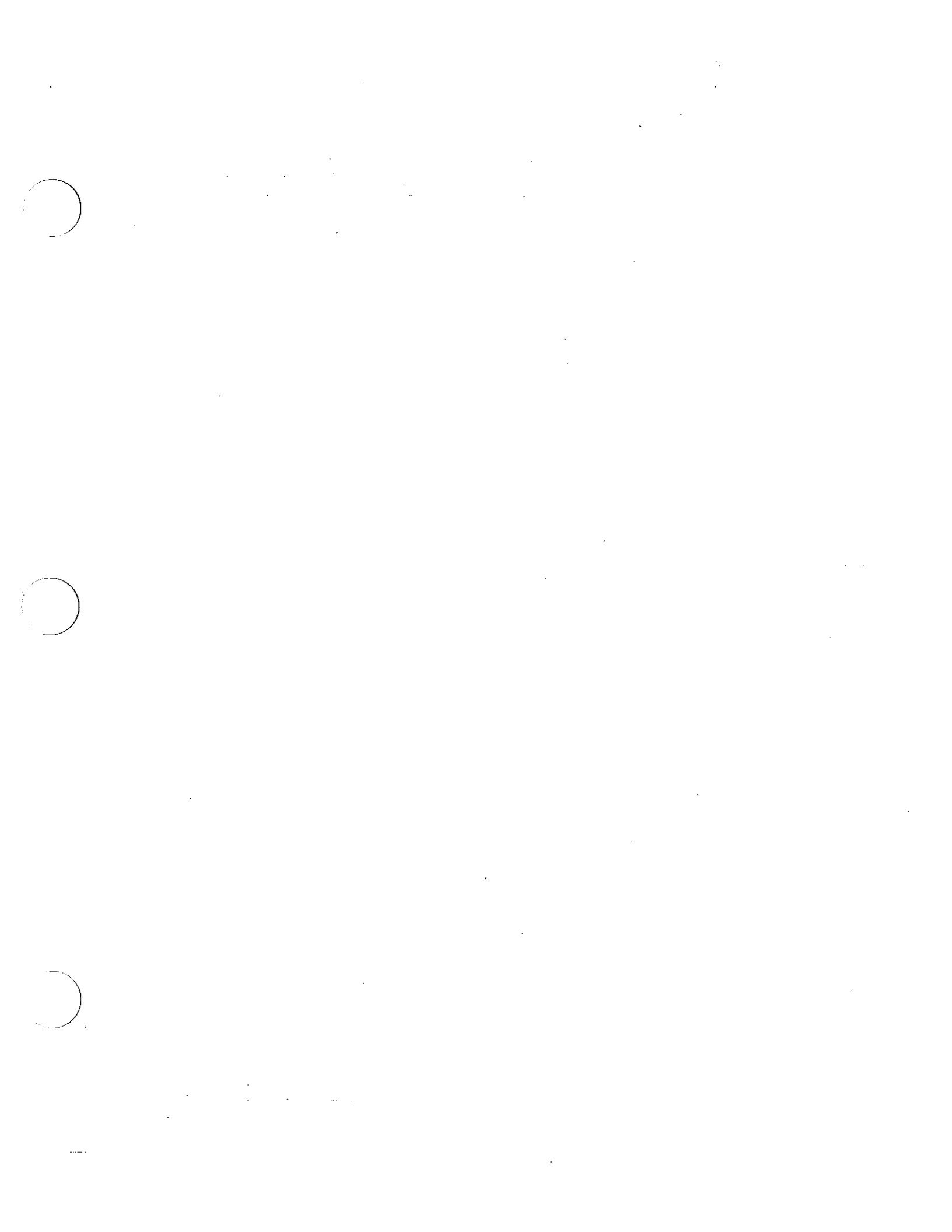


Figure 14. Fin Assembly

FIGURE and INDEX NUMBER	GROUP TAIL		Units Per Ass'y	Usage on Code
	MAJOR ASSEMBLY FIN ASSEMBLY			
	PART NUMBER	1 2 3 4 5 6 7 NOMENCLATURE		
14 -	407-18600	Tail Surface Installation (See Figure 1)	Ref	ABC
-	404-18600	Tail Surface Installation (See Figure 1)	Ref	D
-	186200L	Fin Assembly - LH (See Figure 11) OR	Ref	ALL
-	186200-600	Fin Assembly - LH (use for spare part - see Figure 11)	Ref	ALL
-	186200-19	Fin Assembly - RH (See Figure 11) OR	Ref	ABC
-	186200-619	Fin Assembly - RH (use for spare part - see Figure 11)	Ref	ABC
-	186200R	Fin Assembly - RH (See Figure 11)	Ref	D
- 1	180451-1	Bracket Assembly - Antenna mounting	1	ALL
-	180451-2	Bracket Assembly - Antenna mounting	1	ALL
-	Attaching Parts			
- 2	AN526-832-8	Screw - Truss head No. 8-32 x 1/2 in.	4	ALL
- 3	186210	Hinge Assembly - Rudder male	3	ALL
- 4	186210-1	Bracket - Hinge	1	ALL
-	Attaching Parts			
- 5	AN3-7A	Bolt - Aircraft No. 10-32 x 7/8 in.	4	ALL
-	AN365-1032	Nut - Self locking No. 10-32	4	ALL
-	AN960-10	Washer - Plain No. 10	4	ALL
- 6	SIK-5	Bearing - (FAF)	1	ALL
- 7	186215	Hinge Assembly - Rudder male	1	ALL
- 8	186215-2	Bracket - Hinge	1	ALL
-	Attaching Parts			
-	AN3-7A	Bolt - Aircraft No. 10-32 x 7/8 in.	4	ALL
-	AN365-1032	Nut - Self locking No. 10-32	4	ALL
-	AN960-10	Washer - Plain No. 10	4	ALL
- 9	SIK-5	Bearing - (FAF)	1	ALL
- 10	187748	Shaft Assembly - Rudder tab control	1	ABC
-	187748	Shaft Assembly - Rudder tab control LH only	1	D
- 11	186206	Door - Fin inspection	1	ABC
-	186206	Door - Fin inspection LH only	1	D
-	Attaching Parts			
- 12	AN526-832-8	Screw - Truss head No. 8-32 x 1/2 in.	18	ALL
- 13	187704	Nut - Connecting rudder tab control	1	ABC
-	187704	Nut - Connecting rudder tab control LH only	1	D
- 14	187715	Drive - Tab mechanism torque tube	1	ABC
-	187715	Drive - Tab mechanism torque tube LH only	1	D
- 15	187716	Fitting - Rudder tab control flexible shaft end	1	ABC
-	187716	Fitting - Rudder tab control flexible shaft end LH only	1	D
- 16	186003	Strap - Fin	1	ALL
-	Attaching Parts			

FIGURE and INDEX NUMBER	GROUP TAIL		Units Per Ass'y	Usage on Code
	MAJOR ASSEMBLY FIN ASSEMBLY Cont'd			
	PART NUMBER	1 2 3 4 5 6 7 NOMENCLATURE		
14 - 17	AN526-632-8	Screw - Truss head No. 6-32 x 1/2 in.	2	ALL
	AN526-632-6	Screw - Truss head No. 6-32 x 3/8 in.	2	ALL
	AN960-6	Washer - Plain No. 6	4	ALL
	AN365-632	Nut - Self locking No. 6-32	4	ALL
- 18	2M-34739-39	Shoe - Abrasion V-type (GD)	1	ALL
- 19	186203-1	Tip Assembly - Fin	2	ALL
	186203-2	Tip Assembly - Fin	2	ALL
	186207-1	Reinforcement - Fin rear spar (use with 186210-1 Hinge)	3	ALL
	186207-2	Reinforcement - Fin rear spar (use with 186215-2 Hinge)	1	ALL



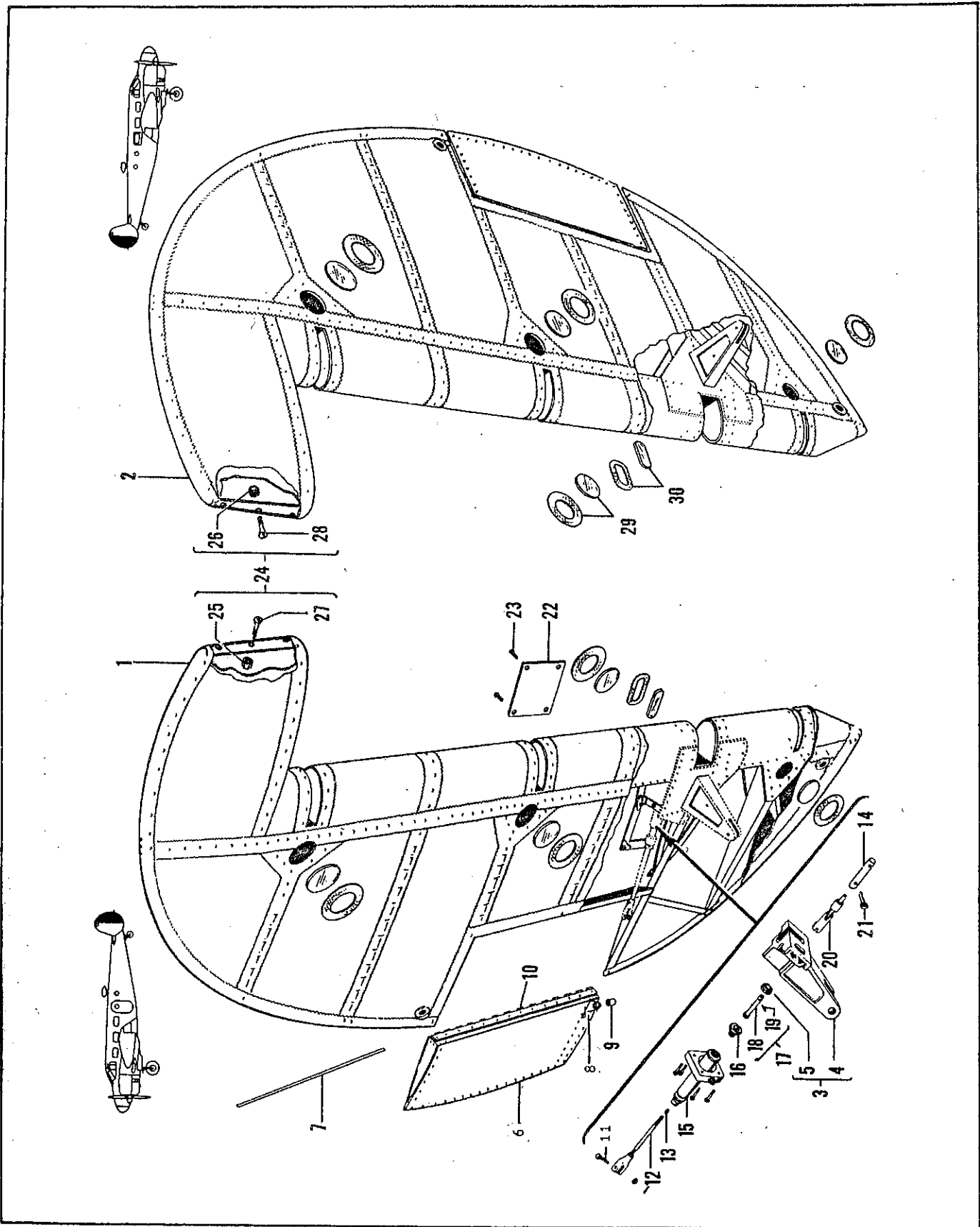


Figure 15 (Issue 1) . Covered Rudder Assembly



Figure and Index Number	Group TAIL		Units per Assy	Usage on Code
	Major Assembly COVERED RUDDER ASSEMBLY			
	Part	1 2 3 4 5 6 7 Nomenclature		
15 -	407-186350	Rudder Assembly - Covered LH (see Figure 11) OR	Ref	ALL
	407-186350-600	Rudder Assembly - Covered LH (use for spare part - see Figure 11)	Ref	ALL
	694-186350-601	Rudder Assembly - LH (use for Spare part - see Figure 11)		
	407-186350-1	Rudder Assembly - Covered RH (see Figure 11) OR	Ref	ABC
	407-186350-605	Rudder Assembly - Covered RH (use for spare part - see Figure 11) OR	Ref	ABC
	694-186350-602	Rudder Assembly - Covered RH (use for spare part - see Figure 11)		
	186350R	Rudder Assembly - Covered RH (see Figure 11) OR	Ref	D
	18350-601	Rudder Assembly - Covered RH (use for spare part - see Figure 11)	Ref	D
- 1	186250L	Rudder Assembly - LH	1	ALL
- 2	186250-15	Rudder Assembly - RH	1	ABC
	186250-1	Rudder Assembly - RH	1	D
- 3	186256	Horn Assembly - Rudder LH only	1	ALL
	186256-1	Horn Assembly - Rudder RH only	1	D
	186256-4	Horn Assembly - Rudder RH only	1	ABC
- 4	186256-2	Horn - Rudder LH	1	ALL
	186256-3	Horn - Rudder RH	1	ABC
- 5	AN201-KP6A	Bearing	1	ABC
- 6	186270	Tab Assembly - Rudder (not required on 186350R) ATTACHING PARTS	1	ALL
- 7	186250-14	Pin - Rudder tab hinge (not required on 186350R)	1	ALL
- 8	186271-1	Rib Assembly - Rudder tab horn	1	ALL
- 9	AN200K3L	Bearing	1	ALL
- 10	186272	Hinge - Rudder tab	1	ALL
	187705	Control Installation - Rudder tab (not required on 186350R) ATTACHING PARTS	1	ALL
- 11	S-124-17	Bolt - Machine, short thread	1	ALL
	AN960-10	Washer - Plain No. 10	1	ALL
	AN320-3	Nut - Castle shear No. 10-32	1	ALL
	AN380-2-2	Pin - Cotter 1/16 x 1/2 in.	1	ALL
- 12	187707	Rod - Rudder tab control	1	ALL
- 13	187811	Plug - Tab control	1	ALL
- 14	187727	Tube - Elevator tab control torque	1	ALL
- 15	4576-36-10	Actuator Assembly - (BC)	1	ALL

Figure and Index Number	Group TAIL		Units per Assy	Usage on Code
	Major Assembly COVERED RUDDER ASSEMBLY			
	Part	1 2 3 4 5 6 7 Nomenclature		
15 - 16	187711	Nut - Tab control actuator end cover	1	ALL
- 17	187710	Drive Assembly - tab control torque	1	ALL
- 18	187710-1	Shaft - Tab control torque drive	1	ALL
- 19	187710-2	Pin	1	ALL
- 20	187712	Joint - Tab control universal	1	ALL
- 21	102809-A125 -026	Pin	1	ALL
- 22	186278	Plate - Rudder tab mechanism inspection LH	1	ALL
	186278-1	Plate - Rudder tab mechanism inspection RH	1	ABC
		ATTACHING PARTS		
- 23	AN526-832-6	Screw - Truss head No. 8-32 x 3/8 in.	4	ALL
- 24	186253L	Balance Assembly - Rudder	1	ALL
	186253R	Balance Assembly - Rudder	1	ALL
- 25	186253-6	Lead - Balance - Rudder LH and RH	1	ALL
- 26	186253-7	Lead - Balance - Rudder RH only	1	D
		ATTACHING PARTS		
- 27	AN507-832-28	Screw - Flat head No. 8-32 x 1-5/8 in. LH	3	ALL
- 28	AN507-832-24	Screw - Flat head No. 8-32 x 1-1/2 in. RH	3	ALL
	AN365-832	Nut - Self locking No. 8-32	3	ALL
- 29	186351	Reinforcing	4	ABC
	186352	Cover	4	ABC
	186351	Reinforcing LH	4	D
	186352	Cover LH	4	D
	186351	Reinforcing RH	3	D
	186352	Cover RH	3	D
- 30	186177	Reinforcing	1	ABC
	186176	Cover	1	ABC
	186177	Reinforcing LH	1	D
	186176	Cover LH	1	D
	186177	Reinforcing RH	2	D
	186176	Cover RH	2	D

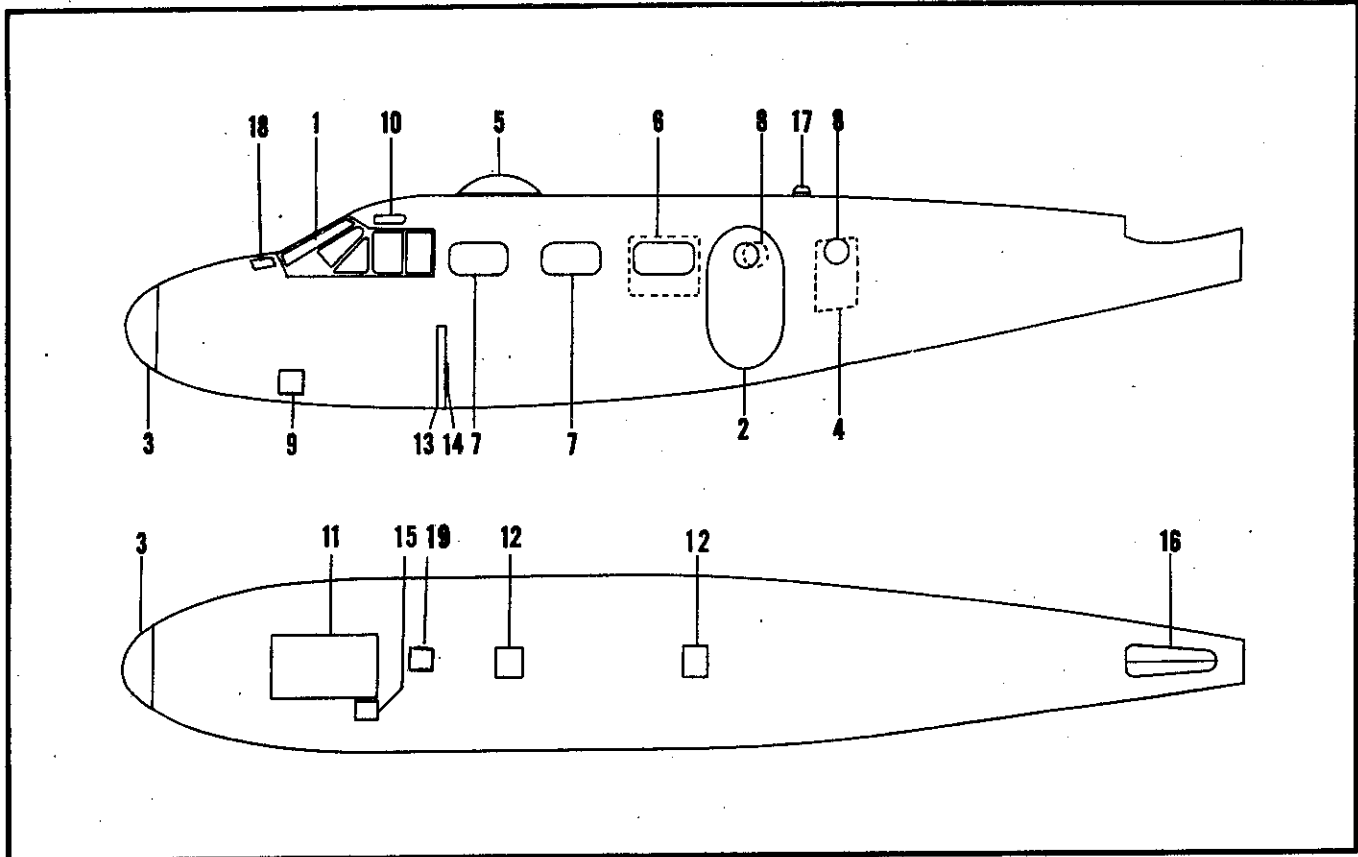


Figure 16 (Issue 1) Fuselage Structure Assembly

FIGURE and INDEX NUMBER	GROUP FUSELAGE							Units Per Ass'y	Usage on Code	
	MAJOR ASSEMBLY FUSELAGE STRUCTURE ASSEMBLY									
	PART NUMBER	1	2	3	4	5	6 7			NOMENCLATURE
16 -	644-184001							Structure Assembly - Fuselage (see Figure 1)	Ref	A
	644-184002							Structure Assembly - Fuselage (see Figure 1)	Ref	B
	644-184000							Structure Assembly - Fuselage (see Figure 1)	Ref	C
	824-184000							Structure Assembly - Fuselage (see Figure 1)	Ref	D
- 1	404-185500							Windshield and Pilot's Windows Installation - (see Figure 17)	1	ABC
	18550							Windshield and Pilot's Windows Installation - (see Figure 17)	1	D
- 2	404-185600							Door Assembly - Cabin (see Figure 18)	1	ALL
	404-185600-600							Door Assembly - Cabin (use for spare part - consists of cabin door - less upholstery - door holder, door handles, lock.	1	ALL
	18561-3							Hinge Assembly - Fuselage cabin door lower half	1	ALL
	18561-4							Hinge Assembly - Fuselage cabin door upper half	1	ALL
	184833							Bracket Assembly - Bulkhead door hinge	2	ALL

Part 2  
Group Assembly Part List

EO 05-45B-4

FIGURE and INDEX NUMBER	GROUP FUSELAGE							Units Per Ass'y	Usage on Code	
	MAJOR ASSEMBLY FUSELAGE STRUCTURE ASSEMBLY Cont'd.									
	PART NUMBER	1	2	3	4	5	6 7			NOMENCLATURE
16 - 3	18526							Door Assembly - Nose baggage compartment (see Figure 19) OR	1	ALL
	18526-600							Door Assembly - Nose Baggage Compartment (use for spare part - consists of door, lock assembly, rod assemblies, bushings and hinges)	1	ALL
- 4	185251							Door Installation - Rear baggage compartment	1	D
- 5	644-184790							Astrodome Assembly - Navigator's (see Figure 20)	1	AB
- 6	404-185650							Hatch Assembly - Emergency exit (see Figure 21) OR	1	ABC
	404-185650- 606							Hatch Assembly - Emergency exit (use for spare part - consists of complete hatch assembly without upholstery)	1	ABC
	185650							Hatch Assembly - Emergency exit (see Figure 21)	1	D
- 7	404-184455-2							Window Installation - Cabin	5	ABC
	404-184455-16							Seal - Cabin window	1	ABC
	404-184459							Glass - Cabin window	1	ABC
	18552-6							Glass - Cabin window	1	D
- 8	644-184450							Porthole Installation - Fuselage	1	ABC
	18445							Porthole Installation - Fuselage	1	D
	185601							Moulding - Porthole	2	D
	18446							Moulding - Porthole	1	D
	404-184458							Glass - Porthole	2	ALL
	18552-10							Glass - Porthole	2	D
- 9	814-184020							Door Installation - Rudder pedal inspection LH	1	ABC
	814-184020-1							Door Installation - Rudder pedal inspection RH	1	ABC
	111-21006-1							Door Installation - Rudder pedal inspection RH	1	D
	814-184022							Door Assembly - Rudder pedal inspection LH	1	ABC
	814-184022-1							Door Assembly - Rudder pedal inspection RH	1	ABC
	4MBA4996							Door - Rudder pedal inspection LH only	1	D
- 10	184470							Window Installation - Pilot's upper LH	1	ALL
	184470-4							Window Installation - Pilot's upper RH	1	ALL
	404-185520							Glass - Pilot's upper window LH	1	ALL
	404-185520-1							Glass - Pilot's upper window RH	1	ALL
	18552-11							Glass - Pilot's upper window	1	ALL
- 11	184660							Door Installation - Fuselage belly inspection	1	ALL
	184690							Door Assembly - Belly inspection	1	ALL
- 12	404-184071							Door Installation - Pulley access	2	ALL
	404-184071-2							Door - Pulley access	1	ALL
- 13	644-184005							Spar Installation - No. 5 bulkhead and center section	1	ABC
	404-184005							Spar Installation - No. 5 bulkhead and center section	1	D
	404-184200							Spar Assembly - Center section	1	ALL
	184212							Bushing - Landing gear pivot	4	ALL
	184214							Bushing - Wing hinge bolt	8	ALL

Figure and Index Number	Group FUSELAGE							Units per Assy	Usage on Code	
	Major Assembly FUSELAGE STRUCTURE ASSEMBLY (Cont'd)									
	Part	1	2	3	4	5	6 7			Nomenclature
16 - 14	18379P-1	.	.	.	.	.	.	Plate - Aileron turnbuckles inspection	2	ALL
- 15	No Number	.	.	.	.	.	.	Access Installation - Inverter (Ref. EO 05-45B-6A/90)	1	ALL
	No Number	.	.	.	.	.	.	Access Cover - Plate - Inverter	1	ALL
- 16	404-185961	.	.	.	.	.	.	Door Assembly - Tail wheel LH (see Figure 33)	Ref	ALL
	404-185961-1	.	.	.	.	.	.	Door Assembly - Tail wheel RH (see Figure 33)	Ref	ALL
- 17	111-71014	.	.	.	.	.	.	Anti-Collision light installation (see Figure 85)	Ref	ALL
- 18	111-61003	.	.	.	.	.	.	Door Assembly - Brake Fluid Reservoir (see Figure 30)	Ref	ALL
- 19	No Number	.	.	.	.	.	.	Access Installation - Rudder cable (Ref. EO 05-45B-6A/57)	1	ALL
	No Number	.	.	.	.	.	.	Access Cover - Plate - Rudder cable	1	ALL

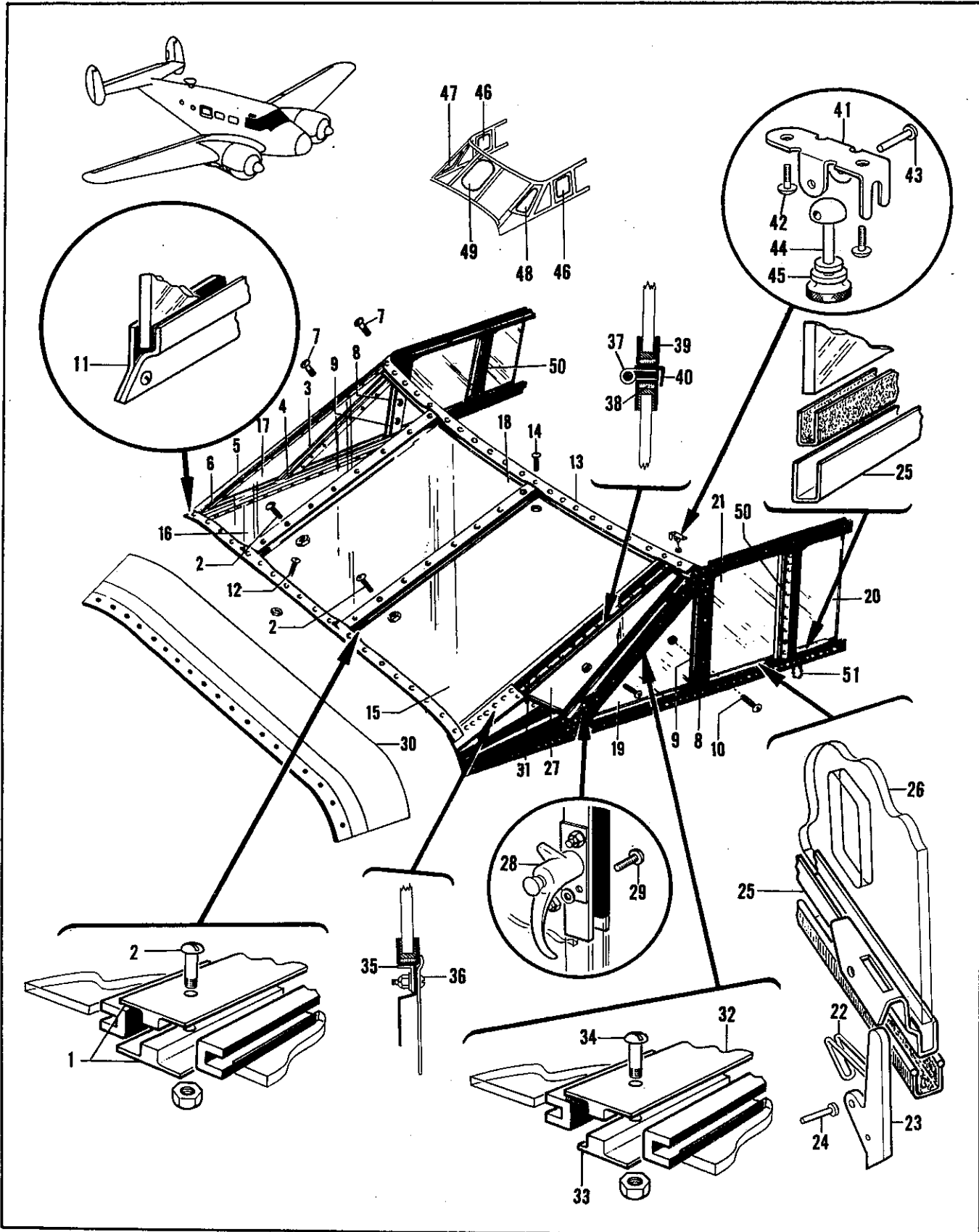


Figure 17. Windshield and Pilot's Window Installation

FIGURE and INDEX NUMBER	GROUP FUSELAGE							Units Per Ass'y	Usage on Code	
	MAJOR ASSEMBLY		WINDSHIELD AND PILOT'S WINDOWS INSTALLATION							
	PART NUMBER	1	2	3	4	5	6			7
17 -	404-185500	Windshield and Pilot's Windows Installation (See Figure 16)							Ref	ABC
	18550	Windshield and Pilot's Windows Installation (See Figure 16)							Ref	D
- 1	18550-3	Frame - Center							4	ALL
	Attaching Parts									
- 2	AN526-632-12	Screw - Truss head No. 6-32 x 3/4 in.							14	ALL
	AN365-632	Nut - Self locking No. 6-32							14	ALL
- 3	18550-4	Frame - Window outer							1	ALL
- 4	18550-5	Frame - Window inner							1	ALL
- 5	18550-35	Frame - Window outer							1	ALL
- 6	18550-36	Frame - Window inner							1	ALL
	Attaching Parts									
- 7	AN526-632-12	Screw - Truss head No. 6-32 x 3/4 in.							14	ALL
	AN365-632	Nut - Self locking No. 6-32							14	ALL
- 8	18550-6L	Frame - Pilot's window outer LH							1	ALL
	18550-6R	Frame - Pilot's window outer RH							1	ALL
	18550-48	Shim							2	ALL
	No number	Rubber Strip 3/8 x 14-3/4 x 1/8							2	ALL
- 9	18550-7L	Frame - Pilot's window inner LH							1	ALL
	18550-7R	Frame - Pilot's window inner RH							1	ALL
	Attaching Parts									
- 10	AN526-632-12	Screw - Truss head No. 6-32 x 3/4 in.							10	ALL
	AN365-632	Nut - Self locking No. 6-32							10	ALL
- 11	18550-20	Strip - Cap (lower)							1	ALL
	Attaching Parts									
- 12	AN526-632-7	Screw - Truss head No. 6-32 x 7/16 in.							16	ALL
	AN365-632	Nut - Self locking No. 6-32							16	ALL
- 13	18550-21	Strip - Cap (upper)							1	ALL
	Attaching Parts									
- 14	AN526-632-6	Screw - Truss head No. 6-32 x 5/16 in.							17	ALL
	AN365-632	Nut - Self locking No. 6-32							17	ALL
- 15	18551-2LH	Glass - Windshield LH							1	ALL
- 16	18551-2RH	Glass - Windshield RH							1	ALL
- 17	18551-4	Glass - Windshield RH							1	ALL
- 18	18552-1	Glass - Windshield center							1	ALL
- 19	18552-2	Glass - Cabin window							2	ALL
- 20	18552-4	Glass - Cabin window							2	ALL
- 21	404-185507	Window Assembly - Pilot's sliding LH							1	ABC
	404-185507-1	Window Assembly - Pilot's sliding RH							1	ABC
- 22	404-185508	Spring - Pilot's sliding window latch							1	ABC
- 23	404-185509	Lever - Pilot's sliding window latch release							1	ABC
- 24	102809-062-012	Pin							1	ABC

FIGURE and INDEX NUMBER	GROUP FUSELAGE							Units Per Ass'y	Usage on Code	
	WINDSHIELD AND PILOT'S WINDOWS INSTALLATION Cont'd.									
	PART NUMBER	1	2	3	4	5	6 7			NOMENCLATURE
17 - 25	404-185511							Channel - Pilot's sliding window LH (with lever bracket)	1	ABC
	404-185511-1							Channel - Pilot's sliding window RH (with lever bracket)	1	ABC
	C10X22 8FX							Sliding window pile lining - upper & lower	AR	ABC
	18550-11							Channel sliding window (without lever bracket)	2	D
	No Number							Felt lining 1-1/4 x 22 x 1/16 in.	4	D
- 26	404-185512							Class Assembly - Pilot's sliding window	2	ABC
	804-185512							Class Assembly - Pilot's sliding window LH	1	D
	804-185512-1							Class Assembly - Pilot's sliding window RH	1	D
	404-185514							Guide - Pilot's sliding window LH	1	ABC
	404-185514-1							Guide - Pilot's sliding window RH	1	ABC
	404-185513							Plate - Pilot's sliding window latch	2	ABC
	185530							Window Installation - Storm LH	1	ALL
- 27	18551-3							Class Storm Window LH	1	ALL
	185531							Frame Assembly - Storm window	1	ALL
- 28	185532							Latch - Storm window lower LH	1	ALL
	185536							Latch - Storm window upper LH	1	ALL
	Attaching Parts									
- 29	AN526-632-R7							Screw - Truss head No. 6-32 x 3/4 in.	2	ALL
	AN365-632							Nut - Self locking No. 6-32	2	ALL
	AN960-6							Washer - Plain No. 6	2	ALL
- 30	404-185503							Cowl - Windshield	1	ALL
	18550-29L							Bracket - Windshield cowl support LH	1	ALL
	18550-29R							Bracket - Windshield cowl support RH	1	ALL
- 31	2MBA13521							Strip - Window seal	1	D
- 32	185530-4L							Frame, Storm window - stop - outer LH	1	ALL
- 33	185530-5L							Frame, Storm window inner LH	1	ALL
	Attaching Parts									
- 34	AN526-632-12							Screw	5	ALL
	AN960-6							Washer	5	ALL
	AN365-632							Nut	5	ALL
- 35	85530-3L							Angle, windshield channel reinforcement LH	1	ALL
	Attaching Parts									
- 36	AN526-632-7							Screw	2	ALL
	AN526-632-6							Screw	6	ALL
	AN960-6							Washer	8	ALL
	AN365-632							Nut	8	ALL
- 37	185530-6L							Hinge Assembly, storm window LH	1	ALL
- 38	185530-7							Strip - Filler	1	ALL
- 39	185530-9							Channel, windshield	1	ALL
- 40	185530-16							Angle, storm window outer frame	1	ALL
- 41	185543							Bracket, catch mounting	1	ALL
	Attaching Parts									
- 42	AN526-632R7							Screw	2	ALL
	AN960-6							Washer	2	ALL



FIGURE and INDEX NUMBER	GROUP FUSELAGE							Units Per Ass'y	Usage on Code		
	MAJOR ASSEMBLY WINDSHIELD AND PILOT'S WINDOWS INSTALLATION Cont'd										
	PART NUMBER	1	2	3	4	5	6			7	NOMENCLATURE
17 - 42	AN365-632				Nut					2	ALL
- 43	102809-A-125 -020				Pin					1	ALL
- 44	185545				Belt, storm glass upper catch eye					1	ALL
- 45	185544				Knob					1	ALL
									OR		
	IMBA-4646				Knob					1	ALL
- 46	21861				Frost Shield					2	ALL
- 47	31709				Frost Shield RH					1	ALL
- 48	31710				Frost Shield LH					1	ALL
- 49	31708				Frost Shield					1	ALL
- 50	804-185560				Weather strip assembly					2	ALL
- 51	185522				Pin Assembly Window Stop					2	D
									OR		
	2MBA6141				Pin Assembly Window Stop					2	D

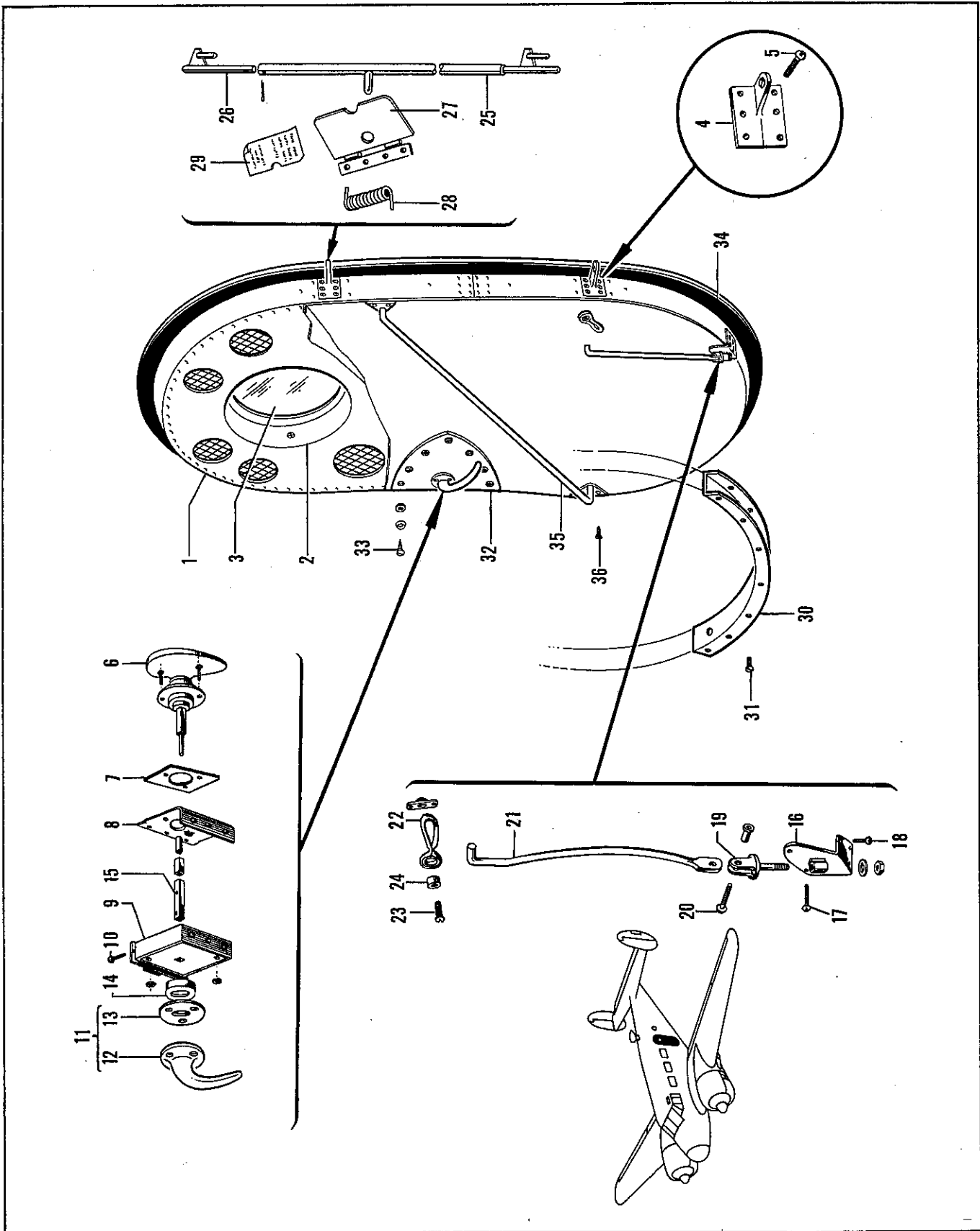
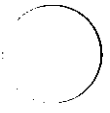


Figure 18. Cabin Door Assembly

FIGURE and INDEX NUMBER	GROUP FUSELAGE							Units Per Ass'y	Usage on Code		
	MAJOR ASSEMBLY			CABIN DOOR ASSEMBLY							
	PART NUMBER	1	2	3	4	5	6			7	NOMENCLATURE
18 - 1	404-185600								Door Assembly - Cabin (See Figure 16) OR	Ref	ALL
	404-185600- 600								Door Assembly - Cabin (use for spare part - see Figure 16)	Ref	ALL
- 2	185601								Moulding - Cabin door porthole	1	ALL
- 3	404-184458								Glass - Cabin door porthole	1	ALL
									Attaching Parts		
	AN526-832RT								Screw	4	ALL
- 4	18561-1								Hinge - Cabin door	2	ALL
									Attaching Parts		
- 5	AN510-10-8								Screw - Flat head No. 10-32 x 1/2	12	ALL
	814-185630								Lock Installation	1	ALL
- 6	814-185639								Handle Assembly - Cabin door outer	1	ALL
- 7	814-185635								Spacer - Cabin door lock outer	1	ALL
- 8	814-185634								Reinforcement - Door lock outer	1	ALL
- 9	185633								Lock Assembly - Cabin door OR	1	ALL
	18563-10								Lock Assembly - Cabin door (use for spare parts - consists of lock, outer door handle, spacer and reinforcement)	1	ALL
									Attaching Parts		
- 10	AN505-8-8								Screw - Flat head No. 8-32 x 1/2 in.	2	ALL
- 11	814-185642								Handle Assembly - Cabin door inner OR	1	ALL
	814-185630-2								Handle Assembly - Cabin door inner (use for spare parts - consists of handle, collar, shaft and washers)	1	ALL
									Attaching Parts		
	AN507-6-6								Screw	3	ALL
- 12	Y-127								Handle - Cabin door inner (DY)	1	ALL
- 13	100951-DD-187 -012-106								Washer	1	ALL
- 14	814-185636								Collar - Cabin door handle shaft	1	ALL
- 15	814-185640								Shaft Assembly - Cabin door handle	1	ALL
	404-185670								Holder Installation - Cabin door	1	ALL
- 16	404-185671								Fitting - Cabin door holder	1	ALL
									Attaching Parts		
- 17	AN526-8R9								Screw - Truss head No. 8-32 x 9/16 in.	2	ALL
- 18	AN507-8R8								Screw - Flat head No. 8-32 x 1/2 in.	4	ALL

FIGURE and INDEX NUMBER	GROUP FUSELAGE							Units Per Ass'y	Usage on Code	
	MAJOR ASSEMBLY CABIN DOOR ASSEMBLY Cont'd.									
	PART NUMBER	1	2	3	4	5	6 7			NOMENCLATURE
18 - 19	185674							Lug - Cabin door holder	1	ALL
- 20	7470							Screw - Catalogue (USB)	1	ALL
- 21	185675							Stay - Cabin door holder	1	ALL
- 22	185681							Loop Assembly - Cabin door holder	1	ALL
								Attaching Parts		
- 23	AN526-8-12							Screw - Truss head No. 8-32 x 3/4 in.	1	ALL
	AN366F832							Anchor Nut	1	ALL
- 24	185682							Bushing - Cabin door holder loop	1	ALL
	I180361							Mechanism Installation	1	ALL
- 25	I180361-1							Shaft Assembly - Cabin door quick release	1	ALL
- 26	I180361-4							Pin Assembly - Cabin door quick release	1	ALL
- 27	I180361-13							Door Assembly - Cabin door quick release	1	ALL
- 28	I180361-9							Spring	1	ALL
- 29	404-180068							Placard - Latch cover	1	ALL
- 30	404-184063							Scuff Plate - Bottom of door frame	1	ALL
								Attaching Parts		
- 31	AN515-6R-8							Screw	7	ALL
	AN526-632R9							Screw	6	ALL
- 32	404-183014							Finger Plate	1	ALL
								Attaching Parts		
- 33	PK78X2-6-8							Screw - Self tapping (PK)	7	ALL
	601-6							Washer - Nickel countersunk	7	ALL
	AN940-9							Washer	7	ALL
- 34	No Number							Rubber Tape 3/8 x 116 - Fed-H-H-T-111	1	ALL
- 35	404-183290							Handrail	1	ALL
								Attaching Parts		
- 36	NAS387-1032							Screw	4	ALL
	-8P									



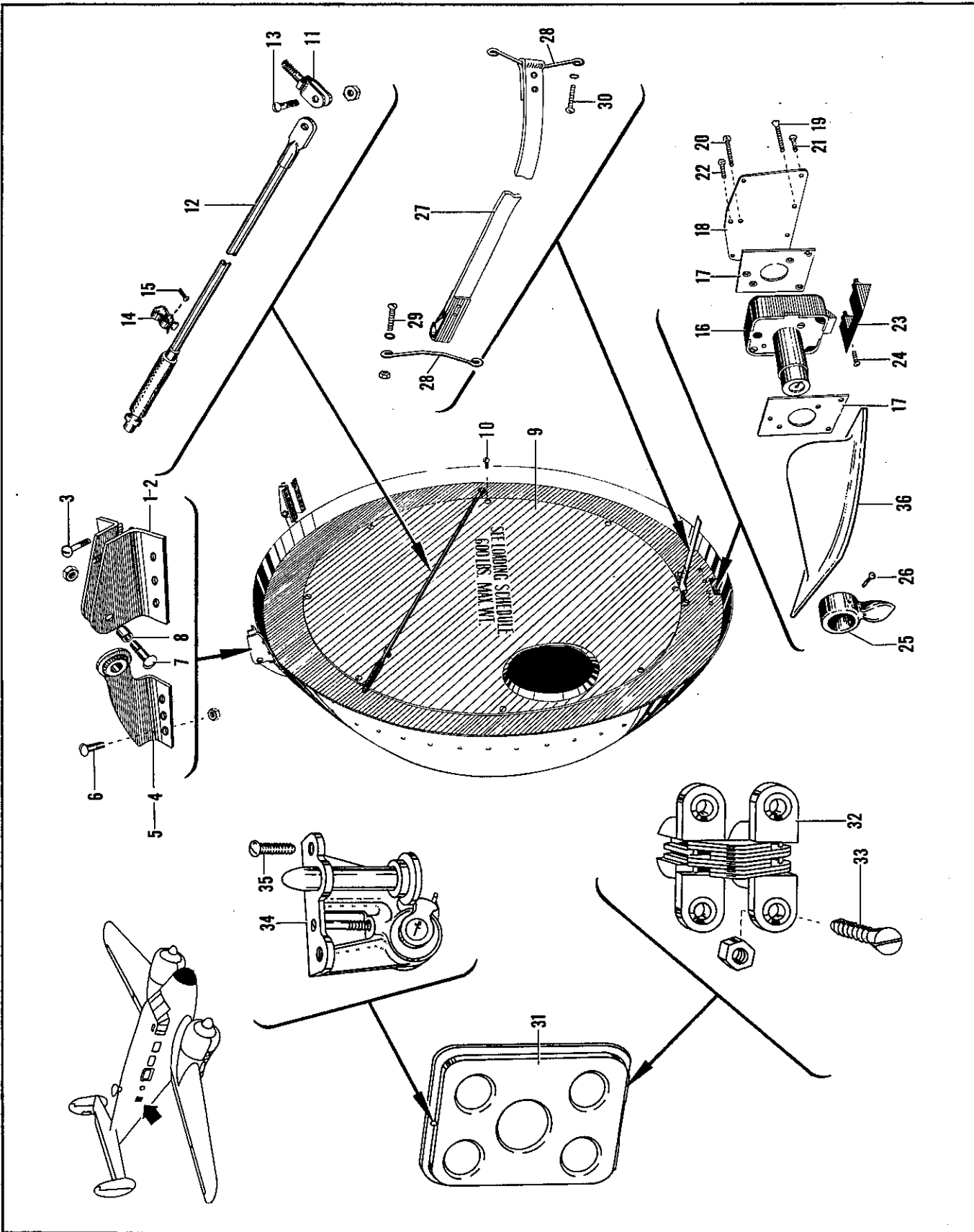


Figure 19. Baggage Compartment Door Installation

FIGURE and INDEX NUMBER	GROUP FUSELAGE							Units Per Ass'y	Usage on Code		
	MAJOR ASSEMBLY		BAGGAGE COMPARTMENT DOOR INSTALLATION								
	PART NUMBER	1	2	3	4	5	6			7	NOMENCLATURE
19 -	18526								Door Assembly - Nose baggage compartment (see Figure 16)	Ref	ALL
									OR		
	18526-600								Door Assembly - Nose baggage compartment (use for spare part - see Figure 16)	Ref	ALL
- 1	185267L								Hinge Assembly - Baggage door LH	1	ALL
- 2	185267R								Hinge Assembly - Baggage door RH	1	ALL
									Attaching Parts		
- 3	AN526-632-8								Screw - Truss head No. 6-32 x 1/2 in.	6	ALL
	AN960-6								Washer - Plain No. 6	6	ALL
	AN365-632								Nut - Self locking No. 6-32	6	ALL
- 4	185268LH								Hinge Assembly - Baggage door LH	1	ALL
- 5	185268RH								Hinge Assembly - Baggage door RH	1	ALL
									Attaching Parts		
- 6	AN526-632-7								Screw - Truss head No. 6-32 x 7/16 in.	3	ALL
	AN960-6								Washer - Plain No. 6	3	ALL
	AN365-632								Nut - Self locking No. 6-32	3	ALL
- 7	185269								Bolt - Nose door hinge	2	ALL
- 8	18526-9								Bushing - Nose door hinge	2	ALL
	AN364-1032								Nut - Self locking No. 10-32	2	ALL
- 9	18526-3								Plate - Nose baggage door	1	ALL
									Attaching Parts		
- 10	AN515-8-6								Screw - Round head No. 8-32 x 3/8 in.	7	ALL
- 11	18526-19								Fork Assembly - Nose door stay	1	ALL
- 12	185262								Rod Assembly - Nose door stay	1	ALL
									Attaching Parts		
- 13	AN520-10-8								Screw - Round head No. 10-32 x 1/2 in.	1	ALL
	AN365-1032								Nut - Self locking No. 10-32	1	ALL
	185264								Latch - Nose door rod	1	ALL
- 14	185678								Clip - Nose door stay rod	1	ALL
									Attaching Parts		
- 15	AN515-3-3								Screw - Round head No. 3-48 x 2/16 in.	1	ALL
	AN960-3								Washer - Plain No. 3	1	ALL
	AN340-3								Nut - Light hexagon No. 3-48	1	ALL
	185270								Lock Installation - Nose baggage door	1	ALL
									OR		
	185270-2								Lock Assembly - Nose baggage door (consists of lock, plate, block and handle)	1	ALL
- 16	404-185270								Lock	1	ALL
- 17	185272-2								Plate - Door lock	2	ALL
- 18	185273								Plate - Door lock	1	ALL
									Attaching Parts		
- 19	AN505-8-18								Screw - Flat head No. 8-32 x 1-1/8 in.	2	ALL

FIGURE and INDEX NUMBER	GROUP FUSELAGE							Units Per Ass'y	Usage on Code		
	MAJOR ASSEMBLY		BAGGAGE COMPARTMENT DOOR INSTALLATION Cont'd.								
	PART NUMBER	1	2	3	4	5	6			7	NOMENCLATURE
19 - 20	AN526-8-18								Screw - Truss head No. 8-32 x 1-1/8 in.	1	ALL
- 21	AN505-6-8								Screw - Flat head No. 6-32 x 1/2 in.	2	ALL
- 22	AN526-8-8								Screw - Truss head No. 8-32 x 1/2 in.	1	ALL
- 23	185274								Block - Lock striker	1	ALL
- 24	AN515-6-10	Attaching							Screw - Round head No. 6-32 x 5/8 in.	2	ALL
	AN960-6	Parts							Washer - Plain No. 6	2	ALL
- 25	185261								Handle - Nose baggage compartment door	1	ALL
- 26	AN515-6-3	Attaching							Screw - Round head No. 6-32 x 3/16 in.	1	ALL
- 27	18528-5								Strap Assembly - Nose baggage door	1	ALL
									OR		
	18528-601								Strap Assembly - Nose baggage door (use for spare part - consists of strap and hooks)	1	ALL
- 28	18528-3								Hook - Nose baggage door strap	2	ALL
- 29	AN526-6-9	Attaching							Screw - Truss head No. 6-32 x 9/16 in.	2	ALL
	AN960-6	Parts							Washer - Plain No. 6	8	ALL
	AN365-632								Nut - Self locking No. 6-32	2	ALL
- 30	AN526-632-8								Screw - Truss head No. 6-32 x 1/2 in.	2	ALL
	185251								Door Installation - Rear baggage compartment (see Figure 16)	Ref	D
- 31	18525								Door Assembly - Rear baggage compartment	1	D
- 32	185253								Hinge - Rear baggage compartment door	2	D
- 33	AN505-6-7	Attaching							Screw - Flat head No. 6-32 x 7/16 in.	4	D
	AN365-632	Parts							Nut - Self locking No. 6-32	4	D
- 34	18525-7								Lock Assembly - Rear baggage door	1	D
	AC139								Lock - Rear baggage door	1	D
- 35	AN526-1032-5	Attaching							Screw - Truss head No. 10-32 x 5/16 in.	2	D
- 36	185271								Recess Assembly - Nose Baggage Compartment Door Lock Handle (installed on No. 1 Bulkhead)	1	ALL



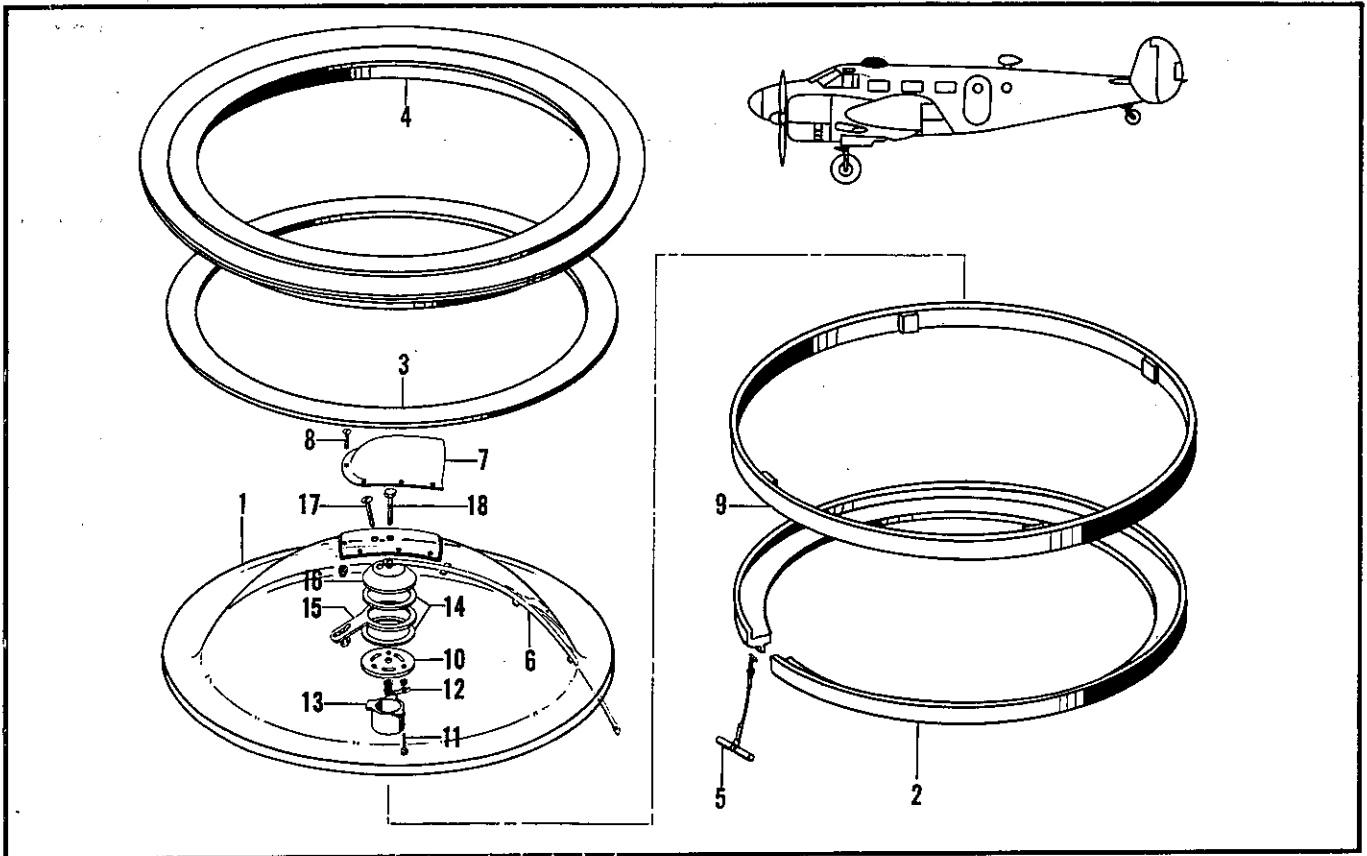


Figure 20 Navigator's Astrodome Assembly

FIGURE and INDEX NUMBER	GROUP FUSELAGE							Units Per Ass'y	Usage on Code	
	MAJOR ASSEMBLY NAVIGATOR'S ASTRODOME ASSEMBLY									
	PART NUMBER	1	2	3	4	5	6			7
20 -	644-184790	Astrodome	Assembly	-	Navigator's	(see	Figure	16)	Ref	AB
						OR				
	644-184790-620	Astrodome	Assembly	-	Navigator's	(use	for	spare	1	AB
						part)				
- 1	644-184790-20	Dome	Assembly						1	AB
	644-180081	Placard							1	AB
- 2	644-184790-4	Seal -	Dome						1	AB
- 3	644-184790-6	Gasket -	Dome						1	AB
- 4	209-1002	Ring	Assembly	-	Navigator's	dome			1	AB
- 5	111-83002	Cable	Assembly	-	Astrodome	release			1	AB
- 6	644-184789	Strap -	Astrodome	grounding					1	AB
- 7	644-184790-12	Cover							1	AB
		Attaching	Parts							
- 8	AN526-8R9	Screw -	Truss	head	No. 8-32	x 9/16	in.		7	AB
	AN960-8L	Washer -	Plain	No. 8					7	AB
	AN364-832	Nut -	Self	locking	No. 8-32				7	AB
- 9	644-184790-22	Cushion -	Dome						1	AB

FIGURE and INDEX NUMBER	GROUP FUSELAGE							Units Per Ass'y	Usage on Code		
	MAJOR ASSEMBLY NAVIGATOR'S ASTRODOME ASSEMBLY Cont'd										
	PART NUMBER	1	2	3	4	5	6			7	NOMENCLATURE
20 - 10	644-184795								Retainer Assembly - Astro compass	1	AB
									Attaching Parts		
- 11	AN509-416R11								Screw - Fillister head 1/4-28 x 3/4 in.	3	AB
- 12	644-184799								Spring	3	AB
- 13	644-184797								Mount - Astro compass	1	AB
- 14	644-184796								Washer - Sextant support arm	2	AB
- 15	644-184794								Arm Assembly - Sextant suspension	1	AB
- 16	644-184793								Plate - Astro compass and sextant support mounting	1	AB
									Attaching Parts		
- 17	AN520-416R10								Screw - Round head 1/4-28 x 5/8 in.	1	AB
- 18	AN4-15A								Bolt - Aircraft 1/4-28 x 15/16 in.	1	AB
	AN960-416L								Washer - Plain 1/4 in.	2	AB
	AN365-428								Nut - Self locking 1/4-28	1	AB

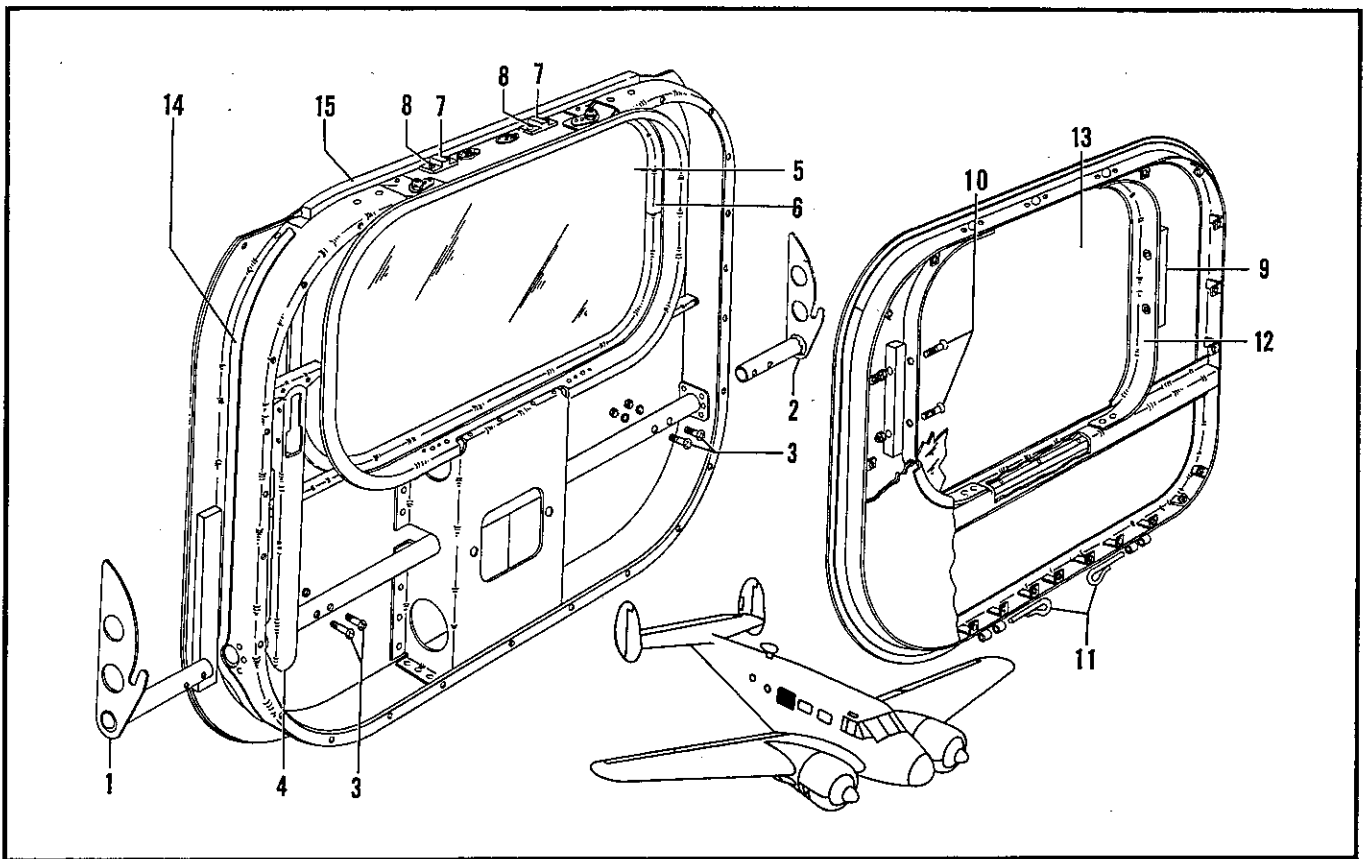
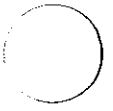
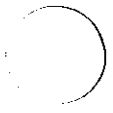


Figure 21. Emergency Exit Hatch Assembly

FIGURE and INDEX NUMBER	GROUP FUSELAGE							Units Per Ass'y	Usage on Code		
	MAJOR ASSEMBLY			EMERGENCY EXIT HATCH ASSEMBLY							
	PART NUMBER	1	2	3	4	5	6			7	NOMENCLATURE
21 -	404-185650								Hatch Assembly - Emergency exit (See Figure 16) OR	Ref	ABC
	404-185650-606								Hatch Assembly - Emergency exit (use for spare part - See Figure 16)	Ref	ABC
	185650								Hatch Assembly - Emergency exit (See Figure 16)	Ref	D
- 1	404-185651								Cam Assembly - Emergency exit lock LH	1	ABC
- 2	404-185651-1								Cam Assembly - Emergency exit lock RH	1	ABC
	Attaching Parts										
- 3	NAS221-19								Screw - Phillips head No. 10-32 x 1-7/32 in.	2	ALL
	AN960-10								Washer - Plain No. 10	2	ALL
	AN365-1032								Nut - Self locking No. 10-32	2	ALL
- 4	404-185653								Handle Assembly - Emergency exit hatch release	1	ABC
	404-184455-4								Window Installation - Cabin	1	ABC
- 5	404-184459								Glass - Window	1	ABC
- 6	404-184455-18								Moulding - Window	2	ABC
- 7	404-185654								Stop - Emergency exit hatch	2	ABC

FIGURE and INDEX NUMBER	GROUP FUSELAGE							Units Per Ass'y	Usage on Code
	MAJOR ASSEMBLY EMERGENCY EXIT HATCH ASSEMBLY Cont'd								
	PART NUMBER	1	2	3	4	5	6 7		
21 -									
- 8	PK79 x 2-8-15							2	ALL
- 9	185650-10							2	D
- 10	AN505-6-12							4	ALL
	AN960-6							4	ALL
	AN365-632							4	ALL
- 11	185653							2	D
- 12	404-184455-18							1	D
- 13	18552-6							1	D
	404-185663-1							1	ABC
- 14	S152							AR	ALL
- 15	No Number							AR	ALL



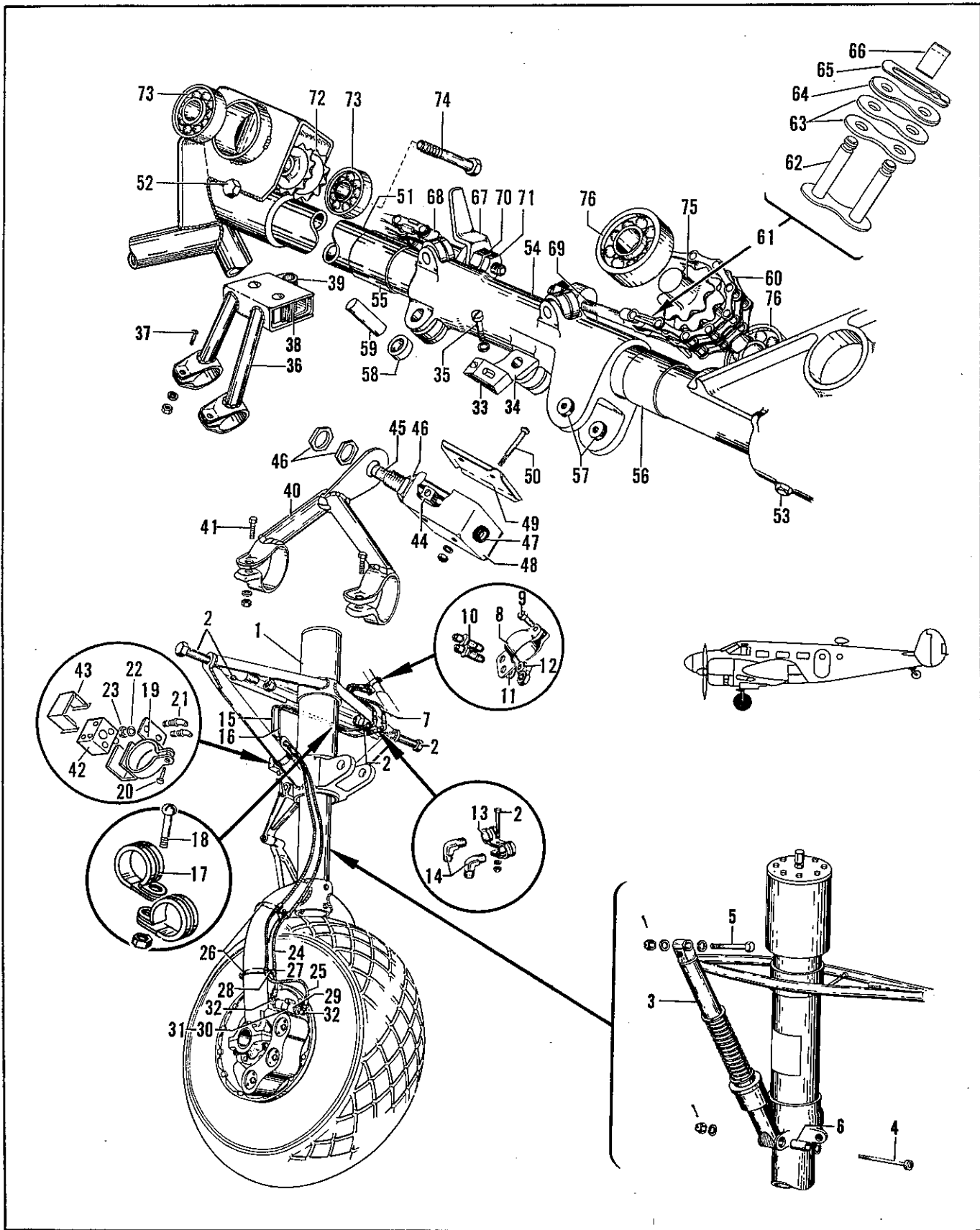


Figure 22. Landing Gear Installation

FIGURE and INDEX NUMBER	GROUP ALIGHTING GEAR							Units Per Ass'y	Usage on Code		
	MAJOR ASSEMBLY			LANDING GEAR INSTALLATION							
	PART NUMBER	1	2	3	4	5	6			7	NOMENCLATURE
22 -	404-188001								Landing Gear Installation LH (see Figure 1)	Ref	ALL
	404-188001-1								Landing Gear Installation RH (see Figure 1)	Ref	ALL
- 1	404-188400								Absorber Assembly - Landing gear shock LH (see Figure 23)	1	ALL
	404-188400-600								Absorber Assembly - Landing gear shock LH (use for spare part - consists of alighting gear complete - less wheel and brake assembly)	1	ALL
	404-188400-3								Absorber Assembly - Landing gear shock RH (see Figure 23)	1	ALL
	404-188400-601								Absorber Assembly - Landing gear shock RH (use for spare part - consists of alighting gear complete - less wheel and brake assembly)	1	ALL
		Attaching Parts									
- 2	404-188150								Bolt - Landing gear hinge	2	ALL
	AN365-1216								Nut - Self locking 3/4-16	2	ALL
	AN4-16								Bolt - Aircraft 1/4-28 x 1-3/4 in.	1	ALL
	AN4-21								Bolt - Aircraft 1/4-28 x 2-1/8 in.	1	ALL
	AN960-416								Washer - Plain 1/4 in.	5	ALL
	AN310-4								Nut - Castellated 1/4-28	2	ALL
	AN380-2-2								Pin - Cotter 1/16 x 1/2 in.	2	ALL
- 3	404-188027								Leg Assembly - Landing gear drag (see Figure 24)	1	ALL
		Attaching Parts									
- 4	NAS-149A-71								Bolt - Internal wrench 9/16-18 x 4-7/16 in.	1	ALL
	AN960-916								Washer - Plain 9/16	3	ALL
	AN310-9								Nut - Castellated 9/16-18	1	ALL
	AN380-4-4								Pin - Cotter 1/8 x 1 in.	1	ALL
- 5	894-188466								Bolt - Landing gear leg	1	ALL
	AN320-9								Nut - Castle shear 9/16-18	1	ALL
	AN380-4-5								Pin - Cotter 1/8 x 1-1/4 in.	1	ALL
- 6	404-188444								Bushing	1	ALL
- 7	AN6264-4								Hose Assembly	2	ALL
	-12-1/2										
- 8	404-188483								Clamp Assembly - Brake hose LH	1	ALL
	404-188483-1								Clamp Assembly - Brake hose RH	1	ALL
		Attaching Parts									
- 9	AN4-10A								Bolt - Aircraft 1/4-28 x 1 in.	1	ALL
	AN960-416								Washer - Plain 1/4	1	ALL
	AN365-428								Nut - Self locking 1/4-28	1	ALL
- 10	AN832-4D								Union - Bulkhead	2	ALL
- 11	AN960-A716								Washer - Plain 7/16	4	ALL
- 12	AN924-4D								Nut - Fitting	2	ALL
- 13	404-188484								Clamp - Landing gear brake (see item 2 - AN4-21 for attaching parts)	2	ALL
	644-188484								Bracket - Landing gear brake	1	ALL
- 14	AN821-4D								Elbow - 90 degree	2	ALL

FIGURE and INDEX NUMBER	GROUP ALIGHTING GEAR							Units Per Ass'y	Usage on Code	
	MAJOR ASSEMBLY LANDING GEAR INSTALLATION Cont'd.									
	PART NUMBER	1	2	3	4	5	6 7			NOMENCLATURE
22 - 15	404-187898							Tube Assembly - Co-pilot brake LH	1	ALL
	694-187898							Tube Assembly - Co-pilot brake LH	1	ALL
	404-187899							Tube Assembly - Pilot brake RH	1	ALL
	694-187899							Tube Assembly - Pilot brake RH	1	ALL
- 16	404-187897							Tube Assembly - Pilot brake LH	1	ALL
	404-187879							Tube Assembly - Co-pilot brake RH	1	ALL
- 17	AN742-6C							Clamp - Loop type support	1	ALL
		Attaching Parts								
- 18	AN525-10-8							Screw - Truss head No. 10-32 x 1/2 in.	1	ALL
	AN365-1032							Nut - Self locking No. 10-32	1	ALL
- 19	404-188482							Clamp Assembly - Landing gear V brace brake hose RH only	1	ALL
		Attaching Parts								
- 20	AN3-7A							Bolt - Aircraft No. 10-32 x 7/8 in.	1	ALL
	AN960-10							Washer - Plain No. 10	1	ALL
	AN365-1032							Nut - Self locking No. 10-32	1	ALL
- 21	AN837-4D							Elbow - 45-degree RH only	2	ALL
- 22	AN960-716							Washer - Plain 7/16 in RH only	2	ALL
- 23	AN924-4D							Nut - Bulkhead fitting RH only	2	ALL
- 24	AN6264-4							Hose Assembly - Co-pilot brake	1	ALL
	-32-3/4									
- 25	AN6264-4							Hose Assembly - Pilot brake	1	ALL
	-37-1/2									
- 26	404-188481							Clamp Assembly - Landing gear brake hose	2	ALL
- 27	AN742D-10C							Clamp	4	ALL
		Attaching Parts								
- 28	AN501A10-8							Screw - Fillister head No. 10-32 x 1/2 in.	2	ALL
	AN4-7A							Bolt - Aircraft 1/4-28 x 7/8 in.	2	ALL
	AN960-416							Washer - Plain 1/4	2	ALL
	AN365-428							Nut - Self locking 1/4-28	2	ALL
- 29	A42							Valve - Shuttle (HFP)	1	ALL
- 30	AN902-4							Gasket	2	ALL
	AN902-8							Gasket	1	ALL
- 31	AN924-4D							Nut - Bulkhead fitting	2	ALL
	AN924-8D							Nut	1	ALL
- 32	AN822-4D							Elbow - 90-degree	2	ALL
- 33	404-188024							Actuator - Light and limit switch upper	1	ALL
- 34	404-188025							Bracket - Light and limit switch actuator upper LH	1	ALL
	404-188025-1							Bracket - Light and limit switch actuator upper RH	1	ALL
		Attaching Parts								
- 35	AN503-8-6							Screw - Fillister head No. 8-32 x 3/8 in.	1	ALL
	AN960-8L							Washer - Plain No. 8	1	ALL
- 36	404-188022							Bracket Assembly - Light and limit switch upper LH	1	ALL



FIGURE and INDEX NUMBER	GROUP ALIGHTING GEAR							Units Per Ass'y	Usage on Code	
	MAJOR ASSEMBLY LANDING GEAR INSTALLATION									
	PART NUMBER	1	2	3	4	5	6 7			NOMENCLATURE
22 - 36	404-188022-1							Bracket Assembly - Light and limit switch upper RH	1	ALL
		Attaching Parts								
- 37	AN3-7							Bolt - Aircraft No. 10-32 x 7/8 in.	2	ALL
	AN960-10							Washer - Plain No. 10	2	ALL
	AN310-3							Nut - Castellated No. 10-32	2	ALL
	AN380-2-2							Pin - Cotter 1/16 x 1/2 in.	2	ALL
- 38	MS25008-1							Switch - LH (MCS)	1	ALL
	AN3210-1							Switch - RH (MCS)	1	ALL
- 39	AN-3169-1							Actuator	1	ALL
- 40	188022							Bracket Assembly - Light and limit switch lower LH	1	ALL
	188022-1							Bracket Assembly - Light and limit switch lower RH	1	ALL
		Attaching Parts								
- 41	AN3-7							Bolt - Aircraft No. 10-32 x 7/8 in.	2	ALL
	AN960-10							Washer - Plain No. 10	2	ALL
	AN310-3							Nut - Castellated No. 10-32	2	ALL
	AN380-2-2							Pin - Cotter 1/16 x 1/2 in.	2	ALL
- 42	BZRQ-41							Switch	1	ALL
- 43	404-188556							Dust cover	1	ALL
	AN931-4-7							Grommet	1	ALL
- 44	WZ-R31							Switch - LH (MCS)	1	ALL
	AN32101-1							Switch - RH	1	ALL
- 45	AN3167-1							Actuator	1	ALL
- 46	10-10377							Nut - (MCS)	3	ALL
- 47	AN931-7-11							Grommet	1	ALL
- 48	188023							Box limit switch lower LH	1	ALL
	188023-1							Box limit switch lower RH	1	ALL
- 49	188024							Cover Assembly - Limit switch lower LH	1	ALL
	188024-1							Cover Assembly - Limit switch lower RH	1	ALL
		Attaching Parts								
- 50	AN526-6-24							Screw - Truss head No. 6-32 x 1-1/2 in.	2	ALL
	AN960-6							Washer - Plain No. 6	2	ALL
	AN365-632							Nut - Self locking No. 6-32	2	ALL
- 51	414-188474-5							Tube Assembly - Landing gear slide	1	ALL
		Attaching Parts								
- 52	AN6-23M							Bolt - Aircraft 3/6-24 x 2-3/8 in.	1	ALL
	AN960-616							Washer - Plain 3/8	2	ALL
	AN310-6							Nut - Castellated 3/8-24	1	ALL
	AN380-3-3							Pin - Cotter 3/32 x 3/4 in.	1	ALL
- 53	404-188569							Bolt - Lower slide tube	1	ALL
	AN364-624							Nut - Self locking 3/8 - 24	1	ALL

Revised 20 Sep 68

FIGURE and INDEX NUMBER	GROUP ALIGHTING GEAR							Units Per Ass'y	Usage on Code	
	MAJOR ASSEMBLY LANDING GEAR INSTALLATION Cont'd.									
	PART NUMBER	1	2	3	4	5	6 7			NOMENCLATURE
22 - 54	894-188465							Slide Assembly - Landing Gear Retract	1	ALL
	404-188464-8							Slide Assembly - Landing Gear Retract	1	ALL
	404-188464-4							Slide - Landing gear mechanism	1	ALL
- 55	188453-1							Bushing - Retract slide	1	ALL
- 56	188453-2							Bushing - Retract slide	1	ALL
- 57	894-188478							Bushing - Retract slide	2	ALL
- 58	AN200KP4							Bearing	6	ALL
								Attaching Parts		
- 59	188456							Pin - Slide bearing	6	ALL
- 60	404-188006							Chain Assembly - Landing Gear Retract	1	ALL
	404-188006-2							Chain	1	ALL
- 61	C-62867							Repair Link - Chain Assembly - Landing gear retract	1	ALL
- 62	M62867							Plate Assembly	1	ALL
	M18867							Pin Plate	1	ALL
	42867							Pin	2	ALL
- 63	08867							Centre Plate (slip fit)	2	ALL
- 64	M18867							Pin Plate (press fit)	1	ALL
- 65	60867							Spring	1	ALL
- 66	S-34-1							Clip - Safety	1	ALL
- 67	404-188468							Lug - Landing gear limit switch actuator LH	1	ALL
	404-188468-1							Lug - Landing gear limit switch actuator RH	1	ALL
- 68	804-188540							Eye Bolt - Landing gear chain	1	ALL
- 69	404-188540							Eye Bolt		
- 70	AN315-6R							Nut - Plain 3/8-24	2	ALL
- 71	AN364-624C							Nut - Self-locking	2	ALL
- 72	804-188573							Sprocket - Landing gear mechanism upper	1	ALL
- 73	AN200-K6							Bearing - Landing gear mechanism	2	ALL
								Attaching Parts		
- 74	AN6-27							Bolt - Aircraft 3/8-24 x 2-7/8 in.	1	ALL
	AN960-616							Washer - Plain 3/8	1	ALL
	AN310-6							Nut - Castellated 3/8-24	1	ALL
	AN380-3-3							Pin - Cotter 3-32 x 3/4 in.	1	ALL
- 75	804-188563							Sprocket - Landing gear mechanism lower	1	ALL
- 76	AN201-K12A							Bearing	2	ALL
	184200-114							Keys Clamp	1	ALL



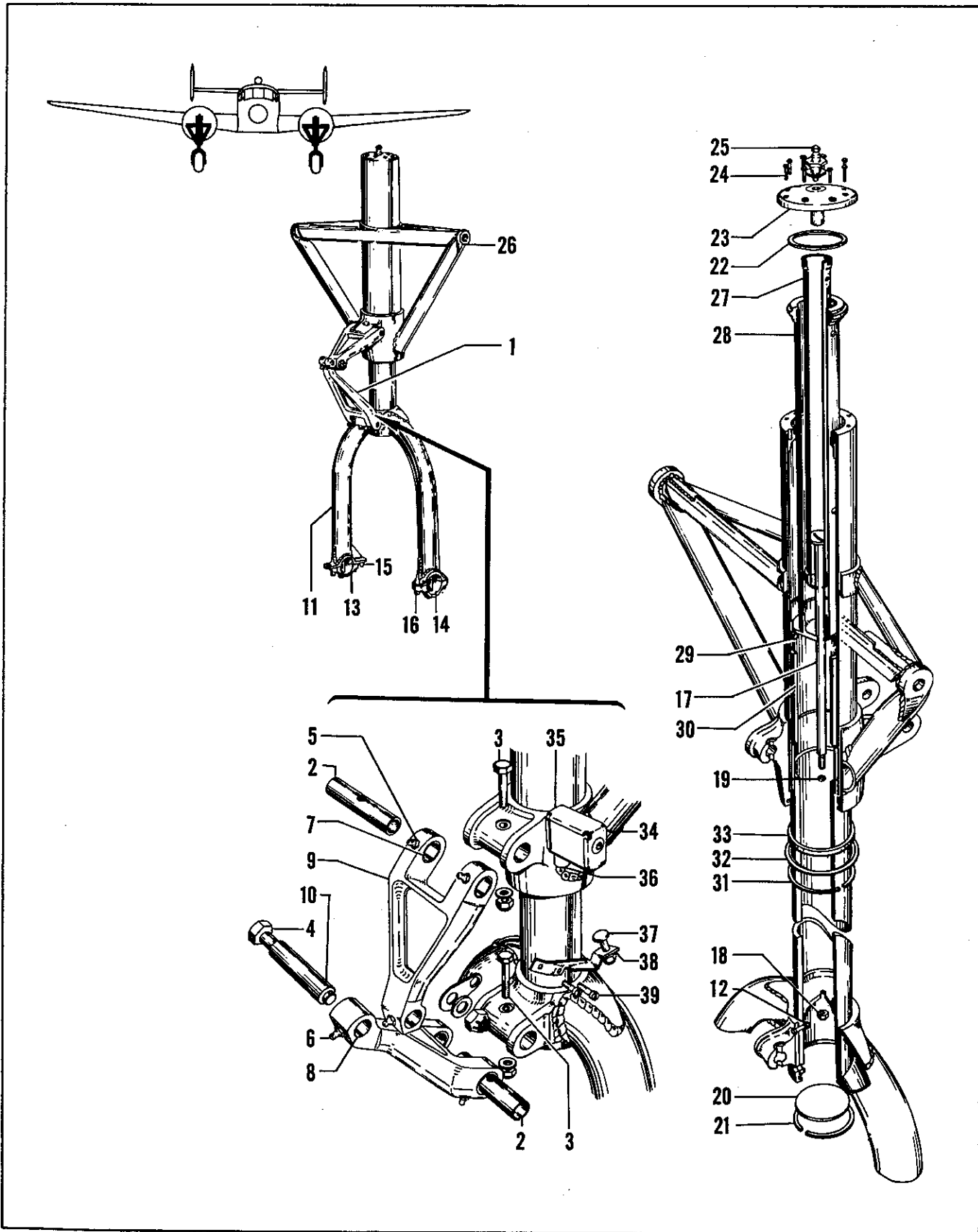


Figure 23. Landing Gear Shock Absorber Assembly

FIGURE and INDEX NUMBER	GROUP ALIGHTING GEAR							Units Per Ass'y	Usage on Code			
	MAJOR ASSEMBLY		LANDING GEAR SHOCK ABSORBER ASSEMBLY									
	PART NUMBER	1	2	3	4	5	6			7	NOMENCLATURE	
23 -	404-188400								Absorber Assembly - Landing gear shock LH (See Figure 22) OR	Ref	ALL	
	404-188400-600								Absorber Assembly - Landing gear shock LH (use for spare part-See Figure 22)	Ref	ALL	
	404-188400-3								Absorber Assembly - Landing gear shock RH (See Figure 22) OR	Ref	ALL	
	404-188400-601								Absorber Assembly - Landing gear shock RH (use for spare part - See Figure 22)	Ref	ALL	
- 1	404-188412								Knee Assembly - Landing gear torque	1	ALL	
		Attaching Parts:										
- 2	404-188413								Pin - Landing gear torque knee	2	ALL	
- 3	AN4-15A								Bolt - Aircraft 1/4-28 x 1-5/8 in.	2	ALL	
	AN960-416								Washer - Plain 1/4 in.	2	ALL	
	AN365-428								Nut - Self locking 1/4-28	2	ALL	
- 4	AN8-32								Bolt - Aircraft 1/2-20 x 3-1/4 in.	1	ALL	
	AN960-816								Washer - Plain 1/2 in.	1	ALL	
	AN310-8								Nut - Castellated 1/2-20	1	ALL	
	AN380-3-4								Pin - Cotter 3/32 x 1 in.	1	ALL	
- 5	AN944-301								Lubricator - Torque knee	2	ALL	
- 6	AN944-101A								Lubricator - Torque knee	1	ALL	
- 7	404-188414								Bushing - Torque knee	2	ALL	
- 8	404-188432								Bushing - Torque knee	1	ALL	
- 9	404-188412-2								Knee - Landing gear torque	2	ALL	
- 10	188434-2								Bushing	1	ALL	
- 11	404-188402								Piston and Fork Assembly - Landing gear LH OR	1	ALL	
	404-188402-12								Fork Assembly - Landing gear LH (use for spare part, consists of fork assembly and axle caps) OR	1	ALL	
	404-188401-602								Fork Assembly - Landing gear LH (same as and replaced by 404-188402-12)	1	ALL	
	404-188402-1								Piston and Fork Assembly - Landing gear RH OR	1	ALL	
	404-188402-13								Fork Assembly - Landing gear RH (use for spare part, consists of fork assembly and axle caps) OR	1	ALL	
	404-188401-603								Fork Assembly - Landing gear RH (same as and replaced by 404-188402-13)	1	ALL	
		Attaching Parts:										
- 12	AN4-10A(M)								Bolt - Aircraft 1/4-28 x 1 in.	4	ALL	
	AN960-416								Washer - Plain 1/4 in.	4	ALL	
	108492-S-416 -016								Washer - 1/4 in.	4	ALL	

FIGURE and INDEX NUMBER	GROUP ALIGHTING GEAR							Units Per Ass'y	Usage on Code	
	MAJOR ASSEMBLY LANDING GEAR SHOCK ABSORBER ASSEMBLY Cont'd									
	PART NUMBER	1	2	3	4	5	6 7			NOMENCLATURE
23 - 12	AN 365-428(M)							Nut - Self locking 1/4-28	4	ALL
- 13	404-188402-2							Cap - Landing gear	1	ALL
- 14	404-188402-4							Cap - Landing gear	1	ALL
- 15	404-188462							Stud - Landing gear axle bearing cap inboard	2	ALL
- 16	404-188442							Stud - Landing gear axle bearing cap outboard	2	ALL
	404-188402-10							Nut - Landing gear axle bearing cap outboard	2	ALL
	404-188402-8							Nut - Landing gear axle bearing cap inboard	2	ALL
- 17	404-188415							Stop - Landing gear extension	1	ALL
	Attaching Parts									
- 18	AN365-820							Nut - Self locking 1/2-20	1	ALL
- 19	AN6227-7							Packing	1	ALL
- 20	404-188456							Seal - Landing gear fork assembly	1	ALL
- 21	404-188455							Ring - Landing gear fork seal retainer	1	ALL
- 22	AN6230-12							Gasket	1	ALL
- 23	404-188438							Cap Assembly	1	ALL
	Attaching Parts									
- 24	AN74-5							Bolt - Drilled head 1/4-28 x 5/8 in.	8	ALL
- 25	AN6287-1							Valve Assembly	1	ALL
- 26	404-188406							Cylinder Assembly - Landing gear shock absorber	1	ALL
	404-180193							Placard - Cylinder LH	1	ALL
	694-180191							Placard - Cylinder RH	1	ALL
- 27	404-188417							Control Assembly - Landing gear rebound	1	ALL
- 28	404-188433							Cylinder Assembly - Landing gear inner	1	ALL
- 29	AN6227-44							Packing	1	ALL
- 30	404-188400-2							Pad - Felt	1	ALL
- 31	111200-10							Ring - Snap	1	ALL
- 32	111190-20							Ring - Scraper	1	ALL
- 33	114941							Ring - Wiper	1	ALL
- 34	404-188557L							Bracket Assembly - Landing gear safety switch LH	1	ALL
	404-188557R							Bracket Assembly - Landing gear safety switch RH	1	ALL
	Attaching Parts									
	AN4-7							Bolt - Aircraft 1/4-28 x 7/8 in.	1	ALL
	AN960-416							Washer - Plain 1/4 in.	1	ALL
	AN310-4							Nut - Castellated 1/4-28	1	ALL
	AN380-2-2							Pin - Cotter 1/16 x 1/2 in.	1	ALL
- 35	404-188556							Cover - Landing gear safety switch	2	ALL
- 36	BZ-RQ-41							Switch - Landing gear safety LH (MCS) OR	1	ALL
	404-188400-609L							Switch - Landing gear LH (use for spare part, consists of safety switch, bracket and cover)	1	ALL

FIGURE and INDEX NUMBER	GROUP ALIGHTING GEAR							Units Per Ass'y	Usage on Code	
	MAJOR ASSEMBLY			LANDING GEAR SHOCK ABSORBER ASSEMBLY Cont'd						
	PART NUMBER	1	2	3	4	5	6			7
23 - 36	BZ-RQ-41							Switch - Landing gear safety RH (MCS) OR	1	ALL
	404-188400 -609R							Switch - Landing gear RH (use for spare part, consists of safety switch, bracket and cover)	1	ALL
								Attaching Parts		
	AN502-6-4							Screw - Fillister head No. 6-32 x 1/4 in.	2	ALL
	AN960-6							Washer - Plain No. 6	2	ALL
- 37	404-188559							Bolt - Landing gear safety switch actuator	1	ALL
- 38	404-188558L							Actuator Assembly - Landing gear safety switch LH	1	ALL
	404-188558R							Actuator Assembly - Landing gear safety switch RH	1	ALL
								Attaching Parts		
- 39	AN503-8-6							Screw - Fillister head No. 8-32 x 3/8 in.	2	ALL
	AN960-8							Washer - Plain No. 8	2	ALL

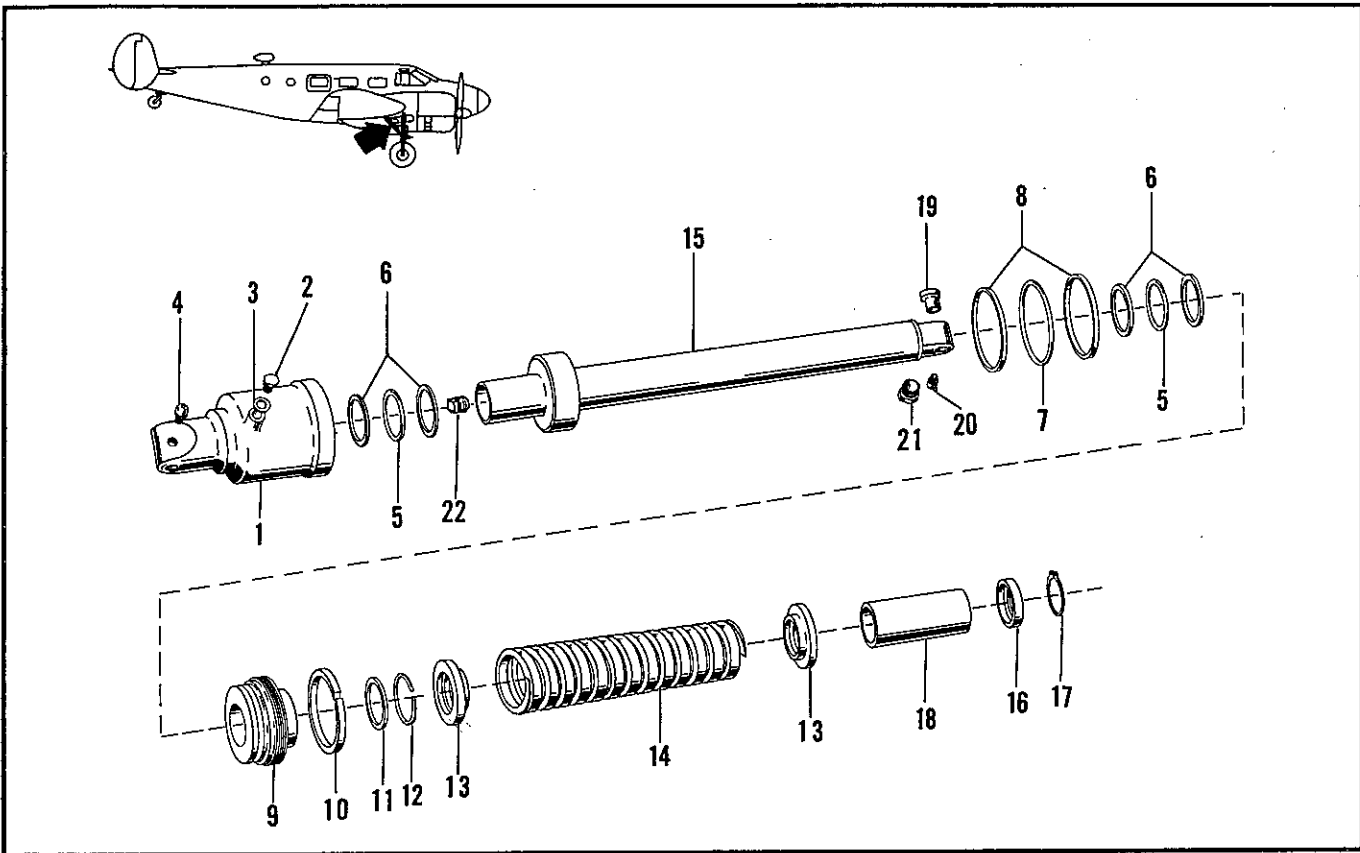


Figure 24. Landing Gear Drag Leg Assembly

FIGURE and INDEX NUMBER	GROUP ALIGHTING GEAR							Units Per Ass'y	Usage on Code		
	MAJOR ASSEMBLY LANDING GEAR DRAG LEG ASSEMBLY										
	PART NUMBER	1	2	3	4	5	6			7	NOMENCLATURE
24 -	404-188027								Leg Assembly - Landing gear drag (See Figure 22)	Ref	ALL
- 1	694-188006-1								Housing - Hydraulic drag leg	1	ALL
- 2	AN814-3								Plug	1	ALL
- 3	AN902-3								Gasket	1	ALL
- 4	NAS2-101								Lubricator	1	ALL
- 5	AN6227-29								Packing - "O" Ring	2	ALL
- 6	AN6246-29								Ring - Packing back-up	4	ALL
- 7	AN6230-11								Packing - "O" Ring	1	ALL
- 8	AN6244-11								Ring - Packing back-up	2	ALL
- 9	734-188008								Plug - Hydraulic drag leg	1	ALL
- 10	AN6232C-5-1/8								Ring - Wiper	1	ALL
- 11	AN6231-A18								Ring - Scraper	1	ALL
- 12	734-188010								Ring - Scraper lock	1	ALL
- 13	734-188011								Collar - Drag leg spring retainer	2	ALL
- 14	404-188036								Spring - Drag leg	1	ALL
- 15	404-188028								Piston Assembly - Hydraulic drag leg	1	ALL
- 16	734-188012								Collar - Drag leg sleeve retainer	1	ALL



FIGURE and INDEX NUMBER	GROUP ALIGHTING GEAR							Units Per Ass'y	Usage on Code		
	MAJOR ASSEMBLY LANDING GEAR DRAG LEG ASSEMBLY Cont'd										
	PART NUMBER	1	2	3	4	5	6			7	NOMENCLATURE
24 - 17	NAS51-162								Ring - Retainer	1	ALL
- 18	404-188027-2								Tube - Piston spring spacing	1	ALL
- 19	734-188022								Bushing	2	ALL
- 20	NAS2-201A								Lubricator	1	ALL
- 21	AN6287-1								Body - Valve	1	ALL
- 22	AN933-1								Plug	1	ALL

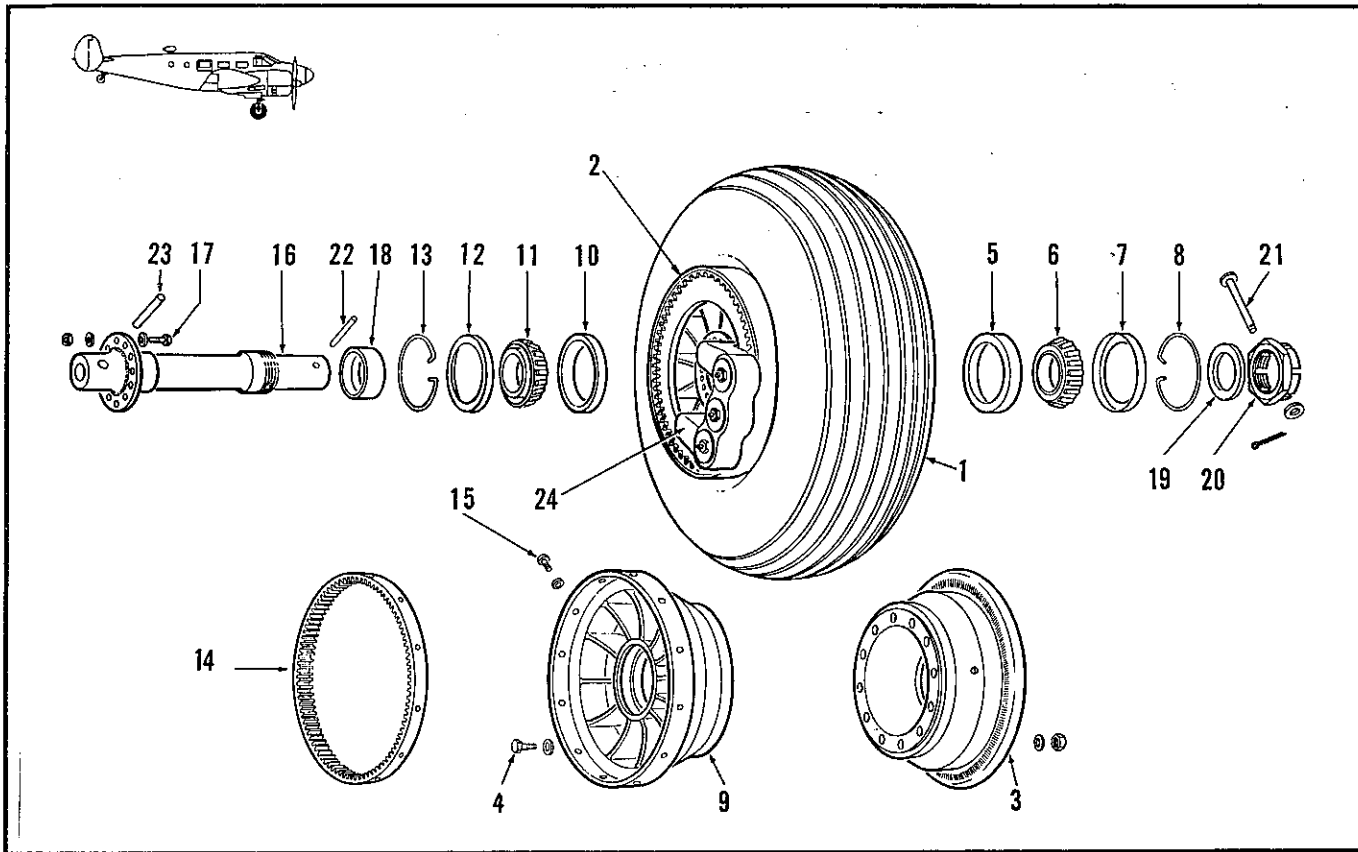


Figure 25. Brake and Wheel Assembly

FIGURE and INDEX NUMBER	GROUP ALIGHTING GEAR							Units Per Ass'y	Usage on Code		
	MAJOR ASSEMBLY BRAKE AND WHEEL ASSEMBLY										
	PART NUMBER	1	2	3	4	5	6			7	NOMENCLATURE
25 -	404-188001								Landing Gear Installation - LH (See Figure 22)	Ref	ALL
	404-188001-1								Landing Gear Installation - RH (See Figure 22)	Ref	ALL
- 1	11.00 x 12								Tire - (GY)	1	ALL
	11.00 x 12								Tube - (GY)	1	ALL
- 2	530884G								Main Wheel Assembly (GY)	1	ALL
- 3	9520647G								Wheel Half Assembly - Inboard (GY)	1	ALL
									Attaching Parts		
- 4	9520218								Bolt - Wheel Half (GY)	12	ALL
	95-4771								Washer - Wheel half bolt (GY)	24	ALL
	AN365-624								Nut - Self locking	12	ALL
- 5	39412								Cup - Bearing (GY)	1	ALL
- 6	39250								Cone - Bearing (GY)	1	ALL
- 7	9520136								Ring - Bearing closure (GY)	1	ALL
- 8	510779-23								Ring - Bearing closure retaining (GY)	1	ALL
- 9	9520648G								Wheel Half Assembly - Outboard (GY)	1	ALL
- 10	39412								Cup - Bearing (GY)	1	ALL
- 11	39250								Cone - Bearing (GY)	1	ALL

FIGURE and INDEX NUMBER	GROUP ALIGHTING GEAR							Units Per Ass'y	Usage on Code	
	MAJOR ASSEMBLY BRAKE AND WHEEL ASSEMBLY Cont'd									
	PART NUMBER	1	2	3	4	5	6 7			NOMENCLATURE
25 - 12	9520136							Ring - Bearing closure (GY)	1	ALL
- 13	510779-23							Ring - Bearing closure retaining (GY)	1	ALL
- 14	9530992							Ring - Gear drive (GY)	1	ALL
								Attaching Parts		
- 15	9521608							Screw - Drive ring retaining (GY)	12	ALL
	AN935-516L							Lockwasher - drive ring screw	12	ALL
- 16	404-188427							Axle - Wheel	1	ALL
								Attaching Parts		
- 17	AN5-11A							Bolt - Aircraft 5/16-24 x 1-1/8 in.	12	ALL
	AN960-516							Washer - Plain 5/16 in.	24	ALL
	AN365-524							Nut - Self locking 5/16-24	12	ALL
- 18	404-188425							Collar - Wheel Axle	1	ALL
- 19	404-188424							Washer - Wheel Bearing	1	ALL
- 20	AN7502-39							Nut - Wheel Bearing Retainer	1	ALL
- 21	AN393-93							Pin - Flat head 3/16 x 3-5/64	1	ALL
	AN960-10							Washer - Pin	1	ALL
	AN380-6-12							Pin - Cotter 3/16 x 3 in.	1	ALL
- 22	404-188443							Pin - Landing gear axle torque inboard	1	ALL
- 23	404-188422							Pin - Landing gear axle torque outboard	1	ALL
- 24	530886SG							Brake Assembly - (GY) (See Figure 26)	1	ALL

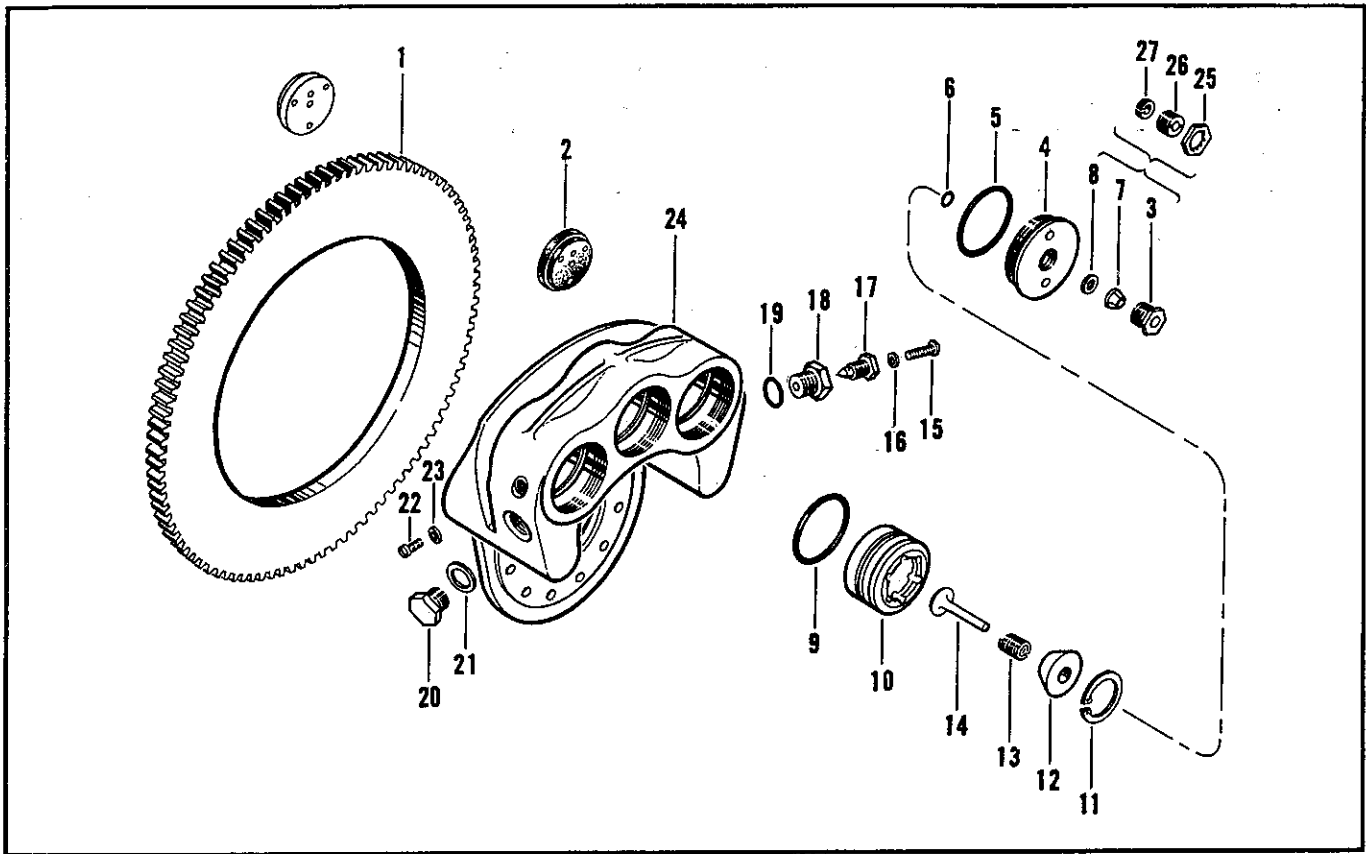


Figure 26. Brake Assembly

FIGURE and INDEX NUMBER	GROUP ALIGHTING GEAR							Units Per Ass'y	Usage on Code		
	MAJOR ASSEMBLY BRAKE ASSEMBLY										
	PART NUMBER	1	2	3	4	5	6			7	NOMENCLATURE
26 -	530886SG								Brake Assembly (GY) (See Figure 25)	Ref	ALL
- 1	9530993								Disc - Rotating brake (GY)	1	ALL
- 2	9521604								Lining - Brake (GY)	6	ALL
- 3	9510894								Nut - Adjusting pin (GY)	3	ALL
- 4	9521603								Head - Brake cylinder (GY)	3	ALL
- 5	AN6230-6B								Seal - Brake cylinder head	3	ALL
- 6	AN6227-5								Seal - Adjusting pin "O" Ring	3	ALL
- 7	9510895								Grip - Adjusting pin (GY)	3	ALL
- 8	511820-7								Washer - Adjusting pin (GY)	3	ALL
- 9	AN6227-30								Seal - Piston "O" Ring	3	ALL
- 10	511921M								Piston - Brake cylinder (GY)	3	ALL
- 11	NAS50-137P								Ring - Spring plate lock	3	ALL
- 12	511812-A								Spring guide (GY)	3	ALL
- 13	511811								Spring - Brake release (GY)	3	ALL
- 14	511810								Pin - adjusting (GY)	3	ALL
- 15	AN520-10-5								Screw - Bleeder	1	ALL
- 16	511846-4								Washer - Plain bleeder (GY)	1	ALL
- 17	AN6204-1								Valve - Brake bleeder	1	ALL

FIGURE and INDEX NUMBER	GROUP ALIGHTING GEAR							Units Per Ass'y	Usage on Code		
	MAJOR ASSEMBLY BRAKE ASSEMBLY Cont'd										
	PART NUMBER	1	2	3	4	5	6			7	NOMENCLATURE
26 - 18	9511157								Adapter - Bleeder Valve (GY)	1	ALL
- 19	AN6290-8								Gasket - Bleeder and inlet (GY)	1	ALL
- 20	512054								Bushing - Fluid inlet (GY)	1	ALL
- 21	AN6290-8								Gasket - Bleeder and inlet	1	ALL
- 22	AN501A10-4								Screw - Bleeder	2	ALL
- 23	511846-4								Washer - Bleeder (GY)	2	ALL
- 24	9540666								Housing - Brake cylinder (GY)	1	ALL
- 25	58L18*								Nut (GY)	3	ALL
- 26	9522159*								Bushing - Threaded (GY)	3	ALL
- 27	9522164*								Grip - Torqueless (GY)	3	ALL
*These parts used with non-torquing brake only											

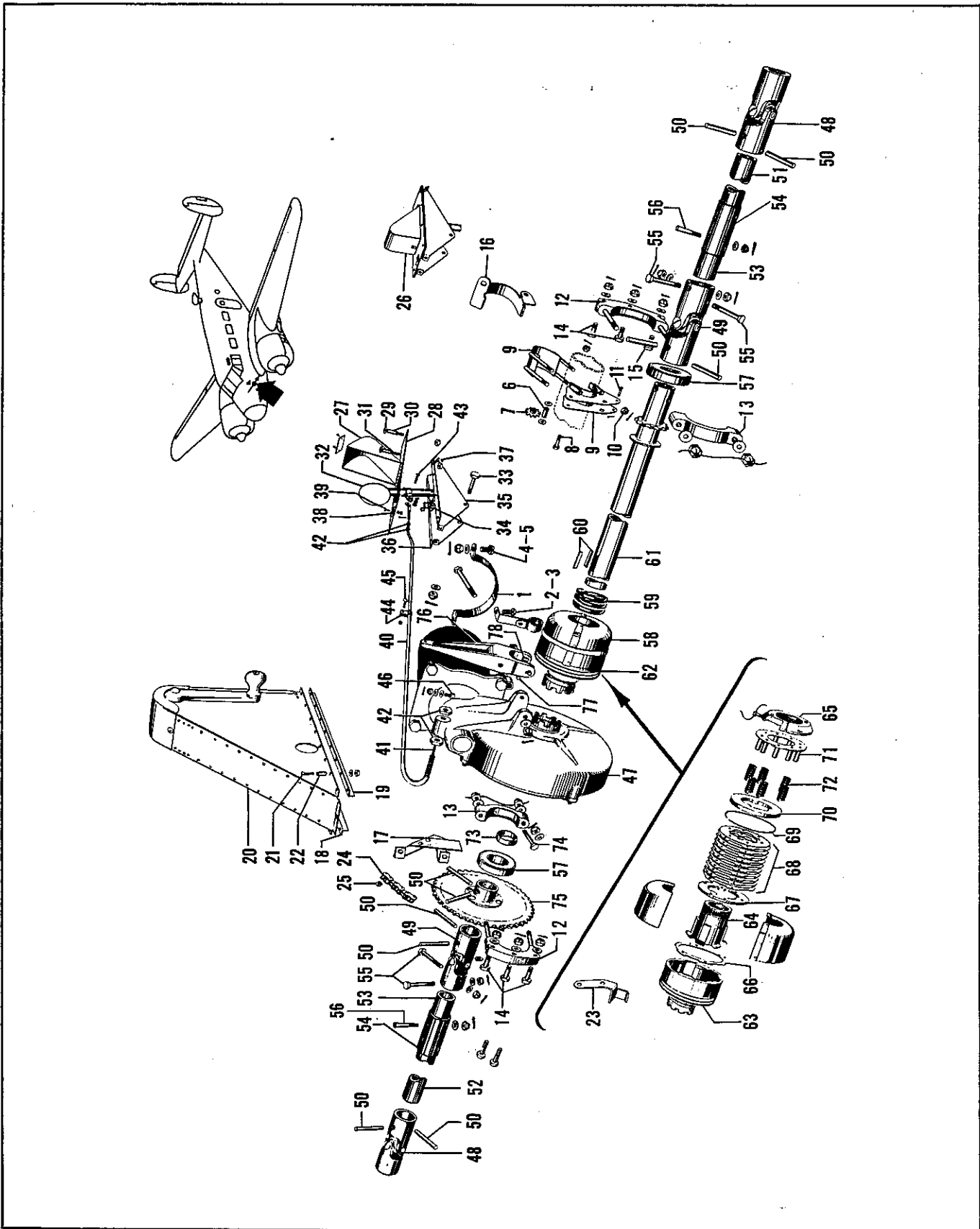


Figure 27. Landing Gear Retract Mechanism Installation

FIGURE and INDEX NUMBER	GROUP ALIGHTING GEAR							Units Per Ass'y	Usage on Code	
	MAJOR ASSEMBLY LANDING GEAR RETRACT MECHANISM INSTALLATION									
	PART NUMBER	1	2	3	4	5	6 7			NOMENCLATURE
27 -	404-188005	Mechanism Installation - Landing gear retract (See Figure 1)							Ref	ALL
- 1	404-184321*	Bracket - Landing gear motor brush cover							1	ALL
	734-184321**	Bracket - Landing gear motor brush cover							1	ABC
	184321-1	Bracket - Landing gear motor brush cover							1	D
	Attaching Parts									
- 2	AN4-5	Bolt - Aircraft 1/4-28 x 5/8 in.							1	D
- 3	AN4-6	Bolt - Aircraft 1/4-28 x 3/4 in.							1	ABC
	AN310-4	Nut - Castellated 1/4-28							2	ALL
	AN960-416	Washer - Plain 1/4 in.							2	ALL
	AN380-2-2	Pin - Cotter 1/16 x 1/2 in.							2	ALL
- 4	AN500-8-6***	Screw - Fillister head No. 8 x 3/8 in.							1	D
- 5	AN500-8-4***	Screw - Fillister head No. 8 x 1/4 in.							1	D
- 6	188009	Bushings - Tail wheel retract sprocket							2	ALL
- 7	188562	Sprocket - Tail wheel retract cable							2	ALL
	Attaching Parts									
- 8	AN4-11A	Bolt - Aircraft 1/4-28 x 1-1/8 in.							2	ALL
	AN365-428	Nut - Self locking 1/4-28							2	ALL
	AN960-416	Washer - Plain 1/4 in.							4	ALL
- 9	188521-1	Bracket - Tail wheel sprocket							1	ALL
	Attaching Parts									
- 10	AN365-428	Nut - Self locking 1/4-28							4	ALL
- 11	AN392-23	Pin - Flat head 1/8 x 23/32 in.							1	ALL
	AN380-2-2	Pin - Cotter 1/16 x 1/2 in.							1	ALL
	188503	Housing - Bearing landing gear cross shaft							2	ALL
- 12	188503-1	Housing - Bearing landing gear cross shaft							2	ALL
- 13	188503-2	Housing - Bearing landing gear cross shaft							2	ALL
	Attaching Parts									
- 14	AN3-11	Bolt - Aircraft No. 10-32 x 1-1/8 in.							5	ALL
- 15	AN3-12	Bolt - Aircraft No. 10-32 x 1-1/4 in.							1	ALL
	AN310-3	Nut - Castellated No. 10-32							6	ALL
	AN960-10	Washer - Plain No. 10							6	ALL
	AN380-2-2	Pin - Cotter 1/16 x 1/2 in.							6	ALL
	AN310-4	Nut - Castellated 1/4-28							4	ALL
	AN960-416L	Washer - Plain 1/4 in.							4	ALL
- 16	188851-1	Guard - Tail wheel retract chain							1	ALL
- 17	804-188015	Guard Assembly - Hand crank chain							1	ALL
	*Use with 84-188590 Landing Gear Motor									
	**Use with 10559 Landing Gear Motor (LEL)									
	***Used on 184321-1 Bracket									

FIGURE and INDEX NUMBER	GROUP ALIGHTING GEAR							Units Per Ass'y	Usage on Code		
	MAJOR ASSEMBLY		LANDING GEAR RETRACT MECHANISM INSTALLATION Cont'd								
	PART NUMBER	1	2	3	4	5	6			7	NOMENCLATURE
27 - 18	404-188005-2								Angle - Support assembly hand crank LH	1	ABC
	804-188005-2								Angle - Support assembly hand crank LH	1	D
- 19	404-188005-3								Angle - Support assembly hand crank RH	1	ABC
	804-188005-3								Angle - Support assembly hand crank RH	1	D
- 20	804-188519								Support Assembly - Landing gear and flap hand crank (See Figure 28)	1	ALL
	Attaching Parts										
- 21	AN526-8-16								Screw - Round head No. 8-32 x 1 in.	16	ALL
	AN526-8-18								Screw - Round head No. 8-32 x 1-1/8 in.	2	ALL
	AN365-832								Nut - Self locking No. 8-32	18	ALL
- 22	100696-D08-06 -018								Spacer	18	ALL
- 23	804-188017								Guard - Landing gear retracting chain	1	ALL
- 24	804-188007								Chain - Landing gear retract hand crank	1	ALL
- 25	S34-2								Clip - Landing gear retract hand crank safety	1	ALL
- 26	404-188950 188950								Release Assembly - Clutch	1	ABC
									Release Assembly - Clutch	1	D
- 27	18316								Cover - Clutch release	1	ALL
- 28	188955								Plate - Clutch release	1	ALL
	Attaching Parts										
- 29	AN526-832-16								Screw - Truss head No. 8-32 x 1 in.	10	ALL
- 30	S220-1								Bushing	10	ALL
- 31	AN526-832-18 AN960-8								Screw - Truss head No. 8-32 x 1-1/8 in.	2	ALL
									Washer - Plain No. 8	10	ALL
- 32	188951-1								Pedal Assembly - Clutch release	1	ALL
	Attaching Parts										
- 33	AN4-15								Bolt - Aircraft 1/4-28 x 1-5/8 in.	1	ALL
	AN380-2-2								Pin - Cotter 1/16 x 1/2 in.	1	ALL
	AN310-4								Nut - Castellated 1/4-28	1	ALL
	AN960-416								Washer - Plain 1/4 in.	1	ALL
- 34	S130								Spring - Clutch release pedal	1	ALL
- 35	404-188957								Bracket - Pedal clutch release	1	ALL
- 36	404-188958								Bracket - Pedal clutch release	1	ALL
	Attaching Parts										
- 37	AN515-8-8								Screw - Round head No. 8-32 x 1/2 in.	2	ALL
	AN365-832								Nut - Self locking No. 8-32	2	ALL
	AN960-8								Washer - Plain No. 8	2	ALL
- 38	404-188951								Strike - Clutch release pedal cover	1	ALL
	Attaching Parts										
- 39	AN515-4-14								Screw - Round head No. 4-40 x 7/8 in.	2	ALL
	AN960-4								Washer - Plain No. 4	2	ALL
	AN935-4								Washer - Lock No. 4	2	ALL
	AN340-4								Nut - No. 4-40	2	ALL



Figure and Index Number	Group ALIGHTING GEAR						Units per Assy	Usage on Code		
	Major Assembly LANDING GEAR RETRACT MECHANISM INSTALLATION Cont'd									
	Part	1	2	3	4	5 6 7			Nomenclature	
27 - 40	188953							Housing - Clutch release cable	1	ALL
- 41	188010							Cable Assembly - Clutch release	1	ALL
								Attaching Parts		
- 42	AN316-4R							Nut - Check 1/4-28	4	ALL
- 43	AN393-11							Pin - Flat head 3/16 x 11/32 in.	1	ALL
	AN380-2-2							Pin - Cotter 1/16 x 1/2 in.	2	ALL
	AN960-10L							Washer - Plain No. 10	3	ALL
- 44	AN742-4							Clip	3	ALL
- 45	AN515-8-6							Screw - Round head No. 8-32 x 3/8 in.	1	ALL
	AN365-832							Nut - Self locking No. 8-32	1	ALL
- 46	188956							Bolt - Landing gear clutch release cable	1	ALL
	AN365-524							Nut	1	ALL
	AN960-516L							Washer - Plain 5/16 in.	2	ALL
	AN960-516							Washer	1	ALL
	804-188500							Mechanism Assembly - Landing gear retract	1	ALL
								OR		
	804-188500-650							Mechanism Assembly - Overboard shaft LH (use for spare part - consists of tubing, pins, washers, nuts, cotter pins and universal)	1	ALL
	804-188500-640							Mechanism Assembly - Outboard shaft RH (use for spare part - consists of tubing, pins, washers, nuts, cotter pins and universal)	1	ALL
- 47	84-188900							Motor Assembly - Landing gear retract mechanism (see Figure 29)	1	ALL
	7535A							Motor - (Electric Specialty Co.) (use for spare part - consists of complete motor unit)	1	ALL
								OR		
	84-188590*							Motor - (Electric Specialty Co.) (use for spare part - altered from Electrical Specialty Co., Type HCA3 Part 7535 - ELSP)	1	ALL
								OR		
	10559*							Motor - (Leland Electric) (use for spare part - consists of complete motor unit)	1	ALL
	84-188900-3							Gear Box Assembly - Landing gear retract mechanism (use for spare part - consists of castings, clutch, washers, bearings, keys, screws, bolts and nuts)	1	ALL
- 48	404-188507							Universal - Cross shaft outboard	2	ALL
- 49	404-188506							Universal - Cross shaft inboard	2	ALL
								* These parts are interchangeable - RCAF ref. 5CA/6.		

FIGURE and INDEX NUMBER	GROUP ALIGHTING GEAR							Units Per Ass'y	Usage on Code	
	MAJOR ASSEMBLY LANDING GEAR RETRACT MECHANISM INSTALLATION Cont'd									
	PART NUMBER	1	2	3	4	5	6 7			NOMENCLATURE
27 -										
- 50	804-188500-3							Attaching Parts Bar - 1/4 x 1-3/8 in.	10	ALL
- 51	804-188500-10							Tube - Landing gear shaft RH	1	ALL
- 52	804-188500-8							Tube - Landing gear shaft LH	1	ALL
- 53	804-188500-4							Tube - Landing gear shaft	2	ALL
- 54	804-188500-6							Coupling - Landing gear shaft	2	ALL
								Attaching Parts		
- 55	AN4-15							Bolt - Aircraft 1/4-28 x 1-5/8 in.	4	ALL
	AN310-4							Nut - Castellated 1/4-28	4	ALL
	AN960-416							Washer - Plain 1/4 in.	4	ALL
	AN380-2-2							Pin - Cotter 1/16 x 1/2 in.	12	ALL
- 56	AN386-1-10							Pin - Taper No. 1	8	ALL
	AN975-3							Washer - taper pin No. 10	8	ALL
	AN320-3							Nut - Castle shear No. 10-32	8	ALL
- 57	K16A							Bearing - Landing gear cross shaft (FAF)	2	ALL
- 58	188914							Cover - Landing gear clutch	1	ALL
- 59	188508A							Spring - Landing gear clutch	1	ALL
- 60	105151-R- 01312							Key - Landing gear clutch	2	ALL
- 61	188501							Shaft - Cross	1	ALL
- 62	404-188910							Clutch - Landing gear retract mechanism	1	ALL
- 63	404-188913							Housing - Landing gear clutch	1	ALL
- 64	188912							Hub - landing gear clutch	1	ALL
- 65	188913							Nut - Adjustment	1	ALL
	AN502-10-16							Screw	1	ALL
	AN995-5NC-40							Lock wire	AR	ALL
- 66	42088							Spacer - Landing gear clutch (EC)	1	ALL
- 67	13210							Washer - Packing (EC)	1	ALL
- 68	60344							Packs - Clutch (EC)	1	ALL
- 69	14942							Ring - Lock (EC)	1	ALL
- 70	15142							Spacer - Landing gear clutch (EC)	1	ALL
- 71	15191							Ring - Landing gear clutch (EC)	1	ALL
- 72	110207							Spring - Landing gear clutch	6	ALL
- 73	188509-1							Collar - Cross shaft	1	ALL
								Attaching Parts		
- 74	AN3-16							Bolt - Aircraft No. 10-32 x 1-3/4 in.	1	ALL
	AN310-3							Nut - Castellated No. 10-32	1	ALL
	AN960-10							Washer - Plain No. 10	1	ALL
	AN380-2-2							Pin - Cotter 1/16 x 1/2 in.	1	ALL
- 75	804-188502							Sprocket Assembly - Cross shaft	1	ALL
	804-188504							Hub - Sprocket assembly	1	ALL
	804-188503							Sprocket - Cross shaft	1	ALL
- 76	188906							Lever - Landing gear clutch shifting	1	ALL

FIGURE and INDEX NUMBER	GROUP ALIGHTING GEAR							Units Per Ass'y	Usage on Code	
	MAJOR ASSEMBLY		LANDING GEAR RETRACT MECHANISM INSTALLATION Cont'd							
	PART NUMBER	1	2	3	4	5	6			7
27 -	Attaching Parts									
- 77	AN4-27							Bolt - Aircraft 1/4-28 x 2-7/8 in.	1	ALL
	AN310-4							Nut - Castellated 1/4-28	1	ALL
	AN380-2-2							Pin - Cotter 1/16 x 1/2 in.	1	ALL
	AN960-416							Washer - Plain 1/4 in.	1	ALL
- 78	188907							Fingers - Shifting lever clutch	1	ALL

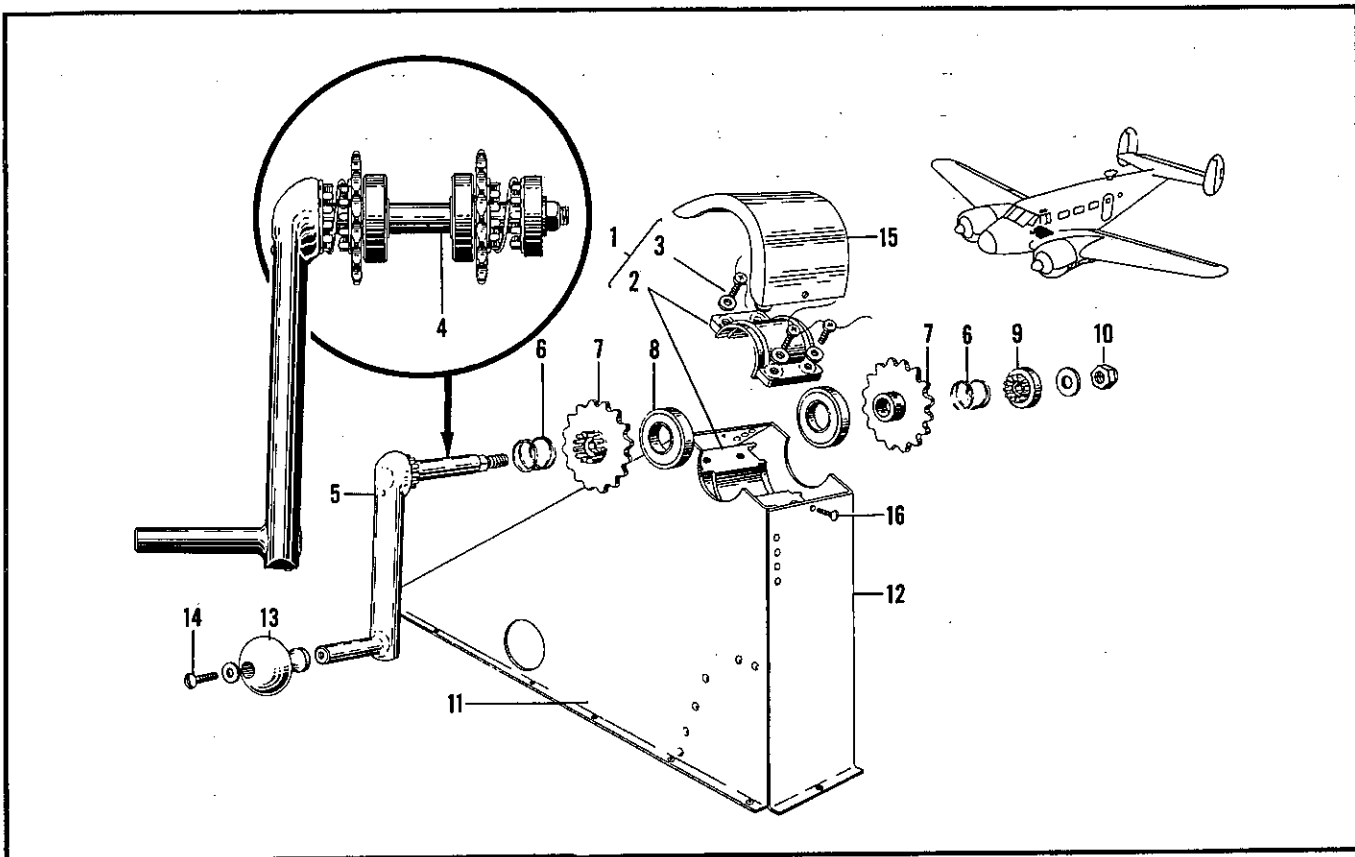


Figure 28. Landing Gear and Flap Hand Crank Support Assembly

FIGURE and INDEX NUMBER	GROUP ALIGHTING GEAR							Units Per Ass'y	Usage on Code		
	MAJOR ASSEMBLY LANDING GEAR - FLAP HAND CRANK SUPPORT ASSEMBLY										
	PART NUMBER	1	2	3	4	5	6			7	NOMENCLATURE
28 -	804-188519								Support Assembly - Landing gear and flap hand crank (See Figure 27)	Ref	ALL
- 1	188511								Housing Assembly - Landing gear and flap hand crank	1	ALL
- 2	188512								Cap - Landing gear crank housing assembly	1	ALL
	188513								Base - Landing gear crank housing assembly	1	ALL
									Attaching Parts		
- 3	AN500-A-10-10								Screw - Fillister head No. 10-32 x 5/8 in.	4	ALL
	AN960-10								Washer - Plain No. 10	4	ALL
- 4	188518								Crank Assembly - Landing gear and flap support	1	ALL
- 5	188515								Handle Assembly - Landing gear and flap crank	1	ALL
- 6	188516								Spring - Landing gear hand crank assembly	2	ALL
	188518-1								Bearing and Sprocket Assembly	2	ALL
- 7	188561-1								Sprocket - Landing gear hand crank assembly	1	ALL
- 8	AN201-K10A								Bearing - Landing gear hand crank assembly	1	ALL
- 9	188568								Sprocket - Landing gear crank assembly	1	ALL

FIGURE and INDEX NUMBER	GROUP ALIGHTING GEAR							Units Per Ass'y	Usage on Code				
	MAJOR ASSEMBLY LANDING GEAR FLAP HAND CRANK SUPPORT ASSEMBLY Cont'd												
	PART NUMBER	1	2	3	4	5	6			7	NOMENCLATURE		
28 -													
- 10	AN365-524												
	AN960-516												
- 11	804-188523												
- 12	804-188522												
- 13	188517												
- 14	AN526-8-10												
	AN960-8												
- 15	188532												
- 16	AN515-8-5												

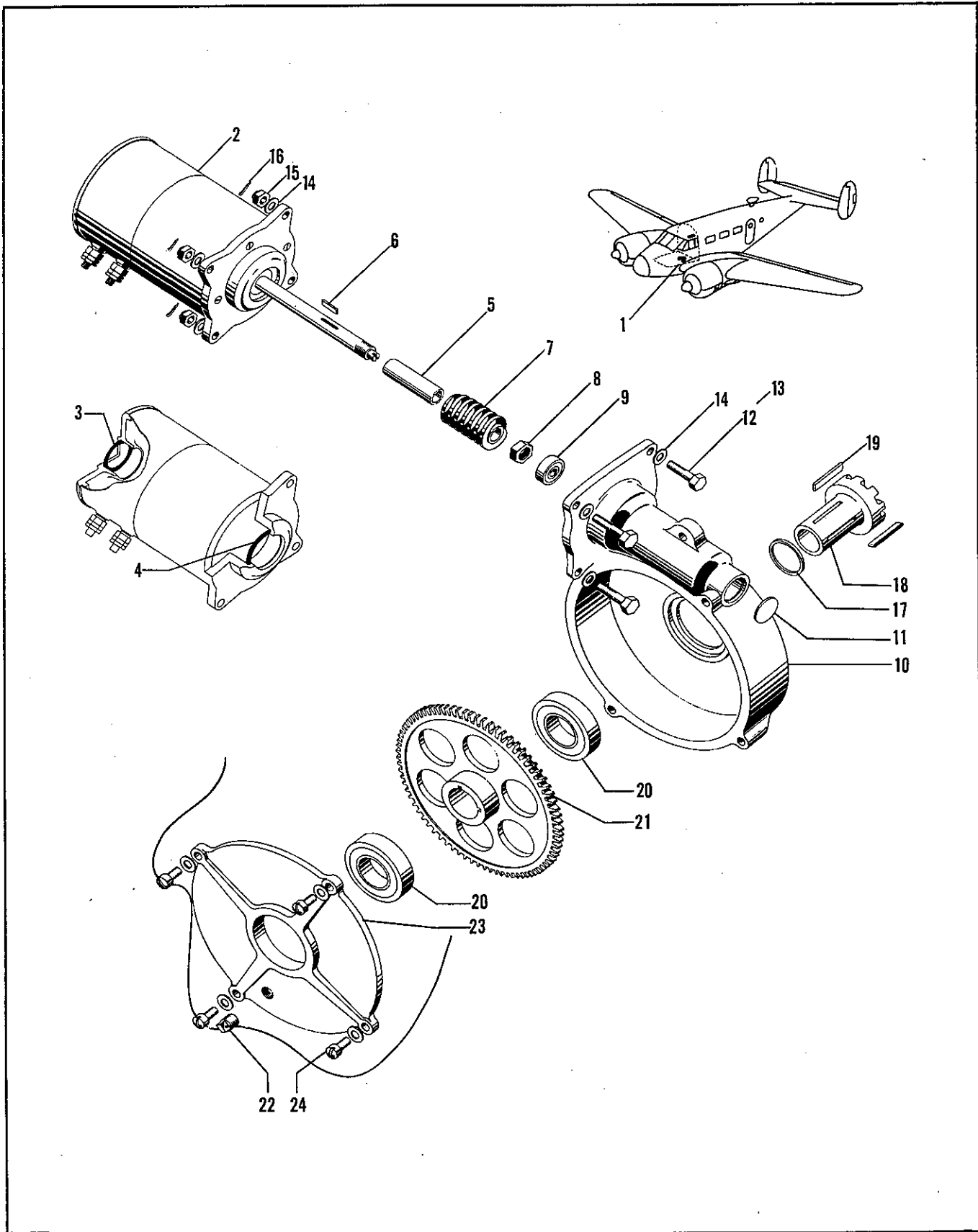


Figure 29. Landing Gear Motor Assembly

FIGURE and INDEX NUMBER	GROUP ALIGHTING GEAR							Units Per Assy	Usage on Code		
	MAJOR ASSEMBLY		LANDING GEAR MOTOR ASSEMBLY								
	PART NUMBER	1	2	3	4	5	6			7	NOMENCLATURE
29 -	84-188900								Motor Assembly - Landing gear (See Figure 27)	Ref	ALL
	84-188900-3								Gear Box Assembly - Landing gear Motor (use for spare part - See Figure 27)	Ref	ALL
-1	824-188895								Motor and Gear Assembly - Landing gear retract	1	ALL
-2	10559 *								Motor Assembly - Landing Gear (use for spare part - See Figure 27)	Ref	ALL
									or		
	84-188590 *								Motor Assembly - Landing Gear (use for spare part - see Figure 27)	Ref	ALL
-3	824-188895-2								Shim	AR	ALL
-4	824-188895-4								Shim	AR	ALL
-5	824-188896								Spader - (For 84-188590 motor)	1	ALL
-6	AN280-H406								Key - Woodruff 1/8 - 3/4 in. (for 10559 motor)	1	ALL
	188909								Key - (For 84-188590 motor)	1	ALL
-7	824-188904								Gear	1	ALL
-8	AN316-8R								Nut - Check 1/2-20	1	ALL
-9	AN201-KP6A								Bearing	1	ALL
-10	188901								Housing - Gear	1	ALL
-11	188900-1								Plug - Welch	1	ALL
-12	AN5-10								Bolt - Aircraft 5/16-24 x 1 in.	3	ALL
-13	AN5-11								Bolt - Aircraft 4/16-24 x 1-1/8 in.	1	ALL
-14	AN960-516								Washer - Plain 5/16 in.	8	ALL
-15	AN310-5								Nut - Castellated 5/16-24	4	ALL
-16	AN380-2-3								Pin - Cotter 1/16 x 3/4 in.	4	ALL
-17	188905A3								Spacer - Clutch	1	ALL
-18	188905A1								Clutch - Worm gear	1	ALL
-19	188908								Key - Clutch	2	ALL
-20	AN201KP20A								Bearing	2	ALL
-21	404-188959								Gear - Landing gear motor wheel	1	ALL
-22	AN933B1								Plug - Housing	1	ALL
-23	188902								Cover - Housing	1	ALL
									Attaching Parts		
-24	AN500-A10-10								Screw - Fillister head No. 10-32 x 5/8 in.	4	ALL
	AN960-10								Washer - Plain No. 10	4	ALL
									* These parts are interchangeable.		

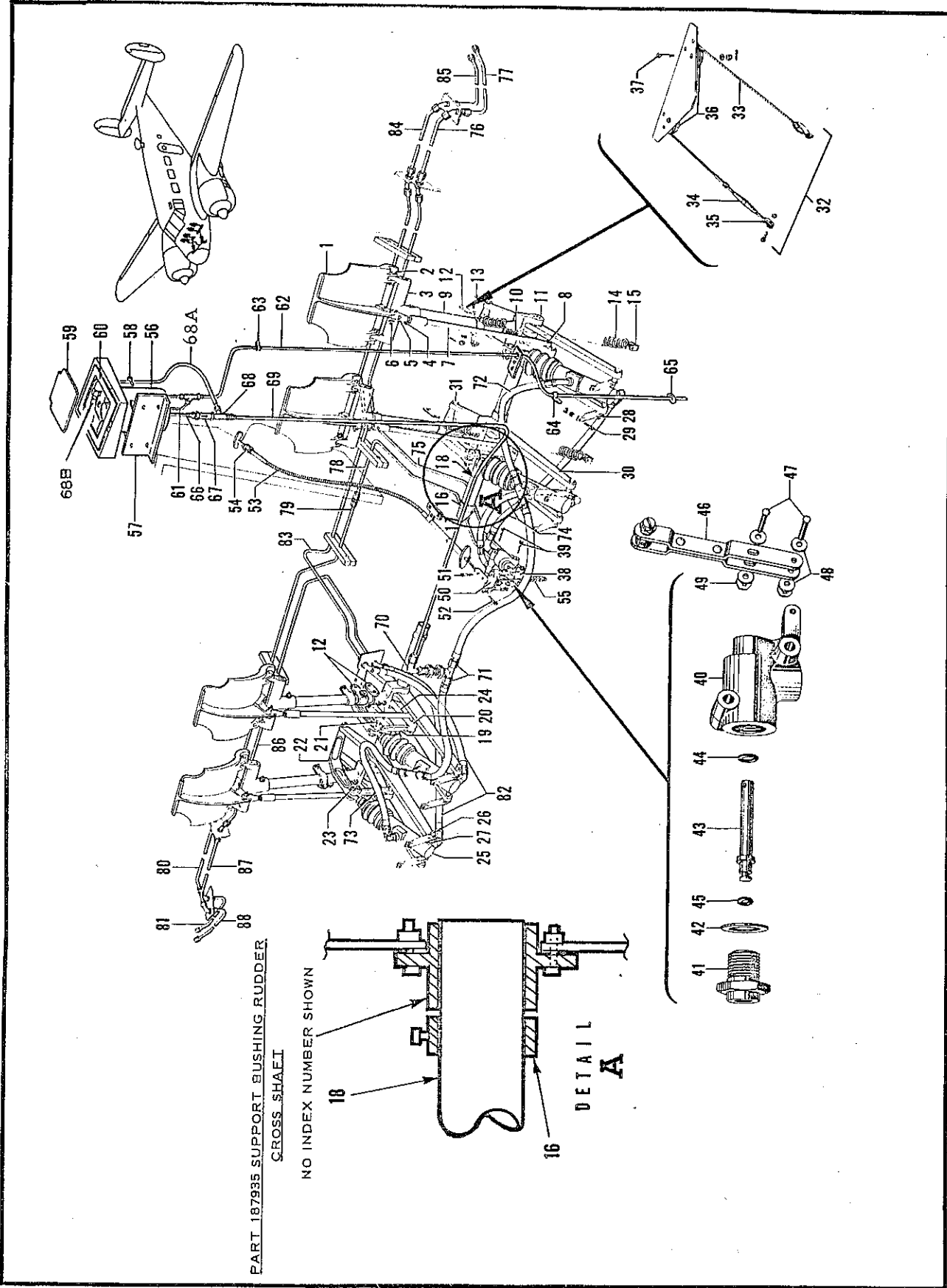


Figure 30 (Issue 2) Dual Brake System Installation



FIGURE and INDEX NUMBER	GROUP ALIGHTING GEAR							Units	Usage		
	MAJOR ASSEMBLY DUAL BRAKE SYSTEM INSTALLATION							Per	on		
	PART NUMBER	1	2	3	4	5	6	7	NOMENCLATURE	Ass'y	Code
30 -	404-187940	Brake Installation - Dual system LH (see Figure 1)							Ref	ALL	
	404-187940-1	Brake Installation - Dual system RH (see Figure 1)							Ref	ALL	
- 1	35-524011	Pedal - Rudder and brake							2	ALL	
	Attaching Parts										
- 2	AN3-10	Bolt - Aircraft No. 10-32 x 1 in.							2	ALL	
	AN960-10L	Washer - Plain No. 10							2	ALL	
	AN310-3	Nut - Castellated No. 10-32							2	ALL	
	AN380-2-2	Pin - Cotter 1/16 x 1/2 in.							2	ALL	
- 3	404-187929	Hanger - Rudder pedal							2	ALL	
	Attaching Parts										
- 4	AN3-13A	Bolt - Aircraft No. 10-32 x 1-3/8 in.							1	ALL	
	AN960-10	Washer - Plain No. 10							1	ALL	
	AN365-1032	Nut - Self locking No. 10-32							1	ALL	
- 5	404-187942	Terminal - Brake rod upper							2	ALL	
	Attaching Parts										
- 6	AN3-6	Bolt - Aircraft No. 10-32 x 3/4 in.							1	ALL	
	AN310-3	Nut - Castellated No. 10-32							1	ALL	
	AN960-10L	Washer - Plain No. 10							1	ALL	
	AN380-2-2	Pin - Cotter 1/16 x 1/2 in.							1	ALL	
- 7	644-187944	Rod Assembly - Brake							2	ALL	
	Attaching Parts										
- 8	AN3-11	Bolt - Aircraft No. 10-32 x 1-1/8 in.							1	ALL	
	AN310-3	Nut - Castellated No. 10-32							1	ALL	
	AN960-10L	Washer - Plain No. 10							1	ALL	
	AN380-2-2	Pin - Cotter 1/16 x 1/2 in.							1	ALL	
- 9	404-187948	Support Assembly - Rudder pedal LH							1	ALL	
	404-187948-1	Support Assembly - Rudder pedal RH							1	ALL	
	Attaching Parts										
- 10	AN3-13A	Bolt - Aircraft No. 10-32 x 1-3/8 in.							2	ALL	
	AN960-10	Washer - Plain No. 10							2	ALL	
	AN365-1032	Nut - Self locking No. 10-32							2	ALL	
- 11	404-187818	Yoke Assembly - Rudder pedal cross shaft							2	ALL	
	404-187818-2	Yoke - Rudder pedal cross shaft							1	ALL	
	404-187909	Bearing							2	ALL	
- 12	D177954	Link - Pilot's cable extension							2	ALL	
	D177954	Link - Copilot's cable extension RH							1	ALL	
	111-41010-1	Link - Copilot's cable extension LH							1	ALL	
	111-41009-1	Lug Assembly - Copilot's rudder LH							1	ALL	
	Attaching Parts										
- 13	AN23-18	Bolt - Pilot's extension link							2	ALL	
	AN23-21	Bolt - Copilot's extension link RH							1	ALL	
	AN23-24	Bolt - Copilot's extension link LH							1	ALL	
	AN960-10L	Washer - Plain No. 10							2	ALL	

FIGURE and INDEX NUMBER	GROUP ALIGHTING GEAR							Units Per Ass'y	Usage on Code	
	MAJOR ASSEMBLY DUAL BRAKE SYSTEM INSTALLATION Cont'd.									
	PART NUMBER	1	2	3	4	5	6 7			NOMENCLATURE
30 - 13	AN960-516L							Washer - Plain 5/16	AR	ALL
	AN310-3							Nut	2	ALL
	AN380-2-2							Pin - Cotter	2	ALL
	AN381-2-8							Pin - Cotter	3	ALL
- 14	S-141							Spring - Pilot's pedal balance	2	ALL
- 15	187482							Clip - Pilot's pedal balance spring	2	ALL
- 16	187402							Collar - Rudder pedal cross shaft	2	ALL
	404-187402							Collar - Rudder pedal cross shaft	2	ALL
	Attaching Parts									
- 17	AN515-8-24							Screw - Round head No. 8-32 x 1-1/2 in.	4	ALL
	AN960-8							Washer - Plain No. 8	4	ALL
	AN365-832							Nut - Self locking No. 8-32	4	ALL
- 18	404-187972							Shaft - Pilot's rudder pedal cross	1	ALL
	404-187921							Shaft - Copilot's rudder pedal cross	1	ALL
	100951-S-032							Washer	4	ALL
	-029-108									
	100696-S32-29							Spacer	2	ALL
	-016									
- 19	404-187949							Link - Brake master cylinder actuating	2	ALL
	Attaching Parts									
- 20	AN3-11							Bolt - Aircraft No. 10-32 x 1-1/8 in.	2	ALL
	AN310-3							Nut - Castellated No. 10-32	2	ALL
	AN960-10L							Washer - Plain No. 10	2	ALL
	AN380-2-2							Pin - Cotter 1/16 x 1/2 in.	2	ALL
- 21	AN3-10							Bolt - Castellated No. 10-32 x 1 in.	2	ALL
	AN960-10L							Washer - Plain No. 10	2	ALL
	AN310-3							Nut - Castellated No. 10-32	2	ALL
	AN380-2-2							Pin - Cotter 1/16 x 1/2 in.	2	ALL
- 22	404-187822*							Link - Brake master cylinder actuating mechanism LH	3	ALL
	404-187822-1*							Link - Brake master cylinder actuating mechanism RH	1	ALL
	Attaching Parts									
- 23	AN4-10							Bolt - Aircraft 1/4-28 x 1 in.	2	ALL
	AN960-416L							Washer - Plain 1/4 in.	2	ALL
	AN310-4							Nut - Castellated 1/4-28	2	ALL
	AN380-2-2							Pin - Cotter 1/16 x 1/2 in.	2	ALL
- 24	404-187927							Bellcrank Assembly - Master cylinder actuating	2	ALL
	404-187927-2							Bellcrank - Master cylinder actuating	1	ALL
	*Use two 404-187822 on left-hand assembly Use one 404-187822 and one 404-187822-1 on right-hand assembly									

FIGURE and INDEX NUMBER	GROUP ALIGHTING GEAR							Units Per Ass'y	Usage on Code	
	MAJOR ASSEMBLY DUAL BRAKE SYSTEM INSTALLATION Cont'd									
	PART NUMBER	1	2	3	4	5	6 7			NOMENCLATURE
30 - 24	105740-X0193 -0251-0510							Bushing	2	ALL
	404-187937-2							Bushing	1	ALL
- 25	694-187800							Cylinder Assembly - Brake master (See Figure 31)	2	ALL
								Attaching Parts		
- 26	NAS54-32							Bolt - 1/4-28 x 3-1/4 in.	2	ALL
- 27	100696-S11-09 -008							Spacer	2	ALL
	AN960-416L							Washer - Plain 1/4 in.	2	ALL
	AN310-4							Nut - Castellated 1/4-28	2	ALL
	AN380-2-2							Pin - Cotter 1/16 x 1/2 in.	2	ALL
- 28	404-187852							Support - Pilot's brake linkage	4	ALL
	404-187853							Support - Copilot's brake linkage inboard	3	ALL
	404-187851							Support - Copilot's brake linkage outboard	1	ALL
								Attaching Parts		
- 29	AN526-10-9							Screw - Truss head No. 10-32 x 9/16 in.	4	ALL
	AN960-10L							Washer - Plain No. 10	4	ALL
	AN365-1032							Nut - Self locking No. 10-32	4	ALL
- 30	404-187848							Support Assembly - Brake master cylinder	4	ALL
								Attaching Parts		
- 31	AN5-32							Bolt - Aircraft 5/16 x 3-1/4 in.	2	ALL
	AN960-516L							Washer - Plain 5/16 in.	2	ALL
	AN310-5							Nut - Castellated 5/16-24	2	ALL
	AN380-2-2							Pin - Cotter 1/16 x 1/2 in.	2	ALL
	404-187848-2							Support - Brake master cylinder	1	ALL
	404-187859							Bushing	1	ALL
	105740-X0313 -0377-0380							Bushing	1	ALL
- 32	404-187887							Cable Assembly - Brake balance	1	ALL
								Attaching Parts		
	AN3-6							Bolt - Aircraft No. 10-32 x 3/4 in.	2	ALL
	AN310-3							Nut - Castellated No. 10-32	2	ALL
	AN960-10							Washer - Plain No. 10	6	ALL
	AN380-2-2							Pin - Cotter 1/16 x 1/2 in.	2	ALL
- 33	NAS314-27-0296							Cable Assembly - Brake balance	1	ALL
- 34	AN155-32S							Barrel	1	ALL
- 35	AN161-22RL							Fork	1	ALL
- 36	AN210-3A							Pulley	2	ALL
								Attaching Parts		
- 37	AN4-11							Bolt - Aircraft 1/4-28 x 1-1/8 in.	2	ALL
	AN960-416							Washer - Plain 1/4 in.	2	ALL
	AN310-4							Nut - Castellated 1/4-28	2	ALL

FIGURE and INDEX NUMBER	GROUP ALIGHTING GEAR							Units Per Ass'y	Usage on Code	
	MAJOR ASSEMBLY DUAL BRAKE SYSTEM INSTALLATION Cont'd.									
	PART NUMBER	1	2	3	4	5	6 7			NOMENCLATURE
30 - 37	AN380-2-2							Pin - Cotter 1/16 x 1/2 in.	2	ALL
	AN392-23							Pin - Flat head 1/8 x 23/32 in.	4	ALL
	AN380-2-2							Pin - Cotter 1/16 x 1/2 in.	4	ALL
	404-187996							Valve Installation - Parking brake	1	ALL
- 38	4200-A1							Valve Assembly - Parking brake (SCA)	2	ALL
								Attaching Parts		
- 39	AN3-24A							Bolt - Aircraft No. 10-32 x 2-1/2 in.	2	ALL
	AN960-10							Washer - Plain No. 10	2	ALL
	AN365-1032							Nut - Self locking No. 10-32	2	ALL
- 40	4201							Body - Parking brake valve (SCA)	1	ALL
- 41	4206							Seat - Valve (SCA)	1	ALL
- 42	4207							Gasket - Valve seat (SCA)	1	ALL
- 43	4203							Piston - Parking brake valve (SCA)	1	ALL
- 44	AN6227-5							Seal - O-ring	1	ALL
- 45	AN6227-1							Seal - O-ring	1	ALL
- 46	4208							Arm Assembly - Valve control (SCA)	1	ALL
- 47	NO NUMBER							Rivet - Steel 3/32 x 5/8 in.	2	ALL
- 48	AN940-13							Washer - Burr	4	ALL
- 49	1553							Nut - Speed (TIN)	2	ALL
- 50	404-187992							Link Assembly - Parking brake valve control	1	ALL
- 51	AN500A6-5							Screw - Fillister head No. 6-32 x 5/16 in.	2	ALL
- 52	AN500A6-12							Screw - Fillister head No. 6-32 x 3/4 in.	2	ALL
- 53	404-187905-4							Control Assembly - Parking brake	1	ALL
- 54	AN960-716L							Washer - Plain 7/16 in.	1	ALL
- 55	100942-063-014 -216-40							Spring	1	ALL
	404-187890							Plumbing Installation - Brake master cylinder reservoir	1	ALL
	111-61001							Tank Installation - Hydraulic Fluid Supply	1	ALL
- 56	111-61002							Reservoir	1	ALL
- 57	111-61006							Doubler	1	ALL
								Attaching Parts		
- 58	AN525-832R6							Screw	4	ALL
- 59	111-61003							Door Assembly	1	ALL
- 60	111-61004							Doubler Assembly	1	ALL
- 61	111-61007-5							Tube Assembly	1	ALL
	AN815-4D							Union	1	ALL
	AN824-4D							Tee	1	ALL
- 62	111-61007-9							Tube Assembly	1	ALL
								Attaching Parts		
- 63	100696-D10- 06-028							Spacer	1	ALL
	MS21919G4							Clamp	1	ALL
	AN525-10R16							Screw	1	ALL
- 64	MS21919G4							Clamp	1	ALL

Figure and Index Number	Group ALIGHTING GEAR						Units per Assy	Usage on Code	
	Major Assembly DUAL BRAKE SYSTEM INSTALLATION Cont'd								
	Part	1	2	3	4	5 6 7			Nomenclature
30 - 64	AN526-1032-7	.	.	.	.	.	Screw	1	ALL
	AN365-1032	.	.	.	.	.	Nut	1	ALL
	AN960-10	.	.	.	.	.	Washer	1	ALL
- 65	AN931-4-7	.	.	.	.	.	Grommet	1	ALL
- 66	111-61007-3	.	.	.	.	.	Tube Assembly	1	ALL
- 67	AN6207-4	.	.	.	.	.	Valve - Check	1	ALL
- 68	AN926-4D	.	.	.	.	.	Tee	1	ALL
	AN815-4D	.	.	.	.	.	Union	2	ALL
	AN6290-4	.	.	.	.	.	Gasket	3	ALL
- 68A	111-61007-11	.	.	.	.	.	Tube Assembly		
- 68B	26JU/MS28741-4-0080	.	.	.	.	.	Hose	1	ALL
- 69	111-61007-7	.	.	.	.	.	Tube Assembly	1	ALL
- 70	AN822-4D	.	.	.	.	.	Elbow - 90 degree	1	ALL
	26JU/404-187884	.	.	.	.	.	Coupling	1	ALL
	AN316-8R	.	.	.	.	.	Nut - Check 1/2-20	2	ALL
	AN960-816	.	.	.	.	.	Washer - Plain 1/2 in.	2	ALL
	AN825-4D	.	.	.	.	.	Tee	1	ALL
- 71	AN6270-4-14	.	.	.	.	.	Hose Assembly	2	ALL
	106242-9-01400	.	.	.	.	.	Tube	2	ALL
	AN825-4D	.	.	.	.	.	Tee	2	ALL
- 72	AN6270-4-14	.	.	.	.	.	Hose Assembly - Pilot's brake supply LH	1	ALL
- 73	AN6270-4-10	.	.	.	.	.	Hose Assembly - Co-pilot's brake supply RH	1	ALL
	106242-9-01400	.	.	.	.	.	Tube - Pilot's LH	1	ALL
	106242-9-00900	.	.	.	.	.	Tube - Co-pilot's RH	1	ALL
	AN822-4D	.	.	.	.	.	Elbow - 90 degree	2	ALL
	407-187990	Piping Installation - Toe brake (see Figure 1)						Ref	ALL
	AN823-4	.	.	.	.	.	Elbow - 45 degree	2	ALL
- 74	AN6264-4	.	.	.	.	.	Hose Assembly - Pilot's brake LH	1	ALL
	-15-1/2	.	.	.	.	.			
	AN6264-4	.	.	.	.	.	Hose Assembly - Pilot's brake RH	1	ALL
	-11-1/2	.	.	.	.	.			
	AN911-1D	.	.	.	.	.	Nipple	2	ALL
	AN910-1D	Coupling (Called up by Modification 05-45B-6A/31)						2	ALL
- 75	AN822-4D	.	.	.	.	.	Elbow 90 degree	4	ALL
	404-188007	.	.	.	.	.	Tube Assembly - Pilot's brake LH	1	ALL
	AN837-4D	.	.	.	.	.	Elbow - 45 degree	1	ALL
	AN960-A716	.	.	.	.	.	Washer - Plain 7/16 in.	2	ALL
	AN924-4D	.	.	.	.	.	Nut	1	ALL

Figure and Index Number	ALIGHTING GEAR							Units per Assy	Usage on Code	
	Group	Major Assembly DUAL BRAKE SYSTEM INSTALLATION Cont'd								
	Part	1	2	3	4	5	6			7
30 - 76	404-188013							Tube Assembly - Pilot's brake LH	1	ALL
	AN837-4D							Elbow - 45 degree	1	ALL
	AN960-A716							Washer - Plain 7/16 in.	2	ALL
	AN924-4D							Nut	1	ALL
- 77	404-188015							Tube Assembly - Pilot's brake LH	1	ALL
- 78	404-188008							Tube Assembly - Pilot's brake RH	1	ALL
	AN815-4D							Union	1	ALL
- 79	404-188009							Tube Assembly - Pilot's brake RH	1	ALL
	AN837-4D							Elbow - 45 degree	1	ALL
	AN960-A716							Washer - Plain 7/16 in.	2	ALL
	AN924-4D							Nut	1	ALL
- 80	404-188018							Tube Assembly - Pilot's brake RH	1	ALL
	AN837-4D							Elbow - 90 degree	1	ALL
	AN960 - A716							Washer - Plain 7/16 in.	2	ALL
	AN924-4D							Nut	1	ALL
- 81	404-188020							Tube Assembly - Pilot's brake RH	1	ALL
	AN823-4							Elbow 45 degree	2	ALL
- 82	AN6264-4							Hose Assembly - Copilot's brake RH	1	ALL
	-15-1/2									
	AN6264-4							Hose Assembly - Copilot's brake LH	1	ALL
	-11-1/2									
	AN837-4D							Elbow - 45 degree	2	ALL
	AN960-A716							Washer - Plain 7/16 in.	4	ALL
	AN924-4D							Nut	2	ALL
- 83	404-188010							Tube Assembly - Copilot's brake LH	1	ALL
	AN837-4D							Elbow - 45 degree	1	ALL
	AN960-A716							Washer - Plain 7/16 in.	2	ALL
	AN924-4D							Nut	1	ALL
- 84	404-188014							Tube Assembly - Copilot's brake LH	1	ALL
	AN837-4D							Elbow - 45 degree	1	ALL
	AN960-A716							Washer - Plain 7/16 in.	2	ALL
	AN924-4D							Nut	1	ALL
- 85	404-188016							Tube Assembly - Copilot's brake LH	1	ALL
- 86	404-188011							Tube Assembly - Copilot's brake RH	1	ALL
	AN837-4D							Elbow - 45 degree	1	ALL
	AN960-A716							Washer - Plain 7/16 in.	2	ALL
	AN924-4							Nut	1	ALL
- 87	404-188017							Tube Assembly - Copilot's brake RH	1	ALL
	AN837-4D							Elbow - 45 degree	1	ALL
	AN960-A716							Washer - Plain 7/16 in.	2	ALL
	AN924-4							Nut	1	ALL
- 88	404-188019							Tube Assembly - Copilot's brake RH	1	ALL

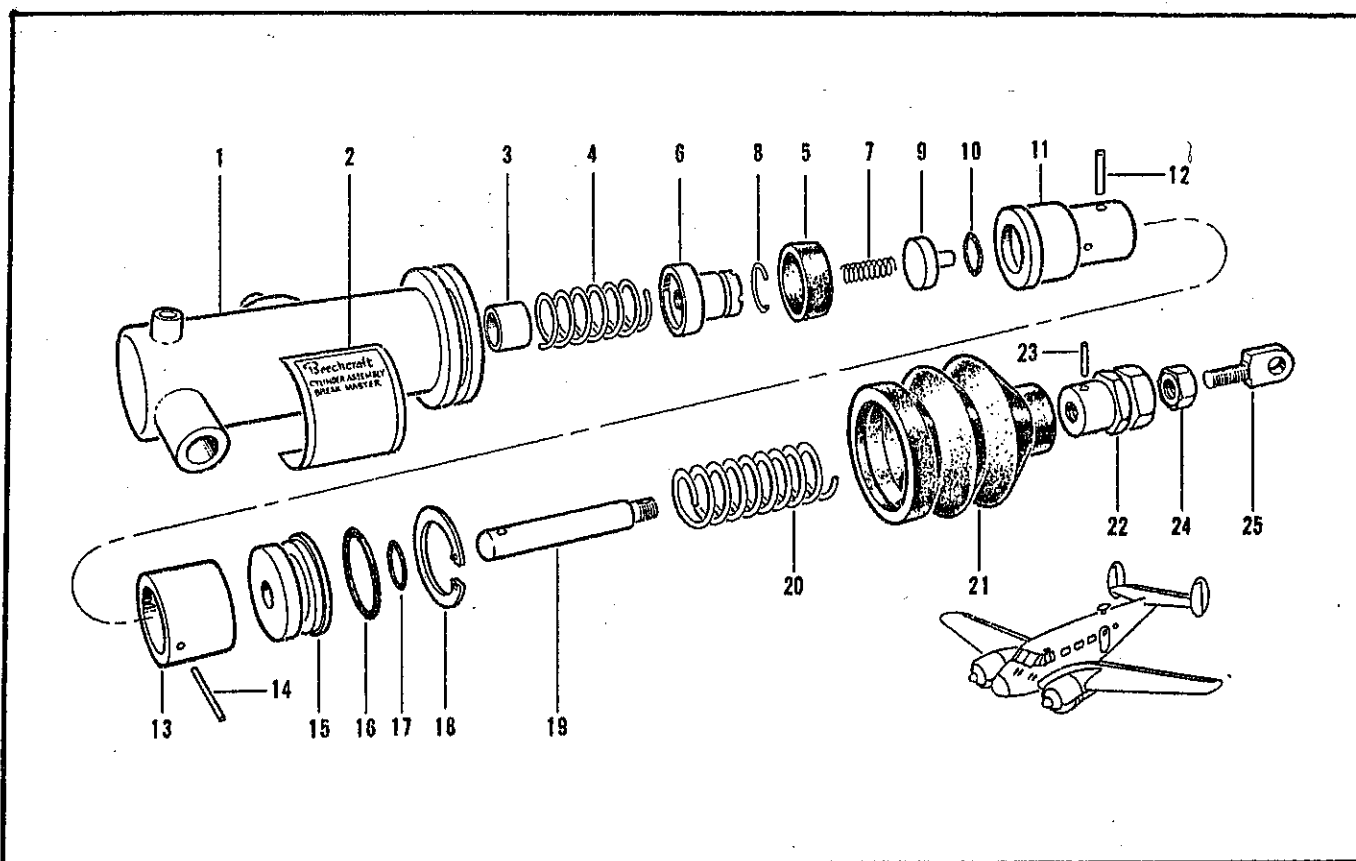


Figure 31. Master Brake Cylinder Assembly

FIGURE and INDEX NUMBER	GROUP ALIGHTING GEAR							Units Per Ass'y	Usage on Code		
	MAJOR ASSEMBLY MASTER BRAKE CYLINDER ASSEMBLY										
	PART NUMBER	1	2	3	4	5	6			7	NOMENCLATURE
31 -	694-187800								Cylinder Assembly (Brake master for next higher assembly) (See Figure 30)	Ref	ALL
- 1	404-187814								Cylinder - Brake master	1	ALL
									OR		
- 2	694-187808								Cylinder - Brake master	1	ALL
- 2	694-180113								Placard - Brake master cylinder	1	ALL
- 3	100969-A19-15 -014								Spacer - Brake master cylinder	1	ALL
- 4	694-187804								Spring - Brake master cylinder	1	ALL
	694-187801								Piston Assembly - Brake master cylinder	1	ALL
- 5	694-187803								Cup - Brake master cylinder piston	1	ALL
- 6	694-187806								Retainer - Brake master cylinder piston	1	ALL
- 7	111504-010-016 -0024-22								Spring - Brake master cylinder piston	1	ALL
- 8	644-187811								Ring - Retainer	1	ALL
- 9	694-187815								Valve Assembly - Poppet	1	ALL
- 10	AN6227-B8								Ring "O"	1	ALL
- 11	694-187802								Piston - Brake master cylinder	1	ALL

FIGURE and INDEX NUMBER	GROUP ALIGHTING GEAR							Units Per Ass'y	Usage on Code	
	MAJOR ASSEMBLY MASTER BRAKE CYLINDER ASSEMBLY Cont'd									
	PART NUMBER	1	2	3	4	5	6 7			NOMENCLATURE
31 - 12	694-187801-3							Pin - Brake master cylinder	1	ALL
- 13	694-187811							Sleeve - Brake master cylinder	1	ALL
- 14	694-187801-1							Pin - Brake master cylinder	1	ALL
- 15	694-187813							Cap - Brake master cylinder	1	ALL
- 16	AN6227-B15							Ring "O"	1	ALL
- 17	AN6227-B8							Ring "O"	1	ALL
- 18	NAS50-112							Ring - Retainer	1	ALL
- 19	694-189807							Rod - Brake master cylinder	1	ALL
- 20	694-187814							Spring - Brake master cylinder	1	ALL
- 21	95-3352							Boot - Brake master cylinder (GY)	1	ALL
- 22	214182							Coupling - Brake master cylinder (GY)	1	ALL
- 23	102809-A093-017							Pin - Brake master cylinder	1	ALL
	AN380-3-3							Pin - Cotter	1	ALL
- 24	AN335-5							Nut	1	ALL
- 25	404-187803							Terminal - Brake master cylinder	1	ALL





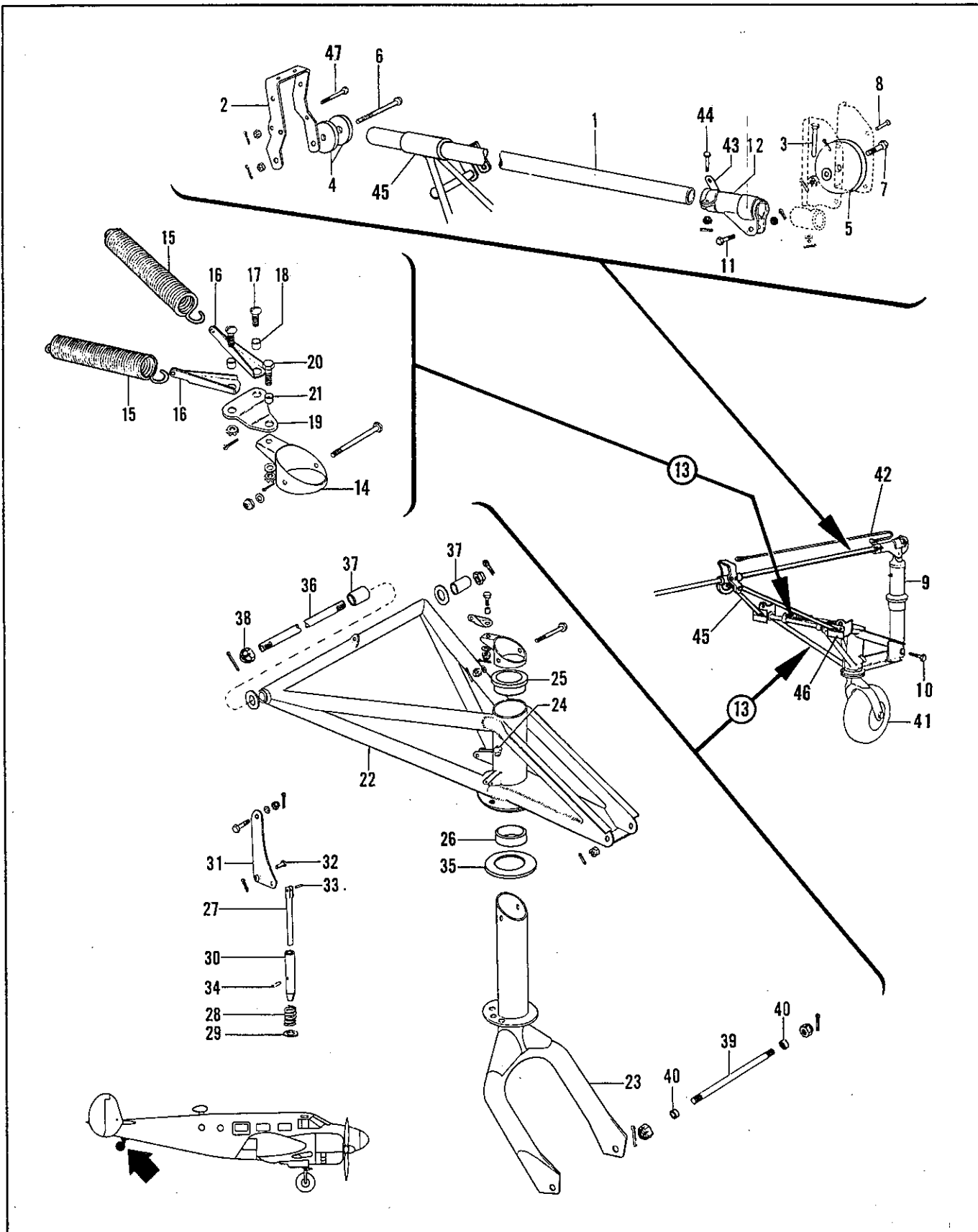


Figure 32. Tail Wheel and Controls Installation

FIGURE and INDEX NUMBER	GROUP ALIGHTING GEAR							Units Per Ass'y	Usage on Code	
	MAJOR ASSEMBLY TAIL WHEEL AND CONTROLS INSTALLATION									
	PART NUMBER	1	2	3	4	5	6			7
32 -	644-188660	Tail Wheel and Controls Installation (see Figure 1)							Ref	ALL
- 1	414-188696	Tube - Tail wheel slide							1	ALL
- 2	188667	Bracket - Tail wheel boot							1	ALL
		Attaching Parts								
- 3	AN3-15	Bolt - Aircraft No. 10-32 x 1-5/8 in.							1	ALL
	AN310-3	Nut - Castellated No. 10-32							1	ALL
	AN380-2-2	Pin - Cotter 1/16 x 1/2 in.							1	ALL
	AN960-10	Washer - Plain No. 10							1	ALL
- 4	AN210-3B	Pulley							2	ALL
- 5	AN210-4A	Pulley							1	ALL
		Attaching Parts								
- 6	AN4-40	Bolt - Aircraft 1/4-28 x 4 in.							1	ALL
- 7	AN4-11	Bolt - Aircraft 1/4-28 x 1-1/8 in.							1	ALL
	AN960-416	Washer - Plain 1/4 in.							2	ALL
	AN310-4	Nut - Castellated 1/4-28							2	ALL
	AN380-2-2	Pin - Cotter 1/16 x 1/2 in.							3	ALL
- 8	AN392-21	Pin - Flat head 1/8 x 21/32 in.							1	ALL
- 9	404-188612	Absorber Assembly - Tail wheel shock (see Figure 34)							Ref	ALL
		Attaching Parts								
- 10	AN5-27(M)	Bolt - Aircraft 5/16-24 x 2-31/32 in.							1	ALL
- 11	AN5-16(M)	Bolt - Aircraft 5/16-24 x 1-3/4 in.							1	ALL
	AN960-516	Washer - Plain 5/16 in.							2	ALL
	AN310-5	Nut - Castellated 5/16-24							2	ALL
	AN380-2-2	Pin - Cotter 1/16 x 1/2 in.							2	ALL
- 12	404-188470	Slide Assembly - Tail wheel							1	ALL
	404-188470-4	Slide - Tail wheel							1	ALL
	188465	Bushing							2	ALL
- 13	404-188635	Truss and Fork Assembly - Tail wheel							1	ALL
	404-188635-610	Truss Assembly - Tail wheel (use for spare part - consists of truss assembly, column swivel plate and bearings)							1	ALL
- 14	404-188678	Collar Assembly - Tail wheel fork							1	ALL
		Attaching Parts								
	AN3-25A	Bolt - Aircraft No. 10-32 x 1-9/16 in.							1	ALL
	AN960-10	Washer - Plain No. 10							1	ALL
	AN365-1032	Nut - Self locking No. 10-32							1	ALL
- 15	18871	Spring - Tail wheel alignment							2	ALL
- 16	404-188659	Clip - Tail wheel alignment							2	ALL
		Attaching Parts								
- 17	AN24-8	Bolt - Clevis 1/4-28 x 1/2 in.							2	ALL
	AN320-4	Nut - Castellated 1/4-28							2	ALL
	AN380-2-2	Pin - Cotter 1/16 x 1/2 in.							2	ALL

FIGURE and INDEX NUMBER	GROUP ALIGHTING GEAR							Units Per Ass'y	Usage on Code	
	MAJOR ASSEMBLY TAIL WHEEL AND CONTROLS INSTALLATION									
	PART NUMBER	1	2	3	4	5	6 7			NOMENCLATURE
32 - 18	100801-X6-0185							Bushing	2	ALL
- 19	404-188658							Plate - Tail wheel alignment	1	ALL
		Attaching Parts								
- 20	AN4-5							Bolt - Aircraft 1/4-28 x 5/8 in.	1	ALL
	AN960-416							Washer - Plain 1/4 in.	1	ALL
	AN320-4							Nut - Castellated 1/4-28	1	ALL
	AN380-2-2							Pin - Cotter 1/16 x 1/2 in.	1	ALL
- 21	100801-X6-0185							Bushing	1	ALL
- 22	404-188680							Truss Assembly - Tail wheel	1	ALL
- 23	404-188675							Fork Assembly - Tail wheel	1	ALL
- 24	NAS2-101A							Lubricator - Tail wheel fork	1	ALL
- 25	404-188687							Bearing - Tail wheel fork assembly	1	ALL
- 26	404-188698							Bearing - Tail wheel fork assembly	1	ALL
- 27	188651							Link - Tail wheel swivel lock	1	ALL
- 28	100943ZW104B							Spring - Tail wheel swivel lock	1	ALL
- 29	100951-X063 -016-022							Washer - Tail wheel swivel lock	1	ALL
- 30	404-188683							Pin - Tail wheel swivel lock	1	ALL
- 31	18865-14							Lever - Tail wheel swivel lock	1	ALL
		Attaching Parts								
- 32	AN393-17							Pin - Flat head 3/16 x 17/32 in.	1	ALL
	AN380-2-2							Pin - Cotter 1/16 x 1/2 in.	1	ALL
- 33	102809-A125-011							Pin	1	ALL
- 34	102809-A125-022							Pin	1	ALL
- 35	404-188699							Plate - Tail wheel fork column swivel lower	1	ALL
- 36	404-188639							Axle - Tail wheel truss	1	ALL
- 37	404-188638							Bushing - Tail wheel axle	2	ALL
		Attaching Parts								
- 38	AN310-8							Nut - Castellated 1/2-20	2	ALL
	AN380-3-4							Pin - Cotter 3/32 x 1 in.	2	ALL
	100951-X063-017 -100							Washer	2	ALL
- 39	404-188677							Axle - Tail wheel	1	ALL
- 40	404-188694							Sleeve - Tail wheel axle	2	ALL
		Attaching Parts								
	AN380-5-10							Pin - Cotter 5/32 x 2-1/2 in.	2	ALL
	AN7502-16							Nut - Retainer 1-1/4 in.	2	ALL
- 41	D3-180-M							Wheel - (HA)(See Figure 35)	1	ALL
- 42	404-188668*							Cord Assembly - Tail wheel (See Figure 33)	REF	ALL
	694-188668*							Cord Assembly - Tail wheel (See Figure 33)	REF	ALL
		*These parts are interchangeable								

FIGURE and INDEX NUMBER	GROUP ALIGHTING GEAR							Units Per Ass'y	Usage on Code	
	MAJOR ASSEMBLY			TAIL WHEEL AND CONTROLS INSTALLATION Cont'd.						
	PART NUMBER	1	2	3	4	5	6			7
32 -										
- 43	404-188668-6							Support - Tail wheel assist shock	1	ALL
	694-188668-6							Support - Tail wheel assist shock	1	ALL
								Attaching Parts		
- 44	AN4-6							Bolt - Aircraft 1/4-28 x 3/4 in.	1	ALL
	AN310-4							Nut - Castellated 1/4-28	1	ALL
	AN380-2-4							Pin - Cotter 1/16 x 1 in.	1	ALL
- 45	404-184131							Support "V" Brace	1	ALL
								Attaching Parts		
- 46	AN3-6A							Bolt	4	ALL
	AN365-1032							Nut	4	ALL
	AN960-10							Washer	4	ALL
- 47	AN3-15							Bolt	1	ALL
	AN310-3							Nut	1	ALL
	AN380-2-2							Pin	1	ALL
	AN960-10							Washer	1	ALL

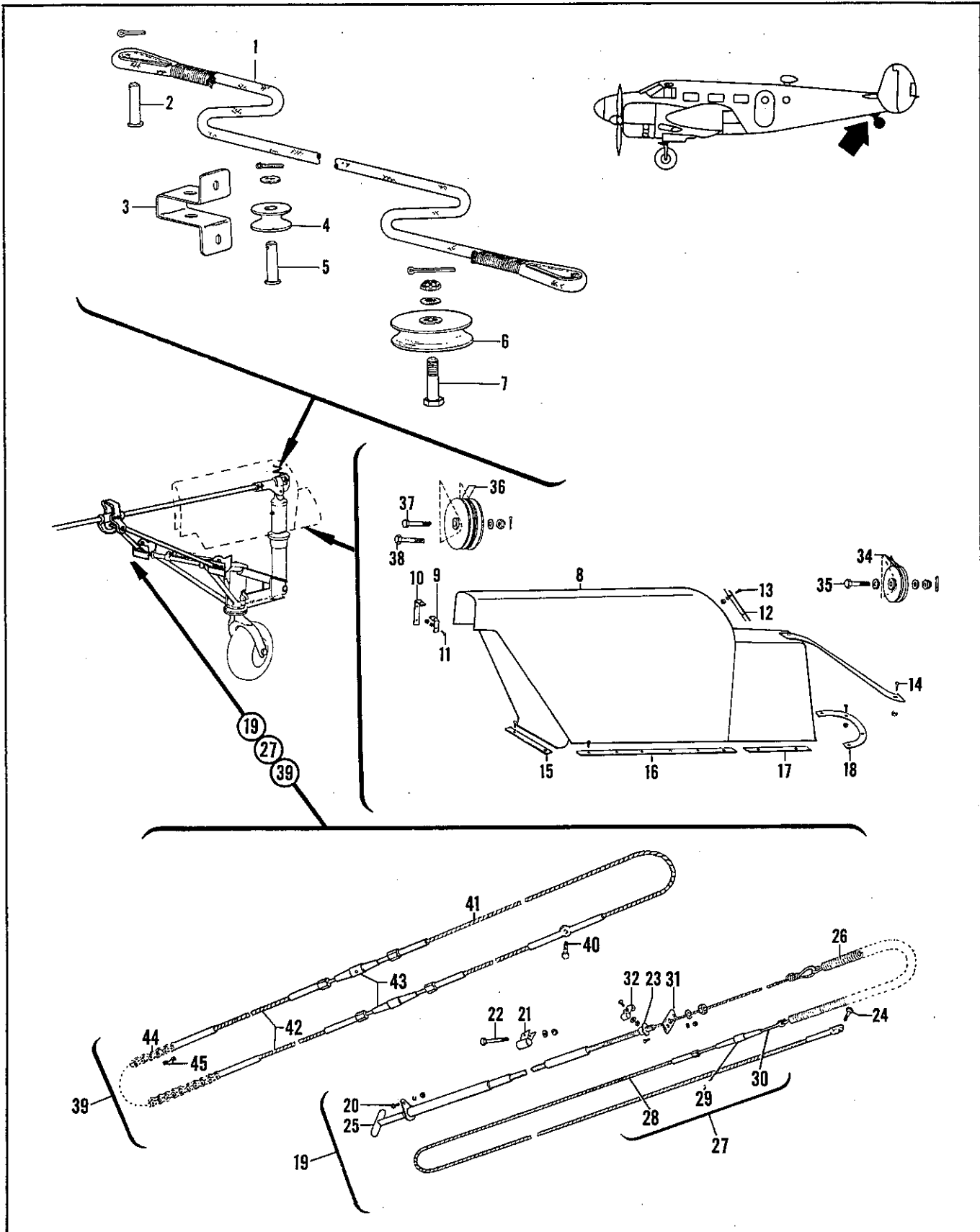


Figure 33. Tail Wheel and Controls Installation

FIGURE and INDEX NUMBER	GROUP ALIGHTING GEAR							Units Per Ass'y	Usage on Code	
	TAIL WHEEL AND CONTROLS INSTALLATION (Sheet 1 of 2)									
	PART NUMBER	1	2	3	4	5	6			7
33 -	644-188660	Tail Wheel and Controls Installation (See Figure 1)							REF	ALL
- 1	694-188668*	Cord Assembly - Tail wheel (See Figure 32)							1	ALL
	404-188668*	Cord Assembly - Tail wheel (See Figure 32)							1	ALL
	694-188668-2**	Cord - Tail wheel assist shock							1	ALL
	404-188668-2**	Cord - Tail wheel assist shock							1	ALL
	Attaching Parts									
- 2	AN393-21	Pin - Flat head 3/16 x 21/32 in.							1	ALL
	AN380-2-2	Pin - Cotter 1/16 x 1/2 in.							1	ALL
- 3	404-188656	Bracket - Shock cord pulley							1	ALL
- 4	404-188657	Pulley Tail wheel shock cord							1	ALL
	Attaching Parts									
- 5	AN394-23	Pin - Flat head 1/4 x 23/32 in.							1	ALL
	AN380-2-2	Pin - Cotter 1/16 x 1/2 in.							1	ALL
	AN960-416	Washer - Plain 1/4 in.							1	ALL
- 6	404-188663	Pulley - Tail wheel shock cord							1	ALL
	Attaching Parts									
- 7	AN4-10	Bolt - Aircraft 1/4-28 x 1 in.							1	ALL
	AN960-416	Washer - Plain 1/4 in.							1	ALL
	AN310-4	Nut - Castellated 1/4-28							1	ALL
	AN380-2-4	Pin - Cotter 1/16 x 1 in.							1	ALL
- 8	404-188665	Boot Assembly - Tail wheel slide cover							1	ALL
- 9	188657	Clip - Tail wheel boot							1	ALL
- 10	188655	Clip - Tail wheel boot							1	ALL
	Attaching Parts									
- 11	AN526-632-8	Screw - Truss head No. 6-32 x 1/2 in.							5	ALL
	AN960-6	Washer - Plain No. 6							5	ALL
	AN365-632	Nut - Self locking No. 6-32							5	ALL
- 12	188673	Strip - Tail wheel boot hold down							1	ALL
	Attaching Parts									
- 13	AN526-632-8	Screw - Truss head No. 6-32 x 1/2 in.							2	ALL
- 14	AN526-632-6	Screw - Truss head No. 6-32 x 3/8 in.							1	ALL
	AN960-6	Washer - Plain No. 6							3	ALL
	AN365-632	Nut - Self locking No. 6-32							3	ALL
- 15	694-188660-2	Strip - Tail wheel boot hold down							1	ALL
- 16	694-188660-6	Strip - Tail wheel boot hold down							2	ALL
- 17	694-188660-4	Strip - Tail wheel boot hold down							2	ALL
- 18	404-188669	Strip - Tail wheel boot hold down							1	ALL
	Attaching Parts									
	AN526-632-6	Screw - Truss head No. 6-32 x 3/8 in.							24	ALL
- 19	804-188650	Cable Assembly - Tail wheel lock							1	ALL
-	*These parts are interchangeable									
-	**These parts are interchangeable									

FIGURE and INDEX NUMBER	GROUP ALIGHTING GEAR							Units Per Ass'y	Usage on Code	
	MAJOR ASSEMBLY TAIL WHEEL AND CONTROLS INSTALLATION Cont'd									
	PART NUMBER	1	2	3	4	5	6 7			NOMENCLATURE
33 -	Attaching Parts									
- 20	NAS387-832-8							Screw - Oval head No. 8-32 x 1/2 in.	2	ABC
	AN515-8-7							Screw - Round head No. 8-32 x 7/16 in.	2	D
	AN960-8							Washer - Plain No. 8	2	ALL
	AN365-832							Nut - Self locking No. 8-32	2	ALL
- 21	AN742-4							Clip	2	ALL
- 22	AN520-10-8							Screw - Round head No. 10-32 x 1/2 in.	2	ALL
	AN960-10							Washer - Plain No. 10	2	ALL
	AN365-1032							Nut - Self locking No. 10-32	2	ALL
- 23	S123							Bushing	1	ALL
	AN365-624							Nut - Self locking 3/8-24	1	ALL
	AN960-616							Washer - Plain 3/8 in.	1	ALL
- 24	AN3-5							Bolt - Aircraft No. 10-32 x 5/8 in.	1	ALL
	AN960-10							Washer - Plain No. 10	1	ALL
	AN310-3							Nut - Castellated No. 10-32	1	ALL
	AN380-2-2							Pin - Cotter 1/16 x 1/2 in.	1	ALL
- 25	804-188651							Control Assembly - Tail wheel lock	1	ALL
- 26	106238							Spring - Tail wheel lock	1	ALL
- 27	804-188650-2							Cable Assembly - Tail wheel lock	1	ALL
	804-188652							Plunger Assembly	1	ALL
- 28	NAS302-25-2237							Cable - Tail wheel lock	1	ALL
- 29	AN155-8S							Barrel	1	ALL
- 30	AN170-8RS							Eye	1	ALL
- 31	188666							Support - Tail wheel lock cable	1	ALL
	Attaching Parts									
	AN526-1032-8							Screw - Truss head No. 10-32 x 1/2 in.	2	ALL
	AN960-10							Washer - Plain No. 10	2	ALL
- 32	188671							Bracket - Tail wheel lock cable	1	ALL
	Attaching Parts									
- 33	AN515-8-7							Screw - Round head No. 8-32 x 7/16 in.	1	ALL
	AN365-832							Nut - Self locking No. 8-32	1	ALL
	AN960-8							Washer - Plain No. 8	1	ALL
- 34	AN210-1A							Pulley	2	ALL
	Attaching Parts									
- 35	AN3-7							Bolt - Aircraft No. 10-32 x 7/8 in.	2	ALL
	AN310-3							Nut - Castellated No. 10-32	2	ALL
	AN380-2-2							Pin - Cotter 1/16 x 1/2 in.	2	ALL
	AN960-10							Washer - Plain No. 10	2	ALL
- 36	AN210-3A							Pulley	4	ALL
	Attaching Parts									
- 37	S126-34							Bolt - (Make from AN-4 bolt)	2	ALL
- 38	S126-36							Bolt - (Make from AN-4 bolt)	2	ALL
	AN320-4							Nut - Castle shear 1/4-28	4	ALL
	AN960-416							Washer - Plain 1/4 in.	4	ALL



FIGURE and INDEX NUMBER	GROUP ALIGHTING GEAR							Units Per Ass'y	Usage on Code	
	TAIL WHEEL AND CONTROLS INSTALLATION									
	MAJOR ASSEMBLY Cont'd									
PART NUMBER	1	2	3	4	5	6	7	NOMENCLATURE		
33 -	AN380-2-2							Pin - Cotter 1/16 x 1/2 in.	4	ALL
- 39	404-188655							Cable Assembly - Tail wheel retract	1	ALL
								Attaching Parts		
- 40	AN3DD6							Bolt - Aircraft No. 10-32 x 3/4 in.	1	ALL
	AN960-10							Washer - Plain No. 10	1	ALL
	AN310-3							Nut - Castellated No. 10-32	1	ALL
	AN380-2-2							Pin - Cotter 1/16 x 1/2 in.	1	ALL
- 41	404-188655-10							Cable Assembly - Tail wheel retract	1	ALL
- 42	404-188655-4							Cable Assembly - Tail wheel retract	2	ALL
- 43	AN155-32S							Barrel - Tail wheel retract cable	2	ALL
- 44	188662							Chain - Tail wheel retract cable	1	ALL
- 45	S34-2							Clip - Tail wheel retract cable	2	ALL

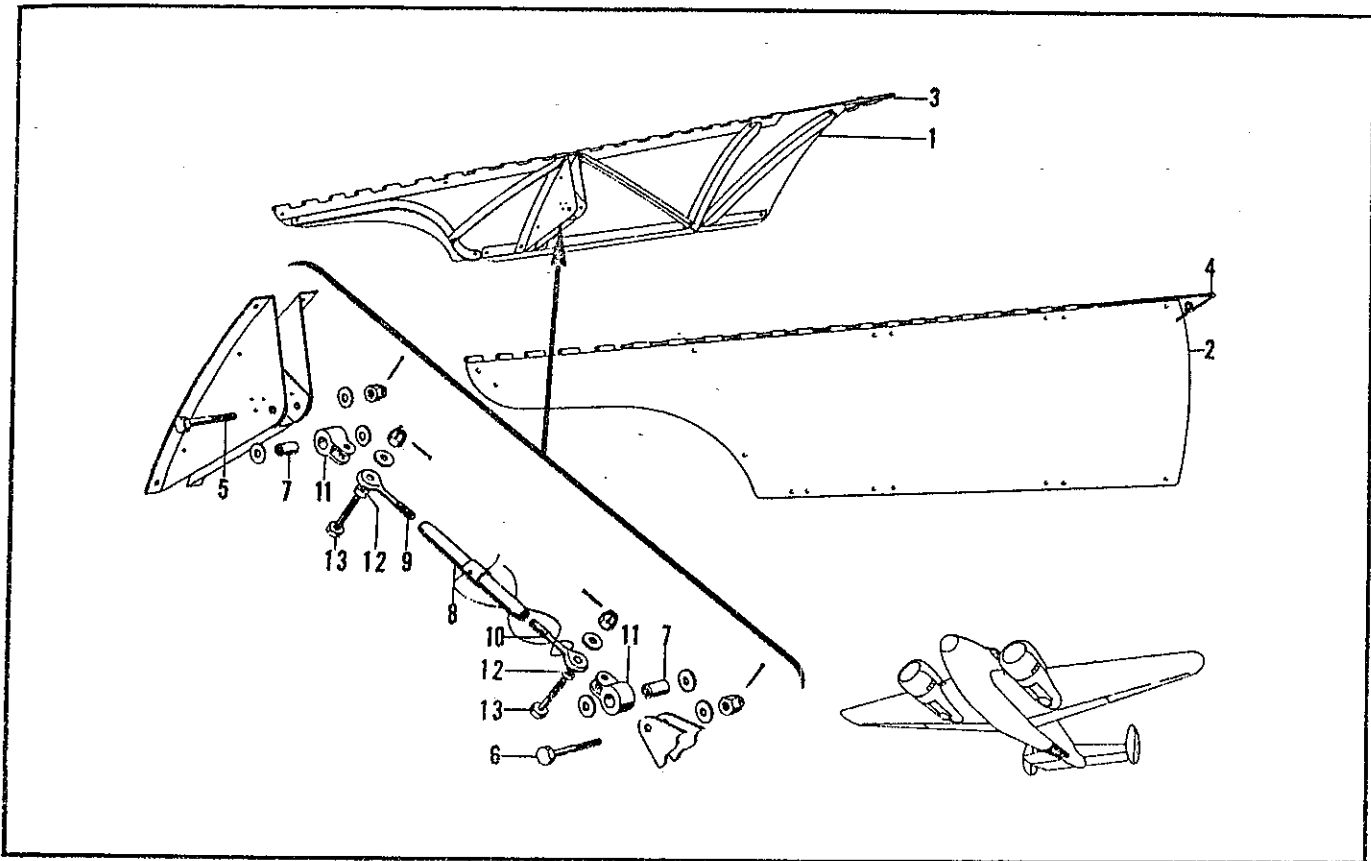


Figure 33A Tail Wheel Door Assembly

FIGURE and INDEX NUMBER	GROUP FUSELAGE		Units Per Ass'y	Usage on Code
	MAJOR ASSEMBLY TAIL WHEEL DOOR ASSEMBLY			
	PART NUMBER	1 2 3 4 5 6 7 NOMENCLATURE		
33A - 1	404-185961	Door Assembly - Tail wheel LH	1	ALL
- 2	404-185961-1	Door Assembly - Tail wheel RH	1	ALL
- 3	185808-4	Pin - Tail wheel door hinge LH	1	ALL
- 4	185808-4	Pin - Tail wheel door hinge RH	1	ALL
	404-185995	Turnbuckle - Tail wheel door	1	ALL
	Attaching Parts			
- 5	AN3-11	Bolt - Aircraft No. 10-32 x 1-1/8 in.	2	ALL
- 6	AN3-10	Bolt - Aircraft No. 10-32 x 1 in.	2	ALL
- 7	100801-X4-0500	Bushing	4	ALL
	AN310-3	Nut - Castellated No. 10-32	4	ALL
	AN960-10	Washer - Plain No. 10	8	ALL
	AN380-2-2	Pin - Cotter 1/16 x 1/2 in.	4	ALL
- 8	404-185999	Barrel - Tail wheel turnbuckle	1	ALL
- 9	404-185998	Eye - Tail wheel door turnbuckle LH	1	ALL
- 10	404-185997	Eye - Tail wheel door turnbuckle RH	1	ALL
- 11	185996	Link Assembly - Tail wheel door universal	2	ALL
- 12	105739-X0193	Bushing	2	ALL
	-312-0213			

FIGURE and INDEX NUMBER	GROUP FUSELAGE							Units Per Ass'y	Usage on Code		
	MAJOR ASSEMBLY TAIL WHEEL DOOR ASSEMBLY Cont'd.										
	PART NUMBER	1	2	3	4	5	6			7	NOMENCLATURE
33A - - 13									Attaching Parts		
	AN3-6								Bolt - Aircraft No. 10-32 x 3/4 in.	2	ALL
	AN310-3								Nut - Castellated No. 10-32	2	ALL
	AN960-10								Washer - Plain No. 10	2	ALL

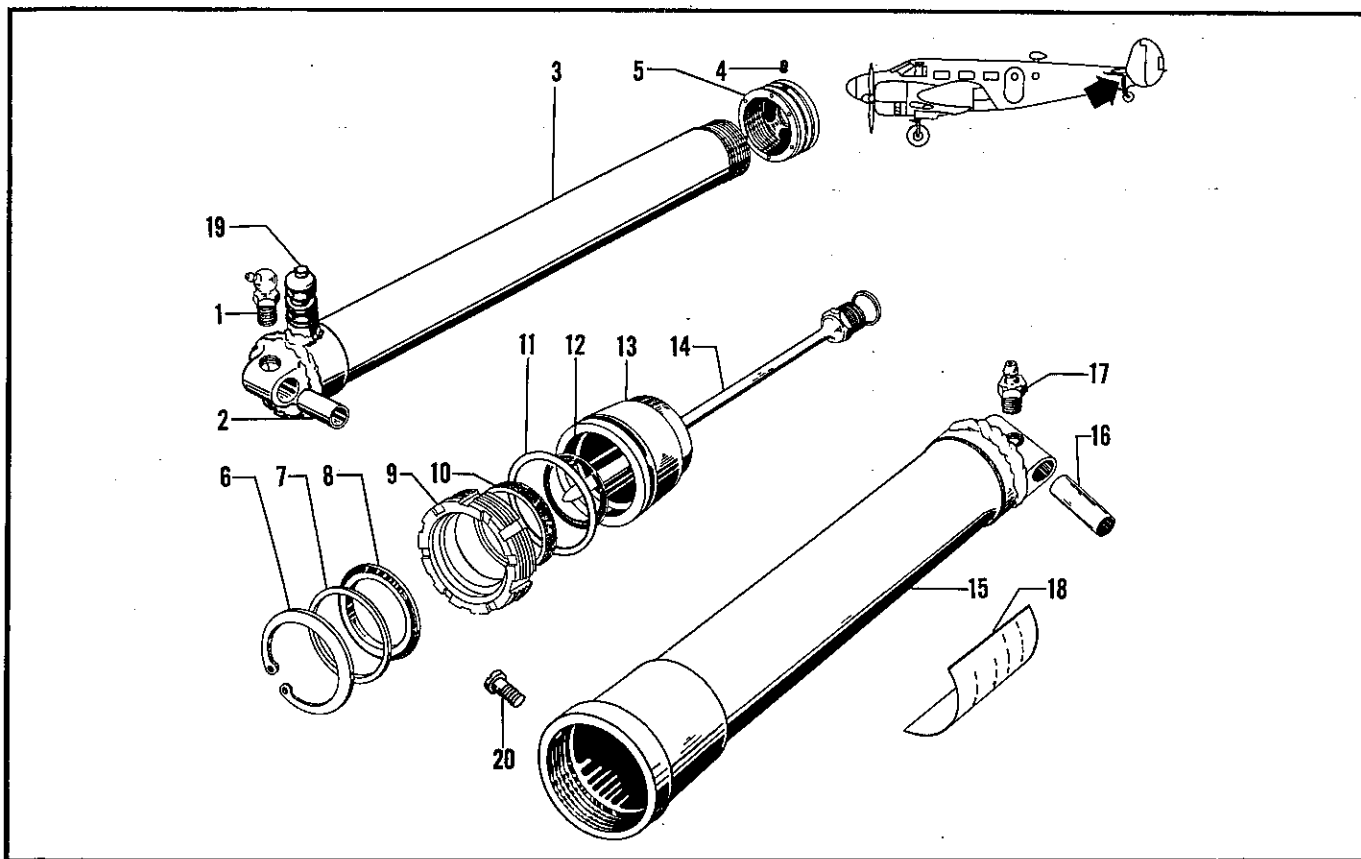


Figure 34. Tail Wheel Shock Absorber

FIGURE and INDEX NUMBER	GROUP ALIGHTING GEAR							Units Per Ass'y	Usage on Code		
	MAJOR ASSEMBLY TAIL WHEEL SHOCK ABSORBER										
	PART NUMBER	1	2	3	4	5	6			7	NOMENCLATURE
34 -	404-188612								Absorber Assembly - Tail wheel shock (See Figure 32)	Ref	ALL
- 1	AN286-3								Fitting - Grease	1	ALL
- 2	188615-1								Bushing - Tail wheel shock	1	ALL
- 3	188602								Piston - Tail wheel shock	1	ALL
- 4	NO NUMBER								Screw - Allen head 1/4-20 x 1/4 in.	1	ALL
- 5	188605								Head - Tail wheel shock piston	1	ALL
- 6	404-188618								Ring - Snap	1	ALL
- 7	734-188622								Spacer - Tail wheel shock wiper ring	1	ALL
- 8	AN6231-17								Ring - Wiper	1	ALL
- 9	734-188623								Nut - Packing	1	ALL
- 10	404-188619*								Pad - Felt	1	ALL
- 11	AN6230-4								Gasket	1	ALL
- 12	AN6227-27								Packing - "O" Ring	1	ALL
- 13	734-188620								Adapter - Shock absorber piston	1	ALL
- 14	188608								Pin - Metering	1	ALL
- 15	188601								Cylinder - Tail wheel shock	1	ALL

FIGURE and INDEX NUMBER	GROUP ALIGHTING GEAR							Units Per Ass'y	Usage on Code		
	MAJOR ASSEMBLY TAIL WHEEL SHOCK ABSORBER Cont'd.										
	PART NUMBER	1	2	3	4	5	6			7	NOMENCLATURE
34 - 16	188615-2								Bushing - Shock Assembly	1	ALL
- 17	AN286-1								Fitting - Grease	1	ALL
- 18	694-180022								Placard - Tail wheel shock	1	ALL
- 19	AN6287-1								Valve Assembly	1	ALL
- 20	AN501A10-4								Screw - Set	1	ALL
									*404-188619 Pad - Make from felt 1/8" thick F3-8400XH grey - Western Felt Works		

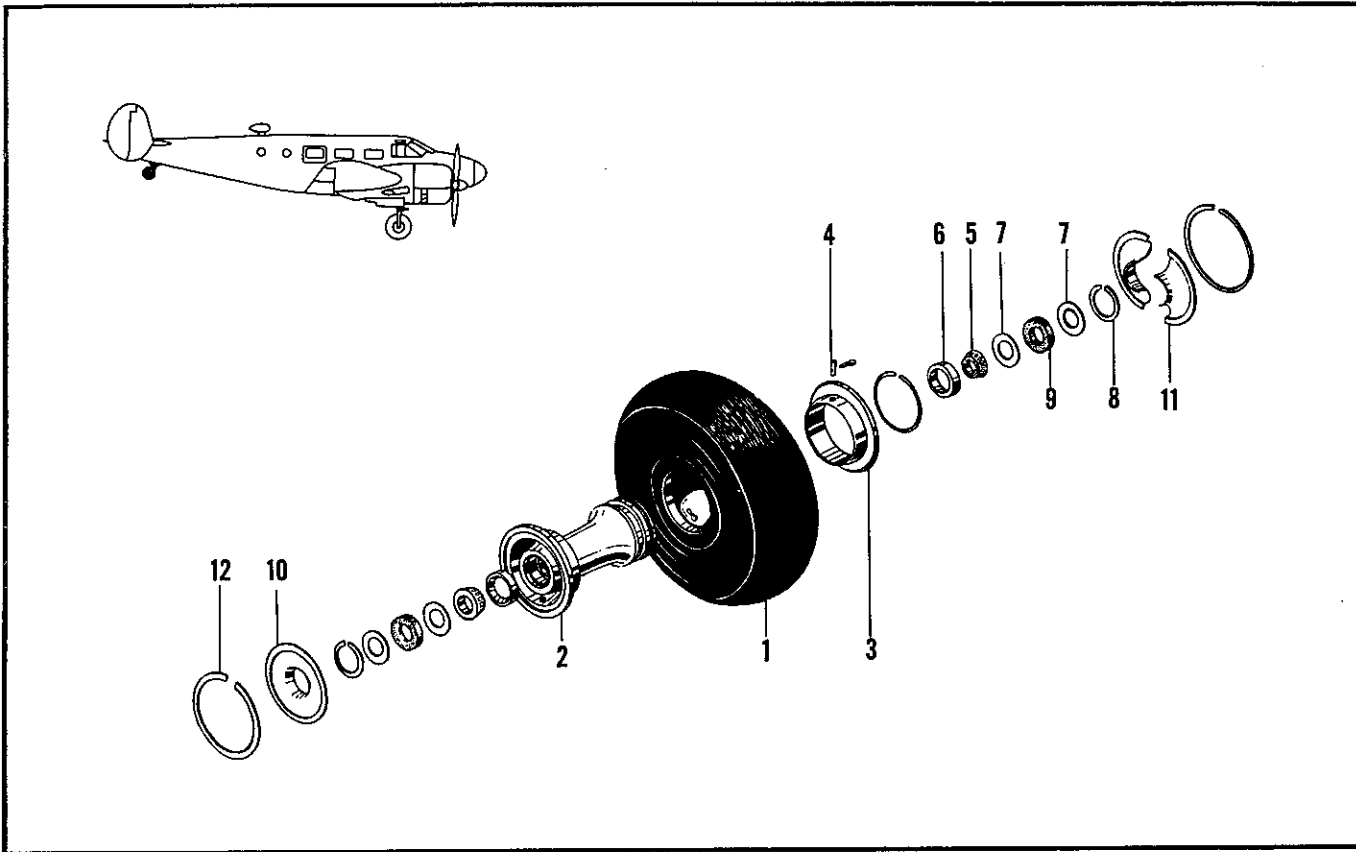
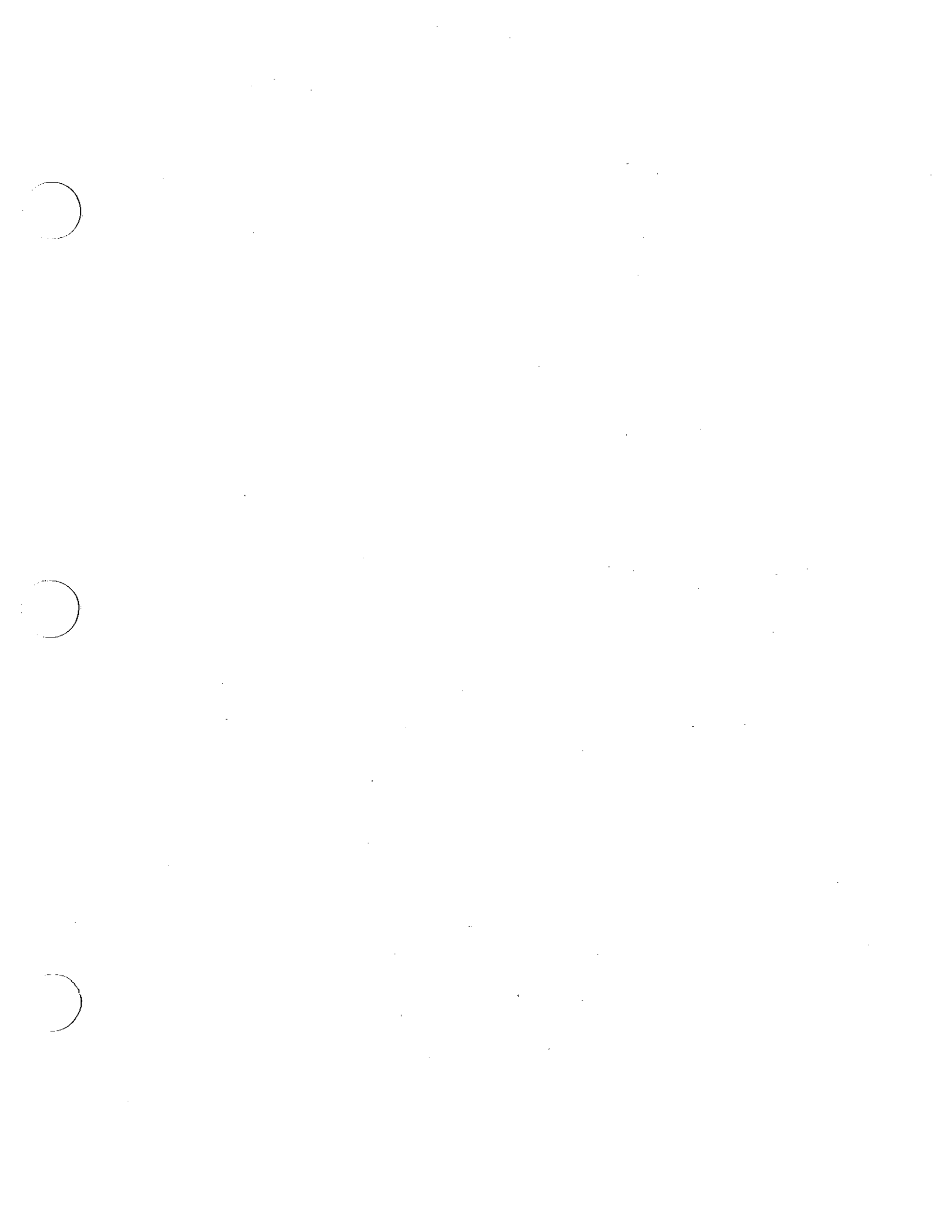


Figure 35. Tail Wheel

FIGURE and INDEX NUMBER	GROUP ALIGHTING GEAR							Units Per Ass'y	Usage on Code		
	MAJOR ASSEMBLY TAIL WHEEL										
	PART NUMBER	1	2	3	4	5	6			7	NOMENCLATURE
35 -	D3-180-M								Wheel Assembly - Tail (HA) (See Figure 32)	Ref	ALL
- 1	14-50								Tire - Tail wheel (GY)	1	ALL
	14-50								Tube - Tail wheel (GY)	1	ALL
- 2	D10-458M								Wheel - Tail (HA)	1	ALL
- 3	B-11-57M								Ring - Tail wheel side (HA)	1	ALL
	A-85-131								Ring - Side ring retaining (HA)	1	ALL
- 4	A-20-76								Pin - Side ring anchor (HA)	1	ALL
- 5	07100								Bearing	2	ALL
- 6	07196								Cup - Bearing	2	ALL
- 7	A-56-22								Ring - Felt retainer (HA)	4	ALL
- 8	A-85-45								Ring - Felt retainer lock (HA)	2	ALL
- 9	E-50024-59								Seal - Felt (HA)	2	ALL
- 10	A-51-113								Cover - Dust inner (HA)	1	ALL
- 11	A-31-80								Cover - Dust outer (HA)	1	ALL
- 12	A-85-44								Ring - Dust cover lock (HA)	2	ALL



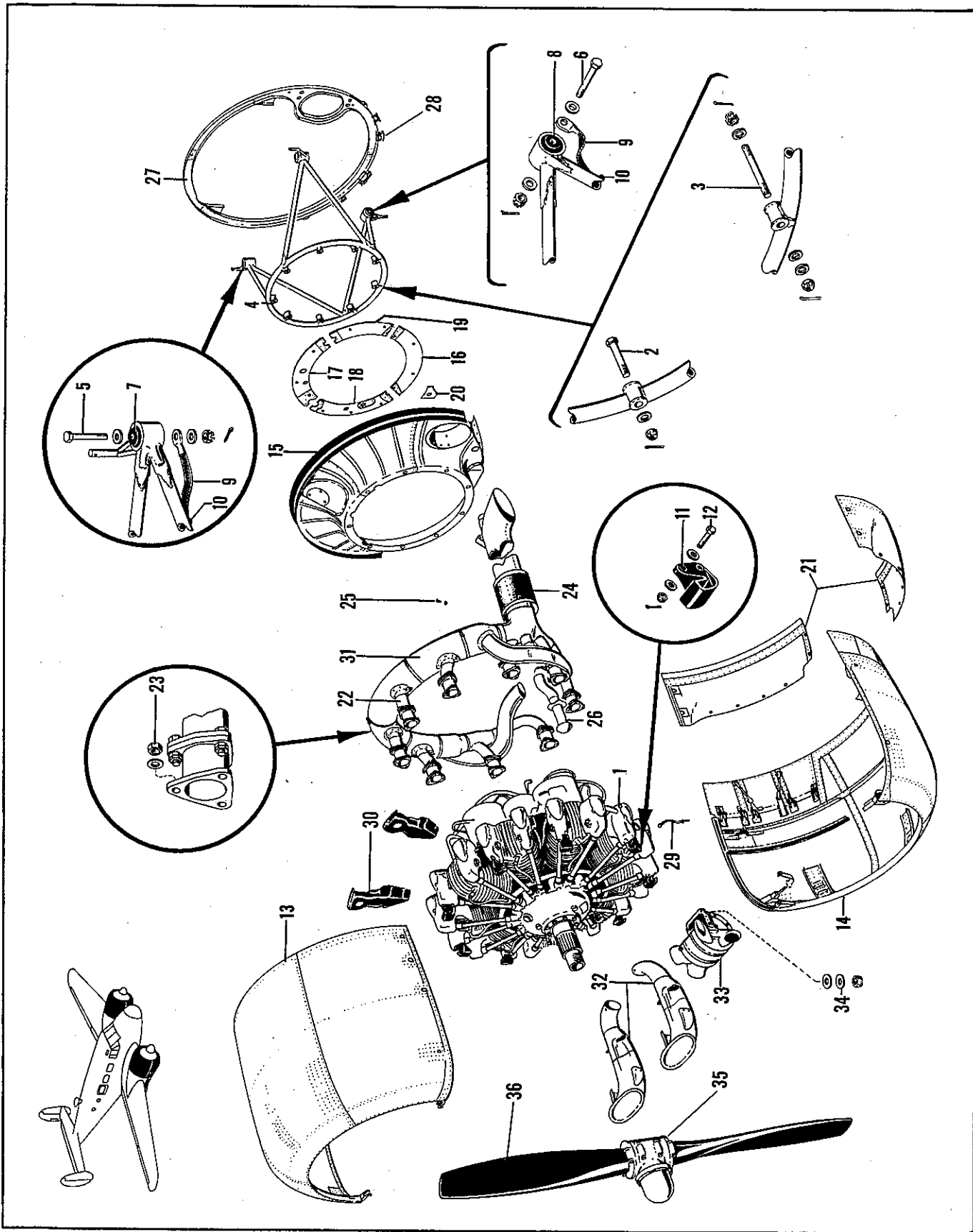
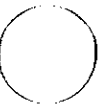


Figure 36. Power Plant Installation



FIGURE and INDEX NUMBER	GROUP POWER PLANT							Units Per Ass'y	Usage on Code	
	MAJOR ASSEMBLY		POWER PLANT INSTALLATION							
	PART NUMBER	1	2	3	4	5	6			7
36	644-189000	Power Plant Installation (See Figure 1)							Ref	ALL
- 1	R985-AN-14B	Engine (Specification AN2035) (PW)							2	ALL
		Attaching Parts								
- 2	AN7-47(M)	Bolt - Aircraft 7/16 -20 x 4-7/8 in.							8	ALL
- 3	4-189125	Stud - 7/16 -20							1	ALL
	AN960-716	Washer - Plain 7/16 in.							11	ALL
	AN310-7	Nut - Castellated 7/16 -20							10	ALL
	AN380-3-3	Pin - Cotter 3/32 x 3/4 in.							10	ALL
- 4	18S9100-29	Mount Assembly - Engine (See Figure 1)							Ref	ALL
		Attaching Parts								
- 5	AN7-36(M)	Bolt - Aircraft 7/16 -20 x 3-3/4 in.							2	ALL
- 6	AN7-43(M)	Bolt - Aircraft 7/16 -20 x 4-3/8 in.							1	ALL
	AN960-716	Washer - Plain 7/16 in.							6	ALL
	AN310-7	Nut - Castellated 7/16-20							3	ALL
	AN380-3-3	Pin - Cotter 3/32 x 3/4 in.							3	ALL
- 7	J5385-1	Bushing - Engine mount support							2	ALL
- 8	J5384-1	Bushing - Engine mount support							1	ALL
- 9	404-189102	Strip - Bonding							3	ALL
		Attaching Parts								
- 10	AN4-4A	Bolt - Aircraft 1/4 -28 x 1/2 in.							3	ALL
	AN960-416	Washer - Plain No. 4							3	ALL
	AN365-428	Nut - Self locking 1/4 -28							3	ALL
- 11	404-185918	Bracket Assembly - Cowl support							9	ALL
		Attaching Parts								
- 12	AN4-10A	Bolt - Aircraft							18	ALL
	AN960-416L	Washer							36	ALL
	NAS679A4	Nut - Self-locking							18	ALL
- 13	404-185901	Cowling Assembly - Engine upper ( See Figure 38)							Ref	ABC
	185901-CO55863	Cowling Assembly - Engine upper (See Figure 38)							Ref	D
- 14	404-185903	Cowling Assembly - Engine lower (See Figure 38)							Ref	ABC
	185903-CO55861	Cowling Assembly - Engine lower (See Figure 38)							Ref	D
- 15	84-185910-1	Cowling Assembly - Engine inner RH(See Figure 38)							Ref	ALL
	84-185910-2	Cowling Assembly - Engine inner LH(See Figure 38)							Ref	ALL
- 16	84-185880	Segment Assembly - Inner cowling ring lower							1	ALL
- 17	84-185881	Segment Assembly - Inner cowling ring upper LH							1	ALL
	84-185886	Segment Assembly - Inner cowling ring upper RH							1	ALL
- 18	84-185882	Segment Assembly - Inner cowling ring inboard LH							1	ALL



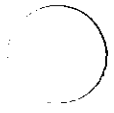
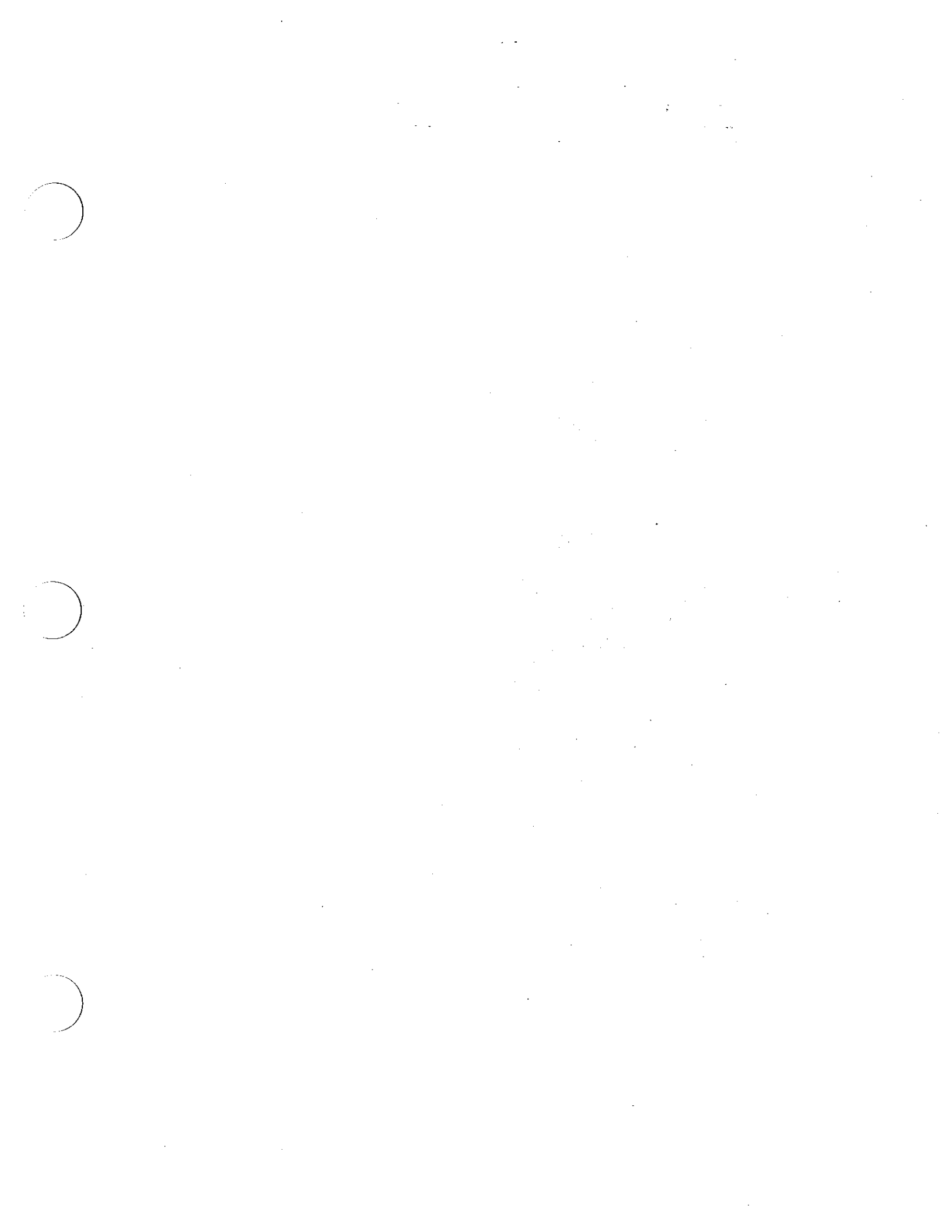


FIGURE and INDEX NUMBER	GROUP POWER PLANT							Units Per Ass'y	Usage on Code	
	MAJOR ASSEMBLY POWER PLANT INSTALLATION Cont'd.									
	PART NUMBER	1	2	3	4	5	6 7			NOMENCLATURE
36 - 18	84-185885							Segment Assembly - Inner cowling ring inboard RH	1	ALL
- 19	84-185883							Segment Assembly - Inner cowling ring outboard LH	1	ALL
	84-185884							Segment Assembly - Inner cowling ring outboard RH	1	ALL
- 20	84-185899							Seal - Scavenger pump line inner cowl	1	ALL
- 21	18S5850P-16							Wrapper Sheet Assembly - Outboard LH (see Figure 38)	1	ALL
	18S5850P-17							Wrapper Sheet Assembly - Inboard RH (see Figure 38)	1	ALL
	18S5850P-18							Wrapper Sheet Assembly - Inboard LH (see Figure 38)	1	ALL
	18S5850P-19							Wrapper Sheet Assembly - Outboard RH (see Figure 38)	1	ALL
- 22	18S9200 L-500							Exhaust Installation - Engine system LH (see Figure 39)	Ref	ALL
	18S9200 R-500							Exhaust Installation - Engine system RH (see Figure 39)	Ref	ALL
								Attaching Parts		
- 23	46A1135-524							Nut - Exhaust stack	27	ALL
	AN960-C-516							Washer - Plain 5/16 in.	27	ALL
	18S9213L							Shroud Installation - Exhaust tail pipe (see Figure 1)	Ref	ALL
	18S9213R							Shroud Installation - Exhaust tail pipe (see Figure 1)	Ref	ALL
- 24	18S9213-8L							Shroud Assembly - Exhaust tail pipe	1	ALL
	18S9213-8R							Shroud Assembly - Exhaust tail pipe	1	ALL
								Attaching Parts		
- 25	AN530-8-8							Screw - Round head No. 8-32 x 1/2 in.	11	ALL
	AN960-8L							Washer - Plain No. 8	11	ALL
- 26	54-189216							Tube Installation - Intensifier Air Intake. (see Figure 39)	1	ALL
- 27	804-185940L							Ring - Former LH	1	ALL
	804-185940R							Ring - Former RH	1	ALL
								Attaching Parts		
	AN3-11							Bolt - Aircraft No. 10-32 x 1-1/8 in.	3	ALL
	AN960-10							Washer - Plain No. 10	3	ALL
	AN310-3							Nut - Castellated No. 10-32	3	ALL
	AN380-2-2							Pin - Cotter 1/16 x 1/2 in.	3	ALL
	185941							Bracket - Lower	1	ALL
	AN505-8-8							Screw - Flat head No. 8-32 x 1/2 in.	4	ALL
	AN960-8							Washer - Plain No. 8	4	ALL
	AN960-8L							Washer - Plain No. 8	4	ALL
	AN365-832							Nut - Self locking No. 8-32	4	ALL

FIGURE and INDEX NUMBER	GROUP POWER PLANT							Units Per Ass'y	Usage on Code	
	MAJOR ASSEMBLY POWER PLANT INSTALLATION Cont'd.									
	PART NUMBER	1	2	3	4	5	6 7			NOMENCLATURE
36 - 28	804-185941							Support Assembly - Cowling	6	ALL
	804-185943							Bolt - Wrapper Support	2	ALL
- 29	105947							Bonding	6	ALL
- 30	189110							Baffle Installation - Engine (see Figure 40)	1	ALL
- 31	189174							Muff Installation - Carburettor heat LH engine (see Figure 41)	1	ALL
								OR		
	189174-610							Muff Installation - Carburettor heat LH (use for spare part, consists of LH upper, lower and centre car- burettor hot air ducts and attaching parts)	1	ALL
								OR		
	189174-620							Muff Assembly - Left engine carburettor heat (use for spare part, consists of LH upper, lower and centre carburettor hot air ducts and muff outlet and attaching parts)	1	ALL
								OR		
	189174-630							Muff Assembly - Carburettor heat LH (use for spare part, consists of complete left engine exhaust system and muff outlet less carburettor hot air ducts)	1	ALL
								OR		
	189175							Muff Installation - Carburettor heat RH engine (see Figure 42)	1	ALL
								OR		
	189175-611							Muff Assembly - Carburettor heat RH (use for spare part, consists of RH upper, lower and centre carburettor hot air ducts and air ducts and attaching parts)	1	ALL
								OR		
	189175-621							Muff Assembly - Carburettor heat RH (use for spare part, consists of upper, lower and centre carburettor hot air ducts and attaching parts)	1	ALL
								OR		
	189175-631							Muff Assembly - Carburettor heat RH (use for spare part, consists of complete right engine exhaust system and muff outlet less carburettor hot air ducts)	1	ALL
- 32	804-189131							Duct Installation - Carburettor air LH and RH (see Figure 43)	1	ALL
- 33	18S9150							Scoop Assembly - Carburettor air LH and RH (see Figure 43)	1	ALL

FIGURE and INDEX NUMBER	GROUP POWER PLANT							Units Per Ass'y	Usage on Code	
	MAJOR ASSEMBLY POWER PLANT INSTALLATION Cont'd.									
	PART NUMBER	1	2	3	4	5	6			7
36 -	Attaching Parts									
- 34	AN364-524							Nut - Self locking 5/16-24	4	ALL
	AN960-516L							Washer - Plain 5/16 in.	4	ALL
	AN960-516							Washer - Plain 5/16 in.	4	ALL
	NAS183-5-7A							Stud - Carburettor air scoop	4	ALL
	644-189775							Vacuum System Installation LH (see Figure 44)	Ref	ALL
	644-189775-1							Vacuum System Installation RH (see Figure 44)	Ref	ALL
- 35	22D30							Hub - Propeller (HS)	1	ALL
- 36	6533A-21S*							Blade - Propeller (HS)	2	ALL
	6533A-22S*							Blade - Propeller (HS)	2	ALL
	644-189010							Propeller Installation - Hydromatic (see Figure 45)	Ref	ALL
	74-189020L							Control Installation - Propeller LH (see Figure 47)	Ref	ALL
	74-189020R							Control Installation - Propeller RH (see Figure 47)	Ref	ALL
	*These parts are interchangeable									



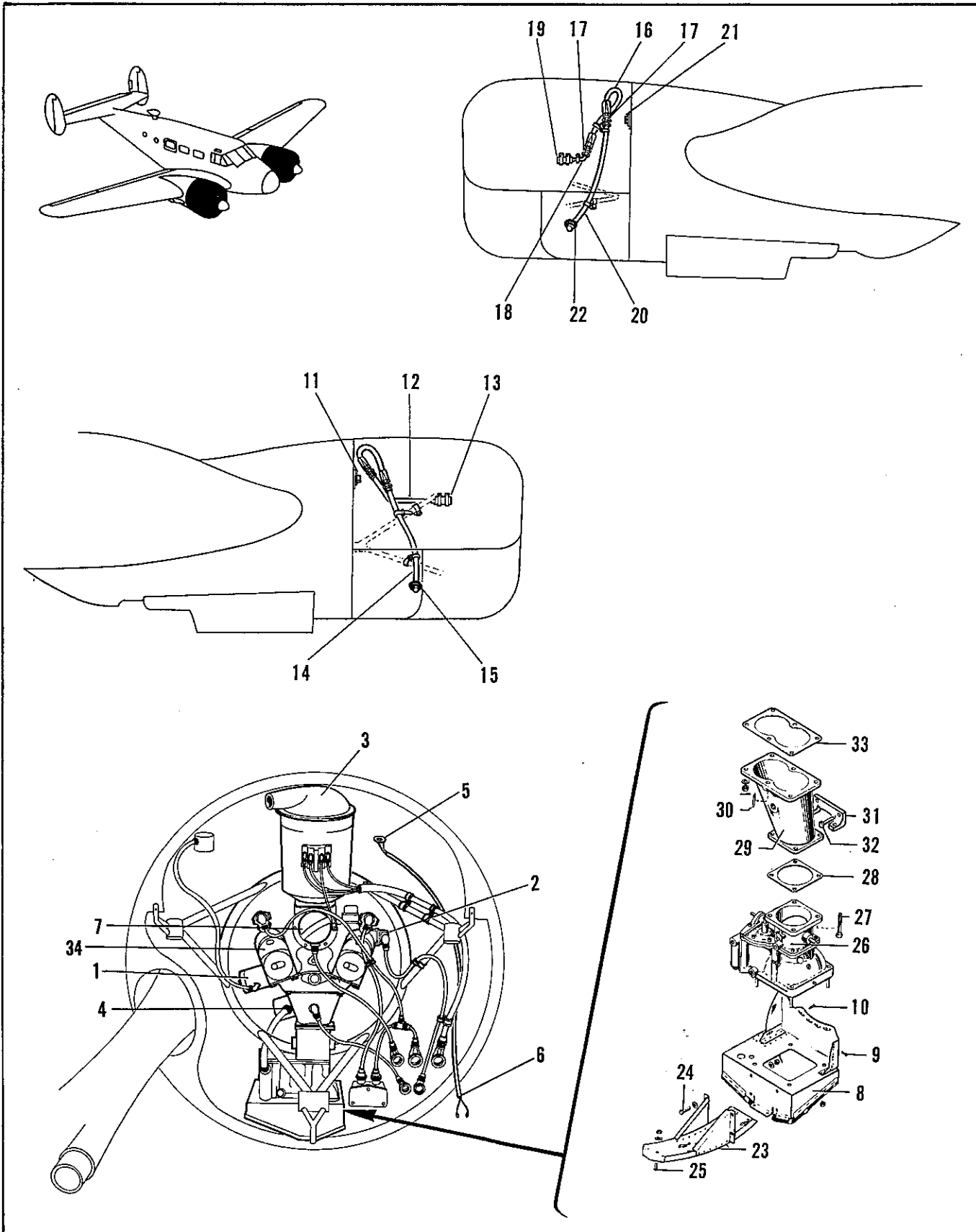


Figure 37. Power Plant Installation



FIGURE and INDEX NUMBER	GROUP POWER PLANT							Units Per Assy	Usage on Code	
	POWER PLANT INSTALLATION									
	MAJOR ASSEMBLY			- EQUIPMENT -						
PART NUMBER	1	2	3	4	5	6	7	NOMENCLATURE		
37 -	644-189000							Power Plant Installation (see Figure 1)	Ref	ALL
- 1	AN6111-1							Pump - Vacuum (Type B-12)	1	ALL
- 2	AN-G-16A-3							Generator Tachometer (Type E-9A) (Spec. 94-27950A)	1	ALL
- 3	30E16-1-B							Generator 24 volts 100 amps	1	ALL
	694-189015							Air Blast Assembly	1	ALL
	115099-8-202							Duct Air	1	ALL
- 4	TF-900-1*							Pump - Fuel (TP)	1	ALL
	2P-R400-BRD*							Pump - Fuel (TD)	1	ALL
- 5	AN5540-2							Thermocouple Head Temperature	1	ALL
- 6	L-71-5							Lead Assembly - Thermocouple (LEN)	1	ALL
- 7	756-21							Starter - (ECP)	1	ALL
- 8	774-185919							Shield - Carburettor	1	ALL
								Attaching Parts		
- 9	AN526-8-6							Screw - Truss head No. 8-32 x 3/8 in.	8	ALL
- 10	AN526-8-7							Screw - Truss head No. 8-32 x 7/16 in.	2	ALL
	84-185917							Seal - Carburettor shield	1	ALL
	84-185920							Seal - Carburettor shield	1	ALL
	3MBA 6693**							Vent Installation - Engine breather system LH (see Figure 1)	Ref	ALL
- 11	AN-913-8							Plug - 1 in. OR	1	ALL
	AN820-12							Cap	1	ALL
- 12	AN6264-12-17 -7/8							Hose Assembly - Crankcase Vent LH	1	ALL
	AN807-12D							Adapter	1	ALL
- 13	106200H-12 -12							Hose	1	ALL
	AGS605-1							Clamp - Hose	2	ALL
	755-12							Clamp - Hose (AP)	3	ALL
	755-16							Clamp - Hose (AP)	1	ALL
	AN815-12D							Union	1	ALL
- 14	3MBA 6691							Line Assembly - Crankcase vent - Port	1	ALL
	AN815-12D							Union	1	ALL
	3MBA 6693-2							Strap	1	ALL
	755-12							Clamp (ADEL)	2	ALL
	755-18							Clamp (ADEL)	2	ALL
	AN818-12							Nut	1	ALL
	AN819-12							Sleeve	1	ALL
- 15	AN931-14-20							Grommet	1	ALL
	2MBA 13645							Vent Installation - Engine breather system RH (see Figure 1)	Ref	ALL
- 16	AN6264-12 -17-7/8							Hose Assembly - Crankcase vent	1	ALL
- 17	AN815-12D							Union	2	ALL
- 18	644-189893							Line Assembly - Crankcase vent	1	ALL

Revised 30 Oct 64

147

Group Assembly Part List

FIGURE and INDEX NUMBER	GROUP POWER PLANT							Units Per Assy	Usage on Code	
	MAJOR ASSEMBLY POWER PLANT INSTALLATION - EQUIPMENT-									
	PART NUMBER	1	2	3	4	5	6 7			NOMENCLATURE
37 -	AN742-12							Clamp	1	ALL
	AN742-D17C							Clamp	1	ALL
- 19	106200H-12							Hose	1	ALL
	AN742-D17C							Clamp	2	ALL
- 20	3MBA6692							Line Assembly - Crankcase vent	1	ALL
	755-12							Clamp (AP)	2	ALL
	755-14							Clamp (AP)	1	ALL
	AN818-12D							Nut	1	ALL
	AN819-12D							Sleeve	1	ALL
- 21	AN913-8							Plug - 1 in.	1	ALL
								OR		
	AN820-12							Cap	1	ALL
- 22	AN931-14-20							Grommet	1	ALL
- 23	18S5853							Channel Assembly - Wrapper Sheet support	1	ALL
								Attaching Parts		
- 24	AN3-4							Bolt - Aircraft No. 10-32 x 1/2 in.	4	ALL
	AN960-10							Washer - Plain No. 10	8	ALL
	AN310-3							Nut - Castellated No. 10-32	4	ALL
	AN380-2-2							Pin - Cotter 1/16 x 1/2 in.	4	ALL
- 25	AN505-8-8							Screw - Flat head No. 8-32 x 1/2 in.	2	ALL
	AN960-8							Washer - Plain No. 8	2	ALL
	AN365-832							Nut - Self locking No. 8-32	2	ALL
- 26	NAR9B-19							Carburettor (ST)	1	ALL
	6906							Deck Screen	1	ALL
								Attaching Parts		
- 27	18S9183-1							Bolt - Carburettor Adapter (Front) - made from AN76A12 - 3/8" x 16	2	ALL
	AN5-12A							Bolt - Carburettor Adapter (Rear) - 5/16" x 24"	2	ALL
	18S9184							Bushing - Carburettor Adapter	2	ALL
	AN960-616							Washer - Plain 3/8"	2	ALL
	AN960-516							Washer - Plain 5/16"	2	ALL
	AN365-524							Nut - Self locking 5/16" x 24	2	ALL
	AN995NC40-8							Wire - Locking	AR	ALL
- 28	4-189179							Gasket - Carburettor Adapter Lower	1	ALL
- 29	18S9181							Adapter - Carburettor	1	ALL
								Attaching Parts		
- 30	18S9186							Stud - Carburettor Adapter	1	ALL
- 31	18S9182							Brace - Carburettor	1	ALL
								Attaching Parts		
- 32	AN76A12							Bolt - Aircraft 3/8" x 16	2	ALL
	103053							Shim	AR	ALL
- 33	4-189180							Gasket - Carburettor Adapter Upper	1	ALL

FIGURE and INDEX NUMBER	GROUP POWER PLANT							Units Per Ass'y	Usage on Code		
	MAJOR ASSEMBLY POWER PLANT INSTALLATION EQUIPMENT Cont'd.										
	PART NUMBER	1	2	3	4	5	6			7	NOMENCLATURE
37 - 34	SB9RN-4***								Magneto (SNT)	2	ALL
	SB9RU-3								Magneto (AM)	2	ABC
	SB9RN/W								Magneto (BX) (2-953-3)	2	D
	C26S								Spark Plug - (CHP)	18	ALL
									* These parts are interchangeable		
									** This drawing modifies and is to be used in conjunction with 644-189890 and 604-189892		
									*** Two types of radio Shields used (1) 2-1068-Y - Top adapter (2) 10-7595-Y - Slide adapter		

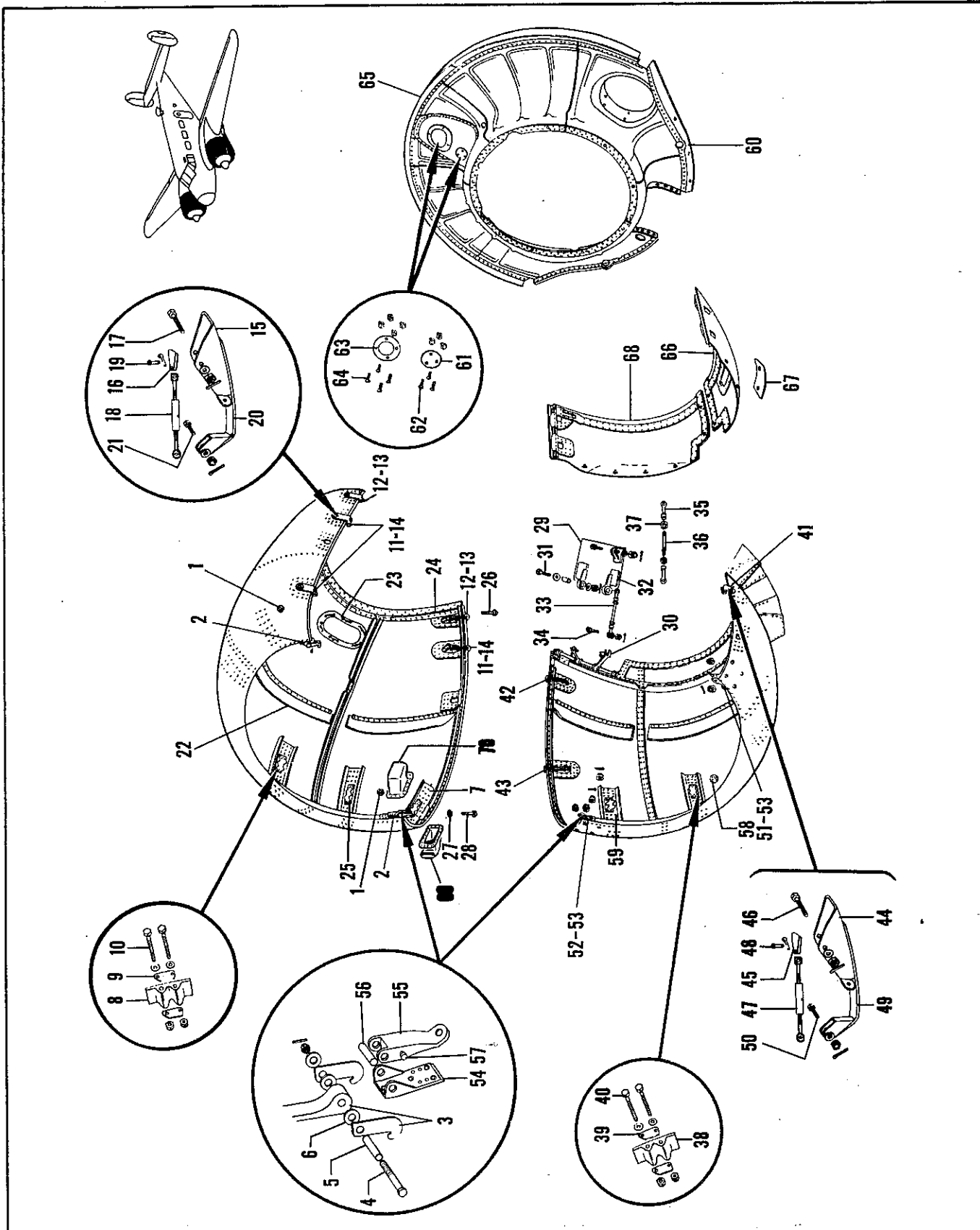


Figure 38 (Issue 1) Cowling Assembly

FIGURE and INDEX NUMBER	GROUP POWER PLANT							Units Per Ass'y	Usage on Code		
	MAJOR ASSEMBLY			COWLING ASSEMBLY							
	PART NUMBER	1	2	3	4	5	6			7	NOMENCLATURE
38 -	404-185901*								Cowling Assembly - Engine upper (see Figure 1)	Ref	ALL
-	185901-										
	CO55863*								Cowling Assembly - Engine upper (see Figure 1)	Ref	ALL
- 1	74								Jack - Bonding Assembly (RLI)	2	ALL
- 2	404-185901-23								Fastener Assembly - Cowling front LH (use with 404-185901 only)	1	ALL
	185901-23								Fastener Assembly - Cowling front LH (use with 185901-CO55683 only)	1	ALL
	404-185901-24								Fastener Assembly - Cowling front RH (use with 404-185901 only)	1	ALL
	185901-24								Fastener Assembly - Cowling front RH (use with 185901-CO55683 only)	1	ALL
	205402								Plate	2	ALL
- 3	185915								Fastener Assembly - Front Cowl Upper	2	ALL
	185916								Hinge - Front cowl fastener upper	1	ALL
	105350								Link - Front cowl fastener upper	2	ALL
									Attaching Parts		
- 4	AN4-14								Bolt - Aircraft No. 1/4-28 x 1-1/2 in.	1	ALL
	AN960-416								Washer - Plain No. 1/4 in.	2	ALL
	AN310-4								Nut - Castellated No. 1/4-28	1	ALL
	AN380-2-2								Pin - Cotter 1/16 x 1/2 in.	1	ALL
- 5	100801-X5-0785								Bushing - Front cowl fastener upper	1	ALL
- 6	100696-D22										
	-11-004								Spacer - Front cowl fastener upper	2	ALL
- 7	404-185906								Plate	1	ALL
- 8	18S5921-1								Bracket - Cowl support	1	ALL
- 9	18S5937								Plate - Fore and aft bracket	2	ALL
									Attaching Parts		
- 10	AN3-22A								Bolt - Aircraft No. 10-32 x 2-1/4 in.	2	ALL
	AN960-10								Washer - Plain No. 10	2	ALL
	AN365-1032								Nut - Self locking No. 10-32	2	ALL
- 11	404-185901-10								Fastener Assembly LH (use with 404-185901 only)	1	ALL
	185901-10								Fastener Assembly LH (use with 185901-CO55683 only)	1	ALL
	185906								Plate	1	ALL
	404-185901-13								Fastener Assembly LH (use with 404-185901 only)	1	ALL
	185901-13								Fastener Assembly LH (use with 185901-CO55683 only)	1	ALL
	185908								Plate	1	ALL
	404-185901-14								Fastener Assembly RH (use with 404-185901 only)	1	ALL
	185901-14								Fastener Assembly RH (use with 185901-CO55683 only)	1	ALL
	185908-1								Plate	1	ALL

FIGURE and INDEX NUMBER	GROUP POWER PLANT							Units Per Ass'y	Usage on Code	
	MAJOR ASSEMBLY COWLING ASSEMBLY Cont'd.									
	PART NUMBER	1	2	3	4	5	6 7			NOMENCLATURE
38 - 12	404-185901-17							Fastener Assembly LH (use with 404-185901 only)	1	ALL
	185901-17							Fastener Assembly LH (use with 185901-CO55863 only)	1	ALL
	185909							Plate	1	ALL
	404-185901-18							Fastener Assembly RH (use with 404-185901 only)	1	ALL
	185901-18							Fastener Assembly RH (use with 185901-CO55683)	1	ALL
	185909-1							Plate	1	ALL
- 13	S36-1							Fastener Cowl (for 404-185901-17, -18 and 185901-17, -18)	2	ALL
- 14	S36-7							Fastener Cowl (for 404-185901-10, -13, -14 and 185901-10, -13, -14)	3	ALL
- 15	S36-6							Bracket (for S36-7 fastener)	1	ALL
	S36-2L							Bracket (for S36-1 fastener)	1	ALL
	S36-2R							Bracket (for S36-1 fastener)	1	ALL
- 16	S36-4							Clip - Cowl fastener	1	ALL
		Attaching Parts								
- 17	AN3-12							Bolt - Aircraft No. 10-32 x 1-1/4 in.	1	ALL
	AN310-3							Nut - Castellated No. 10-32	1	ALL
	AN380-2-2							Pin - Cotter 1/16 x 1/2 in.	1	ALL
	AN960-10							Washer - Plain No. 10	1	ALL
- 18	107464							Turnbuckle - Cowl fastener	1	ALL
		Attaching Parts								
- 19	AN393-11							Pin - Flathead	1	ALL
	AN380-2-2							Pin - Cotter 1/16 x 1/2 in.	1	ALL
- 20	S36-3							Extension - Cowl fastener	1	ALL
		Attaching Parts								
- 21	AN3-6							Bolt - Aircraft No. 10-32 x 3/4 in.	1	ALL
	AN320-3							Nut - Castle Shear No. 10-32	1	ALL
	AN380-2-2							Pin - Cotter 1/16 x 1/2 in.	1	ALL
	AN960-10							Washer - Plain No. 10	1	ALL
- 22	185928							Seal - Cowl	3	ALL
- 23	84-185902							Door - Cowling RH	1	ALL
- 24	404-185901-9							Angle	1	ALL
- 25	18S5921-2							Bracket - Cowl support	4	ALL
- 26	18S5906							Stud - Cowling joint	2	ALL
- 27	105090-CR016 -3-014							Washer	AR	ALL
- 28	185918							Stud - Cowling joint	2	ALL
	404-185901-22							Ring - Cowling reinforcement	1	ALL
	404-185903*							Cowling Assembly - Engine lower (see Figure 1)	Ref	ALL
	185903- CO 55861*							Cowling Assembly - Engine lower (see Figure 1)	Ref	ALL

Figure and Index Number	Group POWER PLANT							Units per Assy	Usage on Code			
	Major Assembly COWLING ASSEMBLY (Cont'd)											
	Part	1	2	3	4	5	6			7	Nomenclature	
38 - 29	18S5972L								Upper Cowl flap LH	1	ALL	
	18S5972R								Upper Cowl flap RH	1	ALL	
	185971L								Center Cowl flap LH	1	ALL	
	185971R								Center Cowl flap RH	1	ALL	
	18S5973L								Lower Cowl flap LH	1	ALL	
	18S5973R								Lower Cowl flap RH	1	ALL	
	- 30	304918								Horn Assembly - Cowl flap LH (used on 185971L)	1	ALL
		304918-1								Horn Assembly - Cowl flap RH (used on 185971R)	1	ALL
		105212								Bushing	1	ALL
		185981L								Horn - Cowl flap connecting (used on 185971R)	1	ALL
		185981R								Horn - Cowl flap connecting (used on 185971L)	1	ALL
		185979-4								Bushing	1	ALL
		Attaching Parts										
		- 31	AN3-11								Bolt - Aircraft No. 10-32 x 1-1/8 in.	12
AN310-3									Nut - Castellated No. 10-32	12	ALL	
AN960-10L									Washer - Plain No. 10	24	ALL	
AN380-2-2									Pin - Cotter 1/16 x 1/2 in.	12	ALL	
- 32	185984LH								Hinge - Cowl flap LH	6	ALL	
	185984RH								Hinge - Cowl flap RH	6	ALL	
	No Number								Bushing - Rubber make from 32C/456	6	ALL	
- 33	185967							Link Assembly - Cowl flap	4	ALL		
Attaching Parts												
- 34	AN3-11								Bolt - Aircraft No. 10-32 x 1-1/8 in.	8	ALL	
	AN310-3								Nut - Castellated No. 10-32	8	ALL	
	AN380-2-2								Pin - Cotter 1/16 x 1/2 in.	8	ALL	
	AN960-10								Washer - Plain No. 10	8	ALL	
- 35	REB3N							End - Cowl flap link (FAF)	2	ALL		
- 36	185968**								Link - Cowl flaps connector 1/4-32	1	ALL	
	185967**								Link - Cowl flaps connector 1/4-32	1	ALL	
- 37	AN315-4R							Nut - Check 1/4-28	2	ALL		
- 38	18S5921-1							Bracket - Cowl support	1	ALL		
- 39	18S5937							Plate - Fore and aft bracket	2	ALL		
Attaching Parts												
- 40	AN3-21A								Bolt - Aircraft No. 10-32 x 2-1/8 in.	2	ALL	
	AN960-10								Washer - Plain No. 10	2	ALL	
	AN365-1032								Nut - Self locking No. 10-32	2	ALL	

FIGURE and INDEX NUMBER	GROUP POWER PLANT							Units Per Ass'y	Usage on Code	
	MAJOR ASSEMBLY COWLING ASSEMBLY Cont'd.									
	PART NUMBER	1	2	3	4	5	6 7			NOMENCLATURE
38 - 41	404-185903-20							Fastener Assembly LH (use with 404-185903 only)	1	ALL
	185903-20							Fastener Assembly LH (use with 185903-CO55861)	1	ALL
	185907							Plate	1	ALL
- 42	404-185903-21							Fastener Assembly RH (use with 404-185903 only)	1	ALL
	185903-21							Fastener Assembly RH (use with 185903-CO55861)	1	ALL
	185907-1							Plate	1	ALL
- 43	404-185903-22							Fastener Assembly RH (use with 404-185903 only)	1	ALL
	185903-22							Fastener Assembly RH (use with 185903-CO55861)	1	ALL
	185906							Plate	1	ALL
	S36-7							Fastener - Cowl	3	ALL
- 44	S36-6							Bracket	1	ALL
- 45	S36-4							Clip	1	ALL
		Attaching Parts								
- 46	AN3-12							Bolt	1	ALL
	AN310-3							Nut	1	ALL
	AN380-2-2							Pin	1	ALL
	AN960-10							Washer	1	ALL
- 47	107464							Turnbuckle - Cowl fastener	1	ALL
		Attaching Parts								
- 48	AN393-11							Pin - Flathead No. 10 x 1/2 in.	1	ALL
	AN380-2-2							Pin - Cotter 1/16 x 1/2 in.	1	ALL
- 49	S36-3							Extension - Cowling fastener	1	ALL
		Attaching Parts								
- 50	AN3-6							Bolt - Aircraft No. 10-32 x 3/4 in.	1	ALL
	AN320-3							Nut - Castle shear No. 10-32	1	ALL
	AN380-2-2							Pin - Cotter 1/16 x 1/2 in.	1	ALL
	AN960-10							Washer - Plain No. 10	1	ALL
- 51	404-185903-32							Rivet Assembly - Cowling front LH (use with 404-185903 only)	1	ALL
	185903-32							Rivet Assembly - Cowling front LH (use with 185903-CO55681 only)	1	ALL
- 52	404-185903-31							Rivet Assembly - Cowling front RH (use with 404-185903 only)	1	ALL
	185903-31							Rivet Assembly - Cowling front RH (use with 185903-CO55681 only)	1	ALL
	205401							Plate	2	ALL
- 53	185920							Fastener Assembly - Cowling lower	2	ALL
- 54	185917							Hinge - Fastener Assembly	1	ALL
- 55	105349							Arm - Fastener Assembly	1	ALL
								OR		
	105349-600							Arm - Fastener Assembly (use for spare part)	1	ALL
		Attaching Part								
- 56	105352							Bushing - Fastener Assembly	1	ALL



FIGURE and INDEX NUMBER	GROUP POWER PLANT							Units Per Ass'y	Usage on Code	
	MAJOR ASSEMBLY COWLING ASSEMBLY Cont'd.									
	PART NUMBER	1	2	3	4	5	6 7			NOMENCLATURE
38 - 57	105351							Pin - Fastener Assembly	1	ALL
- 58	74							Jack - Bonding Assembly (RLI)	1	ALL
- 59	18S5921-2							Bracket - Cowl Support	3	ALL
	185989							Seal - Lower cowl side	2	ALL
	185987							Seal - Lower cowl bottom	1	ALL
- 60	84-185910-1							Cowling Assembly - Engine inner RH (see Figure 36)	Ref	ALL
	84-185910-2							Cowling Assembly - Engine inner LH (see Figure 36)	Ref	ALL
- 61	84-185910-50							Cover - Cowling inner	1	ALL
								Attaching Parts		
- 62	AN526-832-6							Screw - Truss head No. 8-32 x 3/8 in.	3	ALL
	AN372-832							Nut - Self locking No. 8-32	3	ALL
- 63	84-185910-28							Cover - Cowling inner	1	ALL
								Attaching Parts		
- 64	AN526-832-6							Screw - Truss head No. 8-32 x 3/8 in.	4	ALL
	AN372-832							Nut - Self locking No. 8-32	4	ALL
- 65	84-185896							Seal	6	ALL
- 66	18S5850P-16							Wrapper Sheet Assembly - Outboard LH (see Figure 36)	Ref	ALL
	18S5850P-19							Wrapper Sheet Assembly - Outboard RH (see Figure 36)	Ref	ALL
- 67	18S5850P-21							Door Assembly - Wrapper sheet outboard only	1	ALL
- 68	18S5850P-17							Wrapper Sheet Assembly - Inboard LH (see Figure 36)	Ref	ALL
	18S5850P-18							Wrapper Sheet Assembly - Inboard RH (see Figure 36)	Ref	ALL
- 69	47570-1							Air Scoop (see Figure 39A)	1	ALL
- 70	47569-1							Elbow (see Figure 39A)	1	ALL
								* These parts are not interchangeable. 404-185901 and 404-185903 assemblies used on 3N, 3NM and 3TM aircraft. 185901-CO55863 and 185903-CO55861 Assemblies originally used on 3T aircraft.		
								** These parts are interchangeable.		

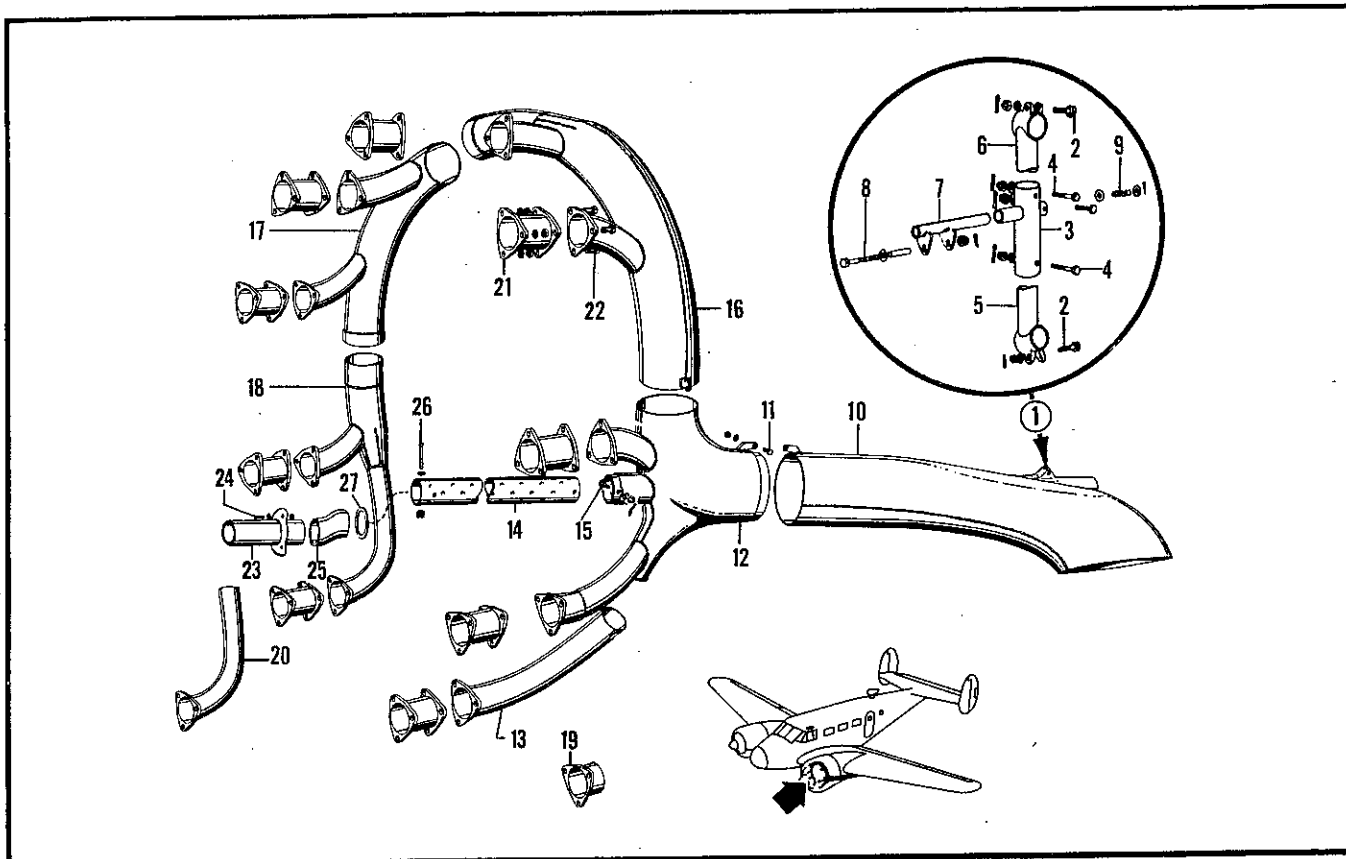


Figure 39 (Issue 1) Engine Exhaust System Installation LH and RH

FIGURE and INDEX NUMBER	GROUP POWER PLANT							Units Per Ass'y	Usage on Code	
	MAJOR ASSEMBLY ENGINE EXHAUST SYSTEM INSTALLATION LH - RH									
	PART NUMBER	1	2	3	4	5	6 7			NOMENCLATURE
39 -	18S9200 L-500							Exhaust Installation - Engine system LH ( See Figure 1 )	Ref	ALL
	18S9200 R-500							Exhaust Installation - Engine system RH ( See Figure 1 )	Ref	ALL
- 1	189210LH 189210RH							Bracket Assembly - Tail pipe exhaust LH Bracket Assembly - Tail pipe exhaust RH	1 1	ALL ALL
								Attaching Parts		
- 2	AN4-10 AN960-416 AN310-4 AN380-2-2							Bolt - Aircraft 1/4-28 x 1 in. Washer - Plain 1/4 in. Nut - Castellated 1/4 - 28 Pin - Cotter 1/16 x 1/2 in.	2 2 2 2	ALL ALL ALL ALL
- 3	189212							Bracket - Exhaust tail pipe	1	ALL
								Attaching Parts		
- 4	AN3-13 AN960-10 AN310-3 AN380-2-2							Bolt - Aircraft No. 10-32 x 1-3/8 in. Washer - Plain No. 10 Nut - Castellated No. 10-32 Pin - Cotter 1/16 x 1/2 in.	2 2 2 2	ALL ALL ALL ALL

FIGURE and INDEX NUMBER	GROUP POWER PLANT							Units Per Ass'y	Usage on Code			
	MAJOR ASSEMBLY		ENGINE EXHAUST SYSTEM INSTALLATION LH - RH Cont'd.									
	PART NUMBER	1	2	3	4	5	6			7	NOMENCLATURE	
39 - 5	189211 L								Clamp - Tail pipe bracket lower LH	1	ALL	
	189211 R								Clamp - Tail pipe bracket lower	1	ALL	
- 6	189213								Clamp - Tail pipe bracket upper	1	ALL	
- 7	18S9212-5								Shackle Assembly - Bracket	1	ALL	
		Attaching Parts										
- 8	AN4-21								Bolt - Aircraft 1/4-28 x 2-1/8 in.	1	ALL	
	100801-X5								Bushing	1	ALL	
	-1500								Washer	1	ALL	
	AN960-416								Nut - Castellated 1/4-28	1	ALL	
	AN310-4								Pin - Cotter 1/16 x 1/2 in.	1	ALL	
	AN380-2-2								Shackle - Tail pipe bracket	1	ALL	
- 9	18S9212-5								Spring - Tail pipe exhaust bracket	1	ALL	
	100943-091-								Attaching Parts			
	017-024-4								Washer - Plain 1/2 in.	1	ALL	
	AN960-816								Washer - Plain 1/2 in.	1	ALL	
	AN960-816L								Pin - Cotter 1/8 x 3/4 in.	1	ALL	
	AN380-4-3								Pipe Assembly - Exhaust system tail LH	1	ALL	
- 10	189208-2								Pipe Assembly - Exhaust system tail RH	1	ALL	
	189208-3								Attaching Parts			
- 11	AN3-5								Bolt - Aircraft No. 10-32 x 5/8 in.	1	ALL	
	AN960-10								Washer - Plain No. 10	1	ALL	
	AN310-3								Nut - Castellated No. 10-32	1	ALL	
	AN381-2-16								Pin - Cotter 1/16 x 1 in.	1	ALL	
- 12	18S9200 L-1								Segment Assembly - Exhaust system LH	1	ALL	
	18S9200 R-1								Segment Assembly - Exhaust system RH	1	ALL	
- 13	18S9209								Elbow Assembly - Exhaust system LH and RH	1	ALL	
- 14	189207-2								Tube - Intensifier exhaust LH/RH	1	ALL	
		Attaching Parts										
- 15	AN3-4								Bolt - Aircraft No. 10-32 x 17/32 in.	2	ALL	
	AN960-10								Washer - Plain No. 10	4	ALL	
	AN310-3								Nut - Castellated No. 10-32	2	ALL	
	AN381-2-16								Pin - Cotter 1/16 x 1 in.	2	ALL	
- 16	18S9200 L-3								Segment Assembly - Exhaust system LH	1	ALL	
	18S9200 R-4								Segment Assembly - Exhaust system RH	1	ALL	
- 17	18S9200 L-7								Segment Assembly - Exhaust system LH	1	ALL	
	18S9200 R-7								Segment Assembly - Exhaust system RH	1	ALL	
- 18	18S9200 L-9								Segment Assembly - Exhaust system LH	1	ALL	
	18S9200 R-11								Segment Assembly - Exhaust system RH	1	ALL	
- 19	18S9200 L-26								Collar Assembly - Exhaust system elbow LH	1	ALL	
- 20	18S9200 R-27								Elbow Assembly - Exhaust system RH	1	ALL	
- 21	18S9204								Adapter - Exhaust stack elbow LH/RH	9	ALL	
		Attaching Parts										
- 22	S-185-102-010								Bolt - 5/16-24 (Make from AN5A bolt) (per adapter)	3	ALL	

FIGURE and INDEX NUMBER	POWER PLANT							Units Per Ass'y	Usage on Code	
	ENGINE EXHAUST SYSTEM									
	MAJOR ASSEMBLY INSTALLATION LH - RH Cont'd									
PART NUMBER	1	2	3	4	5	6	7	NOMENCLATURE		
39 -	AN365-524							Nut - 5/16 -24	3	ALL
	46A1135-524							Nut - Self locking exhaust manifold (PW)	3	ALL
	54-189216							Tube Installation - Intensifier air intake ( See Figure 36)	Ref	ALL
- 23	189220-1							Inlet Assembly - Intensifier tube	1	ALL
								Attaching Parts		
- 24	AN515-8-8							Screw - Round head No. 8-32 x 1/2 in.	3	ALL
	AN960-8							Washer - Plain No. 8	3	ALL
	AN365-832							Nut - Self locking No. 8-32	3	ALL
- 25	189217							Elbow Assembly - Intensifier tube	1	ALL
								Attaching Parts		
- 26	AN515-8-40							Screw - Round head No. 8-32 x 2-1/2 in.	1	ALL
	AN372-832							Nut - Self locking No. 8-32	1	ALL
	AN960-8							Washer - Plain No. 8	1	ALL
- 27	189218							Deflector - Intensifier tube	1	ALL

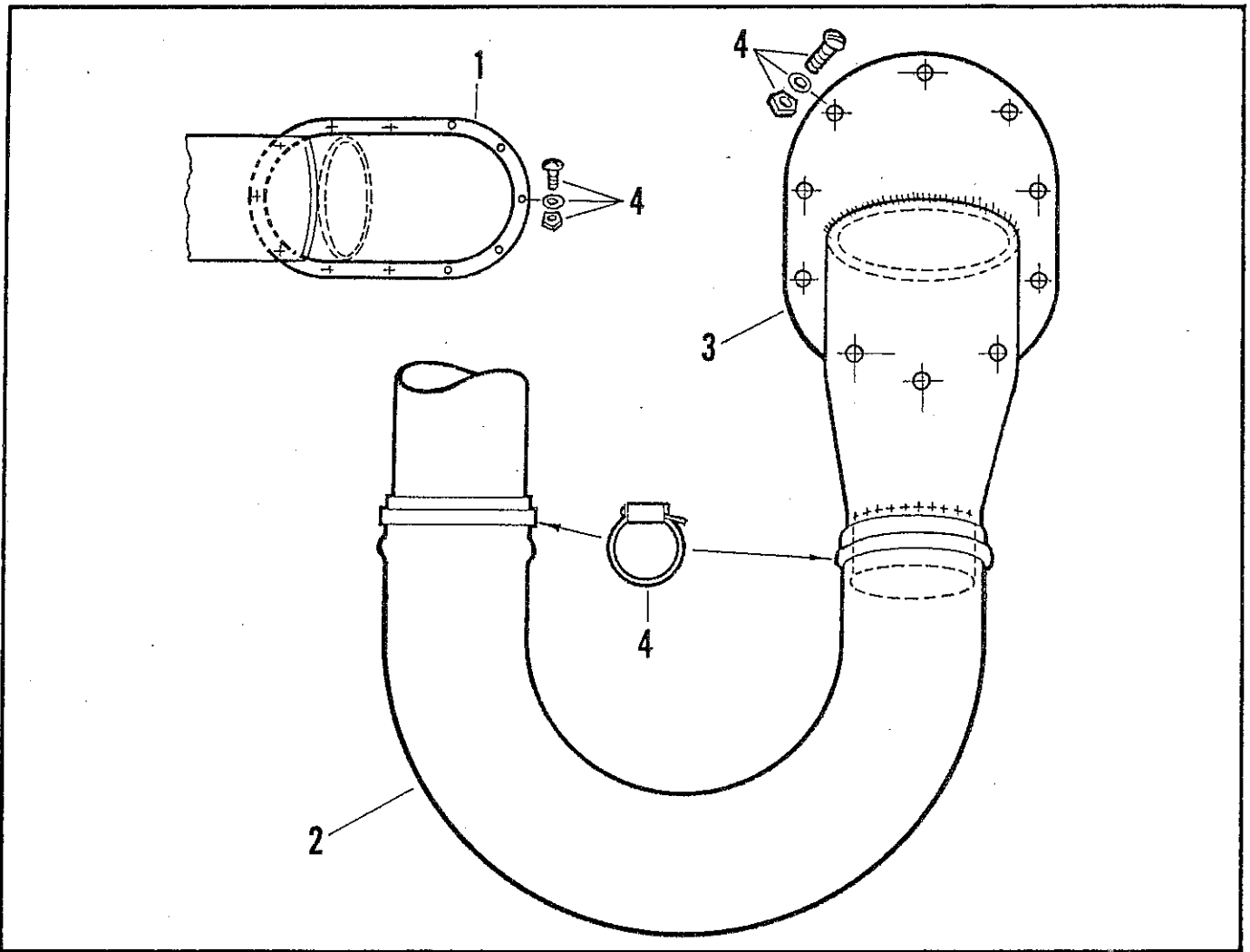
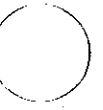


Figure 39A (Issue 1) Heating System Air Scoop LH or RH

Figure and Index Number	Group POWER PLANT					Units per Assy	Usage on Code
	Major Assembly HEATING SYSTEM AIR SCOOP						
	Part	1	2	3	4 5 6 7		
39A - 1	47570-1	.	Air Scoop	.	.	1	ALL
- 2	109644-016-5A	.	Hose	.	.	1	ALL
- 3	47569-1	.	Elbow	.	.	1	ALL
			Attaching Parts				
- 4	AGS605-2	.	Clamps	.	.	2	ALL
	AN515-6R7	.	Screws	.	.	12	ALL
	AN507-632R6	.	Screws	.	.	3	ALL
	NAS679-A06	.	Nuts	.	.	15	ALL
	AN960-6	.	Washers	.	.	15	ALL



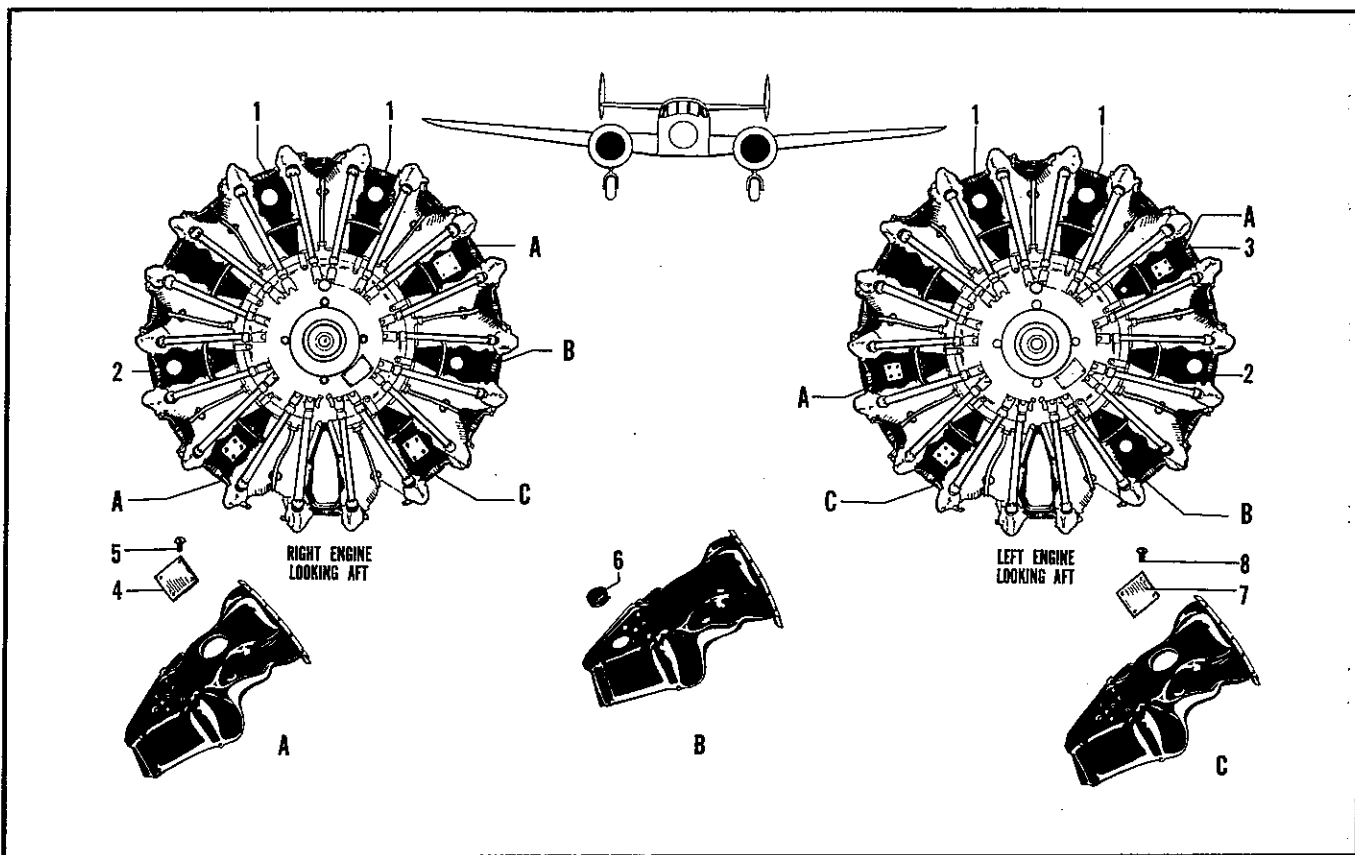


Figure 40. Engine Baffle Installation

FIGURE and INDEX NUMBER	GROUP POWER PLANT		Units Per Ass'y	Usage on Code
	MAJOR ASSEMBLY ENGINE Baffle INSTALLATION			
	PART NUMBER	1 2 3 4 5 6 7 NOMENCLATURE		
40 -	189110	Baffle Installation - Engine (See Figure 36)	Ref	ALL
- 1	189109	Baffle - Carburettor hot air intake (make from PW39982)	2	ALL
- 2	189108	Baffle - Intensifier tube inlet (make from PW39982)	1	ALL
- 3	189107	Baffle - No. 8 and No. 9 inner cylinder LH	2	ALL
- 4	84-189114	Plate - Baffle small patch	2	ALL
		Attaching Parts		
- 5	AN515-8-8	Screw - Round head No. 8-32 x 1/2 in.	8	ALL
	AN960-8	Washer - Plain No. 8	8	ALL
	AN365-832	Nut - Self locking No. 8-32	8	ALL
- 6	M33705	Plug - (GD)	1	ALL
- 7	84-189115	Plate - Baffle large patch	1	ALL
		Attaching Parts		
- 8	AN515-8-8	Screw - Round head No. 8-32 x 1/2 in.	4	ALL
	AN960-8	Washer - Plain No. 8	4	ALL
	AN365-832	Nut - Self locking No. 8-32	4	ALL

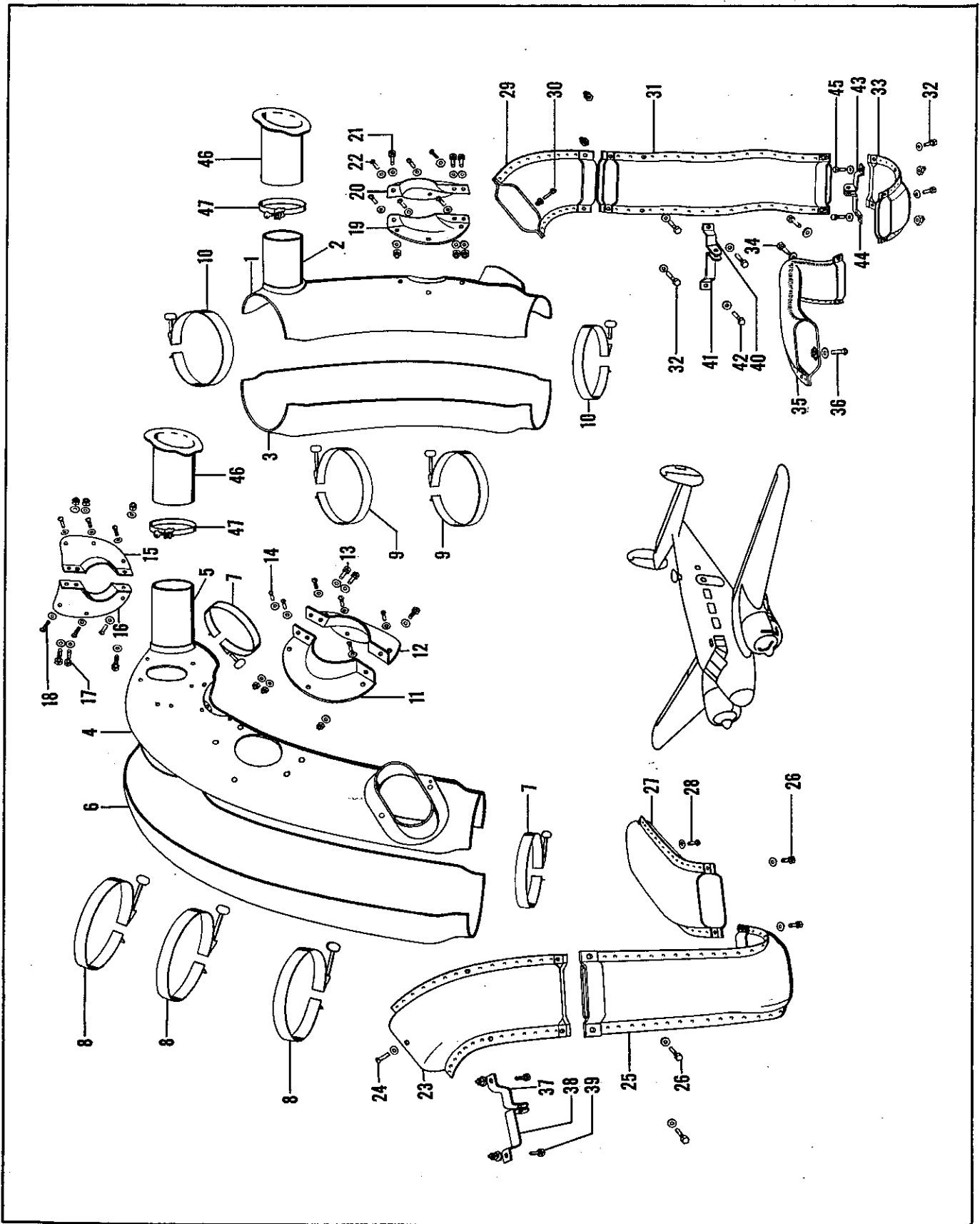


Figure 41. Carburettor Heater Muff Installation LH



FIGURE and INDEX NUMBER	GROUP POWER PLANT							Units Per Ass'y	Usage on Code		
	MAJOR ASSEMBLY CARBURETTOR HEATER MUFF INSTALLATION LH										
	PART NUMBER	1	2	3	4	5	6			7	NOMENCLATURE
41 -	189174								Muff Installation - Carburettor heater LH (see Figure 36) OR	Ref	ALL
	189174-610								Muff Assembly - Left engine carburettor heat (use for spare part, see Figure 36) OR	Ref	ALL
	189174-620								Muff Assembly - Left engine carburettor heat (use for spare part, see Figure 36) OR	Ref	ALL
	189174-630								Muff and Exhaust System - Left engine carburettor heat (use for spare part, see Figure 36)	Ref	ALL
	189171								Muff Assembly - Carburettor heater LH	1	ALL
- 1	189165								Shell Assembly - Heater muff front LH	1	ALL
- 2	189222								Inlet - Large heater muff LH	1	ALL
- 3	189163								Shell Assembly - Heater muff rear LH	1	ALL
- 4	189158								Shell Assembly - Heater muff front RH	1	ALL
- 5	189221								Inlet - Small heater muff LH	1	ALL
- 6	189154								Shell Assembly - Heater muff rear RH	1	ALL
- 7	105798-14								Clamp - Shell assembly inboard	2	ALL
- 8	105798-17								Clamp - Shell assembly inboard	3	ALL
- 9	105798-21								Clamp - Shell assembly outboard	2	ALL
- 10	105798-18								Clamp - Shell assembly outboard	2	ALL
- 11	189171-2								Collar - Muff assembly half inboard	1	ALL
- 12	189171-4								Collar - Muff assembly half inboard	1	ALL
		Attaching Parts									
- 13	AN3-4A								Bolt - Aircraft No. 10-32 x 1/2 in.	3	ALL
	AN960-10								Washer - Plain No. 10	12	ALL
	NAS1021A3								Nut - Self locking No. 10-32	3	ALL
- 14	AN520-10-7								Screw - Round head No. 10-32 x 7/8 in.	6	ALL
- 15	189171-6								Collar - Muff assembly half outboard	1	ALL
- 16	189171-8								Collar - Muff assembly half outboard	1	ALL
		Attaching Parts									
- 17	AN3-4A								Bolt - Aircraft No. 10-32 x 1/2 in.	2	ALL
	AN960-10								Washer - Plain No. 10	10	ALL
	NAS1021A3								Nut - Self locking No. 10-32	2	ALL
- 18	AN520-10-7								Screw - Round head No. 10-32 x 7/16 in.	6	ALL
- 19	189171-10								Collar - Muff assembly half outboard	1	ALL
- 20	189171-12								Collar - Muff assembly half outboard	1	ALL
		Attaching Parts									
- 21	AN3-4A								Bolt - Aircraft No. 10-32 x 1/2 in.	3	ALL
	AN960-10								Washer - Plain No. 10	12	ALL
	NAS1021A3								Nut - Self locking No. 10-32	3	ALL
- 22	AN520-10-7								Screw - Round head No. 10-32 x 7/16 in.	6	ALL

FIGURE and INDEX NUMBER	GROUP POWER PLANT							Units Per Ass'y	Usage on Code		
	MAJOR ASSEMBLY		CARBURETTOR HEATER MUFF INSTALLATION LH Cont'd.								
	PART NUMBER	1	2	3	4	5	6			7	NOMENCLATURE
41 - 23	189159								Duct Assembly - Carburettor hot air upper RH	1	ALL
		Attaching Parts									
- 24	AN520-10-8								Screw - Round head No. 10-32 x 1/2 in.	1	ALL
	AN960-10								Washer - Plain No. 10	1	ALL
- 25	189142								Duct Assembly - Carburettor hot air center RH	1	ALL
		Attaching Parts									
- 26	AN3-5A								Bolt - Aircraft No. 10-32 x 5/8 in.	4	ALL
	AN960-10								Washer - Plain No. 10	4	ALL
- 27	189140								Duct Assembly - Carburettor hot air lower RH	1	ALL
		Attaching Parts									
- 28	AN515-8-10								Screw - Round head No. 8-32 x 5/8 in.	1	ALL
	AN960-8								Washer - Plain No. 8	1	ALL
- 29	189166								Duct Assembly - Carburettor muff outlet LH	1	ALL
		Attaching Parts									
- 30	AN520-10-8								Screw - Round head No. 10-32 x 1/2 in.	1	ALL
	AN960-10								Washer - Plain No. 10	1	ALL
- 31	189162								Duct Assembly - Carburettor hot air upper LH	1	ALL
		Attaching Parts									
- 32	AN3-5A								Bolt - Aircraft No. 10-32 x 5/8 in.	4	ALL
	AN960-10								Washer - Plain No. 10	4	ALL
- 33	189161								Duct Assembly - Carburettor hot air center LH	1	ALL
		Attaching Parts									
- 34	AN3-5A								Bolt - Aircraft No. 10-32 x 5/8 in.	2	ALL
	AN960-10								Washer - Plain No. 10	2	ALL
- 35	189160								Duct Assembly - Carburettor hot air lower LH	1	ALL
		Attaching Parts									
- 36	AN515-8-10								Bolt - Round head No. 8-32 x 5/8 in.	1	ALL
	AN960-8								Washer - Plain No. 8	1	ALL
- 37	189183								Clamp - Muff assembly inboard	1	ALL
- 38	189184								Clamp - Muff assembly inboard	1	ALL
		Attaching Parts									
- 39	AN3-5A								Bolt - Aircraft No. 10-32 x 5/8 in.	2	ALL
	AN960-10								Washer - Plain No. 10	2	ALL
	NAS1021A3								Nut - Self locking No. 10-32	2	ALL
- 40	189169								Clamp - Muff Assembly upper	1	ALL
- 41	189170								Clamp - Muff Assembly upper	1	ALL
		Attaching Parts									
- 42	AN3-5A								Bolt - Aircraft No. 10-32 x 5/8 in.	2	ALL
	AN960-10								Washer - Plain No. 10	2	ALL
	NAS1021A3								Nut - Self locking No. 10-32	2	ALL

FIGURE and INDEX	GROUP POWER PLANT							Units Per Ass'y	Usage on Code			
	MAJOR ASSEMBLY			CARBURETTOR HEATER MUFF INSTALLATION LH Cont'd.								
	NUMBER	PART NUMBER	1	2	3	4	5			6	7	NOMENCLATURE
41 - 43	189172									Clamp - Lower muff assembly	1	ALL
- 44	189173									Clamp - Lower muff assembly	1	ALL
										Attaching Parts		
- 45	AN3-5A									Bolt - Aircraft No. 10-32 x 5/8 in.	2	ALL
	AN960-10									Washer - Plain No. 10	2	ALL
	NAS1021A3									Nut - Self locking No. 10-32	2	ALL
- 46	189224									Inlet - Carburettor heater muff	2	ALL
- 47	105798-10									Clamp - Heater muff inlet	2	ALL

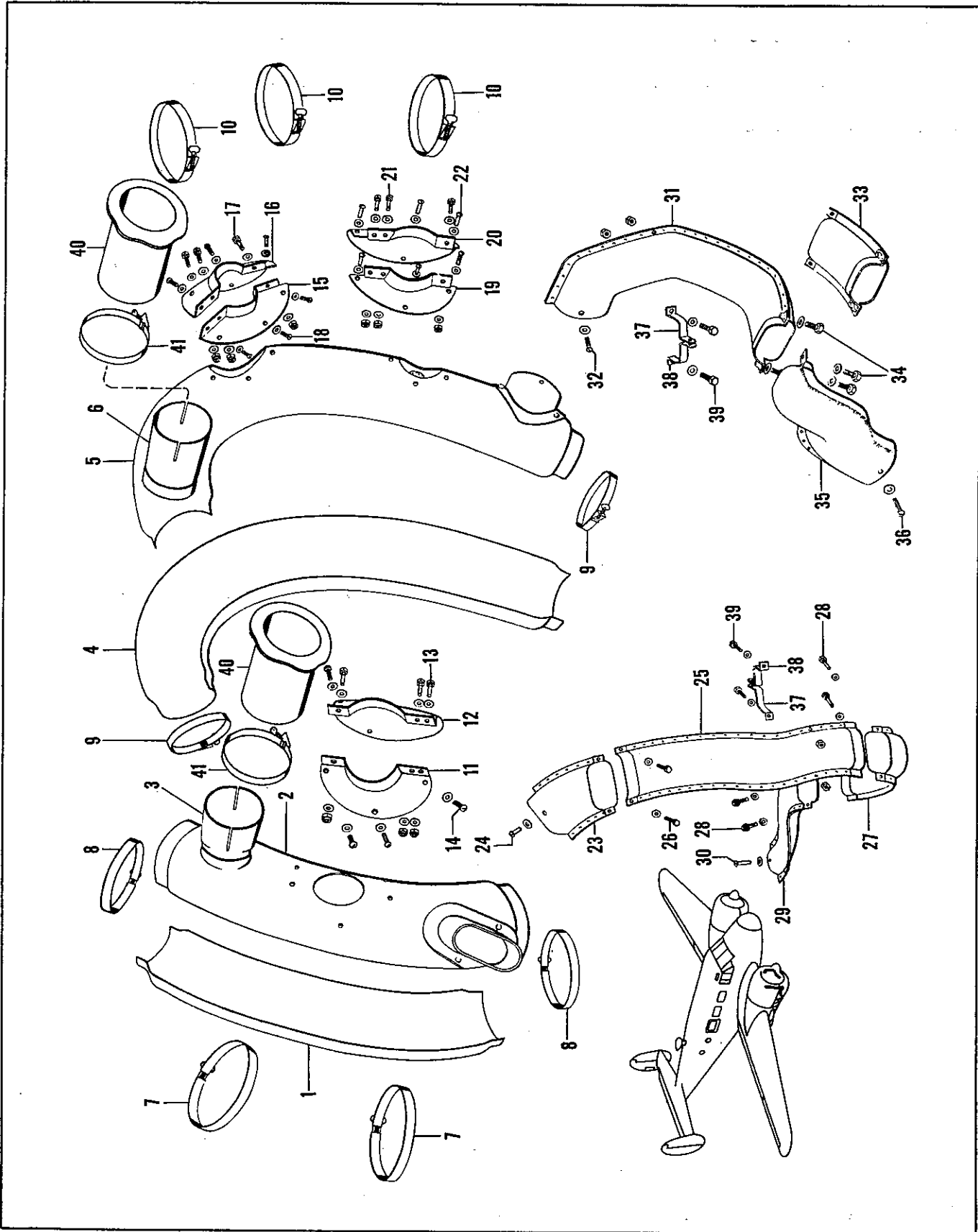


Figure 42. Carburettor Heater Muff Installation RH

FIGURE and INDEX NUMBER	GROUP POWER PLANT							Units Per Ass'y	Usage on Code	
	MAJOR ASSEMBLY		CARBURETTOR HEATER MUFF INSTALLATION RH Cont'd.							
	PART NUMBER	1	2	3	4	5	6			7
42 -	189175	Muff Installation - Carburettor heater RH (see Figure 36)							Ref	ALL
	189175-611	Muff Assembly - Right engine carburettor heater (use for spare part, see Figure 36)							Ref	ALL
	189175-621	Muff Assembly - Right engine carburettor heater (use for spare part, see Figure 36)							Ref	ALL
	189175-631	Muff and Exhaust System - Right engine carburettor heater (use for spare part, see Figure 36)							Ref	ALL
	189186	Muff Assembly - Carburettor heater RH							1	ALL
- 1	189177	Shell Assembly - Heater Muff rear RH							1	ALL
- 2	189182	Shell Assembly - Heater Muff front RH							1	ALL
- 3	189226	Inlet - Large heater muff							1	ALL
- 4	189181	Shell Assembly - Heater muff rear LH							1	ALL
- 5	189180	Shell Assembly - Heater muff front LH							1	ALL
- 6	189223	Inlet - Small heater muff							1	ALL
- 7	105798-21	Clamp - Shell assembly outboard							2	ALL
- 8	105798-18	Clamp - Shell assembly outboard							2	ALL
- 9	105798-14	Clamp - Shell assembly inboard							2	ALL
- 10	105798-17	Clamp - Shell assembly inboard							3	ALL
- 11	189186-2	Collar - Muff assembly half outboard							1	ALL
- 12	189186-4	Collar - Muff assembly half outboard							1	ALL
		Attaching Parts								
- 13	AN3-4A	Bolt - Aircraft No. 10-32 x 1/2 in.							3	ALL
	AN960-10	Washer - Plain No. 10							12	ALL
	NAS1021A3	Nut - Self locking No. 10-32							3	ALL
- 14	AN520-10-7	Screw - Round head No. 10-32 x 7/16 in.							6	ALL
- 15	189186-6	Collar - Muff assembly half inboard							1	ALL
- 16	189186-8	Collar - Muff assembly half inboard							1	ALL
		Attaching Parts								
- 17	AN3-4A	Bolt - Aircraft No. 10-32 x 1/2 in.							3	ALL
	AN960-10	Washer - Plain No. 10							12	ALL
	NAS1021A3	Nut - Self locking No. 10-32							3	ALL
- 18	AN520-10-7	Screw - Round head No. 10-32 x 7/16 in.							6	ALL
- 19	189186-10	Collar - Muff assembly half inboard							1	ALL
- 20	189186-12	Collar - Muff assembly half inboard							1	ALL
		Attaching Parts								
- 21	AN3-4A	Bolt - Aircraft No. 10-32 x 1/2 in.							3	ALL
	AN960-10	Washer - Plain No. 10							13	ALL
	NAS1021A3	Nut - Self locking No. 10-32							3	ALL
- 22	AN520-10-7	Screw - Round head No. 10-32 x 7/16 in.							7	ALL
	AN960-10	Washer							7	ALL

FIGURE and INDEX NUMBER	GROUP POWER PLANT							Units Per Ass'y	Usage on Code		
	MAJOR ASSEMBLY CARBURETTOR HEATER MUFF INSTALLATION RH Cont'd.										
	PART NUMBER	1	2	3	4	5	6			7	NOMENCLATURE
42 - 23	189121								Duct Assembly - Carburettor hot air upper RH	1	ALL
		Attaching Parts									
- 24	AN520-10-8								Screw - Round head No. 10-32 x 1/2 in.	1	ALL
	AN960-10								Washer - Plain No. 10	1	ALL
- 25	189179								Duct Assembly - Carburettor hot air center RH	1	ALL
		Attaching Parts									
- 26	AN3-5A								Bolt - Aircraft No. 10-32 x 5/8 in.	2	ALL
	AN960-10								Washer - Plain No. 10	2	ALL
- 27	189178								Duct Assembly - Carburettor hot air lower RH	1	ALL
		Attaching Parts									
- 28	AN3-5A								Bolt - Aircraft No. 10-32 x 5/8 in.	4	ALL
	AN960-10								Washer - Plain No. 10	4	ALL
- 29	189140								Duct Assembly - Carburettor hot air lower RH	1	ALL
		Attaching Parts									
- 30	AN515-8-10								Screw - Round head No. 8-32 x 5/8 in.	1	ALL
	AN960-8								Washer - Plain No. 8	1	ALL
- 31	189159-1								Duct Assembly - Carburettor hot air upper LH	1	ALL
		Attaching Parts									
- 32	AN520-10-8								Screw - Round head No. 10-32 x 1/2 in.	2	ALL
	AN960-10								Washer - Plain No. 10	2	ALL
- 33	189176								Duct Assembly - Carburettor hot air center LH	1	ALL
		Attaching Parts									
- 34	AN3-5A								Bolt - Aircraft No. 10-32 x 5/8 in.	4	ALL
	AN960-10								Washer - Plain No. 10	4	ALL
- 35	189160								Duct Assembly - Carburettor hot air lower LH	1	ALL
		Attaching Parts									
- 36	AN515-8-10								Screw - Round head No. 8-32 x 5/8 in.	1	ALL
	AN960-8								Washer - Plain No. 8	1	ALL
- 37	189169								Clamp - Muff assembly	2	ALL
- 38	189170								Clamp - Muff assembly	2	ALL
		Attaching Parts									
- 39	AN3-5A								Bolt - Aircraft No. 10-32 x 5/8 in.	4	ALL
	AN960-10								Washer - Plain No. 10	4	ALL
	NAS1021A3								Nut - Self locking No. 10-32	4	ALL
- 40	189224								Inlet - Heater muff	2	ALL
- 41	105798-10								Clamp - Heater muff inlet	2	ALL



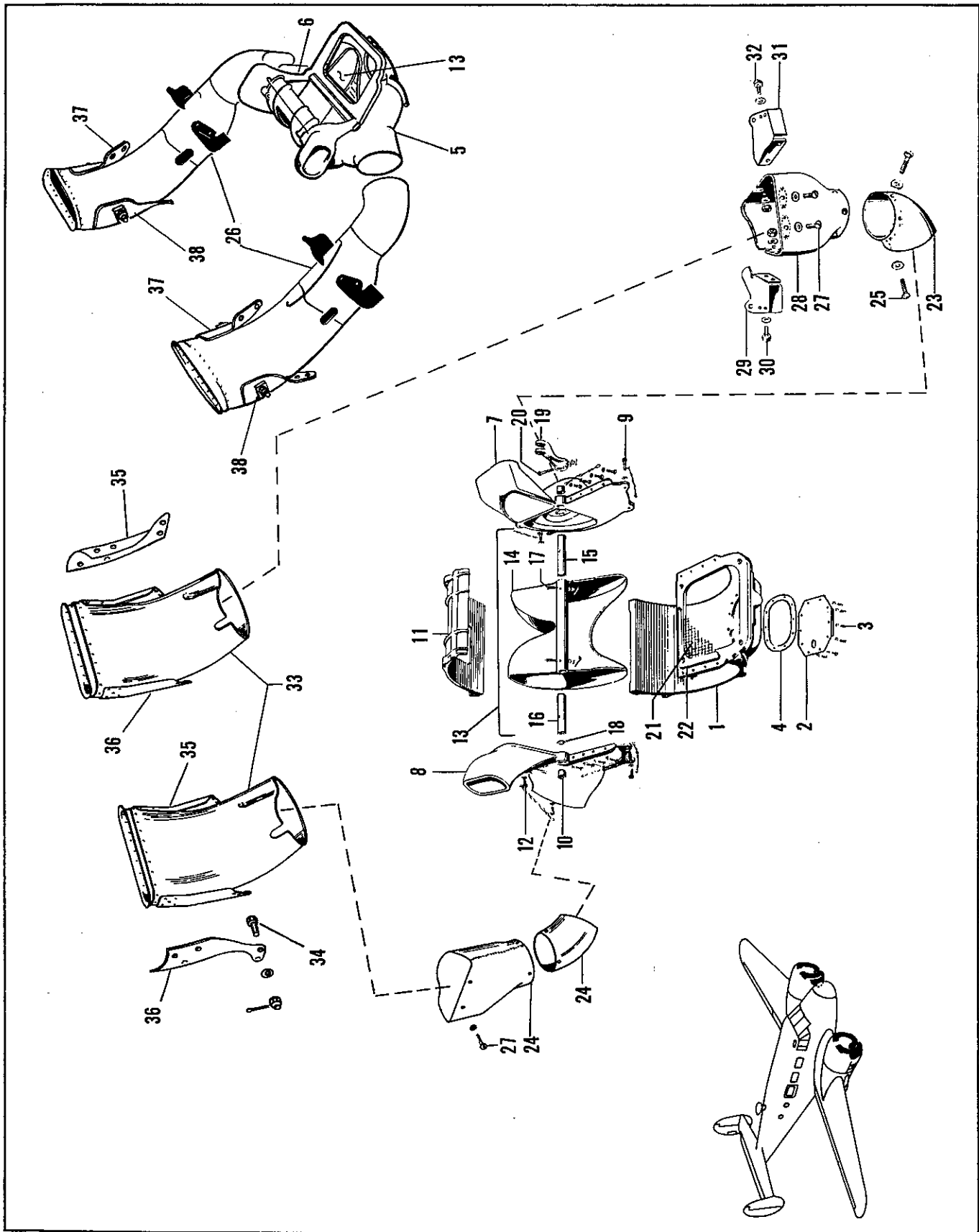


Figure 43. Carburettor Air Scoop and Filter Duct Installation



FIGURE and INDEX	GROUP POWER PLANT							Units Per Ass'y	Usage on Code	
	MAJOR ASSEMBLY		CARBURETTOR AIR SCOOP AND FILTER DUCTS INSTALLATION							
	NUMBER	PART NUMBER	1	2	3	4	5			6
43 -	18S9150	Scoop Assembly - Carburettor air (See Figure 36) OR							Ref	ALL
	18S9150-2	Scoop Assembly - Carburettor air (use for spare part, consists of scoops, valve assembly, screens, gaskets, and attaching parts)							1	ALL
- 1	18S9151	Body Assembly - Carburettor air scoop							1	ALL
- 2	18S9162	Plate - Carburettor air scoop cover							1	ALL
		Attaching Parts								
- 3	AN520-10-5	Screw - Round head No. 10-32 x 5/16							10	ALL
	AN935-10	Washer - Spring lock No. 10							10	ALL
- 4	18S9161	Gasket - Carburettor air scoop cover plate							1	ALL
- 5	18S9152	Side Assembly - Carburettor air scoop LH							1	ALL
- 6	18S9152-1	Side Assembly - Carburettor air scoop RH							1	ALL
- 7	18S9152-2	Side - Carburettor air scoop LH							1	ALL
- 8	18S9152-3	Side - Carburettor air scoop RH							1	ALL
		Attaching Parts								
- 9	AN500A-10-10	Screw - Fillister head No. 10-32 x 5/8 in.							6	ALL
	AN500A-10-7	Screw - Fillister head No. 10-32 x 7/16 in.							8	ALL
	100951-S063- 007-012	Washer - No. 10							14	ALL
	AN500A-10-8	Screw - Fillister head No. 10-32 x 1/2 in.							2	ALL
	AN960-10	Washer - Plain No. 10							2	ALL
	AN905C32	Safety Wire							AR	ALL
- 10	B-88	Bearing - Needle (TOR)							1	ALL
- 11	189238	Support - Carburettor air scoop							1	ALL
		Attaching Parts								
- 12	AN500-10-12	Screw - Fillister head No. 10-32 x 3/4 in.							2	ALL
	AN500-10-10	Screw - Fillister head No. 10-32 x 5/8 in.							2	ALL
	100951-S063- 007-012	Washer - No. 10							4	ALL
- 13	18S9154	Valve Assembly - Carburettor air scoop							1	ALL
- 14	18S9154-1	Valve - Carburettor air scoop							1	ALL
- 15	189155	Shaft - Carburettor air scoop OR							1	ALL
- 16	18S9155	Shaft - Carburettor air scoop OR							1	ALL
	18S9155-COA 32165	Shaft - Carburettor air scoop (use for spare part)							1	ALL
		Attaching Parts								
- 17	189164	Pin - Taper							2	ALL
	AN960-10L	Washer - Plain No. 10							2	ALL
	AN320-3	Nut - Castle shear No. 10-32							2	ALL

FIGURE and INDEX NUMBER	GROUP POWER PLANT							Units Per Ass'y	Usage on Code		
	MAJOR ASSEMBLY		CARBURETTOR AIR SCOOP AND FILTER DUCTS INSTALLATION Cont'd								
	PART NUMBER	1	2	3	4	5	6			7	NOMENCLATURE
43 - 17	AN380-2-2								Pin - Cotter 1/16 x 1/2 in.	2	ALL
- 18	18S9164								Washer - Carburettor air scoop 1/2 in.	2	ALL
- 19	18S9156A								Arm - Carburettor air valve control	1	ALL
	18S9156A-2								Bushing	1	ALL
									Attaching Parts		
- 20	S-73-11								Bolt - Spherical head (make from AN3 bolt)	1	ALL
	AN960-10								Washer - Plain No. 10	1	ALL
	AN310-3								Nut - Castellated No. 10-32	1	ALL
	AN380-2-2								Pin - Cotter 1/16 x 1/2 in.	1	ALL
- 21	6906								Screen - Carburettor air scoop (PW)	1	ALL
- 22	26404								Gasket - Carburettor air scoop (WAC)	1	ALL
	804-189131								Duct Installation - Carburettor air (See Figure 36)	Ref	ALL
- 23	18S9132-2								Elbow - Carburettor air duct LH	1	ALL
- 24	18S9132-1								Elbow - Carburettor air duct RH	1	ALL
									Attaching Parts		
- 25	AN526-8-8								Screw - Truss head No. 8-32 x 1/2 in.	6	ALL
	AN960-8								Washer - Plain No. 8	6	ALL
- 26	804-189140								Duct Assembly - Carburettor air intake	2	ALL
									Attaching Parts		
- 27	AN526-8-8								Screw - Truss head No. 8-32 x 1/2 in.	2	ALL
	AN960-8								Washer - Plain No. 8	2	ALL
- 28	804-189139								Duct - Carburettor air intake	1	ALL
- 29	804-189061								Bracket Assembly - Carburettor air duct RH	1	ALL
									Attaching Parts		
- 30	AN3-4A								Bolt - Aircraft No. 10-32 x 1/2 in.	2	ALL
	AN960-10								Washer - Plain No. 10	4	ALL
	AN365-1032								Nut - Self locking No. 10-32	2	ALL
- 31	804-189062								Bracket Assembly - Carburettor Air duct LH	1	ALL
									Attaching Parts		
- 32	AN3-4A								Bolt - Aircraft No. 10-32 x 1/2 in.	2	ALL
	AN960-10								Washer - Plain No. 10	4	ALL
	AN365-1032								Nut - Self locking No. 1032	2	ALL
- 33	694-189095								Scoop Assembly - Carburettor air intake	2	ALL
	694-189095-600								Scoop Assembly - Carburettor air intake (use for spare part, consists of LH and RH carburettor air intake ducts)	1	ALL
									Attaching Parts		
- 34	AN4-6								Bolt - Aircraft 1/4-28 x 3/4 in.	4	ALL
	AN960-416								Washer - Plain 1/4 in.	4	ALL
	AN310-4								Nut - Castellated 1/4 - 28	4	ALL
	AN380-2-2								Pin - Cotter 1/16 x 1/2 in.	4	ALL

FIGURE and INDEX NUMBER	GROUP POWER PLANT							Units Per Ass'y	Usage on Code			
	MAJOR ASSEMBLY CARBURETTOR AIR SCOOP AND FILTER DUCTS INSTALLATION Cont'd.											
	PART NUMBER	1	2	3	4	5	6			7	NOMENCLATURE	
43 - 35	18S9163								Bracket	1	ALL	
- 36	404-189096								Bracket	1	ALL	
- 37	414-189095-7*								Bracket	1	ALL	
- 38	414-189095-5*								Bracket	1	ALL	
	Attaching Parts											
	414-189095-1*								Spacer	1	ALL	
	AN365-416*								Nut	1	ALL	
	AN916-416*								Washer	2	ALL	
*These parts are used on replacement of brackets 18S9163 and 404-189096 after scoop assembly - 694-189095 has been modified for installation.												

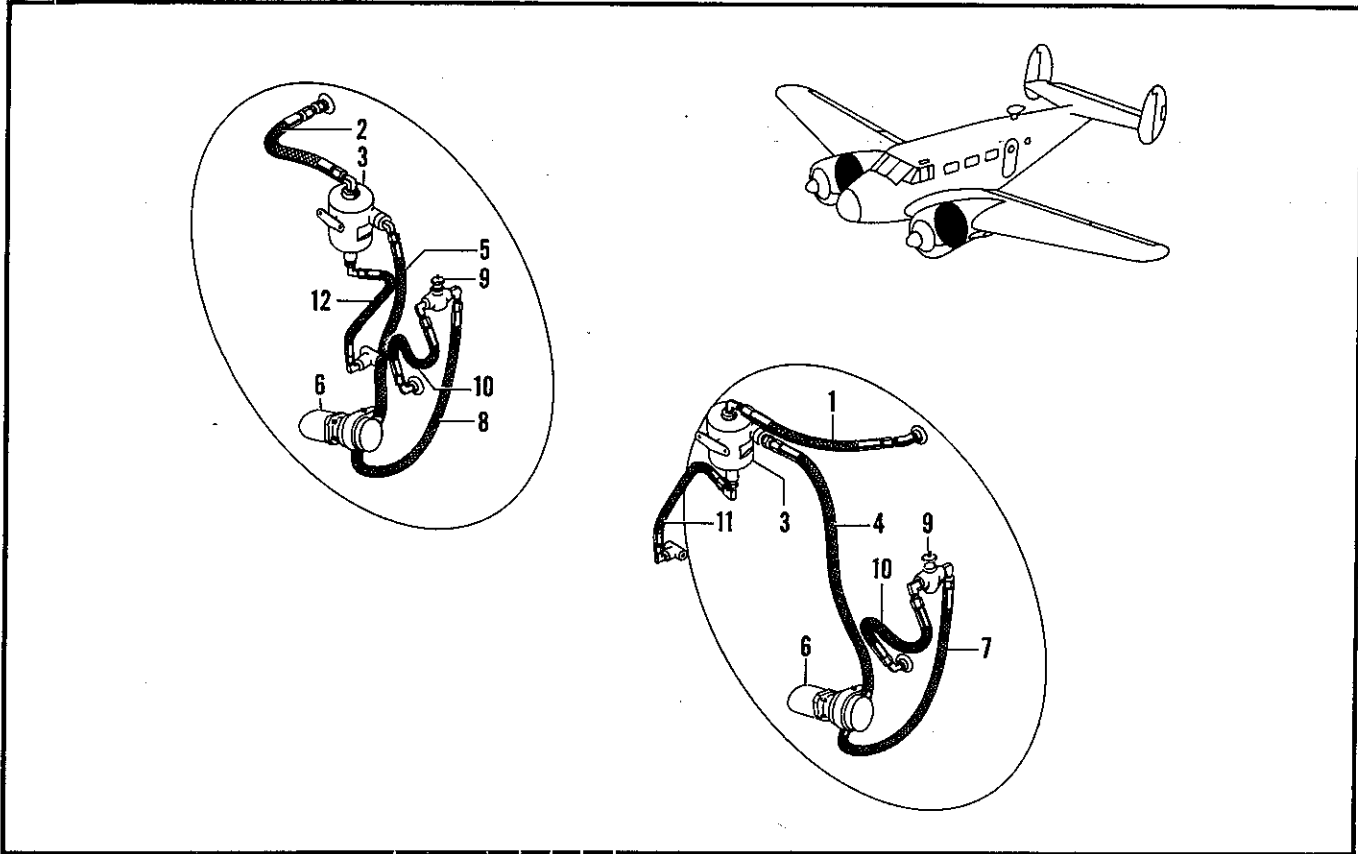


Figure 44 Vacuum System Installation

FIGURE and INDEX NUMBER	GROUP POWER PLANT						Units Per Ass'y	Usage on Code	
	MAJOR ASSEMBLY VACUUM SYSTEM INSTALLATION								
	PART NUMBER	1	2	3	4	5 6 7			NOMENCLATURE
44 -	644-189775						Vacuum System Installation LH (See Figure 1)	Ref	ALL
	644-189775-1						Vacuum System Installation RH (See Figure 1)	Ref	ALL
	AN823-10D						Elbow - 45 degree LH (Firewall)	1	ALL
	AN816-10D						Nipple - RH (Firewall)	1	ALL
- 1	AN6264-10D						Hose Assembly - LH	1	ALL
	-13-1/4								
- 2	AN6264-10D						Hose Assembly - RH	1	ALL
	-14-1/4								
	AN822-10D						Elbow - 90 Degree (1 LH and 1 RH)	2	ALL
- 3	558-1-A/M						Separator - Oil (Type 558) (EC) (Model 1) (Style A) (1 LH and 1 RH)	2	ALL
							OR		
	558-2-A/M						Separator - Oil (Type 558) (EC) (Model 2) (Style A) (1 LH and 1 RH)	2	ALL
								2	ALL
	AN816-10D						Nipple - LH (Oil Separator)	1	ALL
	AN823-10D						Elbow - 45 degree RH (Oil Separator)	1	ALL
- 4	AN6264-10D						Hose Assembly - LH	1	ALL
	-31-1/2								

FIGURE and INDEX	GROUP POWER PLANT							Units Per Ass'y	Usage on Code	
	MAJOR ASSEMBLY VACUUM SYSTEM INSTALLATION Cont'd.									
	NUMBER	PART NUMBER	1	2	3	4	5 6 7			NOMENCLATURE
44 - 5	AN6264-10D-22 AN822-10							Hose Assembly - RH Elbow - 90 degree - Vacuum Pump (1 LH and 1 RH)	1 2	ALL ALL
- 6	AN6111-1							Pump - Vacuum (see Figure 37)	Ref	ALL
- 7	AN6264-10D -17-1/4							Hose Assembly - LH	1	ALL
- 8	AN6264-10D -17-1/4							Hose Assembly - RH	1	ALL
	AN822-10D							Elbow - 90 degree - Valve (1 LH and 1 RH)	2	ALL
- 9	3V-215							Valve - Vacuum relief (BX) (1 LH and 1 RH)	2	ALL
	AN822-10D							Elbow (1 LH and 1 RH)	2	ALL
	AN911-4							Nipple (1 LH and 1 RH)	3	ALL
	AN6119-2*							Valve - Suction Relief (Type B-12)(1 LH and 1RH)	2	ALL
- 10	AN6264-10D -17-1/4							Hose Assembly (1 LH and 1 RH)	2	ALL
	AN823-10D							Elbow - 45 degree (1 LH and 1 RH)	2	ALL
	AN912-3D							Reducer (1 LH and 1 RH)	2	ALL
	AN922-4							Elbow - 90 degree (1 LH and 1 RH)	2	ALL
- 11	AN6264-4-11							Hose Assembly - LH	1	ALL
- 12	AN6264-4 -15-3/4							Hose Assembly - RH	1	ALL
	AN822-4							Elbow - 90 degree (1 LH and 1 RH)	2	ALL
	AN912-6D							Reducer (1 LH and 1 RH)	2	ALL
*Effective RCAF Serials 1462 through 1480										

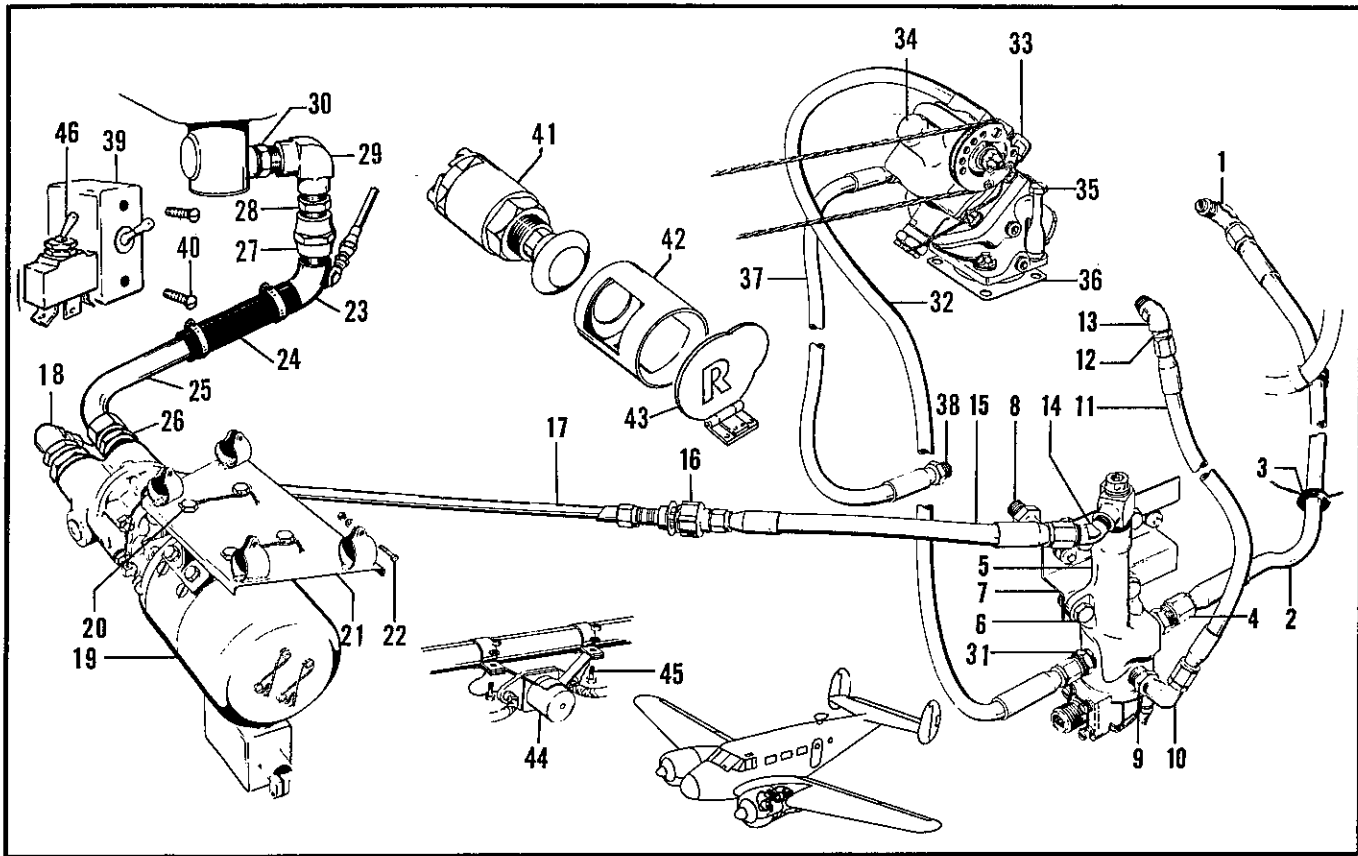


Figure 45. Hydromatic Propeller Installation

FIGURE and INDEX NUMBER	GROUP POWER PLANT		Units Per Ass'y	Usage on Code
	MAJOR ASSEMBLY HYDROMATIC PROPELLER INSTALLATION			
	PART NUMBER	1 2 3 4 5 6 7 NOMENCLATURE		
45 -	644-189010	Propeller Installation - Hydromatic (See Figure 1)	Ref	ALL
- 1	AN822-8	Elbow - 90-degree	1	ALL
- 2	AN6271-8 -26-3/4	Hose Assembly	1	ALL
- 3	AN931-14-20	Grommet	1	ALL
- 4	AN816-8	Nipple	1	ALL
- 5	63921	Adapter Assembly - Valve and cutout switch (HS)	1	ALL
	Attaching Parts			
- 6	AN4-6A	Bolt - Aircraft 1/4-28 x 3/4 in.	4	ALL
	AN960-416	Washer - Plain 1/4 in.	4	ALL
	AN365-428	Nut - Self locking 1/4-28	4	ALL
- 7	404-189008	Bracket - Adapter assembly mounting	1	ALL
	Attaching Parts			
- 8	404-189009	Spacer	1	ALL
	AN960-516	Washer - Plain 5/16 in.	1	ALL
	AN365-524	Nut - Self locking 5/16-24	1	ALL

FIGURE and INDEX NUMBER	POWER PLANT							Units Per Ass'y	Usage on Code		
	MAJOR ASSEMBLY		HYDROMATIC PROPELLER INSTALLATION Cont'd.								
	PART NUMBER	1	2	3	4	5	6			7	NOMENCLATURE
45 - 9	AN912-1D								Bushing	1	ALL
- 10	AN822-4								Elbow - 90 degree	1	ALL
- 11	AN6264-4										
	-10-5/8								Hose Assembly	1	ALL
- 12	AN816-4								Nipple	1	ALL
- 13	189759								Fitting	1	ALL
- 14	AN822-8								Elbow - 90 degree	1	ALL
- 15	AN6271-8-9								Hose Assembly	1	ALL
- 16	155-8								Fitting - (AQ)	1	ALL
- 17	<del>644-189087</del>								<del>Tube Assembly - Pump to firewall LH</del>	1	ALL
* - 17	<del>404-189086</del>								<del>Tube Assembly - Pump to firewall RH</del>	1	ALL
- 18	AN822-8D								Elbow - 90 degree	1	ALL
	AN912-4D								Bushing	1	ALL
	AN912-7								Bushing	1	ALL
- 19	1E521NC								Pump Assembly - Prop feathering RH (Pesco)	1	ALL
	1E521DG								Pump Assembly - Prop feathering RH (Pesco)	1	ALL
	1E521JC								Pump Assembly - Prop feathering RH (Pesco)	1	ALL
	1E521BLB1A								Pump Assembly - Prop feathering RH (Pesco)	1	ALL
	1E521DC								Pump Assembly - Prop feathering LH (Pesco)	1	ALL
	1E521HAC								Pump Assembly - Prop feathering LH (Pesco)	1	ALL
	1E521HC								Pump Assembly - Prop feathering LH (Pesco)	1	ALL
	1E777BLB1C								Pump Assembly - Prop feathering LH (Pesco)	1	ALL
	Attaching Parts										
- 20	404-189074								Stud - Pump mounting	4	ALL
- 21	407-189072								Support Assembly - Pump LH	1	ALL
	407-189072-1								Support Assembly - Pump RH	1	ALL
	Attaching Parts										
- 22	AN4-7A								Bolt - Aircraft 1/4-28 x 7/8 in.	4	ALL
	AN960-416								Washer - Plain 1/4 in.	4	ALL
	AN365-428								Nut - Self locking 1/4-28	4	ALL
- 23	644-189013								Elbow - Oil line fuel inlet	1	ALL
	AN823-4D								Elbow - 45 degree	1	ALL
- 24	106200H-16-14								Hose	1	ALL
	AGS605-1								Clamp	2	ALL
- 25	644-189012-21								Tube Assembly - Oil tank to pump LH & RH	1	D
	644-189012-25								Tube Assembly - Oil tank to pump LH & RH	1	ABC
- 26	AN816-12D								Nipple	1	ALL
- 27	AN910-6D								Coupler	1	ALL
- 28	AN911-6								Nipple	1	ALL
- 29	AN916-6D								Elbow - 90 degree	1	ALL
- 30	AN911-6								Nipple	1	ALL
- 31	AN816-6								Nipple - LH	1	ALL
	AN823-6								Elbow - 45 degree RH	1	ALL
- 32	AN6264-6								Hose Assembly - LH	1	ALL
	-39-1/2										

\* Refer EO 05-45B-6A/17#  
070007

Revised 22 May 62 243

FIGURE and INDEX NUMBER	GROUP POWER PLANT							Units Per Ass'y	Usage on Code		
	MAJOR ASSEMBLY HYDROMATIC PROPELLER INSTALLATION Cont'd.										
	PART NUMBER	1	2	3	4	5	6			7	NOMENCLATURE
45 - 33	AN822-6								Elbow - 90 degree	1	ALL
- 34	4B2-P6*								Governor - Propeller (HS)	1	ALL
	4B2-P8*								Governor - Propeller (HS)	1	ALL
									Attaching Parts		
- 35	51738								Nut - Governor attaching (HS)	4	ALL
	56109								Spacer - LH only (HS)	4	ALL
- 36	189021								Gasket - Governor (HS) 51212	1	ALL
- 37	AN6264-6										
	-24-1/4								Hose Assembly - LH	1	ALL
	AN6264-6										
	-29-3/4								Hose Assembly - RH	1	ALL
- 38	AN816-6								Nipple	1	ALL
	AN816-6								Nipple - LH	1	ALL
	AN822-6								Elbow - 90 degree RH	1	ALL
- 39	AN3160-5								Breaker - Circuit (see Figure 75)	1	ALL
									Attaching Parts		
- 40	AN515-6-6								Screw - Round head No. 6-32 x 3/8 in.	2	ALJ
- 41	54267								Switch - Feathering (HS)	1	ALL
- 42	404-183829								Guard - Switch	1	ALL
- 43	34822-1								Guard - Button propeller feathering LH	1	ALL
	34822-2								Guard - Button propeller feathering RH	1	ALL
- 44	67191-1								Relay - Propeller Feathering (HS) (AN3371-2)	1	ALL
									Attaching Parts		
- 45	AN6-5A								Bolt - Aircraft 3/8-24 x 5/8 in.	2	ALL
	AN960-616								Washer - Plain 3/8 in.	2	ALL
	AN365-624								Nut - Self locking 3/8-24	2	ALL
- 46	AN3021-2								Switch - Summer and Winter feathering dilution (see Figure 75)	1	ALL
									* These parts are interchangeable		



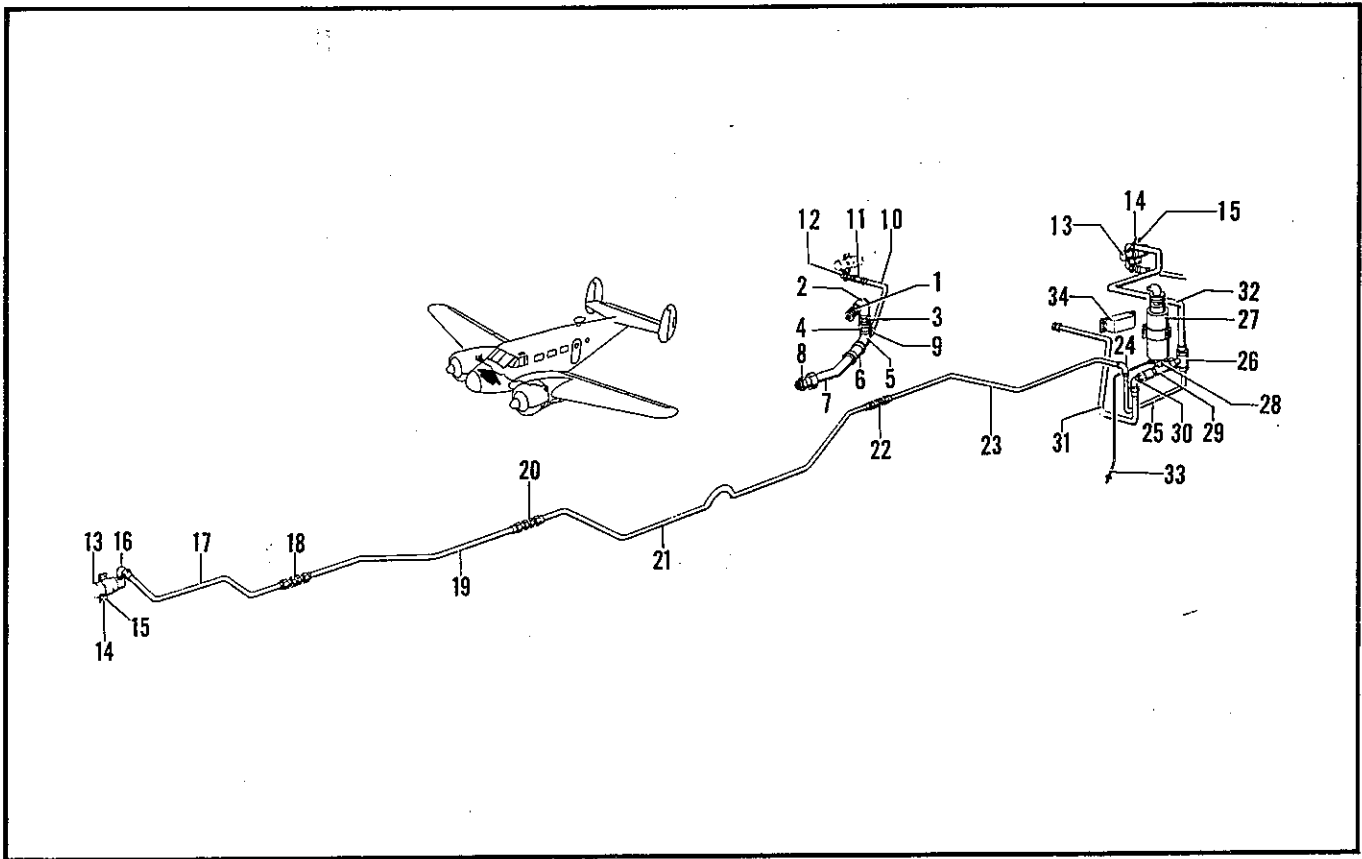


Figure 46 Plessey Pump and Piping Installation

FIGURE and INDEX NUMBER	GROUP POWER PLANT						Units Per Ass'y	Usage on Code	
	MAJOR ASSEMBLY PLESSEY PUMP AND PIPING INSTALLATION								
	PART NUMBER	1	2	3	4	5 6 7			NOMENCLATURE
46 -	5MBA13497	Plessey Pump					Plessey Pump and Piping Installation - Feathering dilution (see Figure 1)	Ref	ALL
- 1	AN911-6*	Nipple						Ref	ALL
- 2	AN916-6*	Elbow - 90 degree						Ref	ALL
- 3	AN911-6*	Nipple						Ref	ALL
- 4	AN910-6D*	Coupler						Ref	ALL
- 5	644-189013*	Elbow - Oil line fuel inlet						Ref	ALL
- 6	106200H-16-14*	Hose						Ref	ALL
	AGS605-1	Clamp						Ref	ALL
- 7	644-189012-21*	Tube Assembly - Oil tank to pump LH and RH						Ref	D
	644-189012-25	Tube Assembly - Oil tank to pump LH and RH						Ref	ABC
- 8	AN816-12D*	Nipple						Ref	ALL
- 9	AN823-4*	Elbow - 45 degree						Ref	ALL
- 10	644-189012-9	Tube Assembly - Dilution kit (1 LH and 1 RH)						2	ALL
	MS-28741-4	Line Assembly - Dilution kit (replaces 644-189012-9)						2	ALL
	-0194							2	ALL
- 11	106200H-4-12	Hose (1 LH and 1 RH)						2	ALL
		*See Figure 45, Items 23 to 30 for detail of piping installation							

FIGURE and INDEX NUMBER	GROUP POWER PLANT							Units Per Ass'y	Usage on Code		
	MAJOR ASSEMBLY		PLESSEY PUMP AND PIPING INSTALLATION Cont'd								
	PART NUMBER	1	2	3	4	5	6			7	NOMENCLATURE
46 - 11	AGS605-0								Clamp (1 LH and 1 RH)	4	ALL
- 12	AN842-4D								Elbow - 90 - degree (1 LH and 1 RH)	2	ALL
- 13	27VA/550 or V1070								Solenoid - (UAC)	2	ALL
	104036-2-0103 -0604								Felt	2	ALL
- 14	18S9741P								Bracket - Solenoid valve oil dilution	2	ALL
	Attaching Parts										
- 15	AN515-8R8								Screw - Round head No. 8-32 x 1/2 in.	8	ALL
	AN960-8								Washer - Plain No. 8	8	ALL
	AN365-832								Nut - Self locking No. 8-32	8	ALL
- 16	AN822-8D								Elbow - 90 - degree	2	ALL
- 17	AN6264-4-42 -1/2								Hose Assembly - Fuel LH	1	ALL
	AN742-D16								Clamp	1	ALL
	Attaching Parts										
	AN742-D10C								Clamp	2	ALL
	AN526-832-8								Screw - Truss head No. 8-32 x 1/2 in.	2	ALL
	AN960-8								Washer - Plain No. 8	2	ALL
	AN365-832								Nut - Self locking No. 8-32	2	ALL
- 18	AN832-4D								Union	1	ALL
	AN924-4D								Nut	1	ALL
	AN960-716								Washer	1	ALL
- 19	2MBA13506								Tube Assembly - Plessey pump	1	ALL
	Attaching Parts										
	AN742-D6C								Clamp	1	ALL
	AN742-D26								Clamp	1	ALL
	AN526-832-8								Screw - Truss head No. 8-32 x 1/2 in.	2	ALL
	AN960-8								Washer - Plain No. 8	2	ALL
	AN365-832								Nut - Self locking No. 8-32	2	ALL
- 20	AN832-4D								Union	1	ALL
	AN924-4								Nut	1	ALL
	AN960-716								Washer	1	ALL
- 21	2MBA13505								Tube Assembly - Plessey pump	1	ALL
	Attaching Parts										
	AN742-D6C								Clamp	4	ALL
	AN526-832-8								Screw - Truss head No. 8-32 x 1/2 in.	4	ALL
	AN960-8								Washer - Plain No. 8	4	ALL
	AN365-832								Nut - Self locking No. 8-32	4	ALL
- 22	AN832-4D								Union	1	ALL
	AN924-4D								Nut	1	ALL
	AN960-716								Washer	1	ALL
- 23	2MBA13504								Tube Assembly - Plessey pump	1	ALL
	AN742-D6C								Clamp	1	ALL

FIGURE and INDEX NUMBER	GROUP POWER PLANT							Units Per Ass'y	Usage on Code		
	MAJOR ASSEMBLY		PLESSEY PUMP AND PIPING INSTALLATION Cont'd								
	PART NUMBER	1	2	3	4	5	6			7	NOMENCLATURE
46 - 24	AN833-4D								Elbow - 90 - degree	1	ALL
	AN924-4								Nut	1	ALL
	AN960-716								Washer	1	ALL
- 25	2MBA13503								Tube Assembly - Plessey pump	1	ALL
	Attaching Parts										
	AN742-D6C								Clamp	1	ALL
	AN526-832-8								Screw - Truss head No. 8-32 x 1/2 in.	1	ALL
	AN960-8								Washer - Plain No. 8	1	ALL
	AN365-832								Nut - Self locking No. 8-32	1	ALL
- 26	AN825-4D								Tee	1	ALL
- 27	5U/5057								Plessey Pump - (Type FP3 Mark 3)	1	ALL
	Attaching Parts										
	AN4-6A								Bolt - Aircraft 1/4-28 x 3/4 in.	4	ALL
- 28	IMBA13481-2								Adapter - Plessey pump outlet	1	ALL
- 29	IMBA13481-3								Adapter - Plessey pump inlet	1	ALL
- 30	AN822-60								Elbow - 90 - degree	1	ALL
- 31	AN6264-6								Hose Assembly	1	ALL
	-38 1/2										
	AN815-6D								Union	1	ALL
	Attaching Parts										
	1MBA6687								Support - Clamp line	1	ALL
	AN742-D12C								Clamp	2	ALL
	AN526-632-8								Screw - Truss head No. 6-32 x 1/2 in.	3	ALL
	AN960-6								Washer - Plain No. 6	3	ALL
	AN365-632								Nut - Self locking No. 6-32	3	ALL
- 32	AN6264-4								Hose Assembly - RH only	1	ALL
	-55-1/2										
	AN742-D20								Clamp	2	ALL
	Attaching Parts										
	AN742-D10C								Clamp	2	ALL
	AN526-832-8								Screw - Truss head No. 8-32 x 1/2 in.	2	ALL
	AN960-8								Washer - Plain No. 8	2	ALL
	AN365-832								Nut - Self locking No. 8-32	2	ALL
- 33	2MBA13502								Tube Assembly - Plessey pump	1	ALL
	1MBA13510								Adapter - Vent line Plessey pump	1	ALL
	AN931-4-7								Grommet	1	ALL
	AN931-14-20								Grommet	1	ALL
- 34	5CB/734								Relay - Plessey pump	1	ALL
	Attaching Parts										
	AN515-1032-10								Screw - Round head No. 10-32 x 5/8 in.	4	ALL
	AN960-10								Washer - Plain No. 10	4	ALL
	AN365-1032								Nut - Self locking No. 10-32	4	ALL
	22500								Terminal Cover	4	ALL

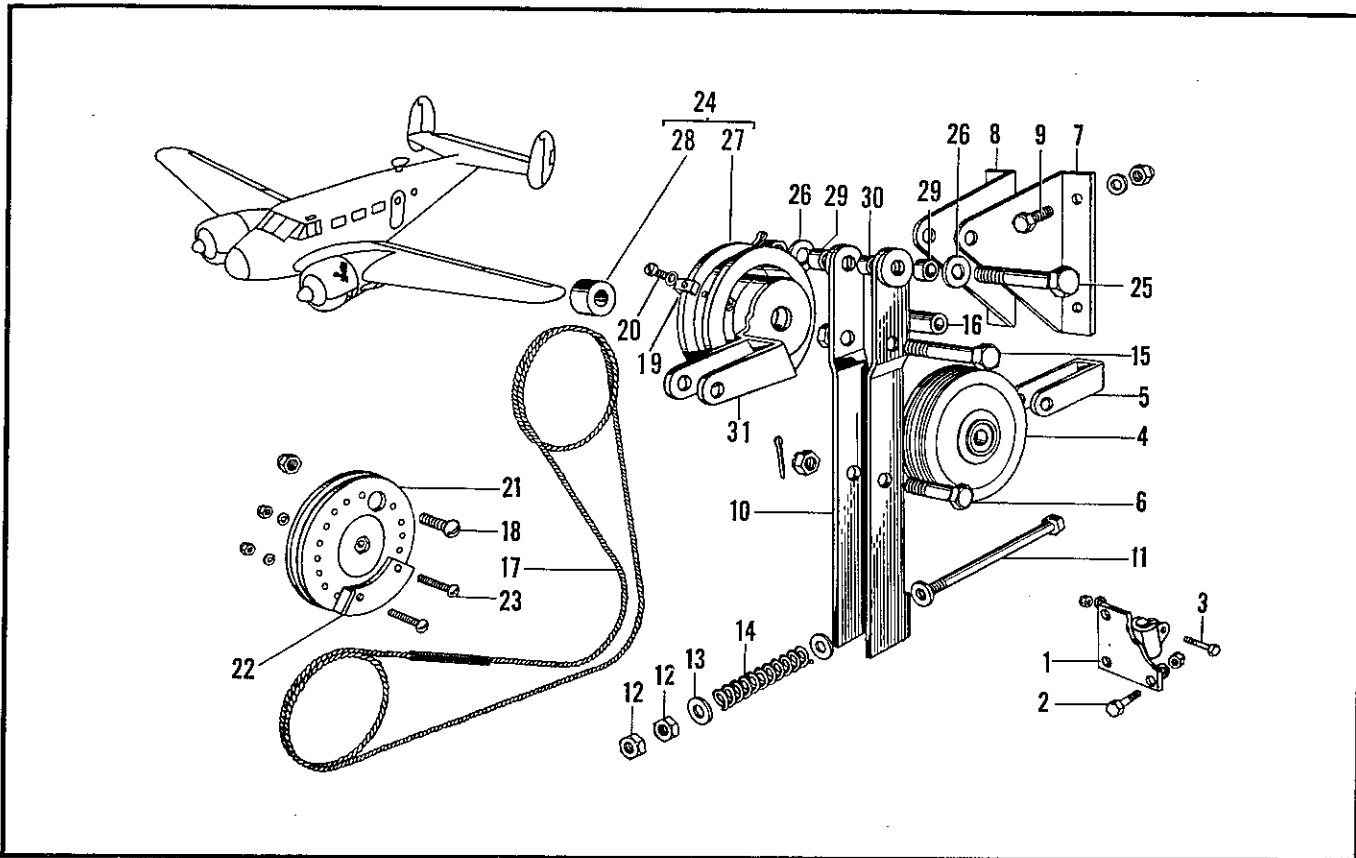


Figure 47. Propeller Control Installation

FIGURE and INDEX NUMBER	GROUP POWER PLANT							Units Per Ass'y	Usage on Code			
	MAJOR ASSEMBLY PROPELLER CONTROL INSTALLATION											
	PART NUMBER	1	2	3	4	5	6			7	NOMENCLATURE	
47 -	74-189020L								Control Installation - Propeller LH (See Figure 1)	Ref	ALL	
	74-189020R								Control Installation - Propeller RH (See Figure 1)	Ref	ALL	
- 1	18S9021								Bracket - Control support	1	ALL	
		Attaching Parts										
- 2	AN3-4A								Bolt - Aircraft No. 10-32 x 1/2 in.	4	ALL	
- 3	AN3-7A								Bolt - Aircraft No. 10-32 x 7/8 in.	1	ALL	
	S-241								Bushing	1	ALL	
	AN960-10								Washer - Plain No. 10	5	ALL	
	AN365-1032								Nut - Self locking No. 10-32	5	ALL	
- 4	AN210-2A								Pulley	1	ALL	
- 5	18S9022-5								Guard - Pulley	1	ALL	
		Attaching Parts										
- 6	AN3-11								Bolt - Aircraft No. 10-32 x 1/8 in.	1	ALL	
	AN310-3								Nut - Castellated No. 10-32	1	ALL	
	AN380-2-2								Pin - Cotter 1/16 x 1/2 in.	1	ALL	
- 7	18S9022-1L								Bracket - Pulley LH	1	ALL	

FIGURE and INDEX NUMBER	GROUP POWER PLANT							Units Per Ass'y	Usage on Code	
	MAJOR ASSEMBLY PROPELLER CONTROL INSTALLATION Cont'd									
	PART NUMBER	1	2	3	4	5	6 7			NOMENCLATURE
47 - 8	18S9022-1R							Bracket - Pulley RH	1	ALL
		Attaching Parts								
- 9	AN3-4A							Bolt - Aircraft No. 10-32 x 1/2 in.	4	ALL
	AN960-10							Washer - Plain No. 10	4	ALL
	AN365-1032							Nut - Self locking No. 10-32	4	ALL
- 10	18S9022-6							Fork Assembly - Propeller control	1	ALL
		Attaching Parts								
- 11	4-189036							Bolt - Propeller control adjusting	1	ALL
- 12	AN316-4R							Nut - Check 1/4-28	2	ALL
- 13	AN940-416							Washer - Plain 1/4 in.	1	ALL
	AN960-416							Washer - Plain 1/4 in.	2	ALL
- 14	S-139							Spring	1	ALL
- 15	AN3-12A							Bolt - Aircraft No. 10-32 x 1-1/4 in.	1	ALL
- 16	100801-X3-0812							Bushing	1	ALL
	AN960-10							Washer - Plain No. 10	1	ALL
	AN365-1032							Nut - Self locking No. 10-32	1	ALL
- 17	74-189026-1							Cable - Propeller control LH	1	ALL
	74-189026-2							Cable - Propeller control RH	1	ALL
		Attaching Parts								
- 18	AN526-8-8							Screw - Truss head No. 8-32 x 1/2 in.	1	ALL
	AN365-832							Nut - Self locking No. 8-32	1	ALL
- 19	18S9022-8							Clip	1	ALL
- 20	AN502-10-8							Screw - Fillister head No. 10-32 x 1/2 in.	1	ALL
- 21	74-189023							Pulley - Control unit	1	ALL
		Attaching Parts								
	AN310-4							Nut - Castellated 1/4-28	1	ALL
	AN380-2-2							Pin - Cotter 1/16 x 1/2 in.	1	ALL
- 22	74-189027							Stop - Pulley	1	ALL
		Attaching Parts								
- 23	AN515-8-10							Screw - Round head No. 8-32 x 5/8 in.	2	ALL
	AN935-8							Washer - Lock No. 8	2	ALL
	AN340-8							Nut - Hexagon No. 8-32	2	ALL
- 24	74-189032							Pulley Assembly - Firewall propeller control	1	ALL
		Attaching Parts								
- 25	AN3-14							Bolt - Aircraft No. 10-32 x 1-1/2 in.	1	ALL
- 26	AN940-316							Washer - Plain No. 10	2	ALL
	AN310-3							Nut - Castellated No. 10-32	1	ALL
	AN380-2-2							Pin - Cotter 1/16 x 1/2 in.	1	ALL
- 27	74-189032-1							Pulley - Firewall propeller control	1	ALL
- 28	D-3							Bearing - (FAF)	1	ALL

FIGURE and INDEX NUMBER	GROUP POWER PLANT							Units Per Ass'y	Usage on Code		
	MAJOR ASSEMBLY PROPELLER CONTROL INSTALLATION Cont'd										
	PART NUMBER	1	2	3	4	5	6			7	NOMENCLATURE
47 - 29	18S9034								Spacer	2	ALL
- 30	102933-S4-0250 -0081								Spacer	1	ALL
- 31	18S9031								Lever - Control	1	ALL

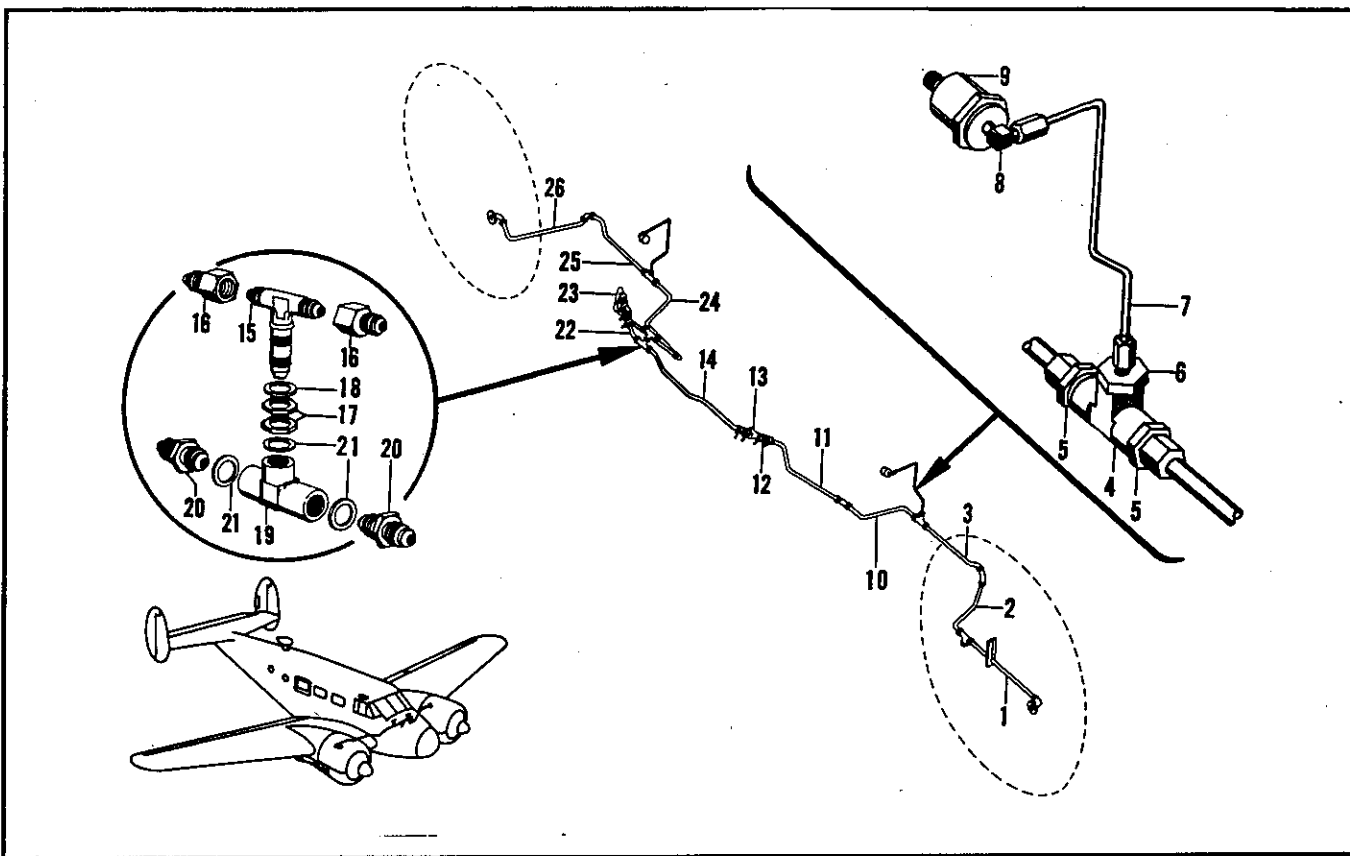


Figure 48. Body Vacuum System Piping Installation

FIGURE and INDEX NUMBER	GROUP POWER PLANT							Units Per Ass'y	Usage on Code		
	MAJOR ASSEMBLY		BODY VACUUM SYSTEM PIPING INSTALLATION								
	PART NUMBER	1	2	3	4	5	6			7	NOMENCLATURE
48 -	644-189770	Piping Installation - Body vacuum system (See Figure 1)							Ref	ALL	
- 1	AN822-10D								Elbow - 90-degree	1	ALL
	407-189670								Tube Assembly - Body vacuum LH	1	ALL
	AN824-10D								Tee	1	ALL
	AN929-10*								Cap	1	ALL
- 2	407-189753								Tube Assembly - Body vacuum LH	1	ALL
	AN837-10D								Elbow	1	ALL
	108492-A1416								Washer	2	ALL
	-116										
	AN924-10D								Nut	1	ALL
- 3	894-189783								Tube Assembly - Body vacuum LH	1	ALL
- 4	AN926-10D								Tee	2	ALL
- 5	AN815-10D								Union	4	ALL
- 6	AN919-13D								Reducer	2	ALL
	AN902-10								Gasket	6	ALL
*Not used when aircraft is equipped with de-icer boots											

FIGURE and INDEX NUMBER	GROUP POWER PLANT							Units Per Ass'y	Usage on Code		
	MAJOR ASSEMBLY BODY VACUUM SYSTEM PIPING INSTALLATION Cont'd										
	PART NUMBER	1	2	3	4	5	6			7	NOMENCLATURE
48 - 7	644-189772								Tube Assembly - Vacuum warning LH	1	ALL
	644-189773								Tube Assembly - Vacuum warning RH	1	ALL
- 8	AN823-4D								Elbow - 45 degree	2	ALL
- 9	3124-1-A								Unit - Vacuum warning (ECP)	2	ALL
- 10	894-189785								Tube Assembly - Body vacuum LH	1	ALL
	AN833-10D								Elbow - 90-degree	1	ALL
	AN960-A1416								Washer - Plain 7/8 in.	2	ALL
	AN924-10D								Nut	1	ALL
- 11	894-189786								Tube Assembly - Body vacuum LH	1	ALL
- 12	106200H-10-15								Hose	4	ALL
	AN748-34								Clamp - Hose	8	ALL
- 13	W-1500 5/8D								Valve - Vacuum check (WTR)	2	ALL
- 14	404-189790								Tube Assembly - Body vacuum	1	ALL
- 15	AN834-10D								Tee	1	ALL
- 16	404-189803								Adapter	1	ALL
- 17	AN924-10D								Nut	2	ALL
- 18	AN960-A1416								Washer - Plain 7/8 in.	1	ALL
- 19	AN926-10D								Tee	1	ALL
- 20	AN815-10D								Union	2	ALL
- 21	AN902-10								Gasket	3	ALL
- 22	894-189787								Tube Assembly - Body vacuum RH	1	ALL
- 23	894-189792								Tube Assembly - Body vacuum RH	1	ALL
	AN833-10D								Elbow - 90-degree	1	ALL
	AN960-A1416								Washer - Plain 7/8 in.	2	ALL
	AN924-10D								Nut	1	ALL
- 24	894-189793								Tube Assembly - Body vacuum RH	1	ALL
- 25	894-189795								Tube Assembly - Body vacuum RH	1	ALL
	AN837-10D								Elbow - 45-degree	1	ALL
	108492-A1416								Washer	2	ALL
	-116										
	AN924-10D								Nut	1	ALL
- 26	407-189671								Tube Assembly - Body vacuum RH	1	ALL
	AN822-10D								Elbow - 90-degree	1	ALL



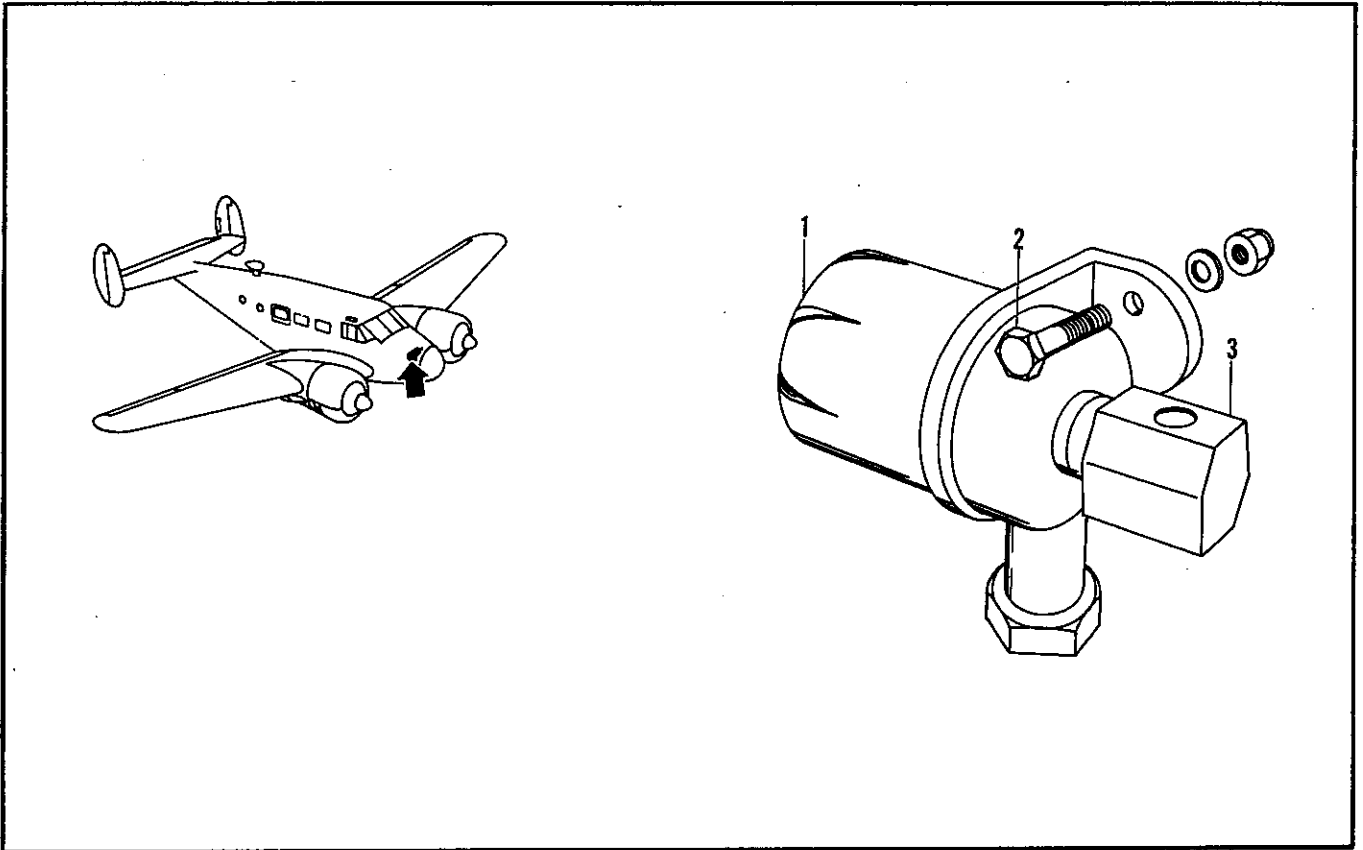


Figure 49. Centralized Air Filter Installation

FIGURE and INDEX NUMBER	GROUP POWER PLANT							Units Per Ass'y	Usage on Code	
	MAJOR ASSEMBLY CENTRALIZED AIR FILTER INSTALLATION									
	PART NUMBER	1	2	3	4	5	6 7			NOMENCLATURE
49 -	644-183890							Filter Installation - Centralized air (See Figure 1)	Ref	ALL
- 1	AN5822-1							Filter - Centralized air	1	ALL
								Attaching Parts		
- 2	AN4-6A							Bolt - Aircraft 1/4-28 x 3/4 in.	2	ALL
	AN960-416L							Washer - Plain 1/4 in.	2	ALL
	AN365-428							Nut - Self locking 1/4-28	2	ALL
- 3	404-183889							Manifold Assembly - Air filter	1	ALL

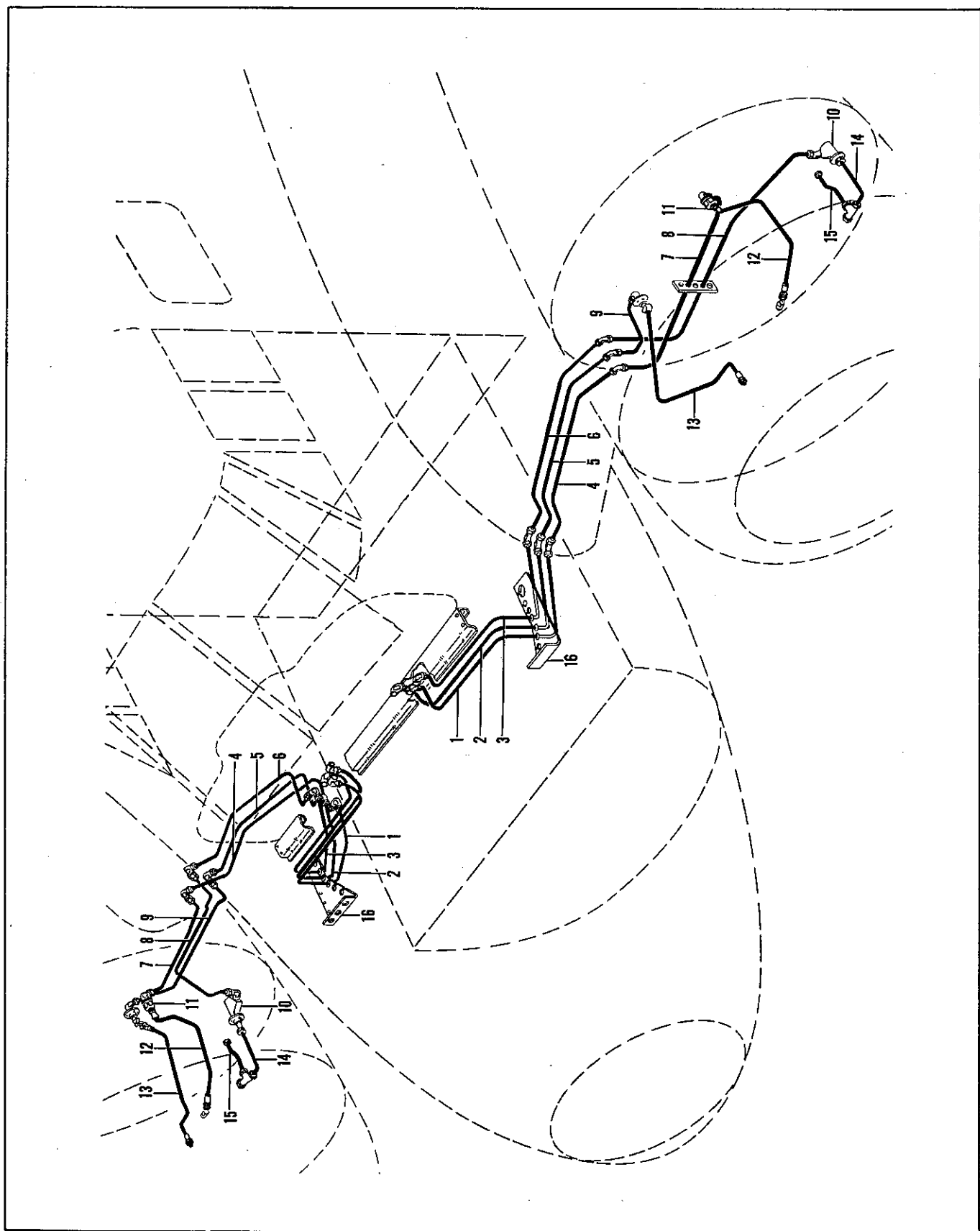


Figure 50. Engine Instrument Piping Installation

FIGURE and INDEX NUMBER	GROUP POWER PLANT							Units Per Ass'y	Usage on Code	
	MAJOR ASSEMBLY		ENGINE INSTRUMENT PIPING INSTALLATION							
	PART NUMBER	1	2	3	4	5	6			7
50 -	644-189710	Piping Installation - Fuselage instrument (See Figure 1)							Ref	ALL
	AN837-4D	Elbow - 45-degree							3	ALL
	AN960-A716	Washer - Plain 7/16 in.							6	ALL
	AN924-4D	Nut							3	ALL
- 1	404-189797	Tube Assembly - Engine oil pressure LH							1	ALL
	404-189714	Tube Assembly - Engine oil pressure RH							1	ALL
- 2	404-189793	Tube Assembly - Engine manifold pressure LH							1	ALL
	404-189798	Tube Assembly - Engine manifold pressure RH							1	ALL
- 3	404-189794	Tube Assembly - Engine fuel pressure LH							1	ALL
	404-189799	Tube Assembly - Engine fuel pressure RH							1	ALL
	AN833-4D	Elbow - 90-degree							3	ALL
	AN960-A716	Washer - Plain 7/16 in.							6	ALL
	AN924-4D	Nut							3	ALL
- 4	407-189691	Tube Assembly - Engine oil pressure LH							1	ALL
	407-189697	Tube Assembly - Engine oil pressure RH							1	ALL
- 5	407-189692	Tube Assembly - Engine manifold pressure LH							1	ALL
	407-189698	Tube Assembly - Engine manifold pressure RH							1	ALL
- 6	407-189693	Tube Assembly - Engine fuel pressure LH							1	ALL
	407-189699	Tube Assembly - Engine fuel pressure RH							1	ALL
	AN837-4D	Elbow - 45-degree							3	ALL
	AN960-A716	Washer - Plain 7/16 in.							6	ALL
	AN924-4	Nut							3	ALL
- 7	644-189712	Tube Assembly - Engine oil pressure LH							1	ALL
	644-189713	Tube Assembly - Engine oil pressure RH							1	ALL
- 8	404-189671	Tube Assembly - Engine fuel pressure LH							1	ALL
	407-189725	Tube Assembly - Engine fuel pressure RH							1	ALL
- 9	407-189695	Tube Assembly - Engine manifold pressure LH							1	ALL
	407-189726	Tube Assembly - Engine manifold pressure RH							1	ALL
	AN822-4D	Elbow - 90-degree							2	ALL
- 10	AN4077-1	Fitting - Oil dilution system (See Figure 59)							Ref	ALL
	644-189780	Piping Installation - Engine section instrument LH (See Figure 1)							Ref	ALL
	644-189780-1	Piping Installation - Engine section instrument RH (See Figure 1)							Ref	ALL
- 11	155-4	Coupling - Quick disconnect oil (AQ)							1	ALL
	Attaching Parts									
	AN520-10-8	Screw - Round head No. 10-32 x 1/2 in.							6	ALL
	AN960-10	Washer - Plain No. 10							6	ALL
	AN365-1032	Nut - Self locking No. 10-32							6	ALL
- 12	AN6264-4-15	Hose Assembly - Engine oil pressure LH							1	ALL
	AN6264-4-16	Hose Assembly - Engine oil pressure RH							1	ABC
	- 3/4									
	AN6264-4-20	Hose Assembly - Engine oil pressure RH							1	D
	- 1/4									
	644-189781	Fitting Assembly - Engine oil pressure							1	ALL

FIGURE and INDEX NUMBER	GROUP POWER PLANT							Units Per Ass'y	Usage on Code	
	ENGINE INSTRUMENT PIPING INSTALLATION Cont'd									
	PART NUMBER	1	2	3	4	5	6 7			NOMENCLATURE
50 - 12	189759							Fitting - 45-degree	1	ALL
	AN823-4							Elbow - 45-degree	1	ALL
- 13	AN6264-4-18-3/4							Hose Assembly - Engine manifold pressure	1	ALL
	AN816-4							Nipple	1	ALL
	AN823-4							Elbow - 45-degree	1	ALL
- 14	AN6264-4-12-1/2							Hose Assembly - Engine fuel pressure	1	ALL
	AN826-4							Tee	1	ALL
- 15	AN6264-4-10-5/8							Hose Assembly - Fuel pressure warning system	1	ALL
	AN823-4							Elbow - 45-degree	1	ALL
- 16	2MBA13512							Support - Instrument	1	D



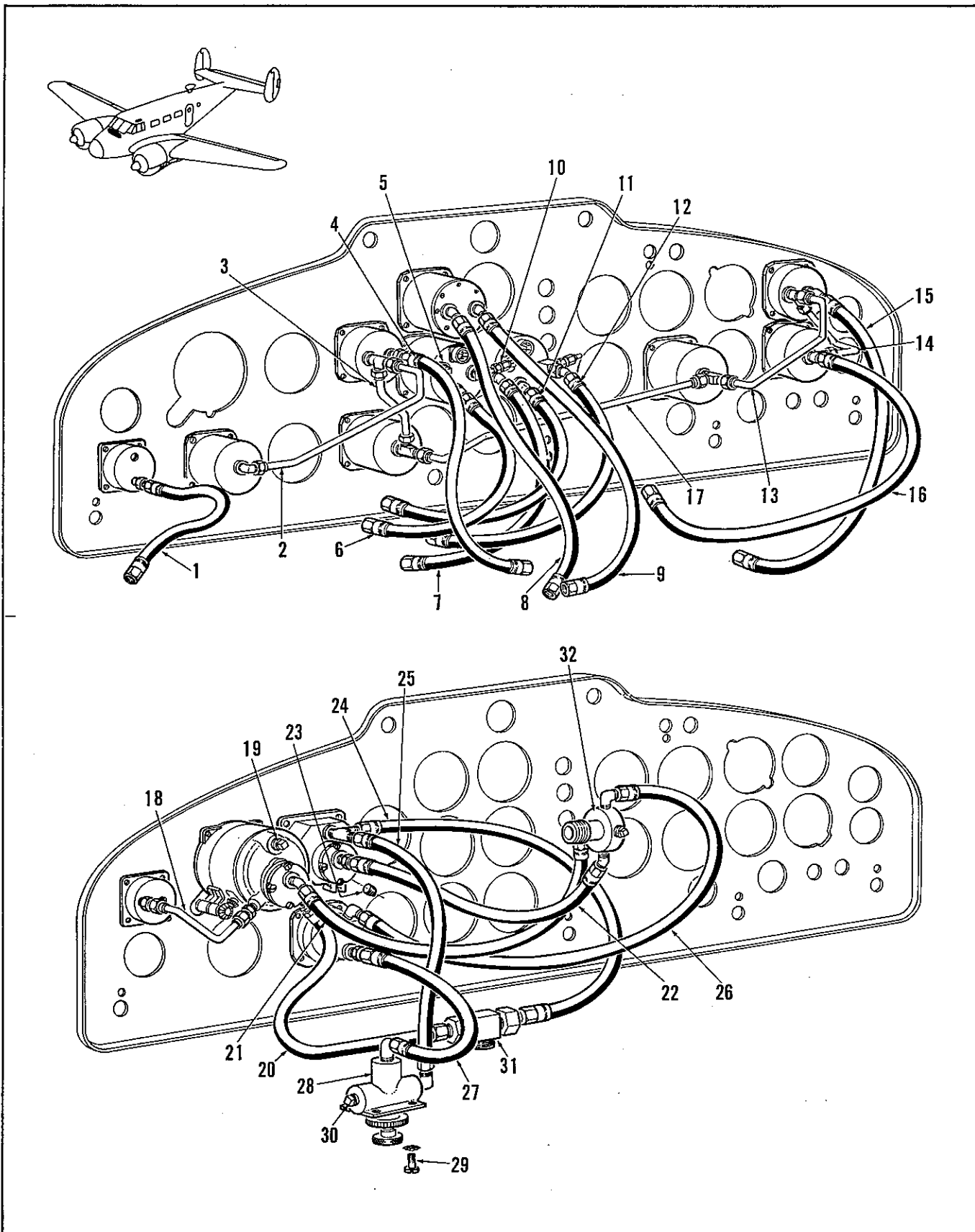


Figure 51. Instrument Piping Installation

FIGURE and INDEX NUMBER	GROUP POWER PLANT						Units Per Ass'y	Usage on Code	
	MAJOR ASSEMBLY INSTRUMENT PIPING INSTALLATION								
	PART NUMBER	1	2	3	4	5 6 7			NOMENCLATURE
51 -	644-183800	Piping Installation - Instruments (see Figure 1)						Ref	ALL
- 1	AN6270-4-12	Hose Assembly						1	ALL
	AN816-4D	Nipple - De-icer pressure gauge						1	ALL
- 2	644-183780-20	Pipe Assembly - On replacement use AN6270-4 -14-1/2 flex hose						1	ALL
	AN823-4D	Elbow - 45 degree - Rate of climb indicator static RH						1	ALL
- 3	644-183780-16	Pipe Assembly - On replacement use AN6270- 4-12 flex hose						1	ALL
	AN826-4D	Tee - Airspeed indicator - static RH						1	ALL
- 4	AN6270-4-19	Hose Assembly						1	ALL
	AN816-4D	Nipple - Airspeed indicator - static RH						1	ALL
- 5	AN913-4D	Plug - (Shipping plug only)						1	ALL
- 6	AN6270-4-15	Hose Assembly						1	ALL
	AN823-4D	Elbow - 45 degree - Fuel pressure gauge - RH						1	ALL
- 7	AN6270-4-16	Hose Assembly						1	ALL
	AN823-4D	Elbow - 45 degree						1	ALL
	AN5765-3B	Gauge Fitting Assembly - Oil pressure gauge - RH						1	ALL
	AN5832-2	Filler						1	ALL
	AN929-2D	Cap						1	ALL
- 8	AN6270-4-19	Hose Assembly						1	ALL
	AN823-4D	Elbow - 45 degree - Manifold gauge - pressure - RH						1	ALL
- 9	AN6270-4-19	Hose Assembly						1	ALL
	AN823-4D	Elbow - 45 degree - Manifold gauge - pressure - LH						1	ALL
- 10	AN913-4D	Plug - (Shipping plug only)						1	ALL
- 11	AN6270-4-15	Hose Assembly						1	ALL
	AN823-4D	Elbow - 45 degree - Fuel pressure gauge LH						1	ALL
- 12	AN6270-4-16	Hose Assembly						1	ALL
	AN823-4D	Elbow - 45 degree						1	ALL
	AN5765-3B	Gauge Fitting Assembly - Oil pressure gauge LH						1	ALL
	AN5832-2	Filler						1	ALL
	AN929-2D	Cap						1	ALL
- 13	644-183780-8	Pipe Assembly - On replacement use AN6270 -4-13 flex hose						1	ALL
	AN826-4D	Tee - Rate of climb indicator						1	ALL
- 14	644-183780-4	Pipe Assembly - On replacement use AN6270 -4-9 flex hose						1	ALL
	AN826-4D	Tee - Airspeed indicator - static LH						1	ALL
- 15	AN6270-4-15	Hose Assembly						1	ALL
	AN823-4D	Elbow - 45 degree - Airspeed indicator - static LH						1	ALL
- 16	AN6270-4-12	Hose Assembly						1	ALL
	AN826-4D	Tee - Altimeter - static LH						1	ALL
- 17	644-183780-12	Pipe Assembly - On replacement use AN6270 -4-16 flex hose						1	ALL

FIGURE and INDEX NUMBER	GROUP POWER PLANT							Units Per Ass'y	Usage on Code			
	MAJOR ASSEMBLY INSTRUMENT PIPING INSTALLATION Cont'd.											
	PART NUMBER	1	2	3	4	5	6			7	NOMENCLATURE	
51 - 17	AN826-4D								Tee - Altimeter - static RH	1	ALL	
- 18	644-183780-24								Pipe Assembly - On replacement use AN6270 -4-8 flex hose	1	ALL	
	AN816-4D								Nipple - Suction gauge	1	ALL	
	AN816-4-4D								Nipple - Gyro horizon indicator	1	ALL	
- 19	AN913-4D								Plug	1	ALL	
- 20	AN6270-6-16								Hose Assembly	1	ALL	
	AN822-6D								Nipple - 90 degree - Gyro horizon indicator	1	ALL	
- 21	AN6270-6-20								Hose Assembly	1	ALL	
	AN823-6D								Elbow - 45 degree - Gyro horizon indicator	1	ALL	
	AN822-4-4D								Elbow - 90 degree - Manifold - Filter	1	ALL	
- 22	AN6270-6-16								Hose Assembly	1	ALL	
	AN816-6D								Nipple - Directional gyro indicator	1	ALL	
	AN823-6D								Elbow - 45 degree - Manifold Filter	1	ALL	
- 23	AN913-4D								Plug - (Directional indicator)	2	ALL	
- 24	AN6270-6-16								Hose Assembly	1	ALL	
	AN826-6D								Tee - Directional gyro indicator	1	ALL	
- 25	AN6270-6-16								Hose Assembly	1	ALL	
	AN822-6D								Elbow - 90 degree - Valve	1	ALL	
- 26	AN6270-4-24								Hose Assembly	1	ALL	
	AN822-4D								Elbow - 90 degree - Turn and bank indicator	1	ALL	
	AN822-6D								Elbow - 90 degree - Manifold - Filter	1	ALL	
- 27	<del>AN6270-4-12</del>								<del>Hose Assembly</del>	1	ALL	
	AN816-4D								Nipple - Turn and bank indicator	1	ALL	
	AN922-4D								Elbow - 90 degree - Valve	1	ALL	
- 28	AN5829-2								Valve Assembly	1	ALL	
	Attaching Parts											
- 29	AN515-8-R4								Screw	4	ALL	
	AN936-B6								Washer	4	ALL	
- 30	AN913-4D								Plug	1	ALL	
- 31	AN834-10D								Tee - Vacuum supply	1	ALL	
	404-189803								Adapter	2	ALL	
- 32	404-183889								Manifold - Filter	1	ALL	
	AN913-4D								Plug	1	ALL	
	* LAW EO 05-45B-6A/44											
	OCT 07 143											





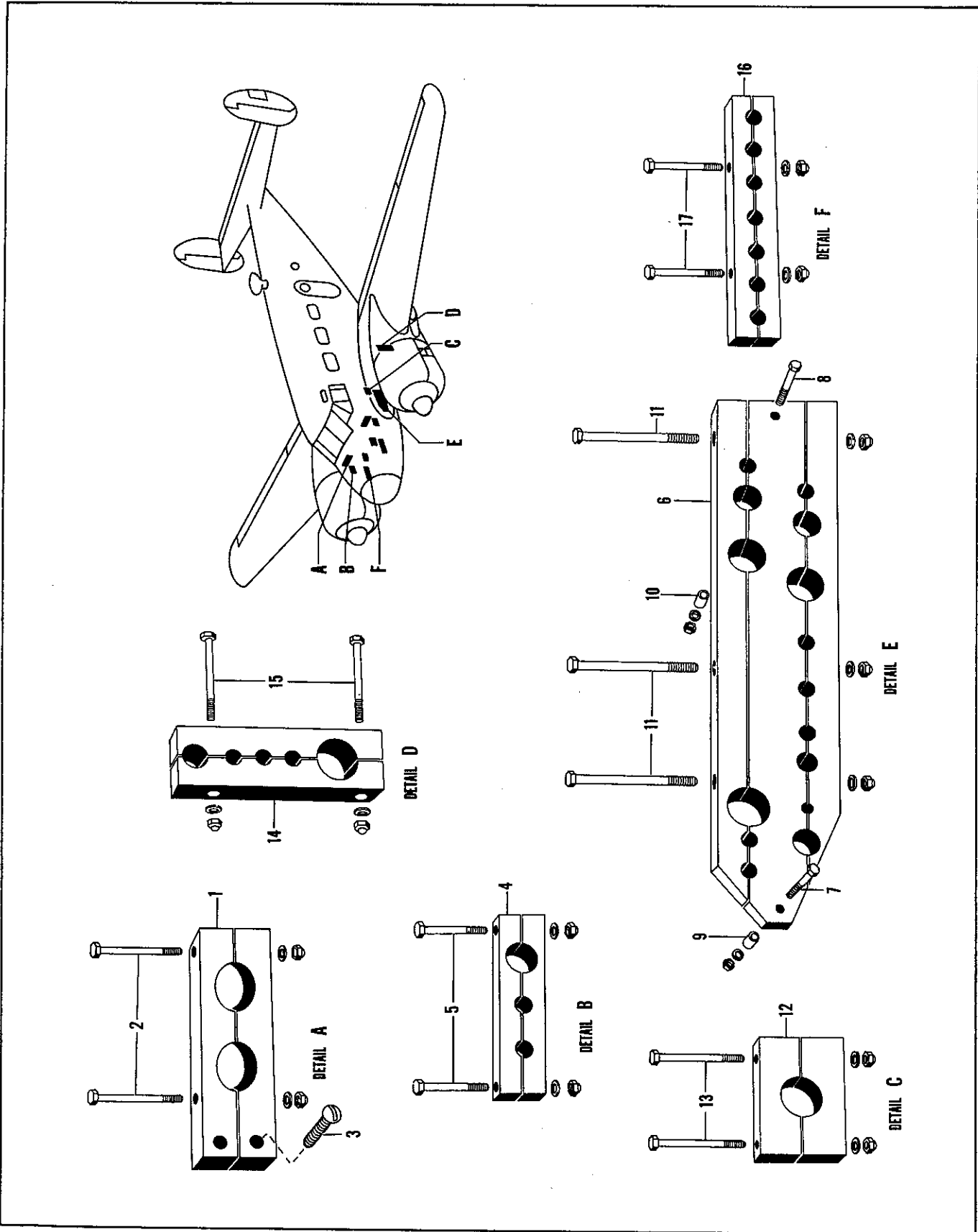


Figure 52. Fuselage Piping Supports Installation

FIGURE and INDEX NUMBER	GROUP POWER PLANT							Units Per Ass'y	Usage on Code	
	MAJOR ASSEMBLY PIPING SUPPORTS INSTALLATION									
	PART NUMBER	1	2	3	4	5	6 7			NOMENCLATURE
52 -	404-189694	Supports Installation - Fuselage piping (See Figure 1)							Ref	ALL
- 1	407-189710	Block Assembly - Piping support							2	ALL
	Attaching Parts									
- 2	AN3-15A	Bolt - Aircraft No. 10-32 x 1-5/8 in.							2	ALL
	AN960-10	Washer - Plain No. 10							4	ALL
	AN365-1032	Nut - Self locking No. 10-32							2	ALL
- 3	AN515-8-16	Screw - Round head No. 8-32 x 1 in.							1	ALL
	AN960-8	Washer - Plain No. 8							1	ALL
	AN365-832	Nut - Self locking No. 8-32							1	ALL
- 4	407-189704	Block Assembly - Piping support							4	ALL
	Attaching Parts									
- 5	AN3-11A	Bolt - Aircraft No. 10-32 x 1-1/8 in.							2	ALL
	AN960-10	Washer - Plain No. 10							4	ALL
	AN365-1032	Nut - Self locking No. 10-32							2	ALL
- 6	407-189706	Block Assembly - Piping support LH							1	ALL
	407-189706-1	Block Assembly - Piping support RH							1	ALL
	Attaching Parts									
- 7	AN3-13A	Bolt - Aircraft No. 10-32 x 1-3/8 in.							1	ALL
- 8	AN3-11A	Bolt - Aircraft No. 10-32 x 1-1/8 in.							1	ALL
- 9	100696-D12-07	Spacer							1	ALL
	-014									
- 10	100696-D12-07	Spacer							1	ALL
	-007									
- 11	AN3-24A	Bolt - Aircraft No. 10-32 x 2-1/2 in.							3	ALL
	AN960-10L	Washer - Plain No. 10							5	ALL
	AN365-1032	Nut - Self locking No. 10-32							5	ALL
- 12	407-189705	Block Assembly - Piping support							1	ALL
	Attaching Parts									
- 13	AN3-20A	Bolt - Aircraft No. 10-32 x 2 in.							2	ALL
	AN960-10	Washer - Plain No. 10							4	ALL
	AN365-1032	Nut - Self locking No. 10-32							2	ALL
- 14	407-189709	Block Assembly - Piping support							1	ALL
	Attaching Parts									
- 15	AN3-14A	Bolt - Aircraft No. 10-32 x 1-1/2 in.							2	ALL
	AN960-10	Washer - Plain No. 10							4	ALL
	AN365-1032	Nut - Self locking No. 10-32							2	ALL
- 16	404-189597	Block Assembly - Piping support							2	ALL
	Attaching Parts									
- 17	AN3-11A	Bolt - Aircraft No. 10-32 x 1-1/8 in.							2	ALL
	AN960-10	Washer - Plain No. 10							2	ALL
	AN365-1032	Nut - Self locking No. 10-32							2	ALL

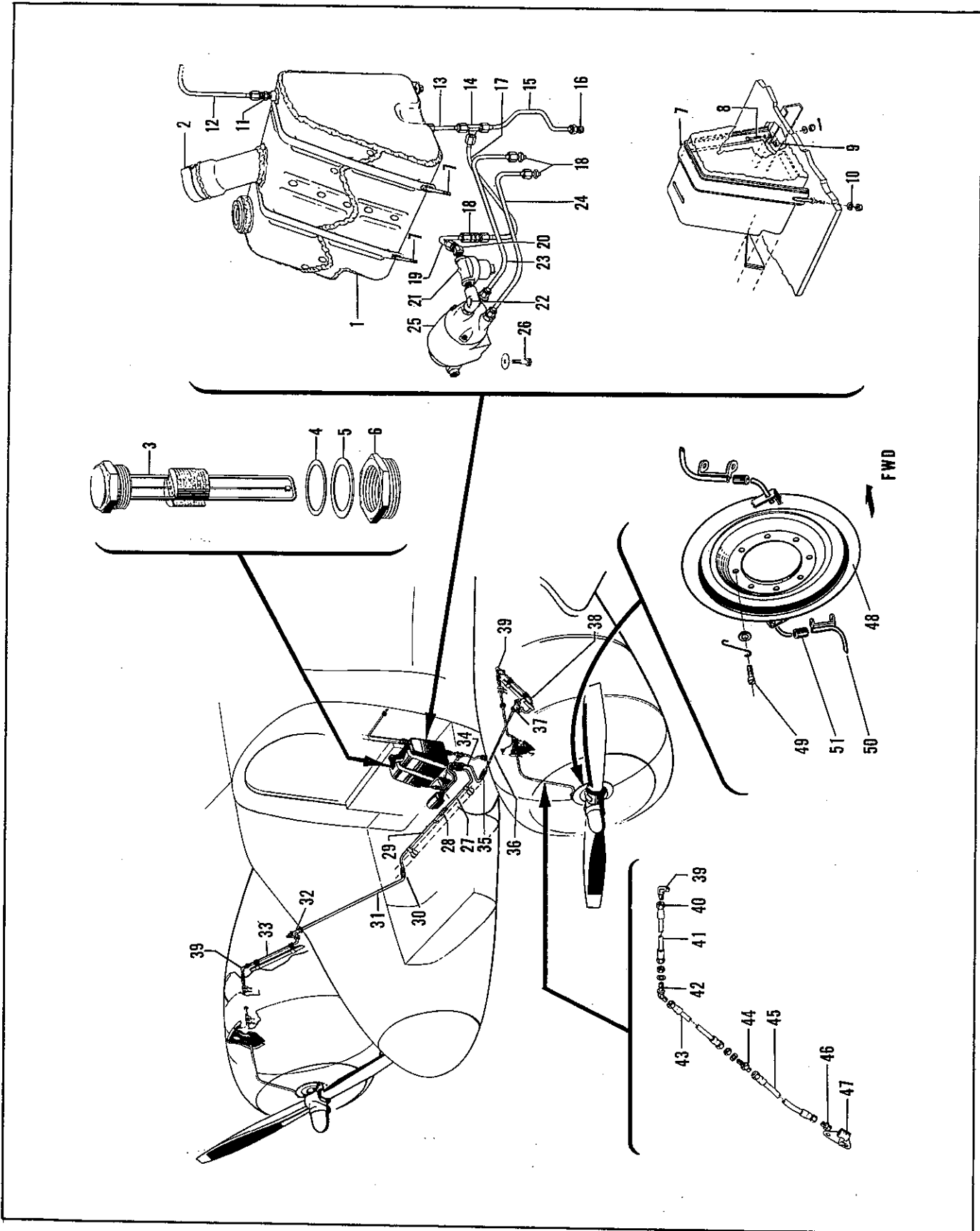


Figure 53. Anti-Icer Piping Installation

FIGURE and INDEX NUMBER	GROUP POWER PLANT							Units Per Ass'y	Usage on Code	
	MAJOR ASSEMBLY		PROPELLER ANTI-ICER PIPING INSTALLATION Cont'd.							
	PART NUMBER	1	2	3	4	5	6			7
53 -	644-189680	Piping Installation - Propeller anti-icer (see Figure 1)							Ref	ALL
	644-189646	Tank Installation - Anti-icer							1	ALL
		OR								
	189686-600	Tank Installation - Anti-icer (use for spare part)							1	ALL
- 1	189686	Tank Assembly - Anti-icer							1	ALL
- 2	I189712	Cap Assembly - Anti-icer tank							1	ALL
- 3	189677	Gauge Assembly - Anti-icer tank							1	ALL
- 4	I189694	Gasket - Anti-icer gauge assembly							1	ALL
- 5	189685	Gasket - Anti-icer gauge assembly							1	ALL
- 6	189680	Adapter - Anti-icer gauge assembly							1	ALL
- 7	I189687	Strap - Tank mounting							2	ALL
		Attaching Parts								
- 8	AN3-10A	Bolt - Aircraft No. 10-32 x 5/8 in.							2	ALL
- 9	100801-D3-0562	Bushings							2	ALL
	AN960-10	Washer - Plain No. 10							2	ALL
- 10	I189688 3	Spacer							2	ALL
	AN970-3	Washer - Wood No. 10							2	ALL
	AN365-1032	Nut - Self locking No. 10-32							4	ALL
- 11	AN816-4D	Nipple							1	ALL
- 12	644-189647-2	Tube Assembly - Tank vent							1	ALL
	AN816-4	Nipple							1	ALL
- 13	644-189647-18	Tube Assembly - Pump supply							1	ALL
- 14	AN824-4D	Tee							1	ALL
- 15	644-189647-26	Tube Assembly - Tank drain							1	ALL
	AN816-4D	Nipple							1	ALL
- 16	I189690	Flange							1	ALL
	AN913-1	Plug - Drain							1	ALL
- 17	644-189647-22	Tube Assembly - Pump supply							1	ALL
- 18	AN832-4D	Union							3	ALL
	100951-S031	Washer							3	ALL
	-016-100	Washer							3	ALL
- 19	644-189647-14	Tube Assembly - Pump supply							1	ALL
		OR								
	2MBA44214	Tube Assembly - Pump supply							1	ALL
- 20	AN823-4D	Elbow - 45 degree							1	ALL
- 21	A8989-1	Strainer - (AP)							1	ALL
	AN816-4D	Nipple							1	ALL
- 22	AN927-4D	Elbow - 90 degree							1	ALL
	AN815-4D	Union							3	ALL
	AN902-4	Gasket							5	ALL
- 23	644-189647-6	Tube Assembly - Anti-icer RH							1	ALL
- 24	644-189647-10	Tube Assembly - Anti-icer LH							1	A.I.
- 25	AN6100-1	Pump Assembly - Anti-icer							1	ALL
		Attaching Parts								
- 26	AN74-A7	Bolt - Aircraft No. 1/4-20 x 29/32 in.							4	ALL

FIGURE and INDEX NUMBER	GROUP POWER PLANT							Units Per Ass'y	Usage on Code	
	MAJOR ASSEMBLY			PROPELLER ANTI-ICER PIPING INSTALLATION Cont'd.						
	PART NUMBER	1	2	3	4	5	6 7			NOMENCLATURE
53 - 26	100951-S063									
	-008-030							Washer	4	ALL
- 27	644-189648-14							Tube Assembly - Anti-icer RH	1	ALL
								Attaching Parts		
	84-189693							Bracket Assembly	1	ALL
	AN3-7							Bolt	1	ALL
	AN310-3							Nut	1	ALL
	AN380-2-2							Pin	1	ALL
	AN742D6C							Clamp	1	ALL
	AN515-8-10							Screw	1	ALL
	AN960-8							Washer	1	ALL
	AN365-832							Nut	1	ALL
- 28	AN815-4D							Union	1	ALL
- 29	644-189648-18							Tube Assembly RH	1	ALL
								Attaching Parts		
	84-189693							Bracket Assembly	1	ALL
	AN3-7							Bolt	1	ALL
	AN310-3							Nut	1	ALL
	AN380-2-2							Pin	1	ALL
	AN742D6C							Clamp	2	ALL
	AN515-8-10							Screw	1	ALL
	AN960-8							Washer	1	ALL
	AN365-832							Nut	1	ALL
- 30	AN515-4D							Union	1	ALL
- 31	644-189648-22							Tube Assembly RH	1	ALL
- 32	794-189657							Valve Assembly	1	ALL
- 33	644-189648-34							Tube Assembly RH	1	ALL
								Attaching Parts		
	AN742D16							Clamp	2	ALL
	AN742D6D							Clamp	2	ALL
	AN515-8-8							Screw	2	ALL
	AN960-8							Washer	2	ALL
	AN365-832							Nut	2	ALL
- 34	644-189648-10							Tube Assembly - Anti-icer LH	1	ALL
- 35	AN815-4D							Union	1	ALL
- 36	644-189648-6							Tube Assembly - Anti-icer LH	1	ALL
- 37	794-189657							Valve Assembly	1	ALL
- 38	644-189648-30							Tube Assembly - Anti-icer LH	1	ALL
								Attaching Parts		
	AN742D16							Clamp	2	ALL
	AN742D16C							Clamp	2	ALL
	AN515-8-8							Screw	2	ALL
	AN960-8							Washer	2	ALL
	AN365-832							Nut	2	ALL

FIGURE and INDEX NUMBER	GROUP POWER PLANT							Units Per Ass'y	Usage on Code			
	MAJOR ASSEMBLY			PROPELLER ANTI-ICING PIPING INSTALLATION Cont'd.								
	PART NUMBER	1	2	3	4	5	6			7	NOMENCLATURE	
53 - 39	AN822-4D								Elbow - 90 degree (1 LH and 1 RH engine)	2	ALL	
- 40	AN816-4								Nipple (1 LH and 1 RH engine)	2	ALL	
- 41	AN6264-4-12								Hose Assembly (1 LH and 1 RH engine)	2	ALL	
- 42	AN837-4								Elbow - 45 degree (1 LH and 1 RH engine)	2	ALL	
	AN960-716								Washer - Plain 7/16 x .064 (1 LH and 1 RH engine)	2	ALL	
	AN924-4								Nut - Castellated 7/16-20 (1 LH and 1 RH engine)	2	ALL	
- 43	AN6264-4-12								Hose Assembly (1 LH and 1 RH engine)	2	ALL	
- 44	AN832-4								Union (1 LH and 1 RH engine)	2	ALL	
	AN960-716								Washer (1 LH and 1 RH engine)	2	ALL	
	AN924-4								Nut (1 LH and 1 RH engine)	2	ALL	
- 45	AN6264-4- 26-1/4								Hose Assembly (1 LH and 1 RH engine)	2	ALL	
		Attaching Parts										
	AN742D16								Clamp	1	ALL	
	AN742D6C								Clamp	1	ALL	
	AN515-8-8								Screw	1	ALL	
	AN960-8								Washer	1	ALL	
	AN365-832								Nut	1	ALL	
	644-189615								Clip	1	ALL	
- 46	AN816-4								Union	1	ALL	
- 47	644-189613-10								Nozzle Assembly - Anti-icer LH	1	ALL	
	644-189613-11								Nozzle Assembly - Anti-icer RH	1	ALL	
- 48	644-189656*								Ring Assembly - Anti-icer slinger (1 LH and 1 RH propeller)	2	ALL	
	70352**								Ring Assembly - Anti-icer slinger (HS)(1 LH and 1 RH propeller)	2	ALL	
		Attaching Parts										
- 49	AN502-416-6								Screw	8	ALL	
	AN960-416								Washer	8	ALL	
	AN995NC40-5								Wire	4	ALL	
- 50	644-189657*								Bracket and Nozzle Assembly - Slinger ring (2 per assembly)	4	ALL	
	60153**								Bracket and Nozzle Assembly - Slinger ring (HS) (2 per assembly)	4	ALL	
	71441**								Bracket and Nozzle Assembly - Slinger ring (HS) (2 per assembly)	4	ALL	
- 51	56329*								Coupling Hose (HS) (2 per assembly)	4	ALL	
	52749**								Coupling Hose (HS) (2 per assembly)	4	ALL	
	54844C***								Ring and Nozzle Assembly (HS) (1 LH - 1 RH propeller)	2	ALL	
		*644-189657 and 56329 coupling hose used in conjunction with 644-189656 ring assembly										
		**60153 or 71441 and 52749 coupling hose used in conjunction with 70352 ring assembly										
		***This part may be used in place of 644-189656 and 644-189657										

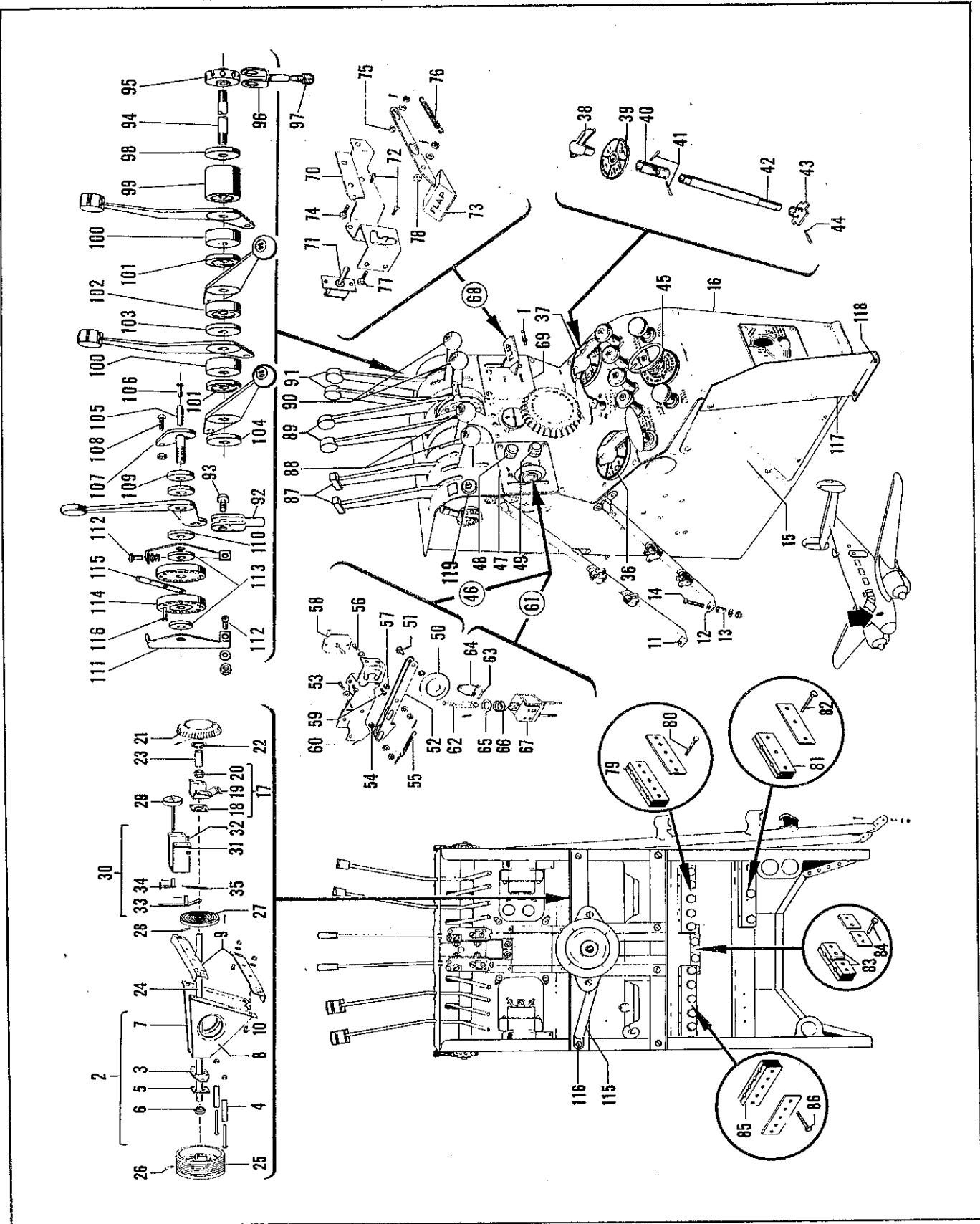


Figure 54 (Issue 2) Control Pedestal Installation



FIGURE and INDEX NUMBER	GROUP POWER PLANT							Units Per Ass'y	Usage on Code	
	MAJOR ASSEMBLY CONTROL PEDESTAL INSTALLATION									
	PART NUMBER	1	2	3	4	5	6 7			NOMENCLATURE
54 -	644-189055							Pedestal Installation - Control (See Figure 1)	Ref	ALL
	404-183860							Pedestal Assembly - Control	1	ALL
- 1	AN227-25							Stud - Curtain	1	ALL
	AN960-8							Washer - Plain No. 8	1	ALL
	AN365-1032							Nut - Self locking No. 10-32	1	ALL
- 2	407-183853							Support Assembly - Aileron tab pedestal pulley	1	ALL
- 3	407-183854							Support - Aileron tab pedestal pulley	1	ALL
								Attaching Parts:		
- 4	100696-P10-07-							Bushing	2	ALL
	-116									
	AN520-10-30							Screw - Round head No. 10-32 x 1-7/8 in.	2	ALL
	AN365-1032							Nut - Self locking No. 10-32	2	ALL
- 5	183855							Plate - Bearing support	1	ALL
- 6	CS866							Bearing - (SHZ)	1	ALL
- 7	404-183857							Bracket - Aileron tab pedestal pulley LH	1	ALL
- 8	404-183857-1							Bracket - Aileron tab pedestal pulley RH	1	ALL
- 9	404-183856							Support - Aileron tab pedestal pulley bracket	2	ALL
								Attaching Parts:		
- 10	AN526-6-6							Screw - Brazier head No. 8-32 x 3/8 in.	8	ALL
	AN960-6							Washer - Plain No. 6	8	ALL
	AN365-632							Nut - Self locking No. 6-63	8	ALL
- 11	183080							Bracket - Cowl flap mounting upper	1	ALL
- 12	183081							Bracket - Cowl flap mounting lower	1	ALL
								Attaching Parts:		
- 13	100696-D08-06							Spacer	4	ALL
	-018									
- 14	AN526-8R16							Screw - Truss head No. 8-32 x 1 in.	4	ALL
	AN960-8							Washer - Plain	4	ALL
	AN365-8-32							Nut - Self locking No. 8-32	4	ALL
- 15	734-183862-18							Door - Pedestal side LH	1	ALL
- 16	734-183862-19							Door - Pedestal side RH	1	ALL
								Attaching Parts:		
	AN526-8R7							Screw - Brazier head No. 8-32 x 7/16 in.	8	ALL
	AN960-8							Washer - Plain No. 8	8	ALL
	AN365-832							Nut - Self locking No. 8-32	8	ALL
- 17	183854							Bracket Assembly - Aileron tab control shaft bearing	1	ALL
- 18	183855							Plate - Bearing support	1	ALL
- 19	183854-1							Bracket - Aileron tab control shaft bearing	1	ALL
- 20	CS866							Bearing - (SHZ)	1	ALL
- 21	50-524124							Knob Assembly - Aileron tab control	1	ALL
								Attaching Parts:		
	102809-124-025							Pin	1	ALL

FIGURE and INDEX NUMBER	GROUP POWER PLANT							Units Per Ass'y	Usage on Code	
	MAJOR ASSEMBLY CONTROL PEDESTAL INSTALLATION Cont'd									
	PART NUMBER	1	2	3	4	5	6 7			NOMENCLATURE
54 - 22	NAS51-87							Ring - Snap	1	ALL
- 23	105739-X0391 -0500-0937							Bushing	1	ALL
- 24	404-187668							Shaft	1	ALL
- 25	404-187717							Sheave - Aileron control tab	1	ALL
								Attaching Parts		
- 26	187714-3							Pin	1	ALL
	404-187750							Indicator Installation - Aileron tab	1	ALL
- 27	404-187726							Actuator - Tab indicator spiral	1	ALL
								Attaching Parts		
- 28	AN392-31							Pin - Flat head 1/8 x 31/32 in.	1	ALL
	AN380-2-1							Pin - Cotter 1/16 x 1/2 in.	1	ALL
- 29	404-187732-12							Dial Assembly - Tab indicator	1	ALL
- 30	404-187729							Indicator Assembly - Aileron tab	1	ALL
- 31	404-187734							Bracket Assembly - Tab indicator support	1	ALL
								Attaching Parts		
- 32	AN507-6-6							Screw - Flat head No. 6-32 x 3/8 in.	4	ALL
	AN365-632							Nut - Self locking No. 6-32	4	ALL
- 33	404-187735							Link Assembly - Aileron tab indicating spiral actuating	1	ALL
- 34	404-187731-4							Link Assembly - Tab indicating	1	ALL
- 35	100942-010-006 -316-84							Spring	1	ALL
- 36	404-189260-30							Control Assembly - Fuel selector valve LH	1	ALL
- 37	404-189260-32							Control Assembly - Fuel selector valve RH	1	ALL
								Attaching Parts		
	AN507-8R8							Screw - Flat head No. 8-32 x 1/2 in.	4	ALL
	AN960-8							Washer - Plain No. 8	4	ALL
	AN365-832							Nut - Self locking No. 8-32	4	ALL
- 38	404-189260-4							Handle - Fuel selector valve	1	ALL
- 39	2MBA13595							Placard - Fuel selector - LH	1	ALL
	2MBA13595-1							Placard - Fuel selector - RH	1	ALL
- 40	066656							Joint - Universal (AA)	1	ALL
- 41	105714-S-1-6							Pin - Taper	2	ALL
- 42	404-189260-2							Tube - Torque	1	ALL
- 43	189714							Driver	1	ALL
- 44	105714-S-1-6							Pin - Taper	1	ALL
- 45	401-2A							Primer - Engine fuel (PA)	1	ALL
- 46	644-183864							Switch Assembly - Landing gear control	1	ALL
								Attaching Parts		
	AN526-8R7							Screw - Truss head No. 8-32 x 7/16 in.	2	ALL
- 47	404-183786							Door Assembly - Landing gear switch	1	ALL

FIGURE and INDEX NUMBER	GROUP POWER PLANT							Units Per Ass'y	Usage on Code	
	MAJOR ASSEMBLY CONTROL PEDESTAL INSTALLATION Cont'd									
	PART NUMBER	1	2	3	4	5	6 7			NOMENCLATURE
54 -	Attaching Parts									
- 47	AN526-8R7							Screw - Truss head No. 8-32 x 7/16 in.	4	ALL
- 48	AN3157-2							Light - Indicator	1	ALL
- 49	AN3157-3							Light - Indicator	1	ALL
- 50	894-183819							Wheel Assembly - Landing gear switch	1	ALL
	Attaching Parts									
- 51	AN24-13A							Bolt - Cleyis 1/4-28 x 27/32 in.	1	ALL
	AN960-416							Washer - Tooth lock 1/4 in.	1	ALL
	22K1-048							Nut - Cap	1	ALL
- 52	734-183865							Lever - Landing gears switch control	2	ALL
	Attaching Parts									
- 53	AN3-4							Bolt - Aircraft No. 10-32 x 1/2 in.	1	ALL
- 54	100696-x08-06-004							Spacer	1	ALL
	AN960-10							Washer - Plain No. 10	1	ALL
	AN960-10L							Washer - Plain No. 10	1	ALL
	AN310-3							Nut - Castellated No. 10-32	1	ALL
	AN380-2-3							Pin - Cotter 1/16 x 3/4 in.	1	ALL
- 55	734-183864							Spring	1	ALL
	Attaching Parts									
- 56	AN3-4							Bolt - Aircraft No. 10-32	1	ALL
- 57	100696-x08-06-002							Spacer	1	ALL
	AN960-10							Washer - Plain No. 10	1	ALL
	AN960-10L							Washer - Plain No. 10	1	ALL
	AN310-3							Nut - Castellated No. 10-32	1	ALL
	AN380-2-3							Pin - Cotter 1/16 x 3/4 in.	1	ALL
- 58	AN3023-3							Switch	1	ALL
	Attaching Parts									
- 59	AN526-6R5							Screw - Truss head No. 6-32 x 5/16 in.	2	ALL
- 60	734-183873							Bracket Assembly - Landing gear switch	1	ALL
- 61	644-183865							Latch Assembly - Landing gear control	1	ALL
	Attaching Parts									
	AN505-8-4							Screw - Flat head No. 8-32 x 1/4 in.	3	ALL
- 62	734-183871							Latch - Landing gear control	1	ALL
	Attaching Parts									
- 63	AN392-25							Pin - Flat head 1/8 x 25/32 in.	1	ALL
	AN380-2-3							Pin - Cotter 1/16 x 3/4 in.	1	ALL
- 64	734-183874							Spring	1	ALL
- 65	100951-S025-016							Washer	1	ALL
	-024									
- 66	100943-051-020							Spring	1	ALL
	-024-6									

FIGURE and INDEX NUMBER	GROUP POWER PLANT							Units Per Ass'y	Usage on Code	
	MAJOR ASSEMBLY CONTROL PEDESTAL INSTALLATION Cont'd									
	PART NUMBER	1	2	3	4	5	6 7			NOMENCLATURE
54 - 67	734-183872							Solenoid Assembly - Landing gear latch OR	1	ALL
	404-189055-702							Solenoid - Landing gear switch (use for spare part)	1	ALL
- 68	644-183863							Switch Assembly - Flap control	1	ALL
								Attaching Parts		
	AN526-8R7							Screw - Truss head No. 8-32 x 7/16 in.	2	ALL
- 69	404-183777							Door Assembly - Flap switch	1	ALL
								Attaching Parts		
	AN526-8R7							Screw - Truss head No. 8-32 x 7/16 in.	4	ALL
- 70	734-183863-1							Bracket Assembly - Flap switch RH	1	ALL
- 71	AN3022-1							Switch	1	ALL
								Attaching Parts		
- 72	AN526-6R5							Screw - Truss head No. 6-32 x 5/16 in.	2	ALL
- 73	734-183866							Lever Assembly - Flap switch control	1	ALL
								Attaching Parts		
- 74	AN3-4							Bolt - Aircraft No. 10-32 x 1/2 in.	1	ALL
- 75	100696-X08-06 -004							Spacer	1	ALL
	AN960-10							Washer - Plain No. 10	1	ALL
	AN960-10L							Washer - Plain No. 10	1	ALL
	AN310-3							Nut - Castellated No. 10-32	1	ALL
	AN380-2-3							Pin - Cotter 1/16 x 3/4 in.	1	ALL
- 76	734-183864							Spring	1	ALL
								Attaching Parts		
- 77	AN3-4							Bolt - Aircraft No. 10-32 x 1/2 in.	1	ALL
- 78	100696-X08-06 -002							Spacer	1	ALL
	AN960-10							Washer - Plain No. 10	1	ALL
	AN960-10L							Washer - Plain No. 10	1	ALL
	AN310-3							Nut - Castellated No. 10-32	1	ALL
	AN380-2-3							Pin - Cotter 1/16 x 3/4 in.	1	ALL
- 79	189046 189074							Block - Engine control support Reinforcement - Upper control block	1 1	ALL ALL
								Attaching Parts		
- 80	AN3-10A							Bolt - Aircraft No. 10-32 x 1-1/4 in.	5	ALL
- 81	I189084 189071							Block - Engine control support Reinforcement - Lower control block	1 1	ALL ALL
								Attaching Parts		
- 82	AN3-10A							Bolt - Aircraft No. 10-32 x 1-1/4 in.	3	ALL

FIGURE and INDEX NUMBER	GROUP POWER PLANT							Units Per Ass'y	Usage on Code	
	MAJOR ASSEMBLY CONTROL PEDESTAL INSTALLATION Cont'd									
	PART NUMBER	1	2	3	4	5	6 7			NOMENCLATURE
54 - 83	183857-2							Block Assembly - Control panel control guide	1	ALL
	189089							Reinforcement - Middle control block	2	ALL
		Attaching Parts								
84	AN3-10A							Bolt - Aircraft No. 10-32 x 1-1/4 in.	4	ALL
- 85	183857-1							Block Assembly - Control panel control guide	1	ALL
	189074							Reinforcement - Upper control block	1	ALL
		Attaching Parts								
- 86	AN3-10A							Bolt - Aircraft No. 10-32 x 1-1/4 in.	5	ALL
- 87	644-189056							Lever Assembly - Propeller speed control	2	ALL
	101321-00-0193							Bushing	2	ALL
	-0217									
- 88	644-189057-10							Lever Assembly - Manifold heat control	2	ALL
	101321-00-0193							Bushing	2	ALL
	-0172									
- 89	694-189061-10							Lever Assembly - Throttle	2	ALL
	101321-00-0193							Bushing	2	ALL
	-0217									
- 90	644-189057-8							Lever Assembly - Oil shutter control	2	ALL
	101321-00-0193							Bushing	2	ALL
	-0172									
- 91	694-189063-10							Lever Assembly - Mixture control	2	ALL
	101321-00-0193							Bushing	2	ALL
	-0217									
- 92	111-42002							Clevis - Friction control lever	10	ALL
		Attaching Parts								
- 93	MS20392-2-17							Bolt - Control clevis	10	ALL
- 94	694-189082							Shaft - Pedestal control lever outer LH	1	ALL
	189082							Shaft - Pedestal control lever outer RH	1	ALL
- 95	694-183857							Wheel - Friction adjustment LH	1	ALL
	183852-4							Wheel - Friction adjustment RH	1	ALL
- 96	183852-1							Clevis Assembly - Friction adjustment	2	ALL
- 97	183852-3							Pin - Friction adjustment	2	ALL
- 98	183852-2							Spacer - Friction adjustment	2	ALL
- 99	183847P							Bushing - Control shaft	2	ALL
-100	183868-2							Bushing - Control shaft	4	ALL
-101	189087							Spacer - Control shaft	4	ALL
-102	189085							Spacer - Control shaft	2	ALL
-103	183868-1							Bushing - Control shaft	2	ALL
-104	189088							Spacer - Control shaft	2	ALL
	189490							Control Assembly - Throttle friction	1	ALL
-105	189083							Shaft - Throttle friction control	1	ALL
		Attaching Parts								
-106	NO NUMBER							Screw - 8-32 x 3/4 in.	2	ALL

FIGURE and INDEX NUMBER	GROUP POWER PLANT							Units Per Ass'y	Usage on Code	
	MAJOR ASSEMBLY CONTROL PEDESTAL INSTALLATION Cont'd									
	PART NUMBER	1	2	3	4	5	6 7			NOMENCLATURE
54 -107	189493-1							Screw - Throttle friction control spacer LH	1	ALL
	189493-2							Screw - Throttle friction control spacer RH	1	ALL
	Attaching Parts									
-108	AN526-632-6							Screw	2	ALL
	AN365-632							Nut	2	ALL
-109	189490							Washer - Throttle friction control	2	ALL
-110	189494							Washer - Throttle friction control	4	ALL
-111	183883							Plate - Throttle valve guide LH	1	ALL
	183883-1							Plate - Throttle valve guide RH	1	ALL
	Attaching Parts									
-112	AN526-632-6							Screw	4	ALL
	AN960-6							Washer - Plain No. 6	4	ALL
	AN365-632							Nut - Self locking No. 6-32	4	ALL
-113	189495							Washer - Throttle friction control	2	ALL
-114	189491-1							Wheel - Throttle control LH	1	ALL
	189491-2							Wheel - Throttle control RH	1	ALL
-115	189492							Lever - Throttle friction control	1	ALL
	Attaching Parts									
-116	AN392-21							Pin - Flat head 1/8 x 21/32 in.	2	ALL
	AN380-2-2							Pin - Cotter 1/16 x 1/2 in.	2	ALL
-117										
-118										
-119	MS25089-4C							Switch - Emergency Over-ride	1	ALL



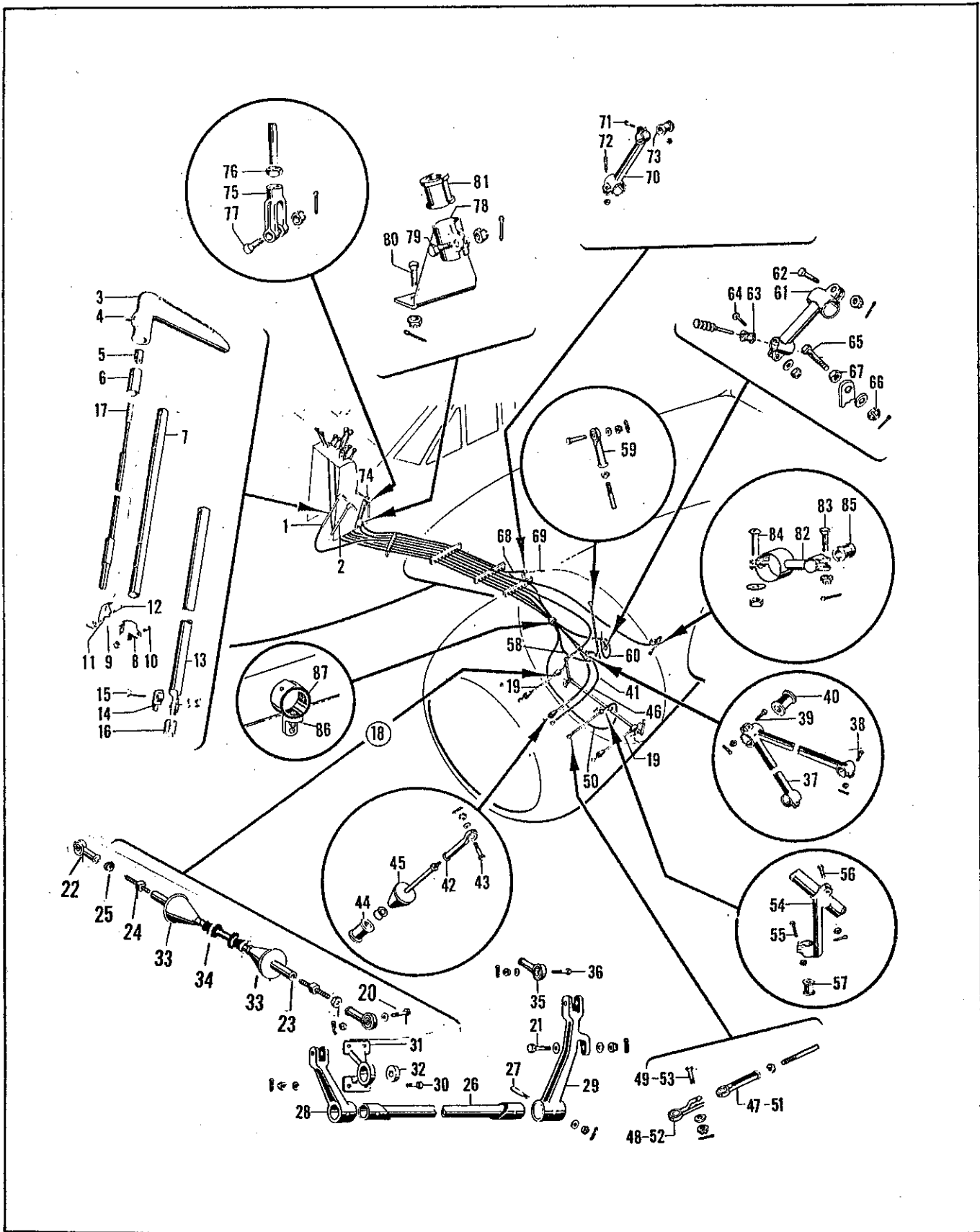


Figure 55 (Issue 1) Engine Controls Installation



FIGURE and INDEX NUMBER	GROUP POWER PLANT							Units Per Ass'y	Usage on Code	
	MAJOR ASSEMBLY ENGINE CONTROLS INSTALLATION									
	PART NUMBER	1	2	3	4	5	6 7			NOMENCLATURE
55 -	404-189058	Control Installation - Engine (See Figure 1)							Ref	ALL
- 1	189038-2	Control Assembly - Cowl flap LH							1	ALL
- 2	189038-4	Control Assembly - Cowl flap RH							1	ALL
		Attaching Parts								
	AN3-11	Bolt - Aircraft No. 10 -32 x 7/8 in.							2	ALL
	AN310-3	Nut - Self locking No. 10-32							2	ALL
- 3	183092	Handle - Cowl flap control							1	ALL
		Attaching Parts								
- 4	AN565D416H6	Screw - Set 1/4 -20 x 3/8 in. (CGS)							1	ALL
- 5	183091	Collar - Cowl flap control							1	ALL
- 6	183076	Collar - Cowl flap control							1	ALL
- 7	183078	Plunger - Cowl flap control							1	ALL
- 8	183084	Clamp Assembly - Cowl flap latch							1	ALL
- 9	100943-040	Spring							1	ALL
	-008-024-8									
- 10	AN3-7A	Bolt - Aircraft No. 10-32 x 7/8 in.							1	ALL
	AN365-1032	Nut - Self locking No. 10-32							1	ALL
- 11	183077	Latch - Cowl flap							1	ALL
		Attaching Parts								
- 12	AN392-23	Pin - Flat 1/8 x 23/32 in.							1	ALL
	AN380-2-2	Pin - Cotter 1/16 x 1/2 in.							1	ALL
- 13	105020	Housing Assembly - Cowl flap control							1	ALL
- 14	105019	Clamp Assembly - Cowl flap housing							1	ALL
		Attaching Parts								
- 15	AN3-7A	Bolt - Aircraft No. 10-32 x 7/8 in.							2	ALL
	AN960-10	Washer - Plain No. 10							2	ALL
	AN365-1032	Nut - Self locking No. 10-32							2	ALL
- 16	183072	Spacer - Cowl flap control							1	ALL
- 17	189095-11	Control - Cowl flap							1	ALL
- 18	189526A L	Control Assembly - Cowl flap LH							1	ALL
		OR								
	189562A-2	Control Assembly - Cowl flap LH (use for spare part- consists of one LH and one RH arm assembly, two hangers and torque tube)							1	ALL
		OR								
	189526A-4	Control Assembly - Cowl flap LH (use for spare part- consists of one LH and one RH arm assembly, two hangers, torque tube and two rod assemblies)							1	ALL
	189526A R	Control Assembly - Cowl flap RH							1	ALL
		OR								

FIGURE and INDEX NUMBER	GROUP POWER PLANT							Units Per Ass'y	Usage on Code	
	MAJOR ASSEMBLY ENGINE CONTROLS INSTALLATION Cont'd									
	PART NUMBER	1	2	3	4	5	6 7			NOMENCLATURE
55 -	189526A-3							Control Assembly - Cowl Flap RH (use for spare part - consists of one LH and one RH arm assembly, two hangers, torque tube)	1	ALL
	189526A-5							Control Assembly - Cowl Flap RH (use for spare part - consists of one LH and one RH arm assembly, two hangers, torque tube and two rod assemblies)	1	ALL
- 19	18S5967							Rod Assembly - Cowl flap control	2	ALL
		Attaching Parts								
- 20	AN3-11							Bolt - Aircraft No. 10-32 x 1-1/8 in.	3	ALL
- 21	AN3-13							Bolt - Aircraft No. 10-32 x 1-3/8 in.	1	ALL
	AN960-10							Washer - Plain No. 10	5	ALL
	AN310-3							Nut - Castellated No. 10-32	4	ALL
	AN380-2-2							Pin - Cotter 1/16 x 1/2 in.	4	ALL
- 22	REB3N							End - Control Rod	2	ALL
- 23	18S5968							Link - Control Rod	1	ALL
- 24	185969							Screw - Control rod adjusting	2	ALL
- 25	AN315-4R							Nut - Check 1/4 - 28	2	ALL
- 26	189525							Tube - Cowl flap torque	1	ALL
		Attaching Parts								
- 27	AN386-2-10							Pin - Taper	2	ALL
	AN975-3							Washer - Taper pin No. 10	2	ALL
	AN320-3							Nut - Castellated No. 10-32	2	ALL
	AN380-2-2							Pin - Cotter 1/16 x 1/2 in.	2	ALL
- 28	189522							Arm - Cowl flap torque tube outer	1	ALL
- 29	189521							Arm - Cowl flap torque tube inner	1	ALL
	189523-3L							Hanger Assembly - Cowl flap torque tube LH	1	ALL
	189523-4R							Hanger Assembly - Cowl flap torque tube RH	1	ALL
		Attaching Parts								
- 30	AN3-5A							Bolt - Aircraft No. 10-32 x 5/8 in.	4	ALL
	AN960-10							Washer - Plain No. 10	4	ALL
	AN365-1032							Nut - Self locking No. 10-32	4	ALL
- 31	189523-1 L							Hanger - Cowl flap torque tube LH	1	ALL
	189523-1 R							Hanger - Cowl flap torque tube RH	1	ALL
- 32	A539							Bearing - (FAF)	1	ALL
- 33	73-2909							Grommet	2	ALL
- 34	S-37							Liner - Engine control grommet	2	ALL
- 35	REB3N							End - Control rod (FAF)	1	ALL
		Attaching Parts								
- 36	AN3-11							Bolt - Aircraft No. 10-32 x 1 - 1/8 in.	1	ALL
	AN960-10							Washer - Plain No. 10	1	ALL
	AN310-3							Nut - Castellated No. 10-32	1	ALL
	AN380-2-2							Pin - Cotter 1/16 x 1/2 in.	1	ALL

FIGURE and INDEX NUMBER	GROUP POWER PLANT							Units Per Ass'y	Usage on Code	
	MAJOR ASSEMBLY ENGINE CONTROLS INSTALLATION Cont'd									
	PART NUMBER	1	2	3	4	5	6 7			NOMENCLATURE
55 -										
- 37	404-189534							Bracket - Cowl flap control unit support LH	1	ALL
	404-189534-1							Bracket - Cowl flap control unit support RH	1	ALL
								Attaching Parts		
- 38	AN3-7							Bolt - Aircraft No. 10-32 x 7/8 in.	4	ALL
	AN310-3							Nut - Castellated No. 10-32	4	ALL
- 39	AN4-11							Bolt - Aircraft No. 10-32 x 1-1/8 in.	2	ALL
	AN310-4							Nut - Castellated No. 10-32	2	ALL
	AN380-2-2							Pin - Cotter 1/16 x 1/2 in.	6	ALL
- 40	S-241							Bushing	1	ALL
- 41	189095-5							Control - Manifold heat LH	1	ALL
	189095-6							Control - Manifold heat RH	1	ALL
- 42	REB3N							End - Control rod (FAF)	1	ALL
								Attaching Parts		
- 43	AN3-12							Bolt - Aircraft No. 10-32 x 1-1/4 in.	1	ALL
	AN960-10							Washer - Plain No. 10	1	ALL
	AN310-3							Nut - Castellated No. 10-32	1	ALL
	AN380-2-2							Pin - Cotter 1/16 x 1/2 in.	1	ALL
- 44	S-241							Bushing	1	ALL
- 45	73-2909							Grommet	1	ALL
	S-37							Liner Engine control Grommet	1	ALL
- 46	189095-7							Control - Throttle LH	1	ALL
	189095-8							Control - Throttle RH	1	ALL
- 47	REB3N							End - Control rod (FAF)	1	ALL
- 48	18S9185							Arm - Throttle control	1	ALL
								Attaching Parts		
- 49	AN3-11							Bolt - Aircraft No. 10-32 x 1-1/8 in.	1	ALL
	AN960-10							Washer - Plain No. 10	1	ALL
	AN310-3							Nut - Castellated No. 10-32	1	ALL
	AN380-2-2							Pin - Cotter 1/16 x 1/2 in.	1	ALL
- 50	189095-4							Control - Mixture LH	1	ALL
	189095-3							Control - Mixture RH	1	ALL
- 51	REB3N							End - Control rod (FAF)	1	ALL
- 52	189185							Arm - Mixture control	1	ALL
								Attaching Parts		
- 53	AN3-11							Bolt - Aircraft No. 10-32 x 1-1/8 in.	1	ALL
	AN960-10							Washer - Plain No. 10	1	ALL
	AN310-3							Nut - Castellated No. 10-32	1	ALL
	AN380-2-2							Pin - Cotter 1/16 x 1/2 in.	1	ALL
- 54	18S936P							Bracket - Mixture control support	1	ALL
- 55	AN3-7A							Bolt - Aircraft No. 10-32 x 7/8 in.	1	ALL
	AN365-1032							Nut - Self locking No. 10-32	1	ALL

FIGURE and INDEX NUMBER	GROUP POWER PLANT							Units Per Ass'y	Usage on Code	
	MAJOR ASSEMBLY ENGINE CONTROLS INSTALLATION Cont'd									
	PART NUMBER	1	2	3	4	5	6 7			NOMENCLATURE
55 -										
- 56	AN4-10							Bolt - Aircraft 1/4-28 x 1 in.	1	ALL
	AN310-4							Nut - Castellated 1/4-28	1	ALL
	AN380-2-2							Pin - Cotter 1/16 x 1/2 in.	1	ALL
- 57	S-241							Bushing	1	ALL
- 58	189095-2							Control - propeller LH	1	ALL
	189095-1							Control - propeller RH	1	ALL
- 59	REB3N							End - Control rod (FAF)	1	ALL
	Attaching Parts									
	AN3-11							Bolt - Aircraft No. 10-32 x 1-1/8 in.	1	ALL
	AN960-10							Washer - Plain No. 10	1	ALL
	AN310-3							Nut - Castellated No. 10-32	1	ALL
	AN380-2-2							Pin - Cotter 1/16 x 1/2 in.	1	ALL
- 60	404-183958-6							Control - Oil by-pass (SPC 3A672)	1	ALL
- 61	404-189059							Bracket Assembly - Oil by-pass control LH	1	ALL
	404-189059-1							Bracket Assembly - Oil by-pass control RH	1	ALL
	Attaching Parts									
- 62	AN4-10							Bolt - Aircraft 1/4 - 28 x 1 in.	1	ALL
	AN960-416							Washer - Plain 1/4 in.	1	ALL
	AN310-4							Nut - Castellated 1/4-28	1	ALL
	AN380-2-2							Pin - Cotter 1/16 x 1/2 in.	1	ALL
- 63	404-189064							Bushing	1	ALL
	Attaching Parts									
- 64	AN3-7A							Bolt - Aircraft No. 10-32 x 7/8 in.	1	ALL
	AN960-10							Washer - Plain No. 10	1	ALL
	AN365-1032							Nut - Self locking No. 10-32	1	ALL
- 65	S-207-6							Bolt - (Make from AN4 bolt)	1	ALL
- 66	AN310-4							Nut - Castellated 1/4-28	1	ALL
- 67	AN315-4R							Nut - Check 1/4-28	1	ALL
	AN960-416							Washer - Plain 1/4 in.	1	ALL
	AN380-2-2							Pin - Cotter 1/16 x 1/2 in.	1	ALL
- 68	189095-9							Control - Oil shutter LH	1	ALL
	189095-10							Control - Oil shutter RH	1	ALL
- 69	316							Crank - Ball (AA)	1	ALL
	AN365-1032							Nut - Self locking No. 10-32	1	ALL
- 70	189073							Bracket - Oil shutter control LH	1	ALL
	189878							Bracket - Oil shutter control RH	1	ALL
	Attaching Parts									
- 71	AN3-7A							Bolt - Aircraft No. 10-32 x 7/8 in.	1	ALL
	AN365-1032							Nut - Self locking No. 10-32	1	ALL
- 72	AN4-11A							Bolt - Aircraft No. 10-32	1	ALL
	AN365-428							Nut - Self locking 1/4-28	1	ALL
- 73	S-241							Bushing	1	ALL

FIGURE and INDEX	GROUP POWER PLANT							Units Per Ass'y	Usage on Code	
	MAJOR ASSEMBLY ENGINE CONTROLS INSTALLATION Cont'd									
	NUMBER	PART NUMBER	1	2	3	4	5 6 7			NOMENCLATURE
55 -										
- 74	189095-12							Control - Oil shut-off	1	ABC
- 75	189302							Clevis - Oil shut-off control	1	ABC
								Attaching Parts		
- 76	AN364-1032							Nut - Self locking No. 10-32	1	ABC
- 77	AN3-10							Bolt - Aircraft No. 10-32 x 1 in.	1	ABC
	AN310-3							Nut - Castellated No. 10-32	1	ABC
	AN380-2-2							Pin - Cotter 1/16 x 1/2 in.	1	ABC
	407-189063							Knob - Oil shut-off control	1	ABC
- 78	404-189535							Support Assembly - Oil shut-off control	1	ABC
								Attaching Parts		
- 79	AN4-11							Bolt - Aircraft 1/4-28 x 1-1/8 in.	1	ABC
	AN310-4							Nut - Castellated 1/4-28	1	ABC
- 80	AN3-7							Bolt - Aircraft No. 10-32 x 7/8 in.	2	ABC
	AN310-3							Nut - Castellated No. 10-32	2	ABC
	AN380-2-2							Pin - Cotter 1/16 x 1/2 in.	3	ABC
- 81	S-241							Bushing	1	ABC
- 82	404-189063							Clamp Assembly - Oil shut-off control LH	1	ABC
	404-189063-1							Clamp Assembly - Oil shut-off control RH	1	ABC
								Attaching Parts		
- 83	AN3-7							Bolt - Aircraft No. 10-32 x 7/8 in.	1	ABC
	AN310-3							Nut - Castellated No. 10-32	1	ABC
	AN380-2-2							Pin - Cotter 1/16 x 1/2 in.	1	ABC
- 84	AN526-10-16							Screw - Brazier head No. 10-32 x 1 in.	1	ABC
	AN960-10							Washer - Plain No. 10	1	ABC
	AN365-1032							Nut - Self locking No. 10-32	1	ABC
- 85	S-241							Bushing	1	ABC
- 86	AN743-12							Bracket	1	ABC
- 87	A3104-4							Clamp - Harness	1	ABC
								Attaching Parts		
	AN515-8-7							Screw	1	ABC
	AN515-8-6							Screw	1	ABC
	AN960-8L							Washer	2	ABC
	AN365-832							Nut	2	ABC

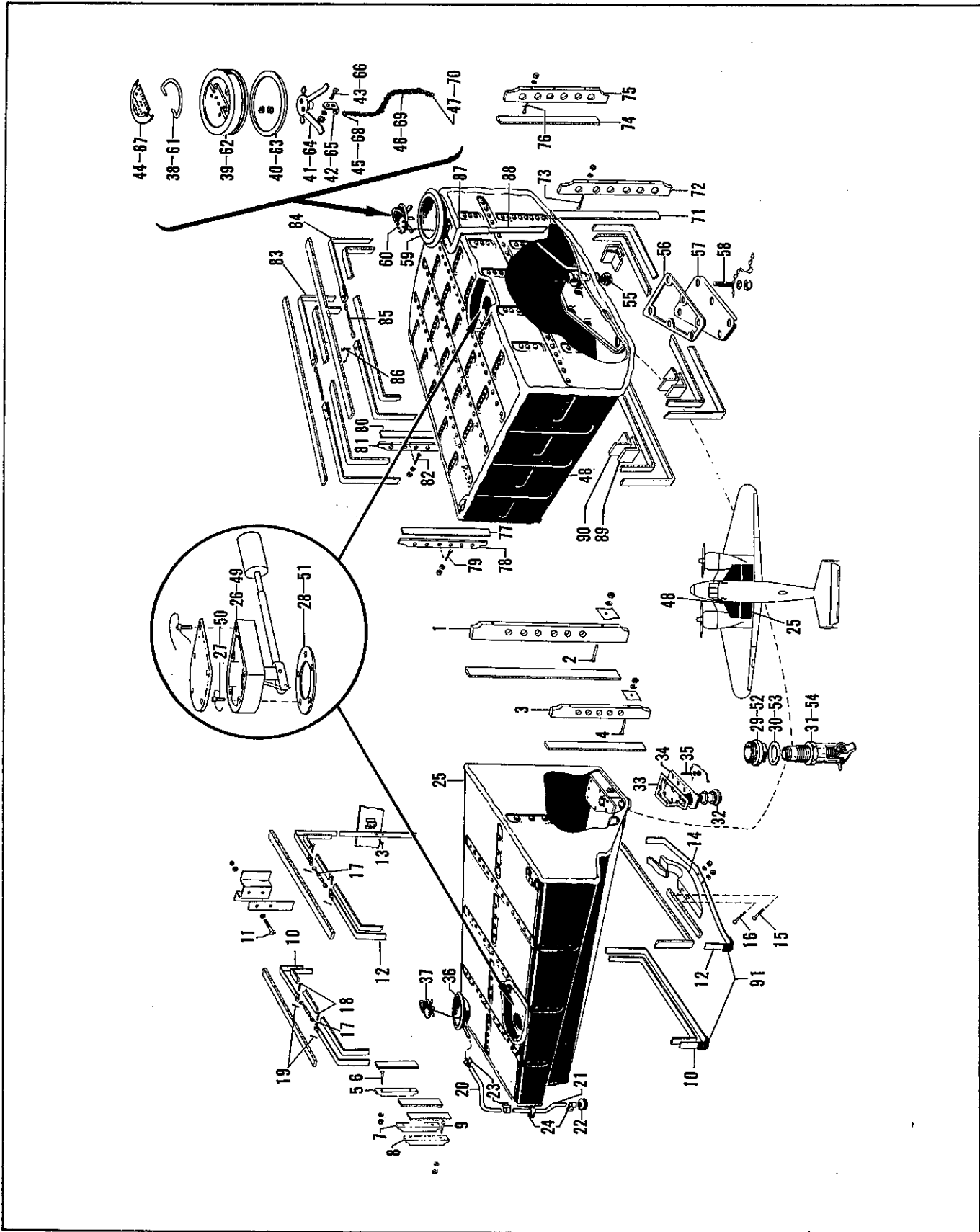


Figure 56. Wing Fuel Tank Installation

FIGURE and INDEX	GROUP POWER PLANT							Units Per Ass'y	Usage on Code	
	MAJOR ASSEMBLY WING FUEL TANK INSTALLATION									
	NUMBER	PART NUMBER	1	2	3	4	5 6 7			NOMENCLATURE
56 -	644-189720	Tank Installation - Center Section rear LH ( See Figure 1)							Ref	ALL
	644-189720-1	Tank Installation - Center section rear RH ( See Figure 1)							Ref	ALL
- 1	181109	Strip - Center section fuel tank inboard front							1	ALL
		Attaching Parts								
- 2	AN505-8-32	Screw - Flat head No. 8 - 32 x 2 in.							2	ALL
	AN960-8	Washer - Plain No. 8							2	ALL
	AN365-832	Nut - Self locking No. 8-32							2	ALL
	206248-2-1100	Pad Assembly							1	ALL
- 3	181108	Strip - Center section fuel tank inboard rear							1	ALL
		Attaching Parts								
- 4	AN505-8-32	Screw - Flat head No. 8-32 x 2 in.							2	ALL
	AN960-8	Washer - Plain No. 8							2	ALL
	AN365-832	Nut - Self locking No. 8-32							2	ALL
	206248-2-1304	Pad Assembly							1	ALL
- 5	181111	Strip - Center section fuel tank outboard front							1	ALL
		Attaching Parts								
- 6	AN505-8-18	Screw - Flat head No. 8-32 x 1-1/8 in.							2	ALL
	AN960-8	Washer - Plain No. 8							2	ALL
	AN365-832	Nut - Self locking No. 8-32							2	ALL
	206248-2-1500	Pad Assembly							1	ALL
- 7	181110	Strip - Center section fuel tank outboard center							1	ALL
		Attaching Parts								
	AN505-8-18	Screw - Flat head No. 8-32 x 1-1/8 in.							2	ALL
	AN960-8	Washer - Plain No. 8							2	ALL
	AN365-832	Nut - Self locking No. 8-32							2	ALL
	206248-2-1200	Pad Assembly							1	ALL
- 8	181107	Strip - Center section fuel tank outboard rear							1	ALL
		Attaching Parts								
- 9	AN505-8-18	Screw - Flat head No. 8-32 x 1-1/8 in.							2	ALL
	AN960-8	Washer - Plain No. 8							2	ALL
	AN365-832	Nut - Self locking No. 8-32							2	ALL
	206248-2-1012	Pad Assembly							1	ALL
- 10	189651-1	Strap Assembly - Fuel tank outboard							1	ALL
		Attaching Parts								
- 11	S-162	Bolt - (Make from AN3 bolt)							4	ALL
	AN960-10	Washer - Plain No. 10							8	ALL
	AN365-1032	Nut - Self locking No. 10-32							4	ALL
	206248-2-5904	Pad Assembly							1	ALL
	206248-2-1912	Pad Assembly							1	ALL
- 12	189651-2	Strap Assembly - Fuel tank inboard							1	ALL

FIGURE and INDEX NUMBER	GROUP POWER PLANT							Units Per Ass'y	Usage on Code
	MAJOR ASSEMBLY WING FUEL TANK INSTALLATION Cont'd.								
	PART NUMBER	1	2	3	4	5	6 7		
56 -									
- 13	S-162							4	ALL
	AN960-10							8	ALL
	AN365-1032							4	ALL
	206248-3-5908							1	ALL
	206248-2-1912							1	ALL
- 14	189653							1	ALL
- 15	AN515-8-24							1	ALL
	AN960-8							2	ALL
	AN365-832							1	ALL
- 16	AN515-8-20							1	ALL
	AN960-8							2	ALL
	AN365-832							1	ALL
	206248-3-0908							1	ALL
	206248-2-0308							1	ALL
- 17	107464							2	ALL
- 18	AN393-21							2	ALL
- 19	AN380-2-2							2	ALL
- 20	106043-0804								
	-080							1	ALL
- 21	189750							1	ALL
- 22	AN931-4-7							1	ALL
- 23	AN735D-6							2	ALL
- 24	AN742-4							2	ALL
- 25	644-189605							1	ALL
	644-189605-1							1	ALL
- 26	EA1612-189726								
	-1							1	ALL
	EA1611-189726								
	-1							1	ALL
- 27	AN500A-10-12							5	ALL
- 28	189631							1	ALL
- 29	189683							1	ALL
- 30	AN900-16							1	ALL
- 31	K-1700B-2*							1	ALL
	CCA1600*							1	D
- 32	407-189606-4							1	ABC
	189728U							1	D
	AN900-16							1	ALL
- 33	189725U							1	ALL
- 34	189726U L							1	ABC

\* These parts are interchangeable.



FIGURE and INDEX NUMBER	GROUP POWER PLANT							Units Per Ass'y	Usage on Code	
	MAJOR ASSEMBLY WING FUEL TANK INSTALLATION Cont'd.									
	PART NUMBER	1	2	3	4	5	6 7			NOMENCLATURE
56 - 34	2MBA4410							Plate - Rear fuel tank sump LH	1	D
	189726U R							Plate - Rear fuel tank sump RH	1	ABC
	2MBA4410-1							Plate - Rear fuel tank sump RH	1	D
								Attaching Parts		
- 35	189602							Stud - Tank 1/4-28	7	ALL
	AN960-416							Washer - Plain 1/4 in.	7	ALL
	AN310-4							Nut - Castellated 1/4-28	7	ALL
- 36	189614							Collar Assembly - Fuel tank filler neck	1	ALL
- 37	189620-14							Cap Assembly - Rear fuel tank	1	ALL
- 38	189622							Handle - Fuel tank cap assembly	1	ALL
- 39	189621							Casting - Fuel tank cap assembly	1	ALL
- 40	108059							Gasket - Fuel tank cap assembly	1	ALL
- 41	189623							Spider - Fuel tank cap	1	ALL
- 42	189624							Lug - Fuel tank cap chain	1	ALL
								Attaching Parts		
- 43	AN507-8-14							Screw - Round head No. 8-32 x 7/8 in.	2	ALL
	AN935-8							Washer - Lock No. 8	2	ALL
	AN340-8							Nut - Light hexagon No. 8-32	2	ALL
- 44	644-189627-6							Plate - Fuel tank cap assembly	1	ALL
- 45	189620-7							Ring - Fuel tank cap assembly	1	ALL
- 46	189620-8							Chain - Fuel tank cap assembly	1	ALL
- 47	189628							Hook - Fuel tank cap assembly	1	ALL
	644-189730							Tank Installation - Center section main fuel LH (see Figure 1)	Ref	ALL
	644-189730-1							Tank Installation - Center section main fuel RH (see Figure 1)	Ref	ALL
- 48	644-189604							Tank Assembly - Center section main fuel LH	1	ALL
	644-189604-1							Tank Assembly - Center section main fuel RH	1	ALL
- 49	EA1612-189630							Tank Unit - Main fuel tank LH (LI)	1	ALL
	-1							Tank Unit - Main fuel tank LH (LI)	1	ALL
	EA1611-189630							Tank Unit - Main fuel tank RH (LI)	1	ALL
	-2							Tank Unit - Main fuel tank RH (LI)	1	ALL
								Attaching Parts		
- 50	AN500A-10-12							Screw - Fillister head No. 10-24 x 3/4 in.	5	ALL
- 51	189631							Gasket - Fuel gauge mounting	1	ALL
- 52	189683							Plug - Square head tapped	1	ALL
- 53	AN900-16							Gasket	1	ALL
- 54	K-1700B-2*							Cock - Drain (KOE)	1	ALL
	CCA1600*							Cock - Drain (Curtis Automotive Devices)	1	D
- 55	407-189606-2							Strainer Assembly - Fuel	1	ABC
	189607U							Strainer Assembly - Fuel	1	D
	AN900-16							Gasket	1	ALL
- 56	189604U							Gasket - Main fuel tank sump plate	1	ALL
- 57	189605U L							Plate - Main fuel tank sump LH	1	ABC
	2MBA4411							Plate - Main fuel tank sump LH	1	D

FIGURE and INDEX NUMBER	GROUP POWER PLANT							Units Per Ass'y	Usage on Code	
	MAJOR ASSEMBLY WING FUEL TANK INSTALLATION Cont'd.									
	PART NUMBER	1	2	3	4	5	6 7			NOMENCLATURE
56 - 57	189605U R 2MBA4411-1							Plate - Main fuel tank sump RH Plate - Main fuel tank sump RH	1 1	ABC D
								Attaching Parts		
- 58	189602U AN960-416 AN310-4							Stud - Tank 1/4-28 Washer - Plain 1/4 in. Nut - Castellated 1/4-28	7 7 7	ALL ALL ALL
- 59	189614 189611							Collar Assembly - Fuel tank filler neck Collar Assembly - Fuel tank filler neck	1 1	ALL ALL
- 60	189620-12							Cap Assembly - Main fuel tank	1	ALL
- 61	189622							Handle - Fuel tank cap assembly	1	ALL
- 62	189621							Casting - Fuel tank cap assembly	1	ALL
- 63	108059							Gasket - Fuel tank cap assembly	1	ALL
- 64	189623							Spider - Fuel tank cap assembly	1	ALL
- 65	189624							Lug - Fuel tank cap assembly	1	ALL
								Attaching Parts		
- 66	AN507-8-14 AN935-8 AN340-8							Screw - Flat head No. 8-32 x 7/8 in. Washer - Lock No. 8 Nut - Light hexagon No. 8-32	2 2 2	ALL ALL ALL
- 67	644-189627-4							Plate - Fuel tank cap assembly	1	ALL
- 68	189620-7							Ring - Fuel tank cap assembly	1	ALL
- 69	189620-8							Chain - Fuel tank cap assembly	1	ALL
- 70	189628							Hook - Fuel tank cap assembly	1	ALL
- 71	206248-2-1816							Pad Assembly	1	ALL
- 72	694-181108							Strip - Tank spacing	1	ALL
								Attaching Parts		
- 73	AN505-8-32 AN960-8 AN365-832							Screw - Flat head No. 8-32 x 2 in. Washer - Plain No. 8 Nut - Self locking No. 8-32	3 3 3	ALL ALL ALL
- 74	206248-2-2012							Pad Assembly	1	ALL
- 75	694-181109							Strip - Tank spacing	1	ALL
								Attaching Parts		
- 76	AN505-8-32 AN960-8 AN365-832							Screw - Flat head No. 8-32 x 2 in. Washer - Plain No. 8 Nut - Self locking No. 8-32	3 3 3	ALL ALL ALL
- 77	206248-2-1600							Pad Assembly	1	ALL
- 78	804-181163							Strip - Tank spacing	1	ALL
								Attaching Parts		
- 79	AN505-8-16 AN960-8 AN365-832							Screw - Flat head No. 8-32 x 1 in. Washer - Plain No. 8 Nut - Self locking No. 8-32	2 2 2	ALL ALL ALL
- 80	206248-2-1800							Pad Assembly	1	ALL
- 81	804-181162							Strip - Tank spacing	1	ALL
								Attaching Parts		

FIGURE and INDEX NUMBER	GROUP : POWER PLANT							Units Per Ass'y	Usage on Code		
	MAJOR ASSEMBLY WING FUEL TANK INSTALLATION Cont'd.										
	PART NUMBER	1	2	3	4	5	6			7	NOMENCLATURE
56 - 82	AN505-8-16								Screw - Flat head No. 8-32 x 1 in.	2	ALL
	AN960-8								Washer - Plain No. 8	2	ALL
	AN365-832								Nut - Self locking No. 8-32	2	ALL
- 83	18965-1								Strap Assembly - Tank mounting outboard	1	ALL
	206248-2-10504								Pad Assembly	1	ALL
	206248-2-3700								Pad Assembly	1	ALL
- 84	18965-2								Strap Assembly - Tank mounting inboard	1	ALL
	206248-2-11108								Pad Assembly	1	ALL
	206248-2-3900								Pad Assembly	1	ALL
- 85	107464								Turnbuckle Assembly	2	ALL
									Attaching Parts		
- 86	AN393-11								Pin - Flat head 3/16 x 11/32 in.	2	ALL
	AN380-2-2								Pin - Cotter 1/16 x 1/2 in.	2	ALL
- 87	106043-0804										
	-100								Tube - Filler neck drain upper	1	ALL
- 88	189812								Tube - Filler neck drain lower	1	ALL
- 89	694-189711								Angle	4	ALL
- 90	206248-10										
	-0400								Pad Assembly	4	ALL
- 91	2MBA-6314**								Strip - Tank assembly (Center section rear LH only)	2	D
									**Part Number 2MBA-6314 may be used on installation for 3N, 3NM and 3TM Aircraft if required.		

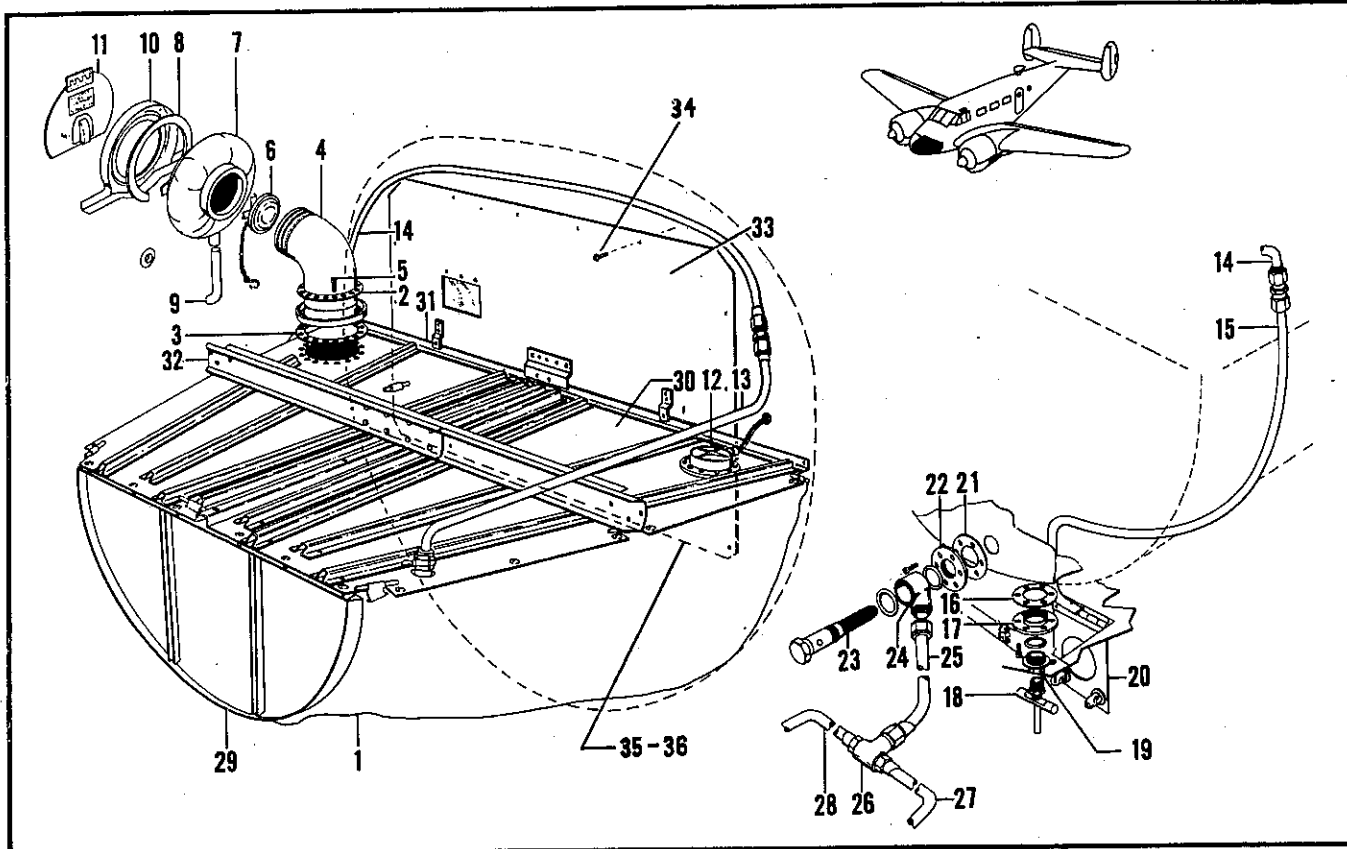


Figure 57 Nose Fuel Tank Installation

FIGURE and INDEX NUMBER	GROUP POWER PLANT							Units Per Ass'y	Usage on Code		
	MAJOR ASSEMBLY NOSE FUEL TANK INSTALLATION										
	PART NUMBER	1	2	3	4	5	6			7	NOMENCLATURE
57 -	404-189620								Tank Installation - Nose fuel (see Figure 1)	Ref	ALL
- 1	404-189612								Cell Assembly - Nose fuel	1	ALL
- 2	404-189613								Ring - Filler neck bearing	1	ALL
- 3	404-184415								Gasket - Nose tank filler neck	1	ALL
- 4	404-189616								Neck Assembly - Nose tank filler	1	ALL
									Attaching Parts		
- 5	AN502-416-8								Screw - Fillister head 1/4-28 x 1/2 in.	16	ALL
- 6	35-921526-12								Cap Assembly - Nose fuel tank	1	ALL
	RS106-060								Swivel Assembly C/W chains	1	ALL
									Attaching Parts		
	AN507-632-6								Screw	1	ALL
	NAS679A06								Nut	1	ALL
	AN960-6								Washer	1	ALL
	AN960-10								Washer	1	ALL
	AN393-19								Pin	1	ALL
	AN380-2-3								Pin Cotter	1	ALL
- 7	404-184417								Scupper - Nose fuel tank filler neck	1	ALL
- 8	404-189614								Seal - Nose fuel tank door	1	ALL
- 9	404-189617								Tube - Scupper drain	1	ALL

Figure and Index Number	Group POWER PLANT		Units per Assy	Usage on Code
	Major Assembly NOSE FUEL TANK INSTALLATION (Cont'd)			
	Part	1 2 3 4 5 6 7 Nomenclature		
57 - 10 - 11	404-189615	.Reinforcement - Nose fuel tank door	1	ALL
	644-189630	.Door Assembly - Nose fuel tank	1	ALL
	26JU/24519-1	.Spring	1	ALL
	26JU/B1220	.Bumper	1	ALL
- 12	28/MS20426AD 3-5	.Rivet	4	ALL
	404-184416	.Gasket - Nose tank liquidometer	1	ALL
	404-189715	.Tank Unit - Nose fuel tank	1	ALL
		Attaching Parts		
	AN502-416-10	.Screw - Fillister head 1/4-28 x 5/8 in.	5	ALL

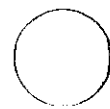
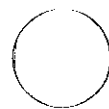


FIGURE and INDEX NUMBER	GROUP POWER PLANT							Units Per Ass'y	Usage on Code	
	MAJOR ASSEMBLY NOSE FUEL TANK INSTALLATION Cont'd									
	PART NUMBER	1	2	3	4	5	6 7			NOMENCLATURE
57 - 13	404-189830							Tube Assembly - Nose fuel tank vent upper	1	ALL
	AN815-8D							Union	1	ALL
- 14	404-189831							Tube Assembly - Nose fuel tank vent center	1	ALL
	AN815-8D							Union	1	ALL
- 15	404-189832							Tube Assembly - Nose fuel tank vent lower	1	ALL
- 16	404-184414							Gasket - Nose tank drain	1	ALL
- 17	184412							Adapter - Nose tank cartridge	1	ALL
	Attaching Parts									
	AN502-416-10							Screw - Fillister head 1/4-28 x 5/8 in.	6	ALL
	AN900-17							Gasket	1	ALL
- 18	404-189675							Cock Assembly - Drain	1	ALL
	CCA4900							Cock Assembly - Drain (Curtis Automotive Devices)	1	ALL
- 19	1MBA13331							Adapter - Drain cock assembly	1	ALL
- 20	404-189722							Door Assembly - Nose fuel tank drain	1	ALL
	404-189722-4							Hinge - Door half	1	ALL
	404-189722-6							Hinge - Door half	1	ALL
	105774-C-090							Pin - Hinge	1	ALL
	-00204									
- 21	404-184414							Gasket - Nose tank outlet	1	ALL
- 22	404-184412							Adapter - Nose tank strainer	1	ALL
	Attaching Parts									
	AN502-416-10							Screw - Fillister head 1/4-28 x 5/8 in.	6	ALL
- 23	189004							Strainer Assembly - Lower nose fuel tank	1	ALL
- 24	AN778-10D							Elbow	1	ALL
	AN901-10A							Gasket	2	ALL
- 25	404-189833							Tube Assembly - Nose tank fuel supply	1	ALL
- 26	AN824-10D							Tee	1	ALL
- 27	404-189835							Tube Assembly - Fuel supply RH	1	ALL
- 28	404-189834							Tube Assembly - Fuel supply LH	1	ALL
	AN822-10D							Elbow - 90-degree	2	ALL
- 29	404-184419							Web Assembly - No. 1 bulkhead	1	ALL
- 30	404-189611-2							Cover Assembly - Nose fuel tank LH	1	ALL
- 31	404-189611-8							Cover Assembly - Nose fuel tank RH	1	ALL
- 32	404-189603							Channel Assembly - Nose fuel tank	1	ALL
	Attaching Parts									
	AN3-3A							Bolt - Aircraft No. 10-32 x 3/8 in.	14	ALL
	AN365-1032							Nut - Self locking No. 10-32	14	ALL
- 33	404-184036-2							Panel Assembly - Nose fuel tank bulkhead	1	ALL
	Attaching Parts									
- 34	AN526-832-8							Screw - Truss head No. 8-32 x 5/8 in.	12	ALL
- 35	404-184036-4							Panel Assembly - Nose fuel tank bulkhead	1	ALL
	Attaching Parts									
- 36	AN526-832-8							Screw - Truss head No. 8-32 x 5/8 in.	8	ALL

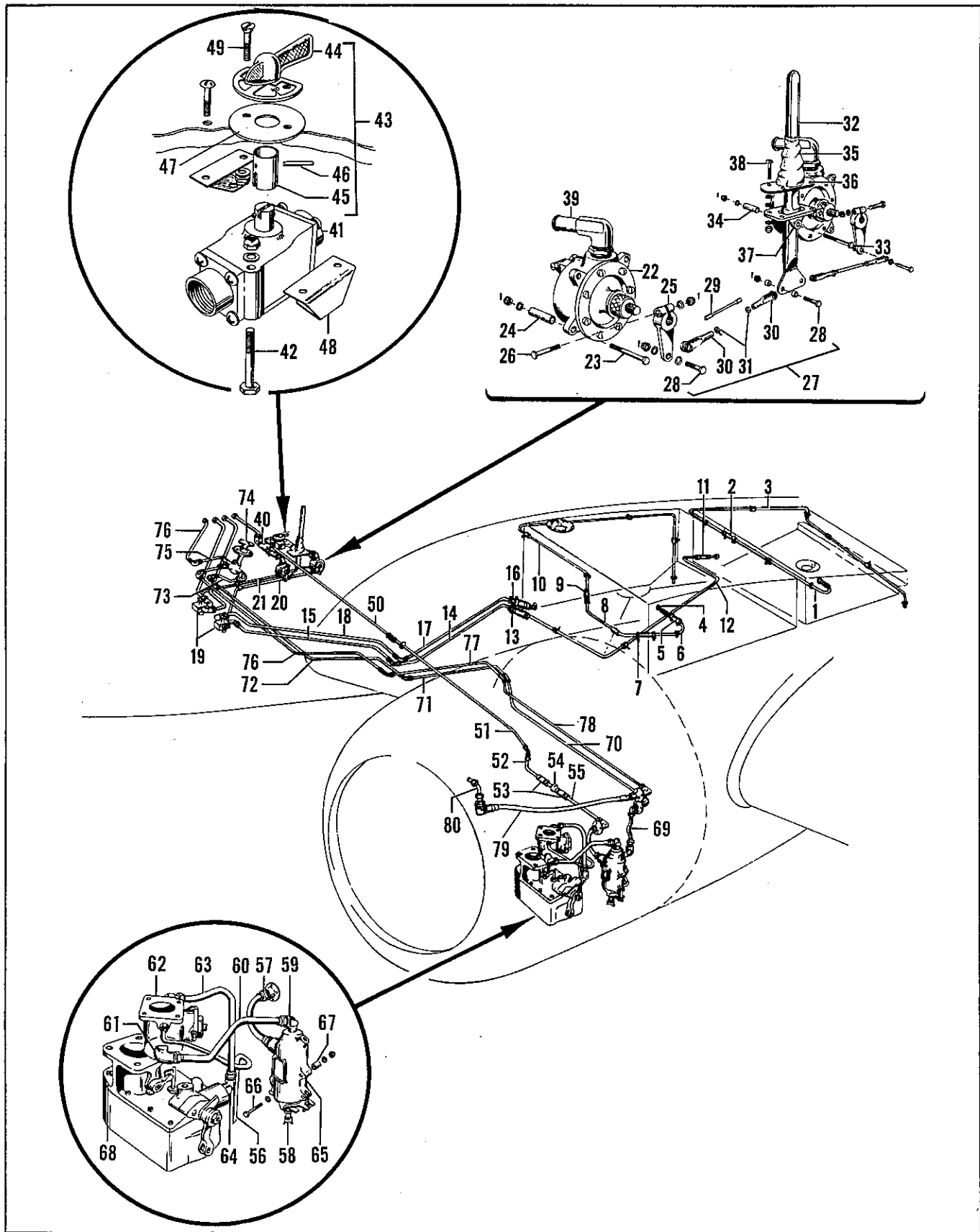


Figure 58. Fuel System Installation



FIGURE and INDEX NUMBER	GROUP POWER PLANT						Units Per Ass'y	Usage on Code		
	MAJOR ASSEMBLY FUEL SYSTEM INSTALLATION									
	PART NUMBER	1	2	3	4	5			6	7
58 -	189767							Line Installation - Wing fuel tank vent LH ( See Figure 1)	Ref	ALL
	189767-1							Line Installation - Wing fuel tank vent RH (See Figure 1)	Ref	ALL
- 1	AAF811FT-6NS							Nipple - Rear Tank (1 LH and 1 RH)	2	ALL
	189793							Tube Assembly - Rear tank vent front	1	ALL
	AN931-6-10							Grommet	1	ALL
- 2	106200H-8-15							Hose	1	ALL
	AGS605-00							Clamp	2	ALL
- 3	404-189783							Tube - Rear tank vent rear LH	1	ALL
	404-189787							Tube - Rear tank vent rear RH	1	ALL
	AN931-6-10							Grommet	1	ALL
	AAF811FT-6NS							Nipple - Main Tank ( 1 LH and 1 RH)	2	ALL
- 4	189814							Tube Assembly - Main tank vent	1	ALL
- 5	106200H-8-15							Hose	1	ALL
	AGS605-00							Clamp	2	ALL
- 6	189813							Tube - Main tank vent	1	ALL
- 7	106200H-8-15							Hose	1	ALL
	AGS605-00							Clamp	2	ALL
- 8	189794							Tube - Main tank vent	1	ALL
- 9	106200H-8-15							Hose	1	ALL
	AGS605-00							Clamp	2	ALL
- 10	189792							Tube - Main tank vent rear LH	1	ALL
	189773							Tube - Main tank vent rear RH	1	ALL
	AN931-11-16							Grommet	1	ALL
	AN931-6-10							Grommet	1	ALL
	644-189600							System Installation - Body fuel ( See Figure 1)	Ref	ALL
	AN842-10							Elbow - 90 - degree ( Rear tank 1 LH and 1 RH)	2	ALL
- 11	AN844-10-11							Hose	1	ALL
	AGS605-0							Clamp - Hose	2	ALL
- 12	407-189688							Tube - Aft fuel tank wing section LH	1	ALL
	407-189728							Tube - Aft fuel tank wing section RH	1	ALL
- 13	AN844-10-15							Hose	1	ALL
	AGS605-0							Clamp - Hose	2	ALL
- 14	407-189687							Tube Assembly - Aft fuel tank center section LH	1	ALL
	407-189729							Tube Assembly - Aft fuel tank center section RH	1	ALL
	AN837-10D							Elbow - 45 - degree	1	ALL
	108492-A1416									
	-116							Washer	2	ALL
	AN924-4D							Nut	1	ALL
- 15	407-189684							Tube Assembly - Aft tank fuel belly selector LH	1	ALL
	407-189683							Tube Assembly - Aft tank fuel belly selector RH	1	ALL
	AN844-10							Elbow - 45 - degree - Main fuel tank ( 1 LH and 1 RH)	2	ALL
- 16	AN844-10-11							Hose	1	ALL
	AGS605-0							Clamp - Hose	1	ALL
- 17	407-189689							Tube Assembly - Main fuel tank center section LH	1	ALL

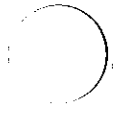
FIGURE and INDEX NUMBER	GROUP POWER PLANT							Units Per Ass'y	Usage on Code	
	MAJOR ASSEMBLY FUEL SYSTEM INSTALLATION Cont'd									
	PART NUMBER	1	2	3	4	5	6 7			NOMENCLATURE
58 -	407-189730							Tube Assembly - Main fuel tank center section RH	1	ALL
	AN833-10D							Elbow - 90 Degree	1	ALL
	AN960-A1416							Washer - Plain 7/8 in.	2	ALL
	AN924-10D							Nut	1	ALL
- 18	407-189682							Tube Assembly - Main tank fuel selector belly LH	1	ALL
	407-189685							Tube Assembly - Main tank fuel selector belly RH	1	ALL
- 19	TCB-15200-4							Valve - Fuel (TP) (1 LH and 1 RH)	2	ALL
								Attaching Parts		
	AN520-10-20							Screw - Round head No. 10-32 x 1-1/4 in.	4	ALL
	AN960-10							Washer - Plain No. 10	4	ALL
	AN365-1032							Nut - Self locking No. 10-32	4	ALL
	AN822-10D							Elbow - 90 - degree (2 per valve)	4	ALL
- 20	AN823-100							Elbow - 45 degree (1 per valve)	2	ALL
- 21	407-189681							Tube Assembly - Fuel selector wobble pump LH	1	ALL
- 21	407-189679							Tube Assembly - Fuel selector wobble pump RH	1	ALL
	AN822-10D							Elbow - 90 - degree (1 per pump)	2	ALL
- 22	U550-BE*							Pump - Fuel wobble (UNA)	2	ALL
	RXD1563-1*							Pump - Fuel wobble (RO)	2	ALL
								Attaching Parts		
- 23	AN3-11							Bolt - Aircraft No. 10-32 x 1-1/8 in.	4	ALL
	AN3-26							Bolt - Aircraft No. 10-32 x 2-25/32 in.	4	ALL
- 24	189736							Spacer	4	ALL
	AN960-10							Washer - Plain No. 10	4	ALL
	AN960-10L							Washer - Plain No. 10	4	ALL
	AN310-3							Nut - Castellated No. 10-32	4	ALL
	AN380-2-2							Pin - Cotter 1/16 x 1/2 in.	4	ALL
- 25	189740							Arm - Wobble pump actuator (1 per pump)	2	ALL
								Attaching Parts		
- 26	AN4-12							Bolt - Aircraft 1/4-28 x 1-1/4 in.	1	ALL
	AN960-416							Washer - Plain 1/4 in.	1	ALL
	AN310-4							Nut - Castellated 1/4 -28	1	ALL
	AN380-2-2							Pin - Cotter 1/16 x 1/2 in.	1	ALL
- 27	404-189731							Link Assembly - Wobble pump (1 per pump)	2	ALL
								Attaching Parts		
- 28	AN23-12							Bolt - Clevis No. 10-32 x 7/16 in.	2	ALL
	189738							Bushing	1	ALL
	AN960-10L							Washer - Plain No. 10	5	ALL
	AN310-3							Nut - Castellated No. 10-32	2	ALL
	AN380-2-2							Pin - Cotter 1/16 x 1/2 in.	2	ALL
- 29	404-189731-2							Rod - Wobble pump	1	ALL
- 30	189302							Clevis - Wobble pump	2	ALL

FIGURE and INDEX NUMBER	GROUP POWER PLANT							Units Per Ass'y	Usage on Code	
	MAJOR ASSEMBLY FUEL SYSTEM INSTALLATION Cont'd									
	PART NUMBER	1	2	3	4	5	6 7			NOMENCLATURE
58 - 31	AN315-3R							Nut - Check No. 10-32	2	ALL
- 32	407-189637							Handle Assembly - Wobble Pump	1	ALL
								Attaching Parts		
- 33	AN3-16							Bolt - Aircraft No. 10-32 x 1-3/4 in.	1	ALL
- 34	189737							Bushing	1	ALL
	AN960-10							Washer - Plain No. 10	1	ALL
	AN310-3							Nut - Castellated No. 10-32	1	ALL
	AN380-2-2							Pin - Cotter 1/16 x 1/2 in.	1	ALL
	407-189638							Lever Assembly - Wobble pump lower	1	ALL
	407-189639							Handle Assembly - Wobble pump upper	1	ALL
	AN393-29							Pin - Flat head 3/16 x 29/32 in.	1	ALL
- 35	189739							Boot - Wobble pump handle	1	ALL
- 36	180067							Placard	1	ALL
- 37	189732							Support - Wobble pump handle	1	ALL
								Attaching Parts		
- 38	AN526-8-20							Screw - Brazier head No. 8-32 x 1-1/4 in.	4	ALL
	AN960-8							Washer - Plain No. 8	12	ALL
	AN365-832							Nut - Self locking No. 8-32	4	ALL
- 39	AN842-10D							Elbow - 90 - degree (1 per pump)	2	ALL
- 40	AN884-10-16							Hose	2	ALL
	AGS605-0							Clamp - Hose	4	ALL
	AN840-10D							Adapter - RH	1	ALL
	AN844-10D							Elbow - 45 - degree LH	1	ALL
	AN917-4D							Tee	2	ALL
	AN911-4							Nipple	1	ALL
- 41	404-189669							Valve Assembly - Suction cross-feed	1	ALL
								OR		
	404-189669-604							Valve Assembly - Suction cross-feed (use for spare part)	1	ALL
								Attaching Parts		
- 42	AN3-20A							Bolt - Aircraft No. 10-32 x 2 in.	2	ALL
	AN960-10							Washer - Plain No. 10	2	ALL
	AN365-1032							Nut - Self locking No. 10-32	2	ALL
- 43	404-189759							Handle Assembly - Suction cross-feed valve	1	ALL
- 44	404-189759-2							Handle - Suction cross-feed valve	1	ALL
- 45	404-189758							Adapter - Suction cross-feed valve handle	1	ALL
- 46	AN392-23							Pin - Flat head 1/8 x 23/32 in.	1	ALL
- 47	404-189704							Plate - Fuel cock dial	1	ALL
- 48	404-189776							Bracket - Suction cross-feed valve	2	ALL
								Attaching Parts		
- 49	AN505-8-16							Screw - Flat head No. 8-32 x 1 in.	2	ALL
	AN526-8-14							Screw - Brazier head No. 8-32 x 7/8 in.	2	ALL
	AN960-8							Washer - Plain No. 8	4	ALL
	AN365-832							Nut - Self locking No. 8-32	4	ALL
	AN822-10D							Elbow - 90 degree LH	1	ALL

FIGURE and INDEX NUMBER	GROUP POWER PLANT							Units Per Ass'y	Usage on Code	
	MAJOR ASSEMBLY			FUEL SYSTEM INSTALLATION Cont'd						
	PART NUMBER	1	2	3	4	5	6 7			NOMENCLATURE
58 -	AN823-10D							Elbow - 45 - degree RH	1	ALL
- 50	644-189603							Tube Assembly - Engine fuselage LH	1	ALL
	407-189604							Tube Assembly - Engine fuselage RH	1	ALL
	AN815-10D							Union	1	ALL
- 51	407-189686							Tube Assembly - Engine fuel center section LH	1	ALL
	407-189731							Tube Assembly - Engine fuel center section RH	1	ABC
	AN837-10D							Elbow - 45 degree	1	ALL
	AN960-A1416							Washer - Plain 7/8 in.	2	ALL
	AN924-10D							Nut	1	ALL
- 52	407-189732							Tube Assembly - Engine fuel nacelle LH	1	ALL
	407-189733							Tube Assembly - Engine fuel nacelle RH	1	ALL
	2MBA13501							Tube Assembly - Engine fuel nacelle RH	1	D
- 53	AN884-10-11							Hose	2	ALL
	AGS605-0							Clamp - Hose	4	ALL
- 54	W1500-5/8D							Valve - Check (WIT) (1 LH and 1 RH)	2	ALL
- 55	407-189747							Tube Assembly - Engine fuel nacelle outboard RH	1	ALL
	AN842-10D							Elbow - 90 - degree LH	1	ALL
	AN823-10D							Elbow - 45 - degree RH	1	ALL
	644-189610							Piping Installation - Engine section fuel LH ( See Figure 1)	Ref	ALL
	644-189610-1							Piping Installation - Engine section fuel RH ( See Figure 1)	Ref	ALL
- 56	AN823-4							Elbow - 45 - degree	1	ALL
	84-189323							Tube Assembly - Fuel pump drain	1	ALL
	AN816-10D							Nipple	1	ALL
- 57	694-189702-6							Tube Assembly - Firewall to strainer	1	ALL
	AN823-10D							Elbow - 45 - degree	1	ALL
- 58	K1700B-2							Cock - Drain (KOE)	1	ALL
- 59	AN822-10D							Elbow - 90 - degree	1	ALL
- 60	AN6264-10D-15							Hose Assembly - LH	1	ALL
	AN6264-10D-27							Hose Assembly - RH	1	ALL
- 61	AN822-10D							Elbow - 90 - degree	1	ALL
	AN912-7							Bushing	1	ALL
- 62	TF-900-1							Pump - Fuel (TP) (See Figure 37)	Ref	ALL
	AN912-8							Bushing	1	ALL
	AN822-8D							Elbow - 90 - degree	1	ALL
- 63	AN6264-8D-15							Hose Assembly	1	ALL
- 64	AN823-8							Elbow - 45 - degree	1	ALL
- 65	No Number							Strainer - Fuel (Type C-2A) (AS) ( 1 LH and 1 RH)	2	ALL
		Attaching Parts								
- 66	AN4-30A							Bolt - Aircraft 1/4-28 x 3 in.	2	ALL
- 67	S-246							Spacer	2	ALL
	AN960-416							Washer - Plain 1/4 in.	4	ALL
	AN365-428							Nut - Self locking 1/4 - 28	2	ALL
- 68	NAR9B-19							Carburettor - (ST) (See Figure 37)	Ref	ALL

FIGURE and INDEX NUMBER	GROUP POWER PLANT							Units Per Ass'y	Usage on Code	
	MAJOR ASSEMBLY FUEL SYSTEM INSTALLATION Cont'd.									
	PART NUMBER	1	2	3	4	5	6 7			NOMENCLATURE
58 -	644-189750	Piping Installation - Engine primer (see Figure 1)							Ref	ALL
- 69	AN823-4	Elbow - 45-degree							1	ALL
	MS28741-4									
	-0080	Hose Assembly							1	ALL
	AN822-4D	Elbow - 90-degree							2	ALL
- 70	644-189752	Tube Assembly - Engine primer intake nacelle							1	ALL
	AN837-4D	Elbow - 45-degree							1	ALL
	AN960-A716	Washer - Plain 7/16 in.							2	ALL
	AN924-4D	Nut							1	ALL
- 71	404-189653	Tube Assembly - Engine primer intake center section							1	ALL
	AN833-4D	Elbow - 90-degree							1	ALL
	AN960-A716	Washer - Plain 7/16 in.							2	ALL
	AN924-4D	Nut							1	ALL
- 72	894-189665	Tube Assembly - Engine primer fuselage inlet							1	ALL
	AN833-4D	Elbow - 90-degree							1	ALL
	AN960-A716	Washer - Plain 7/16 in.							2	ALL
	AN924-4D	Nut							1	ALL
- 73	404-189662	Tube Assembly - Engine primer pedestal intake							1	ALL
- 74	401-2A	Primer - Engine fuel (PA) (see Figure 54)							Ref	ALL
	AN823-4D	Elbow - 45-degree							3	ALL
- 75	404-189660	Tube Assembly - Engine primer pedestal LH							1	ALL
	404-189666	Tube Assembly - Engine primer pedestal RH							1	ALL
	AN837-4D	Elbow - 45-degree LH							1	ALL
	AN833-4D	Elbow - 90-degree RH							1	ALL
	AN960-A716	Washer - Plain 7/16 in.							4	ALL
	AN924-4D	Nut							2	ALL
- 76	894-189666	Tube Assembly - Engine primer fuselage LH							1	ALL
	894-189667	Tube Assembly - Engine primer fuselage RH							1	ALL
	AN833-4D	Elbow - 90-degree							2	ALL
	AN960-A716	Washer - Plain 7/16 in.							4	ALL
	AN924-4D	Nut							2	ALL
- 77	404-189657	Tube Assembly - Engine primer center section LH							1	ALL
	404-189748	Tube Assembly - Engine primer center section RH							1	ALL
	AN837-4D	Elbow - 45-degree							2	ALL
	AN960-A716	Washer - Plain 7/16 in.							4	ALL
	AN924-4D	Nut							2	ALL
- 78	644-189751	Tube Assembly - Engine primer nacelle LH							1	ALL
	404-189747	Tube Assembly - Engine primer nacelle RH							1	ALL
	AN822-4D	Elbow - 90-degree							2	ALL
	AN816-4D	Nipple							2	ALL
- 79	AN6264-4									
	-25-1/2	Hose Assembly - Engine primer engine section							2	ALL
	AN833-4	Elbow - 90-degree							2	ALL
	105090-CR-									
	032-7-116	Washer							4	ALL

FIGURE and INDEX NUMBER	GROUP POWER PLANT							Units Per Ass'y	Usage on Code		
	MAJOR ASSEMBLY			FUEL SYSTEM INSTALLATION Cont'd							
	PART NUMBER	1	2	3	4	5	6			7	NOMENCLATURE
58 - - 80	AN924-4 644-189754 AN822-4								Nut Tube Assembly Elbow - 90 - degree	2 2 2	ALL ALL ALL
									* These parts are interchangeable		



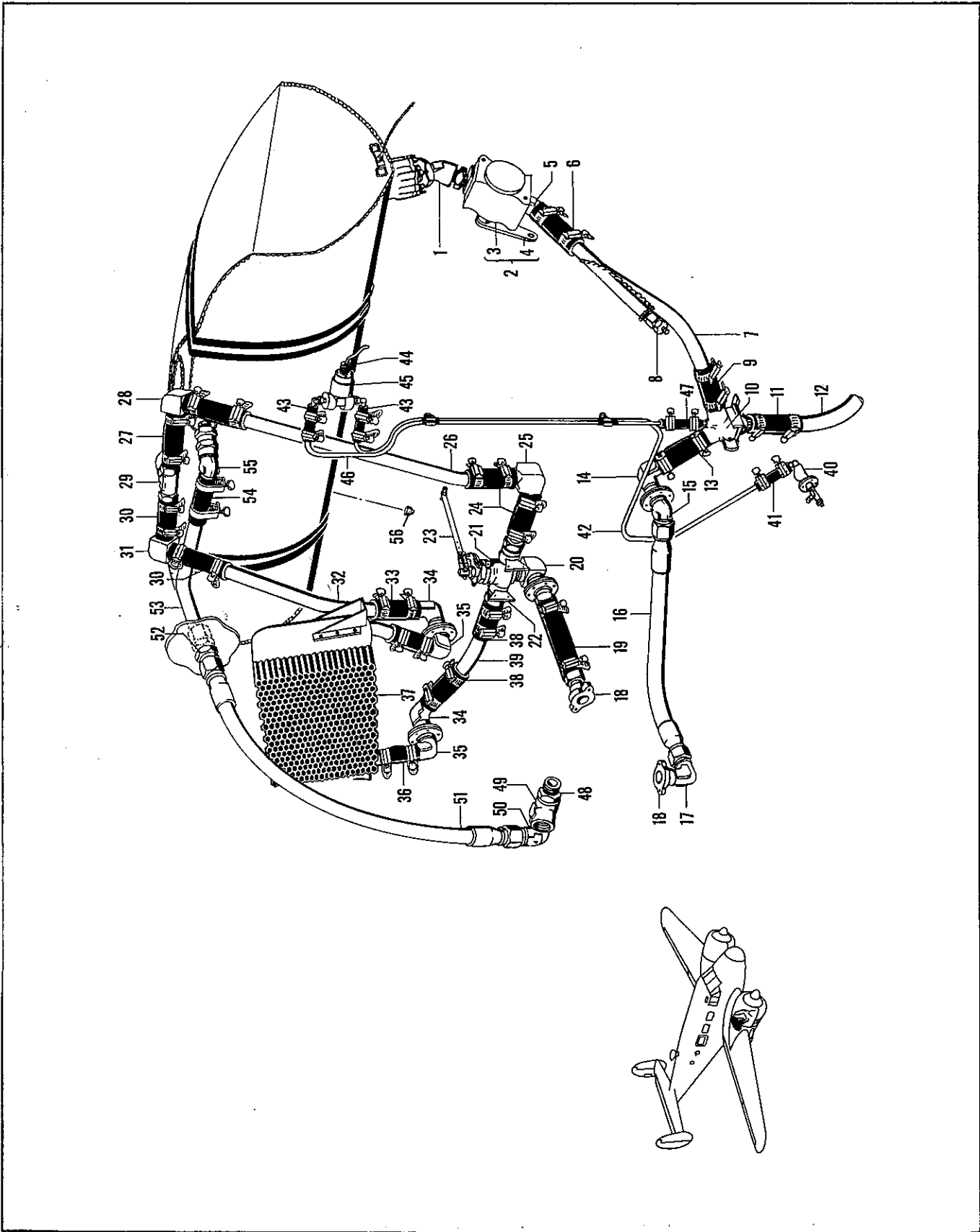


Figure 59. Nacelle Oil System Installation



FIGURE and INDEX NUMBER	GROUP POWER PLANT							Units Per Ass'y	Usage on Code	
	MAJOR ASSEMBLY NACELLE OIL SYSTEM INSTALLATION									
	PART NUMBER	1	2	3	4	5	6 7			NOMENCLATURE
59 -	644-189740							System Installation - Nacelle oil LH (see Figure 1)	Ref	ALL
	644-189740-1							System Installation - Nacelle oil RH (see Figure 1)	Ref	ALL
	AN912-13D							Bushing	1	ALL
- 1	AN916-6D							Elbow - 45 degree	1	ABC
	AN844-16D							Elbow - 45 degree	1	D
	AN911-6D							Nipple	1	ABC
- 2	404-189791							Valve Assembly - Oil shut-off LH	1	ABC
	404-189791-1							Valve Assembly - Oil shut-off RH	1	ABC
- 3	404-189791-2							Valve - Oil shut-off	1	ABC
- 4	404-189792							Arm Assembly - Oil shut-off valve	1	ABC
	Attaching Parts									
	AN392-21							Pin - Flat head 1/8 x 21/32 in.	1	ALL
	AN380-2-2							Pin - Cotter 1/16 x 1/2 in.	1	ALL
- 5	AN844-16D							Elbow - 45 degree	1	ABC
- 6	106200-H-16-20							Hose	1	ALL
	AGS605-1							Clamp - Hose	2	ALL
- 7	404-189744							Tube Assembly - Oil tank outlet LH	1	ABC
	84-189744							Tube Assembly - Oil tank outlet LH	1	D
	404-189752							Tube Assembly - Oil tank outlet RH	1	ABC
	84-189752							Tube Assembly - Oil tank outlet RH	1	D
- 8	AN5525-2							Bulb - Oil temperature resistance	1	ALL
	173-62							Gasket - (PR)	1	ALL
- 9	106200-H-16-13							Hose	1	ALL
	AGS605-1							Clamp - Hose	2	ALL
- 10	K1400B-4							Drain - Oil "Y" (KOE)	1	ALL
	Attaching Parts									
	AN3-24A							Bolt - Aircraft No. 10-32 x 2-1/2 in.	2	ALL
	189749P							Spacer	2	ALL
	AN960-10							Washer - Plain No. 10	2	ALL
	AN365-1032							Nut - Self locking No. 10-32	2	ALL
- 11	106200-H-20-13							Hose	1	ABC
	AGS605-1							Clamp - Hose	2	ALL
- 12	900-189757							Tube - Oil Drain	1	ABC
	704-189757							Tube - Oil Drain	1	D
- 13	106200-H-16-17							Hose	1	ALL
	AGS605-1							Clamp - Hose	2	ALL
- 14	AN842-16D							Elbow - 90 degree	1	ALL
- 15	AN823-16-12D							Elbow - 45 degree	1	ALL
- 16	AN6264-16D									
	-12-3/4							Hose Assembly - Engine oil inlet LH	1	ALL
	AN6264-16D									
	-11-1/4							Hose Assembly - Engine oil inlet RH	1	ALL
- 17	AN822-16-12D							Elbow - 90 degree	1	ALL
- 18	A10898							Flange - Engine (PW)	2	ALL

FIGURE and INDEX NUMBER	GROUP POWER PLANT							Units Per Ass'y	Usage on Code	
	MAJOR ASSEMBLY NACELLE OIL SYSTEM INSTALLATION Cont'd									
	PART NUMBER	1	2	3	4	5	6 7			NOMENCLATURE
59 - 18	AN840-16D							Adapter	1	ALL
- 19	106200H-16-19							Hose	1	ALL
	AGS605-1							Clamp - Hose	2	ALL
	AN840-16D							Adapter	1	ALL
- 20	404-189807							Elbow - 90 - degree	1	ALL
- 21	S-80							Valve - Oil by-pass	1	ALL
	Attaching Parts									
	AN3-11A							Bolt - Aircraft No. 10-32 x 1-1/8 in.	2	ALL
	AN960-10							Washer - Plain No. 10	2	ALL
	AN365-1032							Nut - Self locking No. 10-32	2	ALL
- 22	18S9753							Bracket - Oil by-pass support	2	ALL
	Attaching Parts									
	AN3-4A							Bolt - Aircraft No. 10-32 x 1/2 in.	4	ALL
	AN960-10							Washer - Plain No. 10	4	ALL
	AN365-1032							Nut - Self locking No. 10-32	4	ALL
- 23	18S992							Arm - Oil by-pass control	1	ALL
	Attaching Parts									
	AN3-10							Bolt - Aircraft No. 10-32 x 1 in.	1	ALL
	AN310-3							Nut - Castellated No. 10-32	1	ALL
	AN380-2-2							Pin - Cotter 1/16 x 1/2 in.	1	ALL
	AN840-16							Adapter	1	ALL
- 24	106200-H-16-12							Hose	2	ALL
	AGS605-1							Clamp - Hose	4	ALL
- 25	AN847-16D							Elbow - 90 - degree	1	ALL
- 26	94-189741							Tube - Oil tank inlet	1	ALL
- 27	106200-H-16-12							Hose	2	ALL
	AGS605-1							Clamp - Hose	4	ALL
- 28	AN847-16D							Elbow - 90 - degree	1	ALL
	AN840-16D							Adapter	2	ALL
- 29	AN917-6D							Tee	1	ALL
	AC895-64*							Nipple - Oil tank	1	ALL
	AN911-6*							Nipple	1	ALL
- 30	106200-H-16-12							Hose	2	ALL
	AGS605-1							Clamp - Hose	4	ALL
- 31	AN847-16D							Elbow - 90 - degree	1	ALL
- 32	94-189742							Tube - Oil radiator outlet	1	ALL
- 33	106200-H-16-12							Hose	1	ALL
	AGS605-1							Clamp - Hose	2	D
- 34	AN842-16D							Elbow - 90 - degree	2	ALL
- 35	109639							Elbow - 90 - degree	2	ALL
- 36	106200H-16-12							Hose	2	ALL
	AGS605-1							Clamp - Hose	4	ALL
- 37	94-189850							Radiator - Oil LH	1	ALL
	94-189850-1							Radiator - Oil RH	1	ALL
	Attaching Parts									
	* These parts are interchangeable									

FIGURE and INDEX NUMBER	GROUP POWER PLANT							Units Per Ass'y	Usage on Code	
	MAJOR ASSEMBLY NACELLE OIL SYSTEM INSTALLATION Cont'd									
	PART NUMBER	1	2	3	4	5	6 7			NOMENCLATURE
59 -	AN4-5							Bolt - Aircraft 1/4 - 28 x 5/8 in.	4	ALL
	AN310-4							Nut - Castellated 1/4-28	4	ALL
	AN380-2-2							Pin - Cotter 1/16 x 1/2 in.	4	ALL
- 38	106200-H-16-12							Hose	2	ALL
	AGS605-1							Clamp - Hose	4	ALL
- 39	704-189747							Tube - Oil radiator inlet	1	ALL
- 40	AN4077-1							Fitting - Oil dilution restricted fuel	1	ALL
	AN842-4D							Elbow - 90 - degree	1	ALL
- 41	106200-H-4-12							Hose	1	ALL
	AGS605-00							Clamp - Hose	2	ALL
- 42	84-189743							Tube - Oil dilution LH	1	ALL
	644-189748							Tube Assembly - Oil dilution lower RH	1	ALL
	AN815-4D							Union - RH only	1	ALL
	644-189749							Tube Assembly - Oil dilution upper RH	1	ALL
- 43	106200H-4-12							Hose	2	ALL
	AGS605-00							Clamp - Hose	4	ALL
- 44	37D6210							Valve - Oil dilution	1	ALL
- 45	18S9741P							Bracket - Oil dilution valve support	1	ALL
	Attaching Parts									
	AN515-8-8							Screw - Round head No. 8-32 x 1/2 in.	4	ALL
	AN960-8							Washer - Plain No. 8	4	ALL
	AN365-832							Nut - Self locking No. 8-32	4	ALL
- 46	84-189742							Tube - Oil dilution LH	1	ALL
	84-189749							Tube - Oil dilution RH	1	ALL
- 47	106200H-4-12							Hose	1	ALL
	AGS605-00							Clamp - Hose	2	ALL
	AN840-4D							Adapter	1	ALL
- 48	AN911-3D							Nipple	1	ALL
- 49	AN917-3D							Tee	1	ALL
- 50	AN822-8D							Elbow - 90 - degree	1	ALL
	MS28741-8-19*							Hose Assembly - Oil tank case vent	1	ALL
- 51	MS28741-8-16**							Hose Assembly - Oil tank case vent	1	ALL
- 52	AN832-8D							Union	1	ALL
	AN924-8D							Nut	1	ALL
- 53	644-189747							Tube Assembly - Crankcase vent	1	ALL
- 54	106200H-8-15							Hose	1	ALL
	AGS605-0							Clamp	2	ALL
- 55	AN842-8D							Elbow - 90 - degree	1	ALL
	AN910-3D							Coupling	1	ALL
	AN911-3							Nipple	1	ALL
- 56	AN913-2							Plug	1	ALL
	* Use on Aircraft equipped with Bosch Magneto									
	** Use on aircraft equipped with Scintilla Magneto									

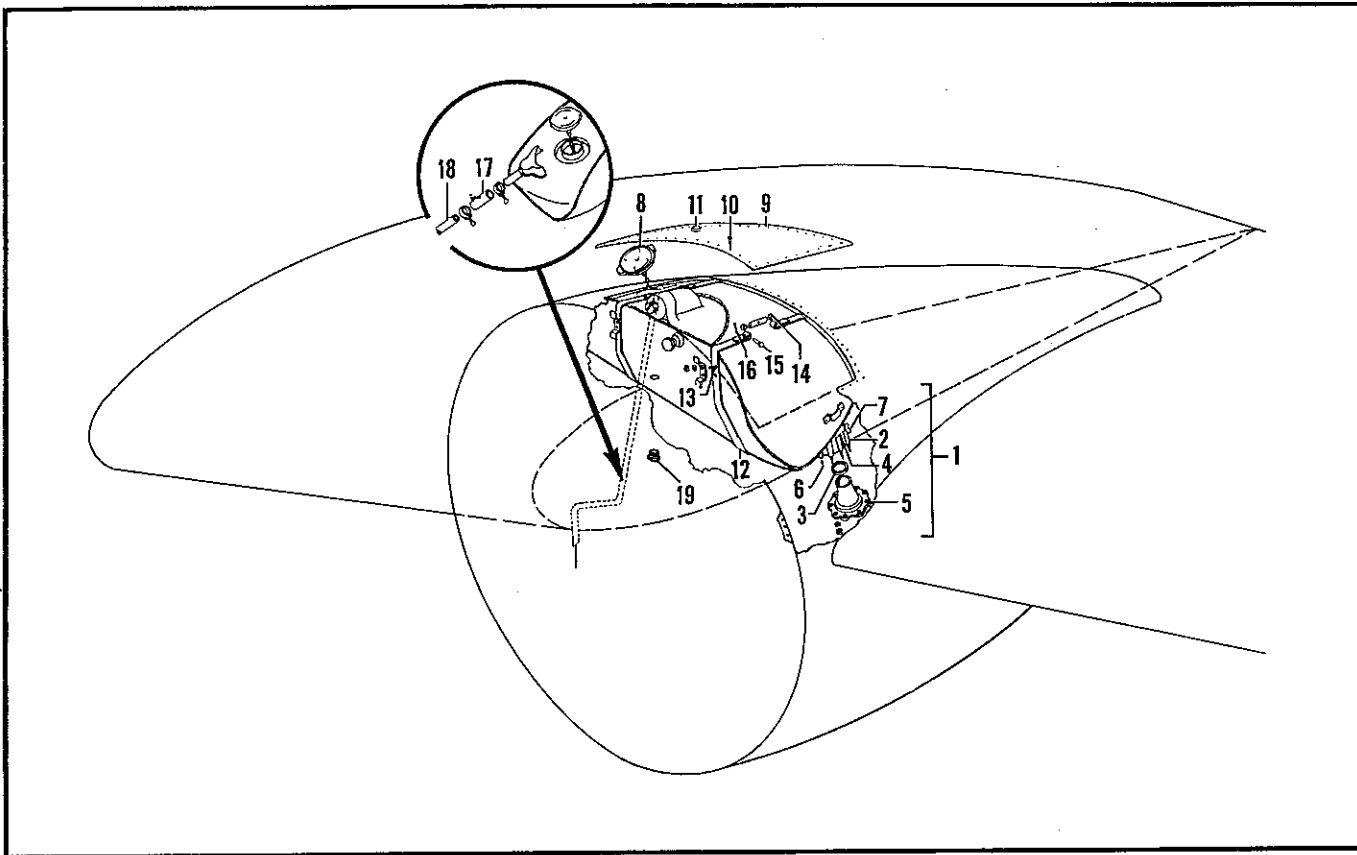


Figure 60. Nacelle Oil Tank Installation

FIGURE and INDEX NUMBER	GROUP POWER PLANT							Units Per Ass'y	Usage on Code	
	MAJOR ASSEMBLY NACELLE OIL TANK INSTALLATION									
	PART NUMBER	1	2	3	4	5	6 7			NOMENCLATURE
60 - - 1	404-189800L							Tank Installation - Nacelle oil LH (See Figure 1)	REF	ALL
	404-189800R							Tank Installation - Nacelle oil RH (See Figure 1)	REF	ALL
	644-189017-1							Tank Assembly - Oil LH OR	1	ALL
	644-189017-601							Tank Assembly - Oil LH (use for spare part - consists of tank, drain cock, scupper drain tube hose)	1	ALL
	644-189017-2							Tank Assembly - Oil RH OR	1	ALL
	644-189017-602							Tank Assembly - Oil RH (use for spare part - consists of tank, drain cock, scupper drain tube hose)	1	ALL
- 2	404-189808*							Housing - Tank sump	1	ALL
	37B5944*							Housing - Tank sump	1	ALL
* These parts are interchangeable										

Figure and Index Number	Group POWER PLANT							Units per Assy	Usage on Code	
	Major Assembly NACELLE OIL TANK INSTALLATION Cont'd									
	Part	1	2	3	4	5	6			7
60 - 3	AN6230-5*	:	:	Gasket	:	:	Tank sump housing	1	ALL	
	37A5949*	:	:	Gasket	:	:	Tank sump housing	1	ALL	
- 4	644-189014	:	:	Boss	:	:	Oil tank	1	ALL	
- 5	404-189804	:	:	Flange	:	:	Tank sump	1	ALL	
		Attaching Parts								
- 6	S190-4C-106	:	:	Stud	:	:	Tank sump	8	ALL	
	AN960-416	:	:	Washer	:	:	Plain 1/4 in.	8	ALL	
	AN365-428	:	:	Nut	:	:	Self locking 1/4-28	8	ALL	
- 7	AN771-2	:	:	Cock	:	:	Drain	1	ABC	
- 8	111-66016	:	:	Cap Assembly	:	:	Oil tank, pressure relief type, BAW	1	ALL	
		Attaching Parts								
	28NS RS106-080	:	:	Swivel Chains Assembly	:	:		1	ALL	
	28 AN4164	:	:	Pin Safety	:	:		1	ALL	
	32E/91	:	:	Sheathing Plastic	:	:		AR	ALL	
- 9	404-189800-1L	:	:	Sheet	:	:	Tank access cover LH	1	ALL	
	404-189800-1R	:	:	Sheet	:	:	Tank access cover RH	1	ALL	
		Attaching Parts								
- 10	AN526-6-6	:	:	Screw	:	:	Truss head No. 6-32 x 3/8 in.	60	ALL	
- 11	189817	:	:	Door Assembly	:	:	Filler neck	1	ALL	
- 12	189670P	:	:	Strap	:	:	Oil tank	2	ALL	
	18970P-601	:	:	Strap	:	:	Oil tank (use for spare part - consists of strap and turnbuckle)	1	ALL	
		Attaching Parts								
- 13	S-162	:	:	Bolt	:	:	Strap attaching	4	ALL	
	AN960-10	:	:	Washer	:	:	Plain No. 10	4	ALL	
	AN365-1032	:	:	Nut	:	:	Self locking No. 10-32	4	ALL	
- 14	107464	:	:	Turnbuckle Assembly	:	:		2	ALL	
		Attaching Parts								
- 15	AN393-21	:	:	Pin	:	:	Flat head 3/16 x 21/32 in.	4	ALL	
- 16	AN380-2-2	:	:	Pin	:	:	Cotter 1/16 x 1/2 in.	4	ALL	
- 17	105211-6-023	:	:	Hose	:	:		1	ALL	
	FBA-4	:	:	Clamp	:	:	Hose	2	ABC	
	AGS605-00	:	:	Clamp	:	:		1	D	
- 18	189806	:	:	Tube	:	:	Scupper drain LH	1	ALL	
	189807	:	:	Tube	:	:	Scupper drain RH	1	ALL	
- 19	AN913-2	:	:	Plug	:	:	Belly Boss (See Figure 59)	REF	ALL	
		* These parts are interchangeable								

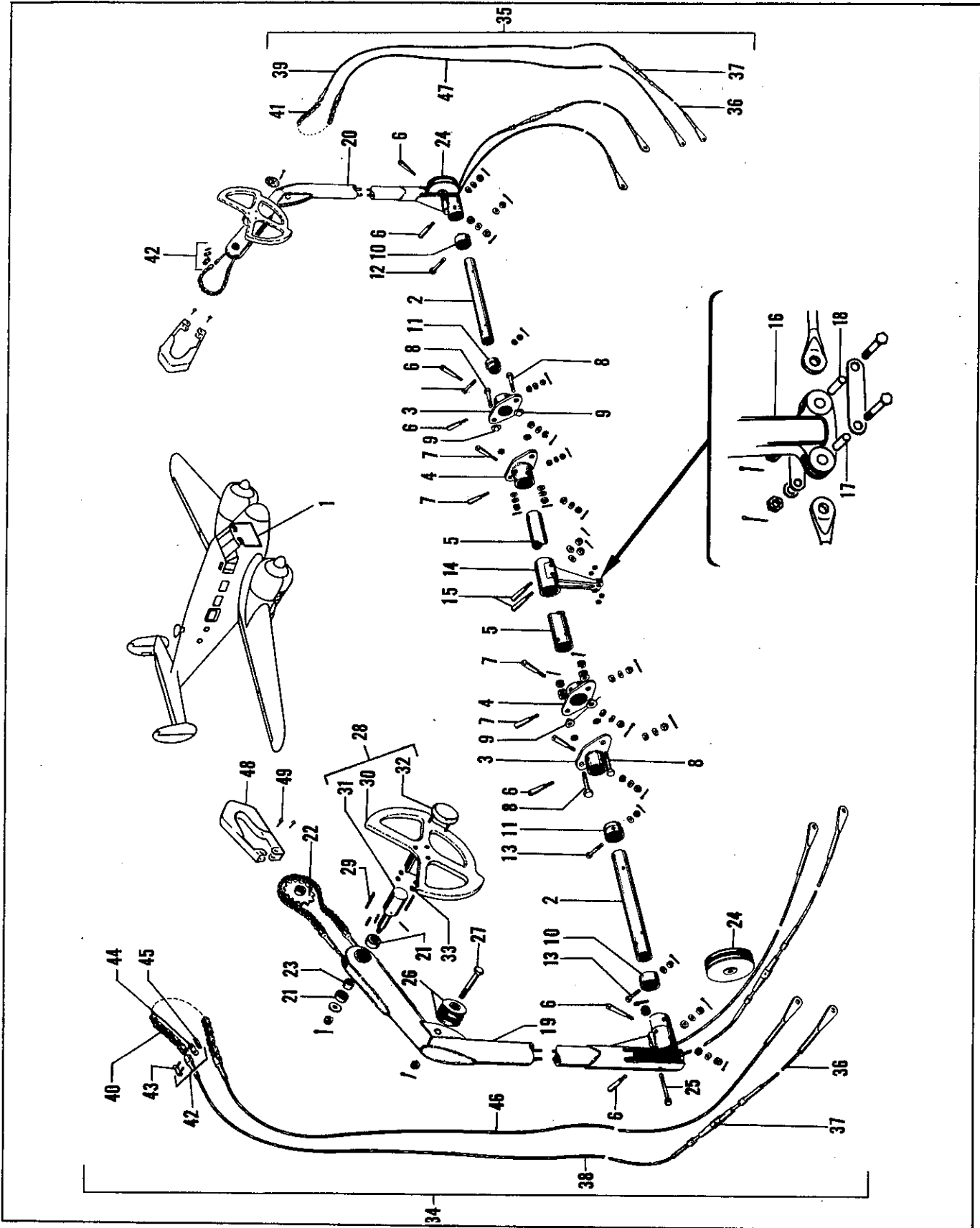
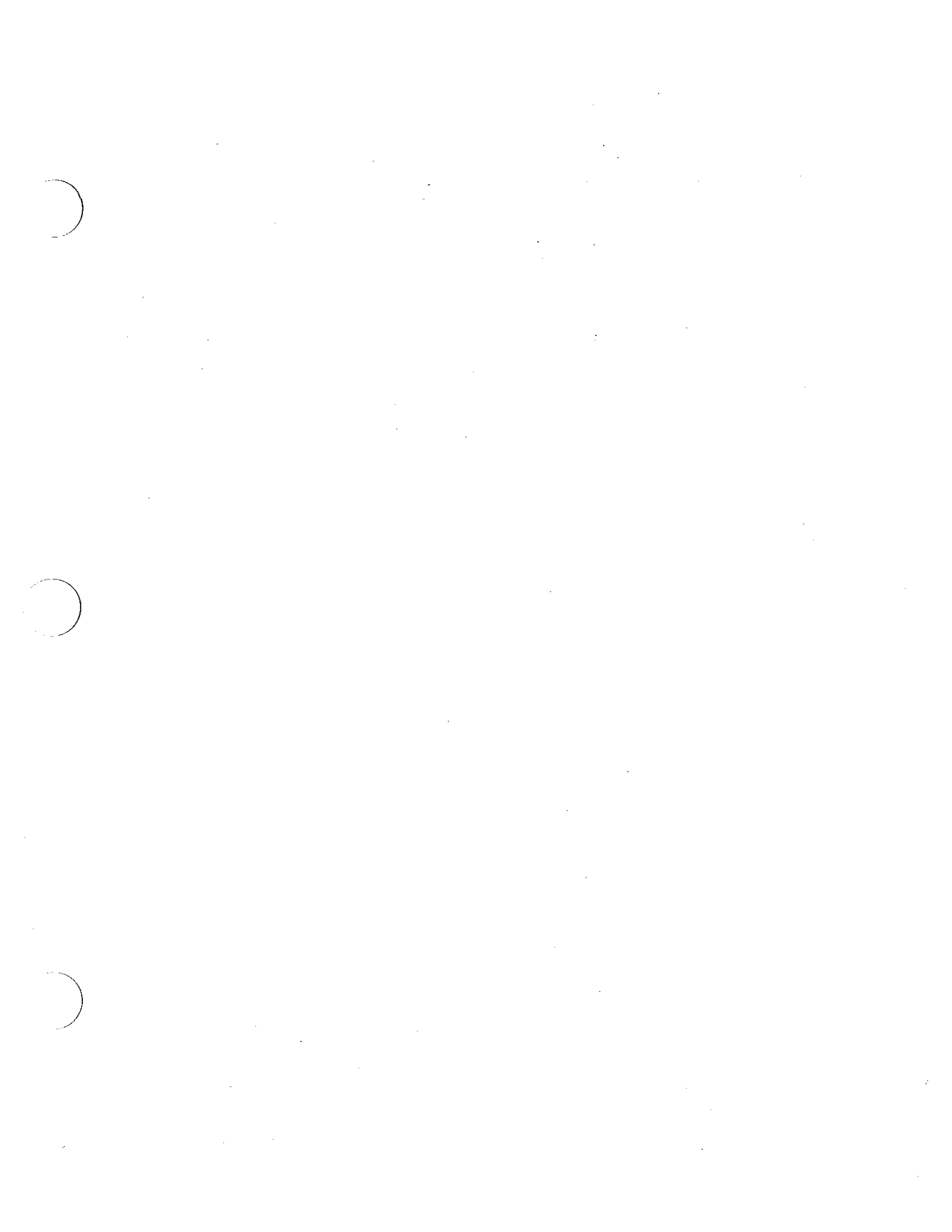


Figure 61. Torque Shaft and Control Column Installation

FIGURE and INDEX NUMBER	GROUP FLIGHT CONTROLS							Units Per Ass'y	Usage on Code	
	MAJOR ASSEMBLY		TORQUE SHAFT AND CONTROL COLUMN ASSEMBLY							
	PART NUMBER	1	2	3	4	5	6			7
61 - 1	644-187000	Controls Installation - Flight (See Figure 1)							Ref	ALL
	404-187500	Column Assembly - Torque shaft and control							1	ALL
- 2	187507	Shaft - Torque							2	ALL
- 3	187511	Flange - Torque shaft outer							2	ALL
- 4	187512	Flange - Torque shaft inner							2	ALL
- 5	187506	Shaft - Control column torque							1	ALL
		Attaching Parts								
- 6	AN386-5-15	Pin - Taper No. 5 x 1-7/8 in.							8	ALL
- 7	AN386-5-16	Pin - Taper No. 5 x 2 in.							4	ALL
	AN960-616	Washer - Plain 3/8 in.							12	ALL
	AN975-6	Washer - Taper pin 3/8 in.							12	ALL
	AN320-6	Nut - Castellated 3/8-24							12	ALL
	AN380-3-3	Pin - Cotter 3/32 x 3/4 in.							12	ALL
- 8	AN6-11	Bolt - Aircraft 3/8 x 1-1/8 in.							4	ALL
- 9	187513	Bushing - Torque shaft flange							4	ALL
	187515	Washer - Torque shaft flange							4	ALL
	AN310-6	Nut - Castellated 3/8-24							4	ALL
	AN380-3-3	Pin - Cotter 3/32 x 3/4 in.							4	ALL
- 10	187516	Collar - Torque shaft							2	ALL
- 11	187508	Bushing - Torque shaft							2	ALL
		Attaching Parts								
- 12	AN3-23	Bolt - Aircraft No. 10-32 x 2-3/8 in.							2	ALL
- 13	AN3-22	Bolt - Aircraft No. 10-32 x 2-1/4 in.							2	ALL
	AN960-10	Washer - Plain No. 10							4	ALL
	AN310-3	Nut - Castellated No. 10-32							4	ALL
	AN380-2-2	Pin - Cotter 1/16 x 1/2 in.							4	ALL
- 14	804-187504	Arm Assembly - Torque shaft							1	ALL
		Attaching Parts								
- 15	AN386-5-18	Pin - Taper No. 5 x 2-1/4 in.							2	ALL
	AN975-6	Washer - Taper pin 3/8 in.							2	ALL
	AN320-6	Nut - Castellated 3/8 in.							2	ALL
	AN380-3-3	Pin - Cotter 3/32 x 3/4 in.							2	ALL
- 16	804-187504-1	Casting - Arm assembly							1	ALL
- 17	804-187501	Bushing - Rear							2	ALL
- 18	804-187502	Bushing - Front							2	ALL
- 19	404-187510	Column Assembly - Elevator control LH							1	ALL
- 20	404-187510-1	Column Assembly - Elevator control RH							1	ALL
	824-187510-26	Column - Elevator control LH							1	ALL
	824-187510-27	Column - Elevator control RH							1	ALL
- 21	AN201KP8A	Bearing - (FAF)							2	ALL
- 22	188564	Sprocket							1	ALL
- 23	824-187510-12	Spacer							1	ALL
- 24	18754-2	Pulley							1	ALL
		Attaching Parts								
- 25	AN4-37(M)	Bolt - Aircraft 1/4-28 x 3-7/8 in.							1	ALL

FIGURE and INDEX NUMBER	GROUP FLIGHT CONTROLS							Units Per Ass'y	Usage on Code			
	MAJOR ASSEMBLY		TORQUE SHAFT AND CONTROL COLUMN ASSEMBLY Cont'd.									
	PART NUMBER	1	2	3	4	5	6			7	NOMENCLATURE	
61 - 25	AN960-416								Washer - Plain 1/4 in.	1	ALL	
	AN310-4								Nut - Castellated 1/4-28	1	ALL	
	AN380-2-2								Pin - Cotter 1/16 x 1/2 in.	1	ALL	
- 26	404-187512								Clip - Control column lamp wire	1	ALL	
	BB-128								Pulley - (FIN)	2	ALL	
		Attaching Parts										
- 27	AN24-27(M)								Bolt - Clevis 1/4-28 x 1-3/8 in.	1	ALL	
	AN320-4								Nut - Castellated 1/4-28	1	ALL	
	AN380-2-2								Pin - Cotter 1/16 x 1/2 in.	1	ALL	
- 28	404-187523								Wheel Assembly - Control	1	ALL	
		Attaching Parts										
- 29	S-21-3								Key	1	ALL	
	100951-X063								Washer	1	ALL	
	-008-024											
	AN310-4								Nut - Castellated 1/4-28	1	ALL	
	AN380-2-2								Pin - Cotter 1/16 x 1/2 in.	1	ALL	
- 30	404-187519								Wheel - Control	1	ALL	
- 31	187522								Hub Assembly - Control wheel	1	ALL	
- 32	734-187069								Button Assembly - Control wheel	1	ALL	
		Attaching Parts										
- 33	22K1-048								Nut - Cap (EN)	3	ALL	
	AN960-A416								Washer - Plain 1/4 in.	3	ALL	
- 34	404-187032								Cable Assembly - Aileron control column LH	1	ALL	
- 35	404-187033								Cable Assembly - Aileron control column RH	1	ALL	
- 36	NAS304-37											
	-0135								Cable - LH-RH	1	ALL	
- 37	AN155-32S								Barrel - Turnbuckle LH-RH	1	ALL	
- 38	404-187032-4								Cable - LH	1	ALL	
- 39	404-187033-4								Cable - RH	1	ALL	
- 40	404-187032-10								Chain - LH	1	ALL	
- 41	404-187033-10								Chain - RH	1	ALL	
- 42	C4282								Repair Link	1	ALL	
- 43	M4282								Link - Plate (DI)	1	ALL	
- 44	C1882								Cover - Plate (DI)	1	ALL	
	S-34-2								Clip - Safety	1	ALL	
- 45	6082								Lock - Spring (DI)	1	ALL	
- 46	404-187032-6								Cable - LH	1	ALL	
- 47	404-187033-6								Cable - RH	1	ALL	
- 48	404-180571								Bracket Assembly - Fluorescent Cockpit Light Mounting (see Figure 84)	Ref	ALL	
		Attaching Parts										
- 49	PK76X2-6-5								Screw - Sheet metal No. 6 x 5/16 in.	4	ALL	





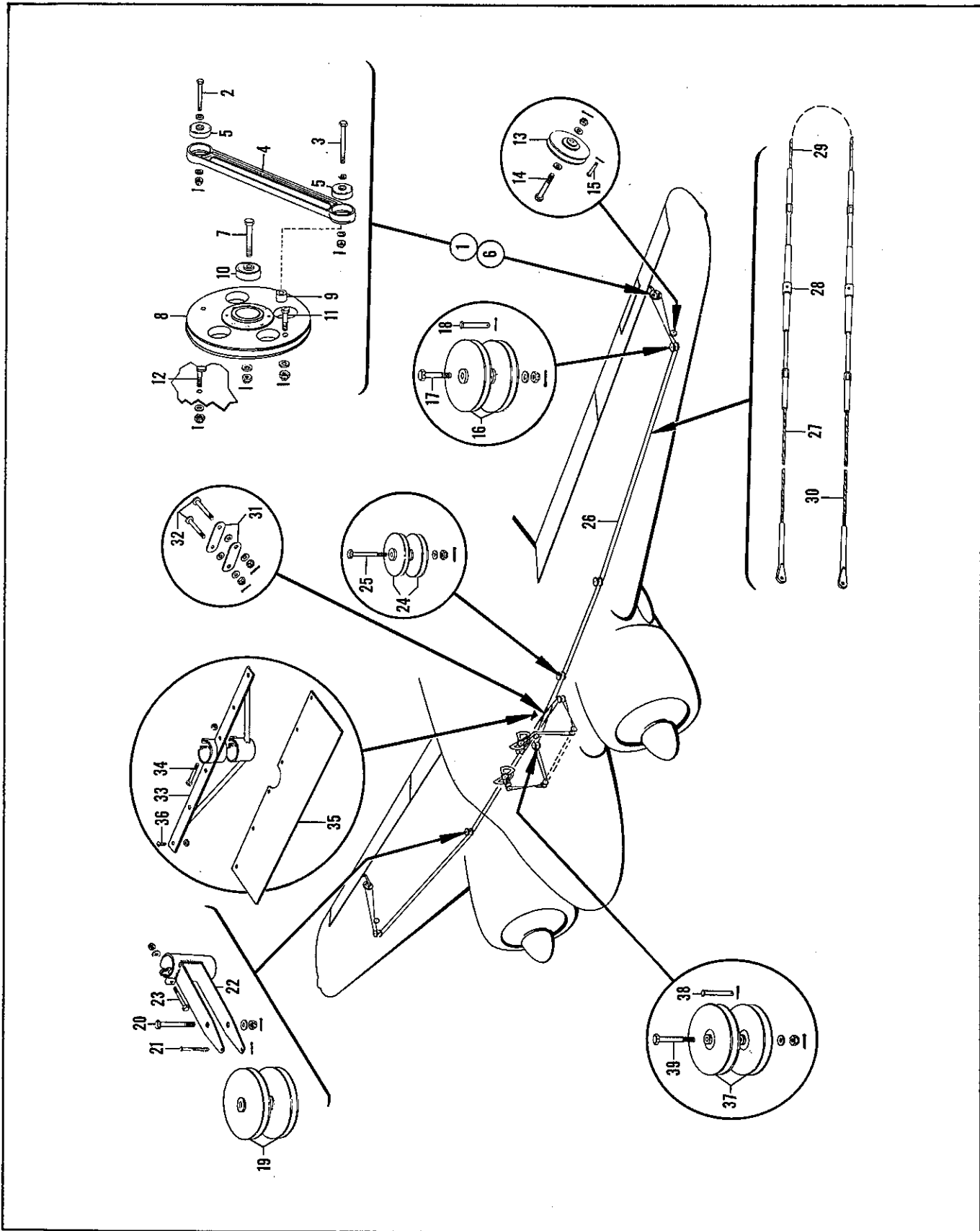


Figure 62. Aileron Control Installation

FIGURE and INDEX NUMBER	GROUP FLIGHT CONTROLS							Units Per Ass'y	Usage on Code	
	MAJOR ASSEMBLY AILERON CONTROL INSTALLATION									
	PART NUMBER	1	2	3	4	5	6 7			NOMENCLATURE
62 -	644-187000	Controls Installation - Flight (See Figure 1)							Ref	ALL
- 1	18732	Link Assembly - Aileron (LH & RH wing)							2	ALL
		Attaching Parts:								
- 2	AN4-11(M)	Bolt - Aircraft 1/4-28 x 1-1/8 in.							1	ALL
- 3	AN4-16(M)	Bolt - Aircraft 1/4-28 x 1-3/4 in.							1	ALL
	AN960-416	Washer - Plain 1/4 in.							2	ALL
	100951-S-032	Washer							2	ALL
	-008-100									
	AN310-4	Nut - Castellated 1/4-28							2	ALL
	AN380-2-2	Pin - Cotter 1/16 x 1/2 in.							2	ALL
- 4	18732-1	Link - Aileron							1	ALL
- 5	AN200KS-4	Bearing							2	ALL
- 6	187300	Pulley Assembly - Aileron bellcrank LH							1	ALL
	187300-1	Pulley Assembly - Aileron bellcrank RH							1	ALL
		Attaching Parts:								
- 7	S165(M)	Bolt - Pulley attaching							1	ALL
	AN960-616	Washer - Plain 3/8 in.							1	ALL
	AN310-6	Nut - Castellated 3/8-24							1	ALL
	AN380-3-3	Pin - Cotter 3/32 x 3/4 in.							1	ALL
- 8	187300	Pulley - Aileron control LH							1	ALL
	187300-1	Pulley - Aileron control RH							1	ALL
- 9	187302	Bushing							1	ALL
- 10	AN207DP6	Bearing							1	ALL
- 11	187007-2	Bolt - Cable locking							2	ALL
	AN960-416	Washer - Plain 1/4 in.							2	ALL
	AN310-4	Nut - Castellated 1/4-28							2	ALL
	AN380-2-2	Pin - Cotter 1/16 x 1/2 in.							2	ALL
- 12	181786	Stop - Aileron control							2	ALL
	AN960-416	Washer - Plain 1/4 in.							2	ALL
	AN310-4	Nut - Castellated 1/4-28							2	ALL
	AN380-2-2	Pin - Cotter 1/16 x 1/2 in.							2	ALL
- 13	187132	Pulley - Idler							2	ALL
		Attaching Parts:								
- 14	AN4-11	Bolt - Aircraft 1/4-28 x 1-1/8 in.							1	ALL
- 15	AN392-19	Pin - Flat head 1/8 x 14/32 in.							1	ALL
	AN960-416	Washer - Plain 1/4 in.							1	ALL
	AN310-4	Nut - Castellated 1/4-28							1	ALL
	AN380-2-2	Pin - Cotter 1/16 x 1/2 in.							2	ALL
- 16	AN210-4A	Pulley (2 RH wing and 2 LH wing)							4	ALL
		Attaching Parts:								
- 17	AN4-15(M)	Bolt - Aircraft 1/4-28 x 1-5/8 in.							1	ALL
- 18	AN392-37	Pin - Flat head 1/8 x 1-5/32 in.							1	ALL
	AN960-416	Washer - Plain 1/4 in.							1	ALL
	AN310-4	Nut - Castellated 1/4-28							1	ALL

FIGURE and INDEX NUMBER	GROUP FLIGHT CONTROLS							Units Per Ass'y	Usage on Code	
	MAJOR ASSEMBLY AILERON CONTROL INSTALLATION Cont'd									
	PART NUMBER	1	2	3	4	5	6 7			NOMENCLATURE
62 - 18	AN380-2-2							Pin - Cotter 1/16 x 1/2 in.	2	ALL
- 19	AN210-4A							Pulley (2 RH wing and 2 LH wing)	4	ALL
		Attaching Parts								
- 20	AN4-14							Bolt - Aircraft 1/4-28 x 1-1/2 in.	1	ALL
- 21	AN392-35							Pin - Flat head 1/8 x 1-3/32 in.	1	ALL
	AN960-416							Washer - Plain 1/4 in.	1	ALL
	AN310-4							Nut - Castellated 1/4-28	1	ALL
	AN380-2-2							Pin - Cotter 1/16 x 1/2 in.	2	ALL
- 22	814-187354							Bracket - Aileron pulley LH	1	ALL
	814-187354-1							Bracket - Aileron pulley RH	1	ALL
		Attaching Parts								
- 23	AN4-6A							Bolt - Aircraft 1/4-28 x 1 in.	2	ALL
	AN960-416							Washer - Plain 1/4 in.	2	ALL
	AN365-428							Nut - Self locking 1/4-28	2	ALL
- 24	AN210-3A							Pulley - Aileron top (1 LH wing and 1 RH wing)	2	ALL
	BB-128							Pulley - Aileron bottom (FIN) (1 LH wing and 1 RH wing)	2	ALL
		Attaching Parts								
- 25	AN4-15							Bolt - Aircraft 1/4-28 x 1-5/8 in.	1	ALL
	AN960-416							Washer - Plain 1/4 in.	1	ALL
	AN310-4							Nut - Castellated 1/4-28	1	ALL
	AN380-2-2							Pin - Cotter 1/16 x 1/2 in.	1	ALL
- 26	404-187030							Cable Assembly - Aileron outboard (1 LH wing and 1 RH wing)	2	ALL
- 27	NAS304-35-0656							Cable - Aileron end	1	ALL
- 28	AN155-32L							Barrel - Turnbuckle	2	ALL
- 29	404-187030-2							Cable - Aileron center	1	ALL
- 30	NAS304-34-0723							Cable - Aileron end	1	ALL
- 31	187006							Link - Aileron cable attaching	4	ALL
		Attaching Parts								
- 32	AN23-16(M)							Bolt - Clevis No. 10-32 x 11/16 in.	2	ALL
	AN960-10							Washer - Plain No. 10	2	ALL
	AN960-10L							Washer - Plain No. 10	2	ALL
	AN320-3							Nut - Castellated No. 10-32	2	ALL
	AN380-2-2							Pin - Cotter 1/16 x 1/2 in.	2	ALL
- 33	84-187064							Bracket Assembly - Aileron cable fairlead support	1	ALL
		Attaching Parts								
- 34	AN3-7A							Bolt - Aircraft No. 10-32 x 7/8 in.	2	ALL
	AN365-1032							Nut - Self locking No. 10-32	2	ALL
- 35	84-187063							Fairlead - Aileron cables	1	ALL

FIGURE and INDEX NUMBER	GROUP FLIGHT CONTROLS							Units Per Ass'y	Usage on Code	
	MAJOR ASSEMBLY AILERON CONTROL INSTALLATION Cont'd									
	PART NUMBER	1	2	3	4	5	6 7			NOMENCLATURE
62 -										
- 36	AN515-8-8							Screw - Round head No. 8-32 x 1/2 in.	6	ALL
	AN365-832							Nut - Self locking No. 8-32	6	ALL
- 37	18754-2							Pulley - Aileron cable (2 LH and 2 RH - Fuselage)	4	ALL
- 38	AN392-37							Pin - Flat head 1/8 x 1-5/32 in.	1	ALL
- 39	AN4-14(M)							Bolt - Aircraft 1/4-28 x 1-1/2 in.	1	ALL
	AN960-416							Washer - Plain 1/4 in.	1	ALL
	AN310-4							Nut - Castellated 1/4-28	1	ALL
	AN380-2-2							Pin - Cotter 1/16 x 1/2 in.	2	ALL

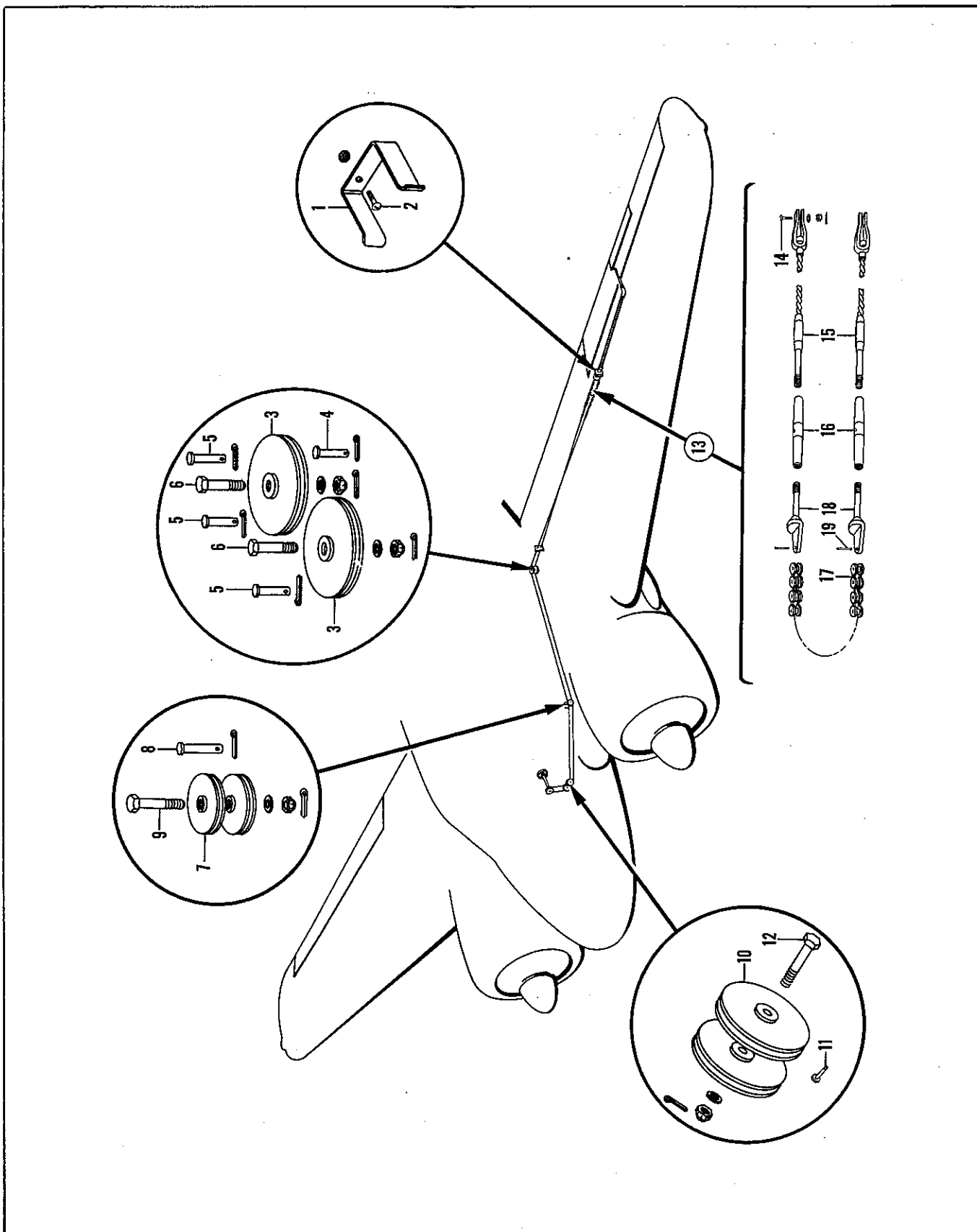


Figure 63. Aileron Tab Control Installation

FIGURE and INDEX NUMBER	GROUP FLIGHT CONTROLS							Units Per Ass'y	Usage on Code	
	MAJOR ASSEMBLY AILERON TAB CONTROL INSTALLATION									
	PART NUMBER	1	2	3	4	5	6 7			NOMENCLATURE
63 -	644-187000	Controls Installation - Flight (See Figure 1)							Ref	ALL
- 1	187713-1	Guard - Aileron tab chain							1	ALL
		Attaching Parts								
- 2	AN526-6-6	Screw - Brazier head No. 6-32 x 3/8 in.							2	ALL
	AN960-6	Washer - Plain No. 6							2	ALL
	AN365-632	Nut - Self locking No. 6-32							2	ALL
- 3	AN210-2A	Pulley							2	ALL
		Attaching Parts								
- 4	AN392-19	Pin - Flat head 1/8 x 19/32 in.							1	ALL
- 5	AN392-15	Pin - Flat head 1/8 x 15/32 in.							1	ALL
- 6	AN3-7	Bolt - Aircraft No. 10-32 x 7/8 in.							2	ALL
	AN960-10	Washer - Plain No. 10							2	ALL
	AN310-3	Nut - Castellated No. 10-32							2	ALL
	AN380-2-2	Pin - Cotter 1/16 x 1/2 in.							4	ALL
- 7	AN210-1A	Pulley							2	ALL
		Attaching Parts								
- 8	AN392-23	Pin - Flat head 1/8 x 23/32 in.							1	ALL
- 9	AN3-11	Bolt - Aircraft No. 10-32 x 1-1/8 in.							1	ALL
	AN960-10	Washer - Plain No. 10							1	ALL
	AN310-3	Nut - Castellated No. 10-32							1	ALL
	AN380-2-2	Pin - Cotter 1/16 x 1/2 in.							2	ALL
- 10	AN210-2A	Pulley							2	ALL
		Attaching Parts								
- 11	AN392-23	Pin - Flat head 1/8 x 23/32							2	ALL
- 12	AN3-11	Bolt - Aircraft No. 10-32 x 1-1/8 in.							1	ALL
	AN960-10	Washer - Plain No. 10							1	ALL
	AN310-3	Nut - Castellated No. 10-32							1	ALL
	AN380-2-2	Pin - Cotter 1/16 x 1/2 in.							3	ALL
- 13	407-187106	Cable Assembly - Aileron tab control							1	ALL
		Attaching Parts								
- 14	AN3-6	Bolt - Aircraft No. 10-32 x 3/4 in.							1	ALL
	AN960-10L	Washer - Plain No. 10							1	ALL
	AN310-3	Nut - Castellated No. 10-32							1	ALL
	AN380-2-2	Pin - Cotter 1/16 x 1/2 in.							1	ALL
- 15	407-187106-6	Cable Assembly - Aileron tab control							2	ALL
- 16	AN155-8S	Barrel - Turnbuckle							2	ALL
	407-187106-8	Chain Assembly - Aileron tab control							1	ALL
- 17	407-187106-2	Chain - Aileron tab control							1	ALL
- 18	187661	Stop - Aileron tab							2	ALL
- 19	102809-A078	Pin - Aileron tab chain							2	ALL
	-014									

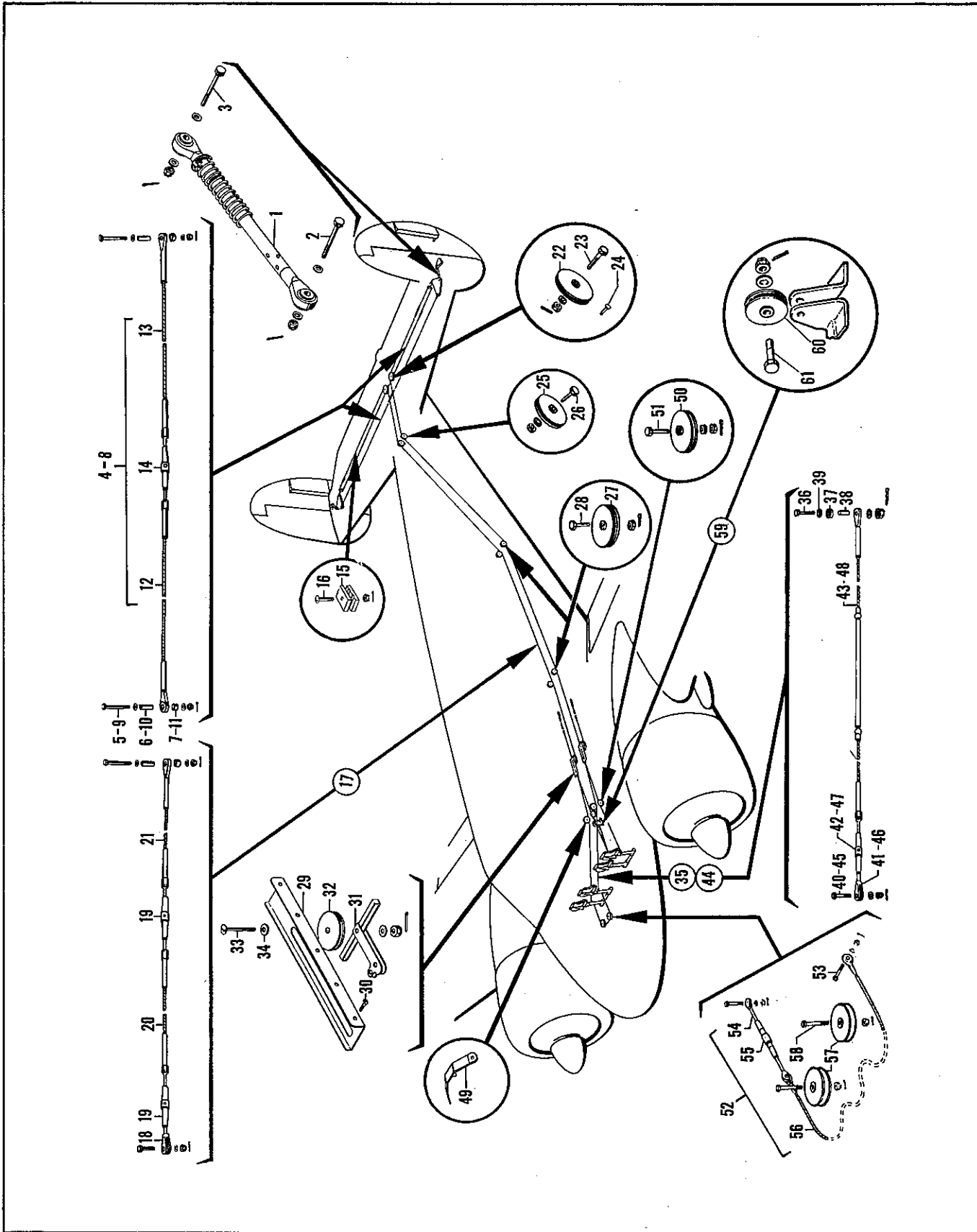


Figure 64. Rudder Control Installation



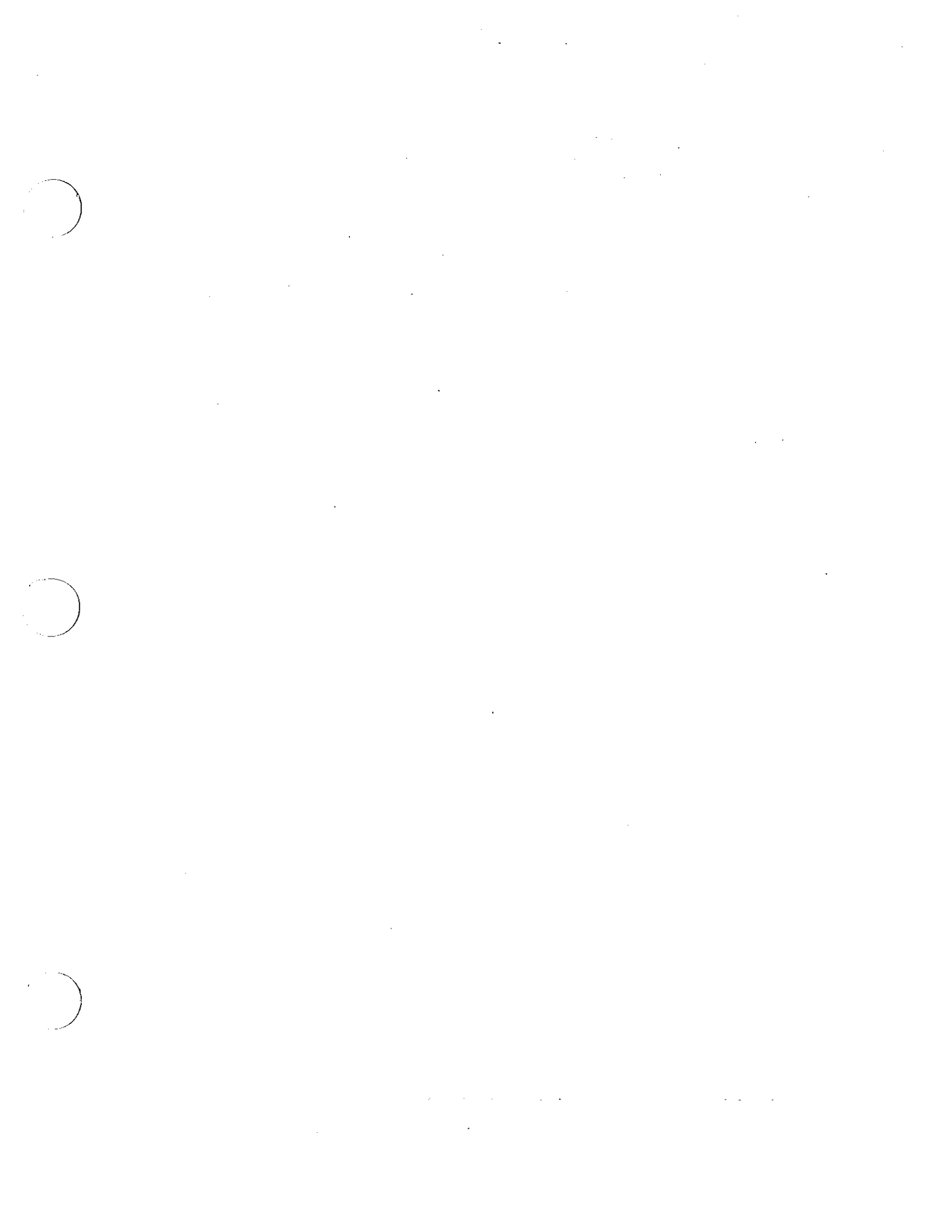
FIGURE and INDEX NUMBER	GROUP FLIGHT CONTROLS						Units Per Ass'y	Usage on Code	
	MAJOR ASSEMBLY RUDDER CONTROL INSTALLATION								
	PART NUMBER	1	2	3	4	5 6 7			NOMENCLATURE
64 -	644-187000	Controls Installation (See Figure 1)						Ref	ALL
- 1	404-186160	Link Assembly - Rudder control (1 LH and 1 RH)						2	ALL
	Attaching Parts:								
- 2	AN4-13(M)	Bolt - Aircraft 1/4-28 x 1-3/8 in.						1	ALL
- 3	AN4-14(M)	Bolt - Aircraft 1/4-28 x 1-1/2 in.						1	ALL
	AN960-416	Washer - Plain 1/4 in.						2	ALL
	AN310-4	Nut - Castellated 1/4-28						2	ALL
	AN380-2-2	Pin - Cotter 1/16 x 1/2 in.						2	ALL
	404-186162	Spring - Bungee						1	ALL
	404-186163	Clip - Spring						1	ALL
	186161	End Assembly - Tail surface control link						2	ALL
	SIK-5	Bearing						1	ALL
- 4	404-187012	Cable Assembly - Rudder front cross						1	ALL
	Attaching Parts:								
- 5	AN3-12 (M)	Bolt - Aircraft No. 10-32 x 1-1/4 in.						2	ALL
- 6	187002-2	Spacer						2	ALL
- 7	187002-1	Spacer						2	ALL
	AN960-416	Washer - Plain 1/4 in.						2	ALL
	AN960-10	Washer - Plain No. 10						2	ALL
	AN310-3	Nut - Castellated No. 10-32						2	ALL
	AN380-2-2	Pin - Cotter 1/16 x 1/2 in.						2	ALL
- 8	404-187013	Cable Assembly - Rudder rear cross						1	ALL
	Attaching Parts:								
- 9	AN3-12(M)	Bolt - Aircraft No. 10-32 x 1-1/4 in.						2	ALL
- 10	187002-2	Spacer						2	ALL
- 11	187002-1	Spacer						2	ALL
	AN960-416	Washer - Plain 1/4 in.						4	ALL
	AN960-10	Washer - Plain No. 10						2	ALL
	AN310-3	Nut - Castellated No. 10-32						2	ALL
	AN380-2-2	Pin - Cotter 1/16 x 1/2 in.						2	ALL
- 12	404-187012-2	Cable - Rudder front cross LH						1	ALL
	404-187013-2	Cable - Rudder rear cross LH						1	ALL
- 13	404-187012-4	Cable - Rudder front cross RH						1	ALL
	404-187013-4	Cable - Rudder rear cross RH						1	ALL
- 14	AN155-32S	Harrel - Turnbuckle (1 per assembly)						1	ALL
- 15	84-187035	Spacer - Rudder balance (2 per installation)						6	ALL
	Attaching Parts:								
- 16	AN526-8-12	Screw - Brazier head No. 8-32 x 3/4 in. (per installation)						1	ALL
	AN960-8	Washer - Plain No. 8						1	ALL
	AN365-832	Nut - Self locking No. 8-32						1	ALL
- 17	404-187011	Cable Assembly - Long rudder (1LH and 1 RH)						2	ALL
	Attaching Parts:								
	AN3-5(M)	Bolt - Aircraft No. 10-32 x 5/8 in.						2	ALL

\* T757  
2250-66  
R

FIGURE and INDEX NUMBER	GROUP FLIGHT CONTROLS							Units Per Ass'y	Usage on Code	
	MAJOR ASSEMBLY RUDDER CONTROL INSTALLATION Cont'd									
	PART NUMBER	1	2	3	4	5	6 7			NOMENCLATURE
64 - 17	AN960-10							Washer - Plain No. 10	2	ALL
	AN310-3							Nut - Castellated No. 10-32	2	ALL
	AN380-2-2							Pin - Cotter 1/16 x 1/2 in.	2	ALL
- 18	AN161-22RS							Fork - Cable end	1	ALL
- 19	AN155-32S							Barrel - Turnbuckle	2	ALL
- 20	NAS304-45-3464							Cable Assembly - Long	1	ALL
- 21	404-187011-2							Cable Assembly - Short	1	ALL
- 22	AN210-4/							Pulley (1 LH and 1 RH)	2	ALL
	Attaching Parts									
- 23	AN4-11(M)							Bolt - Aircraft 1/4-28 x 1-1/8 in.	1	ALL
- 24	AN392-21							Pin - Flat head 1/8 x 21/32 in.	1	ALL
	AN960-416							Washer - Plain 1/4 in.	1	ALL
	AN960-416L							Washer - Plain 1/4 in.	1	ALL
	AN310-4							Nut - Castellated 1/4-28	1	ALL
	AN380-2-2							Pin - Cotter 1/16 x 1/2 in.	2	ALL
- 25	AN210-3A							Pulley (1 LH and 1 RH)	2	ALL
	Attaching Parts									
- 26	AN4-11(M)							Bolt - Aircraft 1/4-28 x 1-1/8 in.	1	ALL
	AN960-416							Washer - Plain 1/4 in.	1	ALL
	AN310-4							Nut - Castellated 1/4-28	1	ALL
	AN380-2-2							Pin - Cotter 1/16 x 1/2 in.	1	ALL
- 27	AN210-3A							Pulley (2LH and 2 RH)	4	ALL
	Attaching Parts									
- 28	S-126-20(M)							Bolt	1	ALL
	100951-S-032							Washer	1	ALL
	-008-016									
	AN320-4							Nut - Castellated 1/4-28	1	ALL
	AN380-2-2							Pin - Cotter 1/16 x 1/2 in.	1	ALL
- 29	34-184326							Bracket - Cabin floor channel upper pulley LH	1	ALL
	34-184326-1							Bracket - Cabin floor channel upper pulley RH	1	ALL
	Attaching Parts									
- 30	AN515-8-7							Screw - Round head No. 8-32 x 7/16 in.	5	ALL
- 31	18743-1							Bracket - Rudder reduction pulley (1 LH & 1 RH)	2	ALL
- 32	AN210-4A							Pulley (1 LH and 1 RH)	2	ALL
	Attaching Parts									
- 33	187059(M)							Bolt	1	ALL
- 34	100801-X6-0094							Bushing	1	ALL
	10951-X-063							Washer - Plain 1/4 in.	2	ALL
	-009-020									
	AN320-4							Nut - Castellated 1/4-28	1	ALL
	AN380-2-2							Pin - Cotter 1/16 x 1/2 in.	1	ALL

FIGURE and INDEX NUMBER	GROUP FLIGHT CONTROLS							Units Per Ass'y	Usage on Code	
	MAJOR ASSEMBLY RUDDER CONTROL INSTALLATION Cont'd.									
	PART NUMBER	1	2	3	4	5	6 7			NOMENCLATURE
64 - 35	404-187014							Cable Assembly - Copilot's RH and pilot's rudder	3	ALL
		Attaching Parts								
- 36	187059(M)							Bolt	1	ALL
- 37	100696-X12-010							Bushing	1	ALL
	-0003							Bushing	1	ALL
- 38	105739-S0250							Bushing	1	ALL
	-0312-0500							Bushing	1	ALL
- 39	100951-X-063							Washer	2	ALL
	-009-020							Washer	2	ALL
	AN320-4							Nut - Castellated 1/4-28	1	ALL
	AN380-2-2							Pin - Cotter 1/16 x 1/2 in.	1	ALL
- 40	AN23-11(M)							Bolt - Clevis No. 623/32 in.	1	ALL
	AN960-10							Washer - Plain No. 10	1	ALL
	AN310-3							Nut - Castellated No. 10-32	1	ALL
	AN380-2-2							Pin - Cotter 1/16 x 1/2 in.	1	ALL
- 41	AN161-32LL							Fork - Turnbuckle	1	ALL
- 42	AN155-32S							Barrel - Turnbuckle	1	ALL
- 43	404-187014-2							Cable Assembly - Rudder	1	ALL
- 44	404-187015							Cable Assembly - Copilot's rudder LH	1	ALL
		Attaching Parts								
- 45	AN23-11(M)							Bolt - Aircraft No. 10-32 x 3/4 in.	1	ALL
	AN960-10							Washer - Plain No. 10	1	ALL
	AN310-3							Nut - Self locking No. 10-32	1	ALL
	AN380-2-2							Pin - Cotter 1/16 x 1/2 in.	1	ALL
- 46	AN161-32LL							Fork - Turnbuckle	1	ALL
- 47	AN155-32L							Barrel - Turnbuckle	1	ALL
- 48	404-187015-8							Cable Assembly - Rudder	1	ALL
- 49	184200-208							Guard Assembly - Truss rudder pulley	2	ALL
- 50	18754-1							Pulley - Rudder cable (2 LH and 2 RH)	4	ALL
		Attaching Parts								
- 51	S-126-22(M)							Bolt - Pulley and guard attaching	1	ALL
	AN960-416							Washer - Plain 1/4 in.	1	ALL
	AN320-4							Nut - Castellated 1/4-28	1	ALL
	AN380-2-2							Pin - Cotter 1/16 x 1/2 in.	1	ALL
- 52	404-187231*							Cable Assembly - Rudder balance	1	ALL
	694-187232**							Cable Assembly - Rudder balance	1	ALL
		Attaching Parts								
- 53	AN4-11							Bolt - Clevis No. 10-32 x 3/8 in.	2	ALL
	AN960-10							Washer - Plain No. 10	2	ALL
	AN310-3							Nut - Castellated No. 10-32	2	ALL
	AN380-2-2							Pin - Cotter 1/16 x 1/2 in.	2	ALL
		*Effective prior to RCAF Serial 1585								
		**Effective RCAF Serial 1585 and after								

FIGURE and INDEX NUMBER	GROUP FLIGHT CONTROLS							Units Per Ass'y	Usage on Code	
	MAJOR ASSEMBLY RUDDER CONTROL INSTALLATION Cont'd.									
	PART NUMBER	1	2	3	4	5	6 7			NOMENCLATURE
64 - 54	404-187231-2							Eye - Turnbuckle	1	ALL
- 55	AN155-32S							Barrel - Turnbuckle	1	ALL
- 56	NAS314-37							Cable Assembly - Rudder balance (404-187231	1	ALL
	-0244							cable assembly)		
	NAS314-37							Cable Assembly - Rudder balance (694-187232	1	ALL
	-0240							cable assembly)		
- 57	AN210-3A							Pulley	2	ALL
								Attaching Parts		
- 58	AN4-11							Bolt - Aircraft 1/4-28 x 1-1/8 in.	1	ALL
	AN310-4							Nut - Castellated 1/4-28	1	ALL
	AN380-2-2							Pin - Cotter 1/16 x 1/2 in.	1	ALL
- 59	111-41004-1							Bracket Assembly - Idler Pulley	1	ALL
- 60	AN220-1							Pulley	1	ALL
								Attaching Parts		
- 61	AN5-11							Bolt - Aircraft 5/16-24 x 1-7/32	1	ALL
	AN960-516							Washer - Plain 5/16	1	ALL
	AN310-5							Nut - Castellated 5/16-24	1	ALL
	AN381-2-10							Pin - Cotter 1/16 x .625	1	ALL



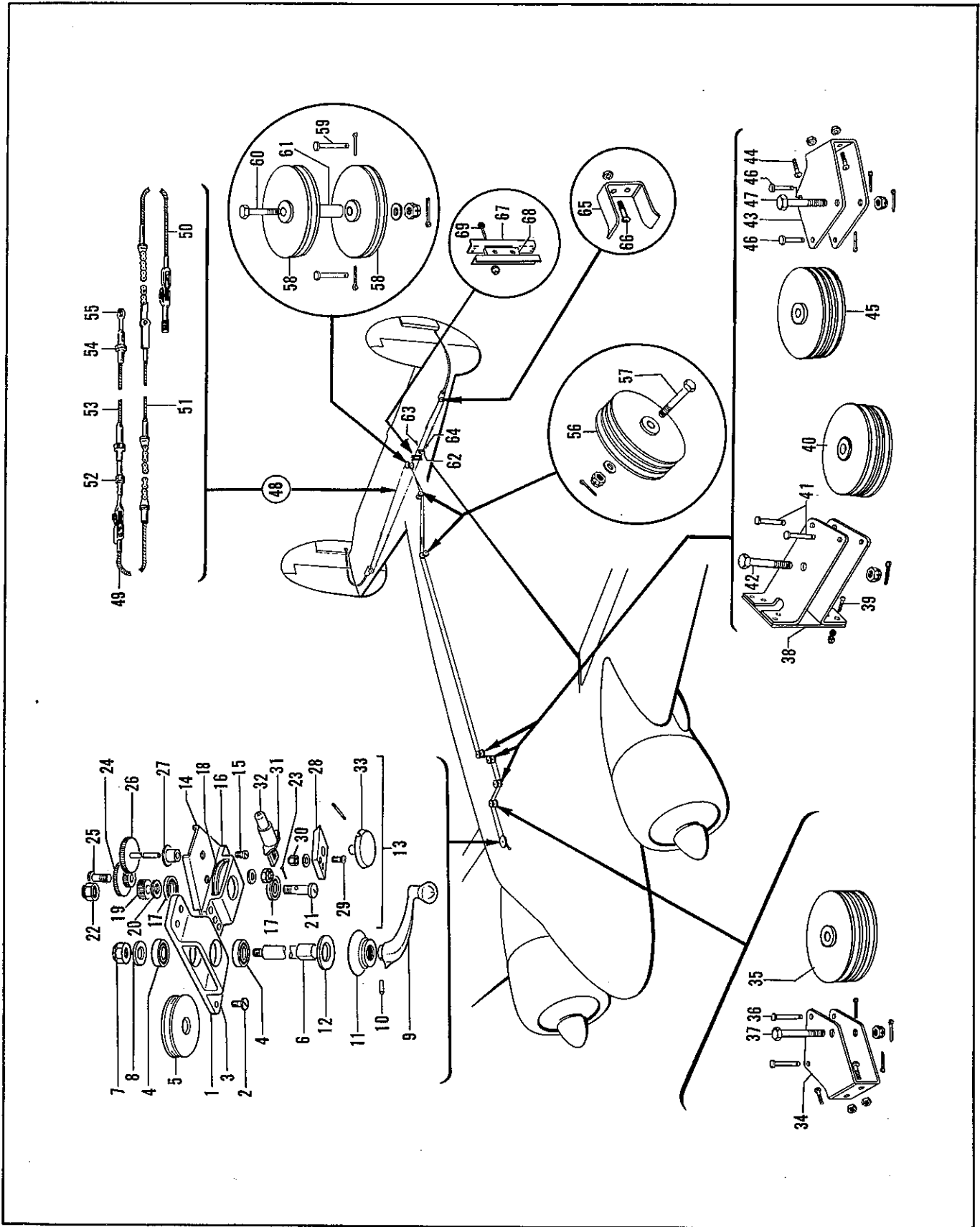


Figure 65. Rudder Tab Control Installation

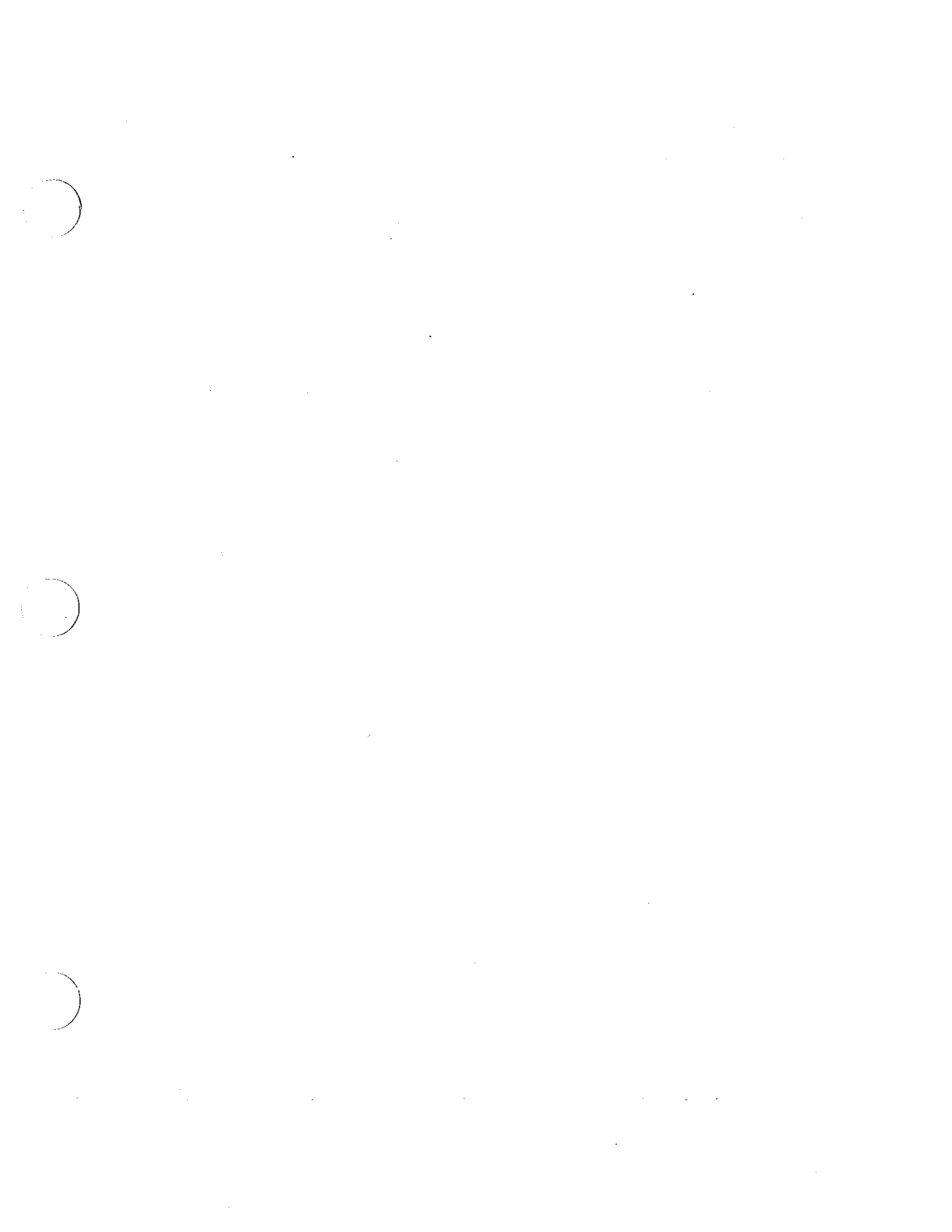
FIGURE and INDEX NUMBER	GROUP FLIGHT CONTROLS							Units Per Ass'y	Usage on Code	
	MAJOR ASSEMBLY RUDDER TAB CONTROL INSTALLATION									
	PART NUMBER	1	2	3	4	5	6			7
65 -	644-187000	Controls Installation (See Figure 1)							Ref	ALL
	26JU/404-187719	Indicator Assembly, Rudder Tab							1	ALL
- 1	187803	Housing Assembly - Rudder tab crank control							1	ALL
	Attaching Parts									
- 2	AN526-8R8	Screw - Truss head No. 8-32 x 1/2 in.							4	ALL
- 3	407-187803-2	Housing - Rudder tab crank control							1	ALL
- 4	K6A	Bearing (FAF)							2	ALL
- 5	187732	Pulley - Rudder tab crank control							1	ALL
- 6	404-187770	Shaft crank							1	ALL
- 7	AN365-1032	Nut - Self locking							1	ALL
- 8	AN960-10L	Washer - Plain No. 10							1	ALL
- 9	404-187718-1	Crank Assembly - Rudder tab control							1	ALL
	Attaching Parts									
- 10	102809-125-020	Pin - Tab control crank							1	ALL
- 11	91C-8122618	Escutcheon (COW)							1	ALL
- 12	694-187732	Spacer (Felt) Rudder tab control							1	ALL
- 13	404-187719	Indicator Assembly - Rudder tab indicator							1	ALL
- 14	407-187803	Housing Assembly - Rudder tab indicator							1	ALL
	Attaching Parts									
- 15	AN526-832R8	Screw							4	ALL
- 16	407-187803-2	Housing - Rudder tab indicator							1	ALL
- 17	K6A	Bearing (FAF)							2	ALL
- 18	187732	Pulley - Rudder tab indicator							1	ALL
- 19	404-187724	Pinion - Rudder tab indicator							1	ALL
- 20	AN960-616L	Washer - Plain 3/8 in.							1	ALL
	Attaching Parts									
- 21	404-187721	Shaft - Rudder tab indicator							1	ALL
- 22	AN364-1032	Nut - Self locking 3/8 in.							1	ALL
- 23	AN380-3-4	Pin - Cotter							1	ALL
- 24	404-187722	Pinion Assembly - Rudder tab indicator gear							1	ALL
	Attaching Parts									
- 25	AN23-9A	Bolt							1	ALL
	AN960-10	Washer - Plain							1	ALL
	AN365-1032	Nut - Self locking							1	ALL
- 26	404-187723	Shaft Assembly - Rudder tab indicator gear							1	ALL
- 27	404-187725	Bushings - Rudder tab indicator							1	ALL
- 28	404-187741	Plate - Rudder tab indicator light diffuser							1	ALL
	Attaching Parts									
- 29	AN515-4-8	Screw - Round head No. 4-40 x 1/2 in.							2	ALL
	AN960-4	Washer - Plain No. 4							2	ALL

FIGURE and INDEX NUMBER	GROUP FLIGHT CONTROLS							Units Per Ass'y	Usage on Code	
	MAJOR ASSEMBLY RUDDER TAB CONTROL INSTALLATION Cont'd									
	PART NUMBER	1	2	3	4	5	6 7			NOMENCLATURE
65 - 30	AN365-440							Nut - Self locking No. 4-40	2	ALL
- 31	209							Socket - Bay type light (DMC)	1	ALL
- 32	AN3121-R313							Lamp	1	ALL
- 33	407-187732-4							Dial Assembly - Removable tab indicator	1	ALL
	Attaching Parts									
	AN565B4-H3							Screw - Set No. 4-40 x 3/16 in.	1	ALL
- 34	84-187023							Bracket - Rudder tab pulley front	1	ALL
	Attaching Parts									
	AN515-8R8							Screw - Round head No. 8-32 x 1/2 in.	1	ALL
	AN515-8R7							Screw - Round head No. 8-32 x 7/16 in.	1	ALL
	AN365-832							Nut - Self locking No. 8-32	2	ALL
- 35	AN210-2A							Pulley	2	ALL
	Attaching Parts									
- 36	AN392-23							Pin - Flat head 1/8 x 23/32 in.	2	ALL
- 37	AN3-10							Bolt - Aircraft No. 10-32 x 1 in.	1	ALL
	AN310-3							Nut - Castellated No. 10-32	1	ALL
	AN380-2-2							Pin - Cotter 1/16 x 1/2 in.	3	ALL
- 38	84-187018							Bracket Assembly - Rudder tab pulley LH	1	ALL
	84-187018-1							Bracket Assembly - Rudder tab pulley RH	1	ALL
	Attaching Parts									
- 39	AN507-8R6							Screw - Flat head No. 8-32 x 3/8 in. (2 per assembly)	4	ALL
- 40	AN210-2A							Pulley (2per assembly)	4	ALL
	Attaching Parts									
- 41	AN392-23							Pin - Flat head 1/8 x 23/32 in.	2	ALL
- 42	AN3-10							Bolt - Aircraft No. 10-32 x 1 in.	1	ALL
	AN310-3							Nut - Castellated No. 10-32	1	ALL
	AN380-2-2							Pin - Cotter 1/17 x 1/2 in.	3	ALL
- 43	84-187019							Bracket - Rudder tab pulley	1	ALL
	Attaching Parts									
- 44	AN515-8R8							Screw - Round head No. 8-32 x 1/2 in.	1	ALL
	AN515-8R7							Screw - Round head No. 8-32 x 7/16 in.	1	ALL
	AN364-832							Nut - Self locking No. 8-32	2	ALL
- 45	AN210-2A							Pulley	2	ALL
	Attaching Parts									
- 46	AN392-23							Pin - Flat head 1/8 x 23/32 in.	2	ALL
- 47	AN3-10							Bolt - Aircraft No. 10-32 x 1 in.	1	ALL
	AN310-3							Nut - Castellated No. 10-32	1	ALL
	AN380-2-2							Pin - Cotter 1/16 x 1/2 in.	3	ALL



FIGURE and INDEX NUMBER	GROUP FLIGHT CONTROLS							Units Per Ass'y	Usage on Code	
	MAJOR ASSEMBLY RUDDER TAB CONTROL INSTALLATION Cont'd.									
	PART NUMBER	1	2	3	4	5	6 7			NOMENCLATURE
65 - 48	644-187111*							Cable Assembly - Rudder trim tab	1	ABC
	187111-14*							Cable Assembly - Rudder trim tab	1	D
- 49	644-187111-2							Cable Assembly - Rudder trim tab	1	ABC
	187111-2							Cable Assembly - Rudder trim tab	2	D
	644-187111-14							Chain	2	ABC
	187111-6							Chain	1	D
	Attaching Parts									
	102809-A078-012							Pin	4	ABC
	102809-A078-012							Pin	2	D
- 50	644-187111-6							Cable Assembly - Rudder trim tab	1	ABC
- 51	644-187111-10							Cable Assembly - Rudder trim tab	1	ABC
- 52	AN155-16S							Barrel - Turnbuckle	2	ALL
- 53	106201-R-44300							Cable Assembly - Rudder trim tab	1	ALL
	187108							Link Assembly - Rudder trim tab	1	ABC
- 54	AN155-16S							Barrel - Turnbuckle	1	ALL
- 55	AN170-16RS							Eye - Turnbuckle	1	ALL
	AN100-3							Thimble	1	ALL
- 56	AN210-1A							Pulley (2 per installation)	4	ALL
	Attaching Parts									
- 57	AN3-11							Bolt - Aircraft No. 10-32 x 1-1/8 in.	1	ALL
	AN960-10							Washer - Plain No. 10	1	ALL
	AN310-3							Nut - Castellated No. 10-32	1	ALL
	AN380-2-2							Pin - Cotter 1/16 x 1/2 in.	1	ALL
- 58	AN210-2A							Pulley	2	ALL
	Attaching Parts									
- 59	AN392-25							Pin - Flat head 1/8 x 25/32 in.	2	ABC
	AN392-61							Pin - Flat head 1/8 x 1-29/32 in.	2	D
- 60	AN3-11							Bolt - Aircraft No. 10-32 x 1-1/8 in.	1	ABC
	AN3-22							Bolt - Aircraft No. 10-32 x 2-1/4 in.	1	D
	AN960-10							Washer - Plain No. 10	2	ALL
	AN380-2-2							Pin - Cotter 1/16 x 1/2 in.	3	ALL
- 61	S-198-4-38**							Spacer	1	D
	100696-X08-06							Spacer	1	D
	-038**							Spacer	1	D
- 62	407-186082							Fairlead - Rudder tab control	1	ABC
	Attaching Parts									
- 63	AN515-6-24							Screw - Round head No. 6-32 x 1-1/8 in.	1	ABC
- 64	AN515-6-14							Screw - Round head No. 6-32 x 7/8 in.	2	ABC
	AN960-6L							Washer - Plain No. 6	3	ABC
	AN365-632							Nut - Self locking No. 6-32	3	ABC
	* For installation see EO 05-45B-2 Pages 2-49 and 2-50.									
	** These parts are interchangeable.									

FIGURE and INDEX NUMBER	GROUP FLIGHT CONTROLS							Units Per Ass'y	Usage on Code	
	MAJOR ASSEMBLY RUDDER TAB CONTROL INSTALLATION Cont'd									
	PART NUMBER	1	2	3	4	5	6 7			NOMENCLATURE
65 - 65	187713-2							Guard - Chain tab control (1 LH and 1 RH)	2	ALL
								Attaching Parts		
- 66	AN515-6-6							Screw - Round head No. 6-32 x 3/8 in.	2	ALL
	AN360-6							Washer - Plain No. 6	2	ALL
	AN365-632							Nut - Self locking No. 6-32	2	ALL
- 67	187695							Bracket	2	D
- 68	187689							Block	1	D
								Attaching Parts		
- 69	AN515-6-20							Screw - Round head No. 6-32 x 1-1/8 in.	2	D
	AN365-632							Nut - Self locking No. 6-32	2	D



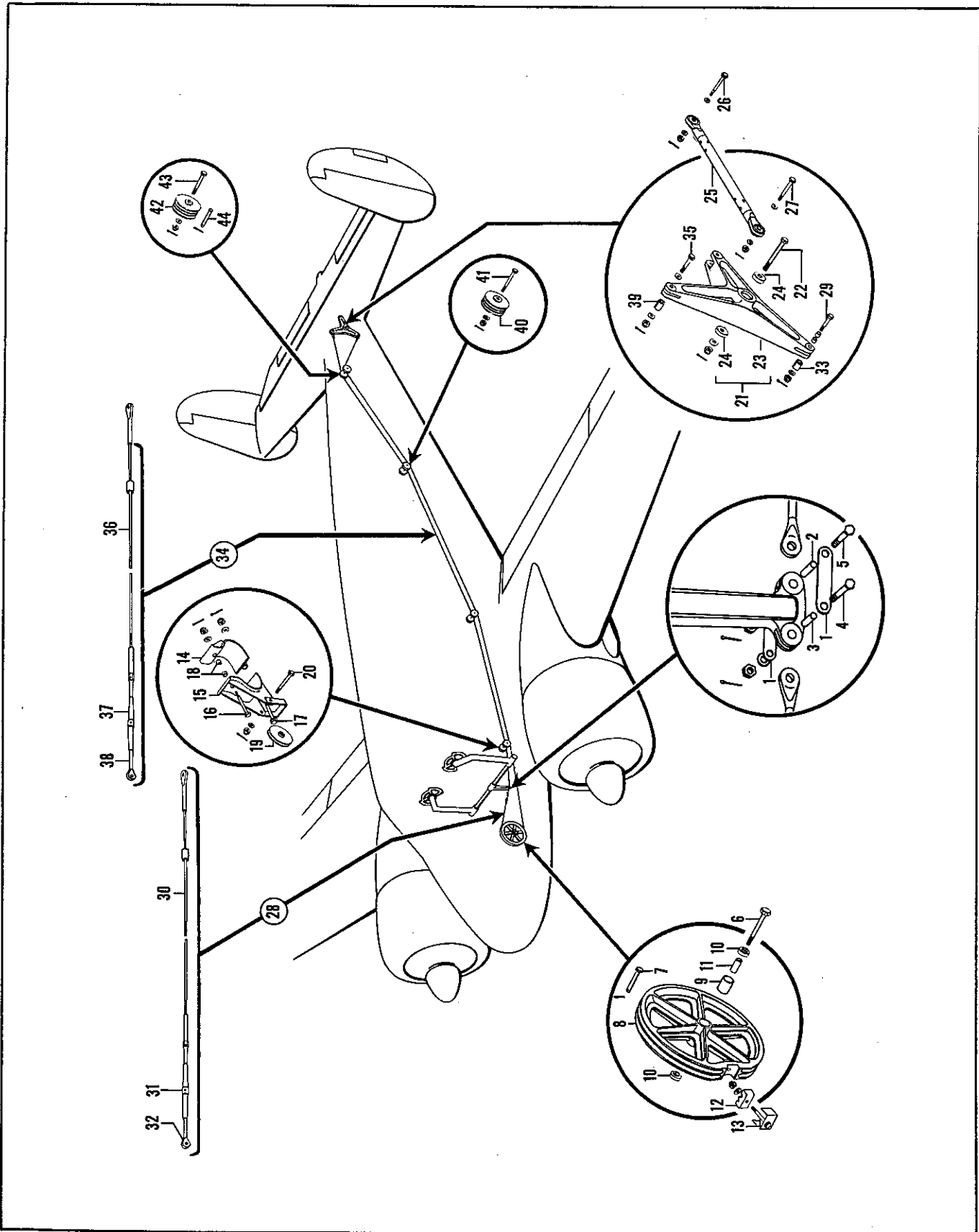


Figure 66. Elevator Control Installation

FIGURE and INDEX NUMBER	GROUP FLIGHT CONTROLS							Units Per Ass'y	Usage on Code	
	MAJOR ASSEMBLY ELEVATOR CONTROL INSTALLATION									
	PART NUMBER	1	2	3	4	5	6 7			NOMENCLATURE
66 -	644-187000	Controls Installation (See figure 1)							Ref	ALL
- 1	187517	Plate - Control side arm							2	ALL
- 2	804-187501	Bushing - Control side arm rear							1	ALL
- 3	804-187502	Bushing - Control side arm front							1	ALL
- 4	AN3-13(M)	Bolt - Aircraft No. 10-32 x1-3/8 in.							1	ALL
- 5	AN4-13(M)	Bolt - Aircraft 1/4-28 x 1-3/8 in.							1	ALL
	AN960-10	Washer - Plain No. 10							1	ALL
	AN960-416	Washer - Plain 1/4 in.							1	ALL
	AN310-3	Nut - Castellated No. 10-32							1	ALL
	AN310-4	Nut - Castellated 1/4-28							1	ALL
	AN380-2-2	Pin - Cotter 1/16 x 1/2 in.							2	ALL
	814-187282	Pulley - Elevator control							1	ALL
	Attaching Parts									
- 6	AN4-24(M)	Bolt - Aircraft 1/4-28 x 2-1/2 in.							1	ALL
	AN960-416	Washer - Plain 1/4 in.							1	ALL
	AN310-4	Nut - Castellated 1/4-28							1	ALL
	AN380-2-2	Pin - Cotter 1/16 x 1/2 in.							1	ALL
- 7	AN392-63	Pin - Flat head 1/8 x 1-31/32 in.							4	ALL
	AN380-2-2	Pin - Cotter 1/16 x 1/2 in.							4	ALL
- 8	814-187282-2	Wheel - Casting							1	ALL
- 9	187202	Spacer							1	ALL
- 10	K4	Bearing - (FAF)							2	ALL
- 11	814-187281	Spacer							1	ALL
- 12	814-187283	Clamp - Elevator servo cable							1	ALL
	Attaching Parts									
- 13	AN4-14A	Bolt - Aircraft 1/4-28 x 1-1/2 in.							1	ALL
	694-187002	Clip Assembly - Elevator servo cable							1	ALL
	AN960-416	Washer - Plain 1/4 in.							1	ALL
	AN365-428	Nut - Self locking 1/4-28							1	ALL
- 14	187171-4	Bracket - Half rear							1	ALL
- 15	187171-1	Bracket - Half front							1	ALL
	Attaching Parts									
- 16	AN4-17	Bolt - Aircraft 1/4-28 x 1-7/8 in.							1	ALL
- 17	AN4-22	Bolt - Aircraft 1/4-28 x 2-1/4 in.							1	ALL
	AN310-4	Nut - Castellated 1/4 in.							2	ALL
	AN380-2-2	Pin - Cotter 1/16 x 1/2 in.							2	ALL
- 18	187172	Bushing - Bracket bolt							2	ALL
- 19	AN210-3A	Pulley							2	ALL
	Attaching Parts									
- 20	AN4-14(M)	Bolt - Aircraft 1/4-28 x 1-17/32							1	ALL
	AN960-416	Washer - Plain 1/4 in.							1	ALL
	AN310-4	Nut - Castellated 1/4-28							1	ALL
	AN380-2-2	Pin - Cotter 1/16 x 1/2 in.							1	ALL
- 21	186138	Bellcrank assembly - Elevator							1	ALL

+

FIGURE and INDEX NUMBER	FLIGHT CONTROLS							Units Per Ass'y	Usage on Code
	MAJOR ASSEMBLY ELEVATOR CONTROL INSTALLATION Cont'd								
	PART NUMBER	1	2	3	4	5	6 7		
66 -	Attaching Parts								
- 22	AN4-26(M)							Bolt - Aircraft 1/4-28 x 2-3/4 in.	1 ALL
	AN960-416							Washer - Plain 1/4 in.	1 ALL
	AN310-4							Nut - Castellated 1/4-28	1 ALL
	AN380-2-2							Pin - Cotter 1/16 x 1/2 in.	2 ALL
- 23	186138-1							Bellcrank - Casting	1 ALL
- 24	K4							Bearing - (FAF)	2 ALL
- 25	186160-2							Link Assembly - Tail surface control	1 ALL
	Attaching Parts								
- 26	AN4-14(M)							Bolt - Aircraft 1/4-28 x 1-1/2 in.	1 ALL
- 27	AN4-15(M)							Bolt - Aircraft 1/4-28 x 1-5/8 in.	1 ALL
	AN310-4							Nut - Castellated 1/4-28	2 ALL
	AN960-416							Washer - Plain 1/4 in.	2 ALL
	AN380-2-2							Pin - Cotter 1/16 x 1/2 in.	2 ALL
	186160-4							Link - Control	1 ALL
	186161							End Assembly - Control link lower	1 ALL
	186161-1							End - Control link lower	1 ALL
	S1K-5							Bearing - (FAF)	1 ALL
	186186							End Assembly - Control link upper	1 ALL
	186186-2							End - Control link upper	1 ALL
	SIK-5							Bearing - (FAF)	1 ALL
- 28	187097							Cable Assembly - Elevator long	1 ALL
	Attaching Parts								
- 29	AN3-11(M)							Bolt - Aircraft No. 10-32x1-1/8 in.	1 ALL
	AN960-10							Washer - Plain No. 10	1 ALL
	AN310-3							Nut - Castellated No. 10-32	1 ALL
	AN380-2-2							Pin - Cotter 1/16 x 1/2 in.	1 ALL
- 30	187097-1							Cable - Elevator long	1 ALL
- 31	AN155-32L							Barrel - Turnbuckle	1 ALL
- 32	187097-3							Eye - Cable	1 ALL
- 33	187022							Bushing - Cable eye	1 ALL
- 34	187096							Cable Assembly - Elevator short	1 ALL
	Attaching Parts								
- 35	AN4-12(M)							Bolt - Aircraft 1/4-28 x 1-1/4 in.	1 ALL
	AN960-416							Washer - Plain 1/4 in.	1 ALL
	AN310-4							Nut - Castellated 1/4-28	1 ALL
	AN380-2-2							Pin - Cotter 1/16 x 1/2 in.	1 ALL
- 36	187096-1							Cable - Elevator short	1 ALL
- 37	AN155-46L							Barrel - Turnbuckle	1 ALL
- 38	187096-3							Eye - Cable	1 ALL
- 39	187021							Bushing - Cable eye	1 ALL
- 40	AN210-3A							Pulley	4 ALL
	Attaching Parts								
- 41	S-126-36							Bolt	2 ALL

FIGURE and INDEX NUMBER	GROUP FLIGHT CONTROLS							Units Per Ass'y	Usage on Code	
	MAJOR ASSEMBLY ELEVATOR CONTROL INSTALLATION Cont'd									
	PART NUMBER	1	2	3	4	5	6 7			NOMENCLATURE
66 - 41	100951-S-032									
	-008-016							Washer	2	ALL
	AN320-4							Nut - Castle shear 1/4-28	2	ALL
	AN380-2-2							Pin - Cotter 1/16 x 1/2 in.	2	ALL
- 42	AN210-3A							Pulley	2	ALL
								Attaching Parts		
- 43	AN4-15(M)							Bolt - Aircraft 1/4-28 x 1-5/8 in.	1	ALL
	AN960-416							Washer - Plain 1/4 in.	1	ALL
	AN310-4							Nut - Castellated 1/4-28	1	ALL
- 44	AN392-37							Pin - Flat head 1/8 x 1-5/32 in.	1	ALL
	AN380-2-2							Pin - Cotter 1/16 x 1/2 in.	2	ALL

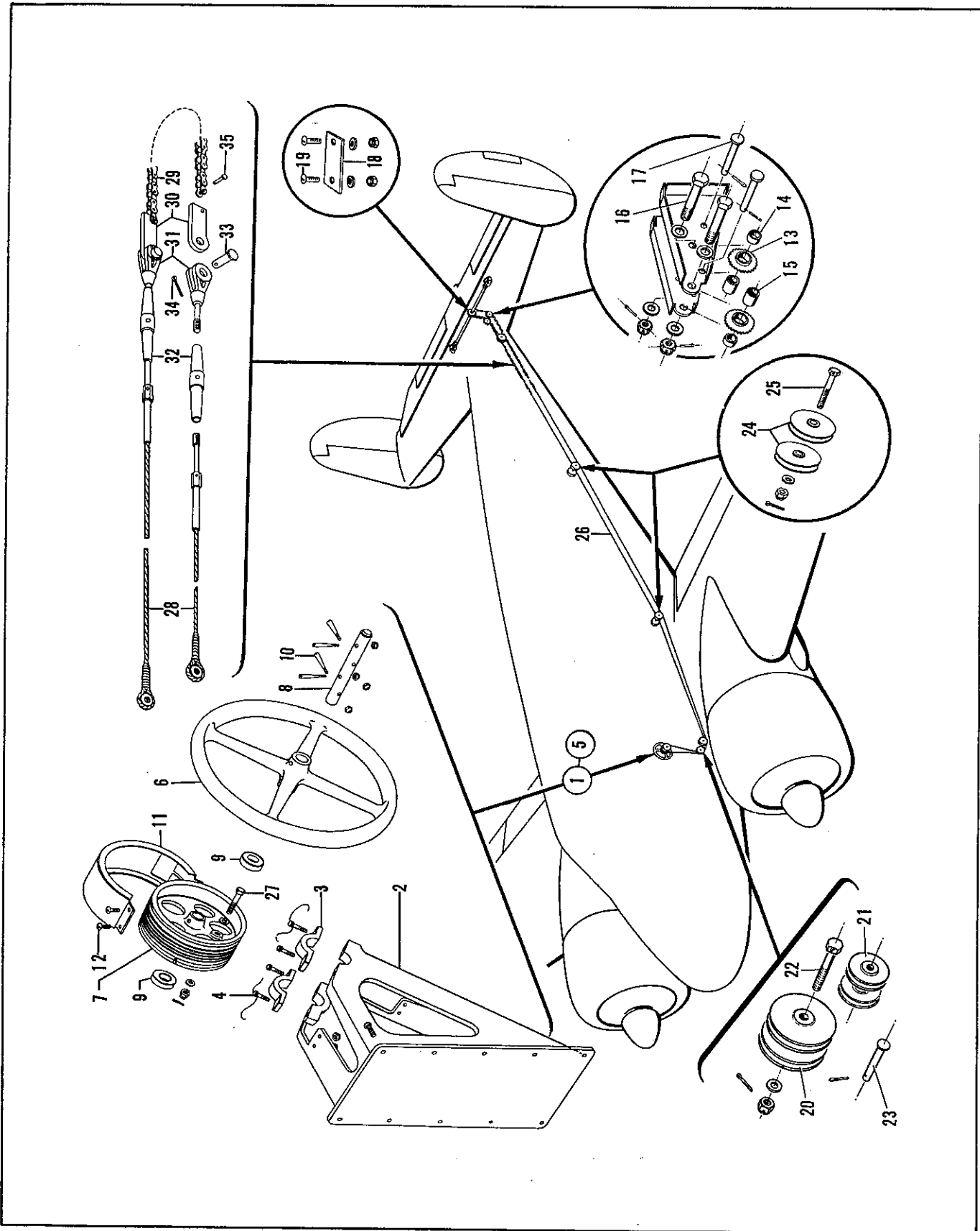


Figure 67. Elevator Tab Control Installation



FIGURE and INDEX NUMBER	GROUP FLIGHT CONTROLS							Units Per Ass'y	Usage on Code	
	MAJOR ASSEMBLY ELEVATOR TAB CONTROL INSTALLATION									
	PART NUMBER	1	2	3	4	5	6			7
67 -	644-187000	Controls Installation ( See figure 1)							Ref	ALL
- 1	187600	Control Assembly - Elevator tab							1	ALL
- 2	187601-1	Bracket - Tab control wheel							1	ALL
	Attaching Parts									
	AN526-8-12	Screw - Truss head No. 8-32 x 3/4 in.							10	ALL
- 3	187601-2	Cap - Control wheel bracket							2	ALL
	Attaching Parts									
- 4	AN500A-10-12	Screw - Fillister head No. 10-24 x 3/4 in.							4	ALL
	187602	Wheel Assembly - Elevator tab control							1	ALL
- 6	18761	Wheel - Control							1	ALL
- 7	187717A	Sheave - Elevator tab control							1	ALL
- 8	187603	Shaft - Control wheel							1	ALL
- 9	K6A	Bearing - (FAF)							2	ALL
	Attaching Parts									
- 10	187714-3	Pin - Taper							4	ALL
	AN365-632	Nut - Self locking No. 6-32							4	ALL
- 11	187604	Guard - Elevator tab sheave cover							1	ALL
	Attaching Parts									
- 12	AN526-6-6	Screw - Brazier head No. 6-32 x 3/8 in.							4	ALL
	AN365-632	Nut - Self locking No. 6-32							4	ALL
- 13	187735-2	Sprocket - Elevator tab control							2	ALL
- 14	187736-2	Spacer - Sprocket							2	ALL
- 15	187736-1	Bushing - Sprocket spacer							2	ALL
	Attaching Parts									
- 16	AN4-11	Bolt - Aircraft 1/4-28 x 1-1/8 in.							2	ALL
	AN960-416L	Washer - Plain 1/4 in.							2	ALL
	AN960-416	Washer - Plain 1/4 in.							2	ALL
	AN310-4	Nut - Castellated 1/4-28							2	ALL
	AN360-2-2	Pin - Cotter 1/16 x 1/2 in.							4	ALL
- 17	AN392-21	Pin - Flat head 1/8 x 21/32 in.							2	ALL
- 18	187737-1	Guard - Elevator tab control chain							1	ALL
	Attaching Parts									
- 19	AN526-6-6	Screw - Truss head No. 6-32 x 3/8 in.							2	ALL
	AN365-632	Nut - Self locking No. 6-32							2	ALL
	AN960-6	Washer - Plain No. 6							2	ALL
- 20	AN210-2A	Pulley							2	ALL
- 21	AN210-1A	Pulley							2	ALL
	Attaching Parts									
- 22	AN3-11	Bolt - Aircraft No. 10-32 x 1-1/8 in.							2	ALL
	AN960-10	Washer - Plain No. 10							2	ALL
	AN310-3	Nut - Castellated No. 10-32							2	ALL
	AN380-2-2	Pin - Cotter 1/16 x 1/2 in.							4	ALL

FIGURE and INDEX NUMBER	GROUP FLIGHT CONTROLS							Units Per Ass'y	Usage on Code	
	MAJOR ASSEMBLY ELEVATOR TAB CONTROL INSTALLATION Cont'd									
	PART NUMBER	1	2	3	4	5	6 7			NOMENCLATURE
67 - 23	AN392-23							Pin - Flat head 1/8 x 23/32 in.	2	ALL
- 24	AN210-1A							Pulley	4	ALL
								Attaching Parts		
- 25	AN3-11							Bolt - Aircraft No. 10-32 x 1-1/8 in.	2	ALL
	AN960-10							Washer - Plain No. 10	2	ALL
	AN310-3							Nut - Castellated No. 10-32	2	ALL
	AN380-2-2							Pin - Cotter 1/16 x 1/2 in.	2	ALL
- 26	187156							Cable Assembly - Elevator tab control	1	ALL
								Attaching Parts		
- 27	AN3-7							Bolt - Aircraft No. 10-32 x 7/8 in.	1	ALL
	AN960-10							Washer - Plain No. 10	2	ALL
	AN310-3							Nut - Castellated No. 10	1	ALL
	AN380-2-2							Pin - Cotter 1/16 x 1/2 in.	1	ALL
- 28	187156-2							Cable - Elevator tab control	2	ALL
- 29	187156-4							Chain - (No. 5B2 steel stud chain ;BGW)	1	ALL
- 30	187108							Link - Chain	2	ALL
- 31	AN161-16RS							Fork	2	ALL
- 32	AN155-16S							Barrel - Turnbuckle	2	ALL
- 33	AN393-11							Pin - Flat head 3/16 x 11/32 in.	2	ALL
- 34	AN380-2-2							Pin - Cotter 1/16 x 1/2 in.	2	ALL
- 35	102809-A078 -012							Pin	2	ALL

+



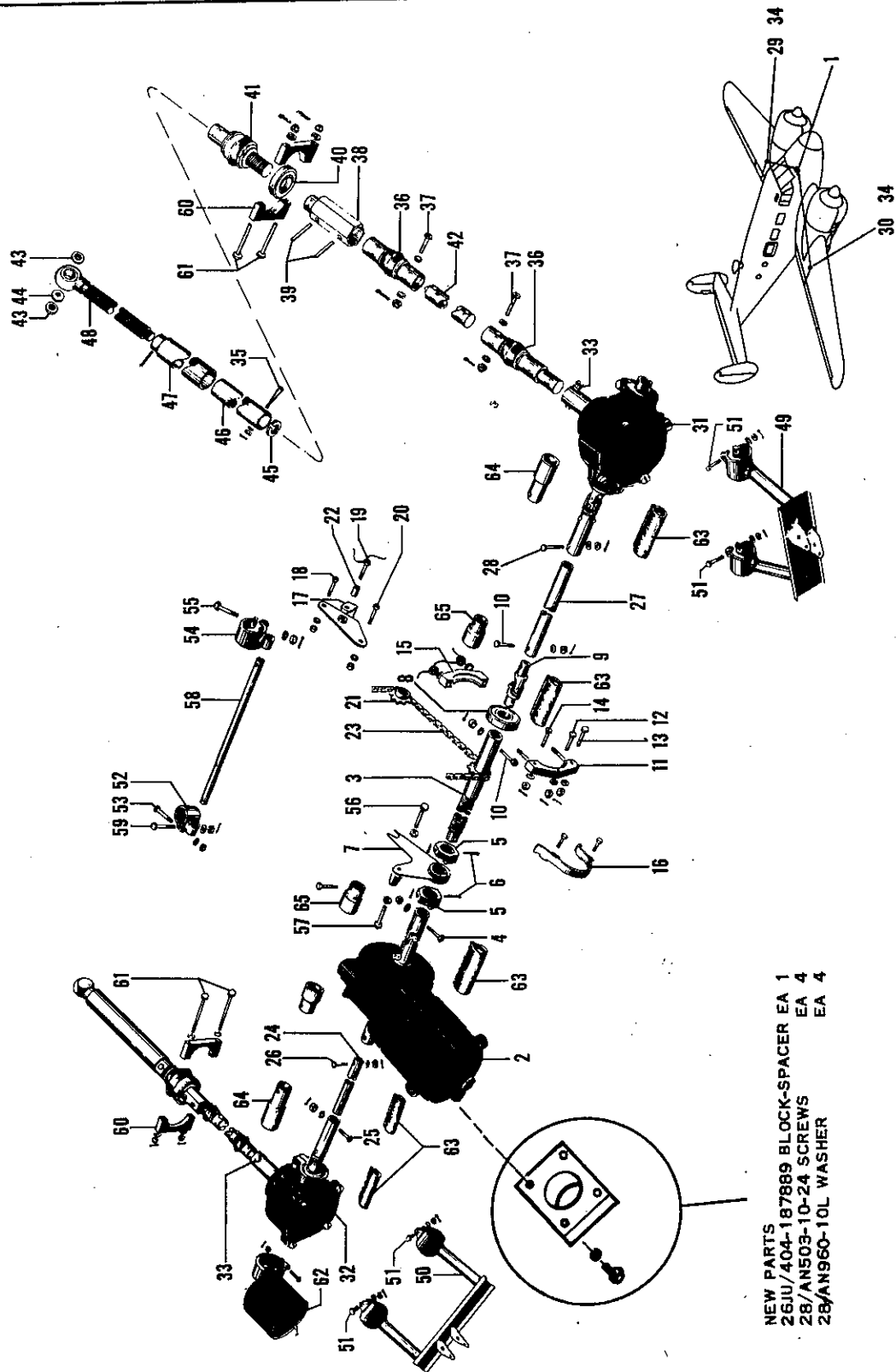


Figure 68 (Issue 1) Wing Flap Mechanism Installation

FIGURE and INDEX NUMBER	GROUP FLIGHT CONTROLS							Units Per Ass'y	Usage on Code	
	MAJOR ASSEMBLY WING FLAP MECHANISM INSTALLATION									
	PART NUMBER	1	2	3	4	5	6 7			NOMENCLATURE
68 -	404-187840							Mechanism Installation - Wing flap (See Figure 1)	Ref	ALL
- 1	404-187830							Mechanism Assembly - Wing flap	1	ALL
- 2	404-187835*							Motor Assembly - Flap mechanism (See Figure 69)	1	ALL
	187090*							Clutch and Motor Assembly - Flap mechanism (See Figure 69)	1	ALL
								OR		
	187090-3							Clutch and Motor Assembly - Flap mechanism (use for spare part - consists of motor, worm gear, bearings, keys and mechanism assembly)	1	ALL
	187090-2							Mechanism Assembly - Flap (use for spare part - consists of clutch, clutch housing, gears, shafts, bearings, cover and universal)	1	ALL
- 3	187825							Shaft - Flap mechanism cross	1	ALL
								Attaching Parts		
- 4	AN3-11							Bolt - Aircraft No. 10-32 x 1/2 in.	1	ALL
	AN960-10							Washer - Plain No. 10	1	ALL
	AN310-3							Nut - Castellated No. 10-32	1	ALL
- 5	187755							Stop - Flap mechanism arm limit switch	2	ALL
								Attaching Parts		
- 6	AN393-37							Pin - Flat head 1/8 x 1-5/32 in.	2	ALL
	AN380-2-2							Pin - Cotter 1/16 x 1/2 in.	2	ALL
- 7	187812							Arm - Flap limit switch	1	ALL
- 8	AN201-K12A							Bearing - (SHZ)	1	ALL
- 9	187752-2							Universal - Flap mechanism	1	ALL
								Attaching Parts		
- 10	S124-24							Bolt - Aircraft No. 10-32 x 1-1/16 in.	2	ALL
	AN960-10L							Washer - Plain No. 10	2	ALL
	AN320-3							Nut - Castle shear No. 10-32	2	ALL
	AN380-2-2							Pin - Cotter 1/16 x 1/2 in.	2	ALL
- 11	187753-1							Housing Assembly - Bearing cross shaft flap	1	ALL
								OR		
	187753-601							Housing Assembly - Bearing Cross Shaft Flap (use for spare part)	1	ALL
								Attaching Parts		
- 12	S73-12							Bolt - Spherical head 2/16 x 1-9/32 in.	1	ALL
- 13	AN3-12							Bolt - Aircraft No. 10-32x 1-1/4 in.	1	ALL
- 14	S73-11							Bolt - Spherical head 3/16 x 1-5/32 in.	1	ALL
	AN960-10							Washer - Plain No. 10	3	ALL
	AN310-3							Nut - Castellated No. 10-32	3	ALL
	AN380-2-2							Pin - Cotter 1/16 x 1/2 in.	3	ALL
- 15	187753-2							Housing - Bearing cross shaft flap	1	ALL

\*These parts are interchangeable.

FIGURE and INDEX NUMBER	GROUP FLIGHT CONTROLS							Units Per Ass'y	Usage on Code	
	MAJOR ASSEMBLY		WING FLAP MECHANISM INSTALLATION Cont'd							
	PART NUMBER	1	2	3	4	5	6			7
68 - 15	Attaching Parts									
	AN310-4							Nut - Castellated 1/4-28	2	ALL
	AN960-416							Washer - Plain 1/4 in.	2	ALL
- 16	188851-2							Guard - Sprocket	1	ALL
- 17	187788							Guard Assembly - Wing flap handcrank chain	1	ALL
	Attaching Parts									
- 18	AN3-4A							Bolt - Aircraft No. 10-32 x 1/2 in.	1	ALL
- 19	AN74-7							Bolt - Aircraft 1/4-28 x 7/8 in.	1	ALL
- 20	AN3-5A							Bolt - Aircraft No. 10-32 x 5/8 in.	1	ALL
	AN960-10							Washer - Plain No. 10	2	ALL
	AN365-1032							Nut - Self locking No. 10-32	2	ALL
- 21	188562							Sprocket - Idler	1	ALL
- 22	188009							Bushing - Sprocket	1	ALL
- 23	187785							Chain - Wing flap handcrank	1	ALL
- 24	187831							Tube - Wing flap drive	1	ALL
	Attaching Parts									
- 25	AN3-10							Bolt - Aircraft No. 10-32 x 1 in.	1	ALL
- 26	AN3-7							Bolt - Aircraft No. 10-32 x 7/8 in.	1	ALL
	AN960-10							Washer - Plain No. 10	2	ALL
	AN310-3							Nut - Castellated No. 10-32	2	ALL
	AN380-2-2							Pin - Cotter 1/16 x 1/2 in.	2	ALL
- 27	187787-1							Tube - Wing flap mechanism drive	1	ALL
	Attaching Parts									
- 28	AN3-10							Bolt - Aircraft No. 10-32 x 1 in.	1	ALL
	AN3-7							Bolt - Aircraft No. 10-32 x 7/8 in.	1	ALL
	AN960-10							Washer - Plain No. 10	2	ALL
	AN310-3							Nut - Castellated No. 10-32	2	ALL
	AN380-2-2							Pin - Cotter 1/16 x 1/2 in.	2	ALL
- 29	894-187758							Mechanism Assembly - Flap control outboard LH	1	ALL
- 30	894-187759							Mechanism Assembly - Flap control outboard RH	1	ALL
- 31	894-187760							Gear Box Assembly - Flap control LH (See Figure 70)	1	ALL
- 32	894-187761							Gear Box Assembly - Flap control RH (See Figure 70)	1	ALL
	Attaching Parts									
- 33	AN4-11							Bolt - Aircraft 1/4-28 x 1-1/8 in.	1	ALL
	AN960-416L							Washer - Plain 1/4 in.	1	ALL
	AN320-4							Nut - Castle shear 1/4-28	1	ALL
- 34	187762							Screw Assembly - Flap control	1	ALL
	Attaching Parts									
- 35	187798							Pin - Taper	1	ALL
	AN960-416							Washer - Plain 1/4 in.	1	ALL
	AN320-3							Nut - Castle shear No. 10-32	1	ALL
	AN380-2-2							Pin - Cotter 1/16 x 1/2 in.	1	ALL

FIGURE and INDEX NUMBER	GROUP FLIGHT CONTROLS							Units Per Ass'y	Usage on Code		
	MAJOR ASSEMBLY		WING FLAP MECHANISM INSTALLATION Cont'd								
	PART NUMBER	1	2	3	4	5	6			7	NOMENCLATURE
68 - 36	AN271-B10								Joint - Universal	2	ALL
		Attaching Parts									
- 37	AN4-11								Bolt - Aircraft 1/4-28 x 1-1/8 in.	1	ALL
	AN960-416								Washer - Plain 1/4 in.	2	ALL
	AN310-4								Nut - Castellated 1/4-28	1	ALL
	AN380-2-2								Pin - Cotter 1/16 x 1/2 in.	1	ALL
- 38	187777								Collar	1	ALL
- 39	187762-2								Pin - Collar	2	ALL
- 40	203KDD								Bearing - (FAF)	1	ALL
- 41	106561								Universal	1	ALL
- 42	187762-4								Shaft - Flap control	1	ALL
- 43	K4A								Bearing - Screw assembly (FAF)	2	ALL
- 44	187828								Spacer - Bearing	1	ALL
- 45	187805								Ring - Lock	1	ALL
- 46	187763								Housing - Flap screw	1	ALL
- 47	187778								Shield - Flap screw dust	1	ALL
- 48	187776								Screw - Flap	1	ALL
- 49	894-187820								Bracket Assembly - Flap gear housing LH	1	ALL
- 50	894-187820-1								Bracket Assembly - Flap gear housing RH	1	ALL
		Attaching Parts									
- 51	AN4-10								Bolt - Aircraft 1/4-28 x 1-1/8 in.	2	ALL
	AN960-416								Washer - Plain 1/4 in.	2	ALL
	AN310-4								Nut - Castellated 1/4-28	2	ALL
	AN380-2-2								Pin - Cotter 1/16 x 1/2 in.	2	ALL
- 52	187756-3								Bracket Assembly - Flap limit switch arm slide	1	ALL
		Attaching Parts									
- 53	AN3-7								Bolt - Aircraft No. 10-32 x 7/8 in.	1	ALL
	AN960-10								Washer - Plain No. 10	1	ALL
	AN310-3								Nut - Castellated No. 10-32	1	ALL
	AN380-2-2								Pin - Cotter 1/16 x 1/2 in.	1	ALL
- 54	187756-1								Bracket Assembly - Flap limit switch arm slide	1	ALL
		Attaching Parts									
- 55	AN3-7								Bolt - Aircraft No. 10-32 x 7/8 in.	1	ALL
	AN960-10								Washer - Plain No. 10	1	ALL
	AN310-3								Nut - Castellated No. 10-32	1	ALL
	AN380-2-2								Pin - Cotter 1/16 x 1/2 in.	1	ALL
- 56	187838								Bolt - Flap limit switch adjusting	1	ALL
	AN316-5R								Nut - Check 5/16-24	1	ALL
- 57	694-187837								Bolt - Flap limit switch adjusting	1	ALL
	AN315-3R								Nut - Plain aircraft No. 10-32	1	ALL
- 58	187786								Tube - Wing flap arm slide	1	ALL
		Attaching Parts									
- 59	AN3-7								Bolt - Aircraft No. 10-32 x 7/8 in.	1	ALL
	AN960-10								Washer - Plain No. 10	1	ALL

FIGURE and INDEX NUMBER	GROUP FLIGHT CONTROLS							Units Per Ass'y	Usage on Code			
	MAJOR ASSEMBLY		WING FLAP MECHANISM INSTALLATION Cont'd.									
	PART NUMBER	1	2	3	4	5	6			7	NOMENCLATURE	
68 - 59	AN310-3								Nut - Castellated No. 10-32	1	ALL	
	AN380-2-2								Pin - Cotter 1/16 x 1/2 in.	1	ALL	
- 60	187773								Housing - Flap control screw bearing	1	ALL	
		Attaching Parts										
- 61	AN4-24								Bolt - Aircraft 1/4-28 x 2-1/2 in.	2	ALL	
	AN960-416								Washer - Plain 1/4 in.	4	ALL	
	AN310-4								Nut - Castellated 1/4-28	2	ALL	
	AN380-2-2								Pin - Cotter 1/16 x 1/2 in.	2	ALL	
- 62	406807*								Rheostat Assembly - Flap (SW)	1	ALL	
	187800*								Rheostat Assembly - Flap	1	ALL	
- 63	187837								Boot Assembly - Flap Shaft	5	ALL	
									OR			
	2MBA13509								Boot Assembly - Flap Shaft	5	ALL	
- 64	187779-1								Guard - Flap control shaft universal	2	ALL	
- 65	187779-2								Guard - Flap control shaft universal	3	ALL	
*These parts are interchangeable.												



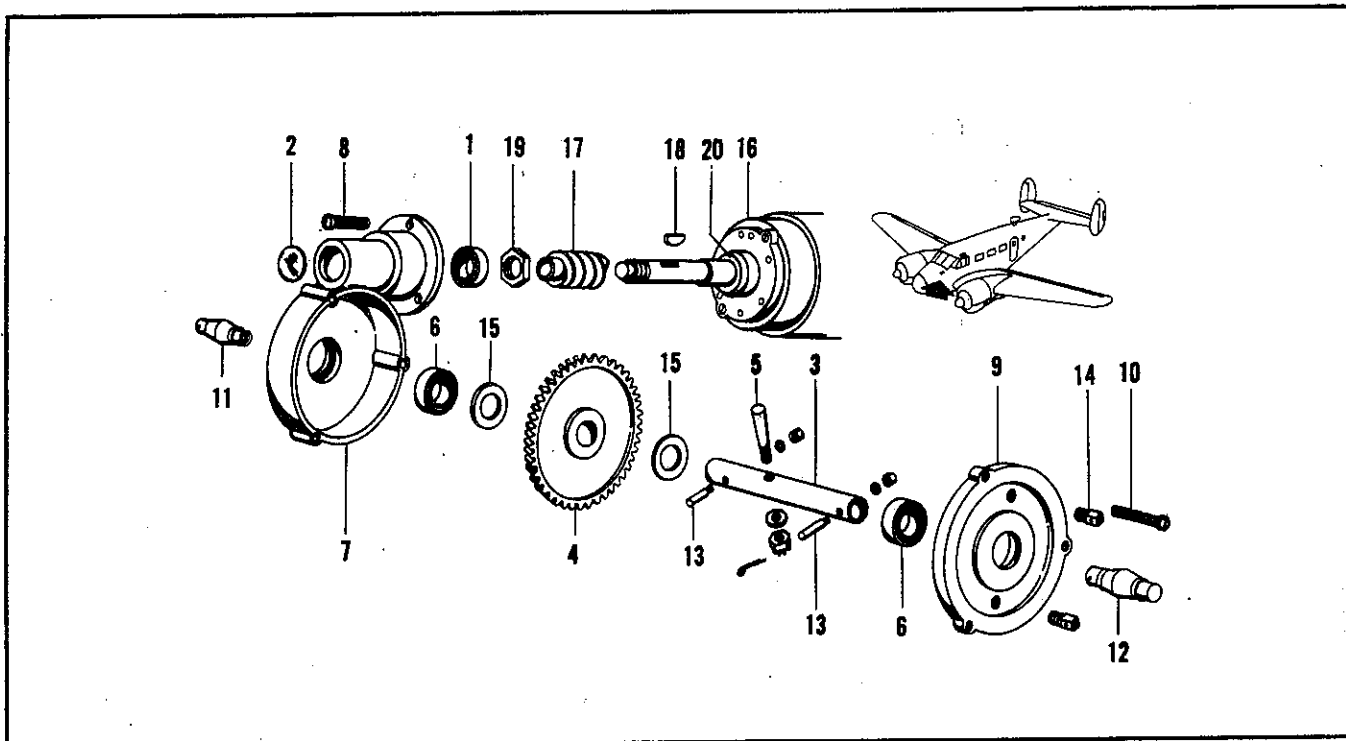


Figure 69 (Issue 1) Flap Mechanism Motor Assembly

FIGURE and INDEX NUMBER	GROUP FLIGHT CONTROLS							Units Per Assy	Usage on Code		
	MAJOR ASSEMBLY FLAP MECHANISM MOTOR ASSEMBLY										
	PART NUMBER	1	2	3	4	5	6			7	NOMENCLATURE
69-	404-187835								Motor Assembly - Flap mechanism (See Figure 68)	Ref.	All
	187090								Clutch and Motor Assembly - Flap mechanism (See Figure 68)	Ref.	All
	404-187835-601								Housing and Gear Assembly - Flap mechanism (less motor, worm gear, key woodruff and nut check)	1	All
-1	AN201-K4A								Bearing - Motor shaft	1	All
-2	10319A-040-024								Plug Gear Housing	1	All
-3	404-187825								Shaft - Flap gear	1	All
-4	187796-2								Gear - Flap mechanism drive	1	All
-5	187808								Pin Taper	1	All
	AN960-10								Washer - Plain No. 10	2	All
	AN310-3								Nut - Castellated No. 10-32	2	All
	AN380-2-2								Pin - 1/16 in. x 1/2 in.	2	All
-6	AN201-K8A								Bearing - Clutch shaft	2	All
-7	404045								Housing - Flap motor drive	2	All
-8	AN500A-10-8								Screw Fillister Head No. 10-32 x 1/2 in.	3	All
-9	187793								Plate - Flap motor gear housing cover	1	All
-10	AN500A-10-8								Screw Fillister Head No. 10-32 x 1/2 in.	3	All
-11	187797								Universal - Clutch shaft (Apex joint U-27192-17) APX	1	All

Part 2  
Group Assembly Part List

EO 05-45B-4

Figure and Index Number	Group FLIGHT CONTROL						Units per Assy	Usage on Code			
	Major Assembly FLAP MECHANISM MOTOR ASSEMBLY										
	Part	1	2	3	4	5 6 7			Nomenclature		
69 - 12	187809	.	.	.	.	.	.	Universal - Clutch shaft (Apex joint 271510-5) APX	1	ALL	
- 13	AN386-1-6A	.	.	.	.	.	.	Pin - Tapered No. 10-32 x 1-19/32 in.	2	ALL	
	AN364-1032	.	.	.	.	.	.	Nut - Self locking No. 10-32	2	ALL	
	AN975-3	.	.	.	.	.	.	Washer - Taper pin No. 10	2	ALL	
- 14	AN895-B70	.	.	.	.	.	.	Plug	2	ALL	
- 15	105090-B-003-8-028*	.	.	.	.	.	.	Washer - Gear flap centering mechanism	2	ALL	
	105090-B-004-8-028	.	.	.	.	.	.	Washer - Gear flap centering mechanism	AR	ALL	
	105090-B-005-8-028	.	.	.	.	.	.	Washer - Gear flap centering mechanism	AR	ALL	
	105090-B-010-8-028	.	.	.	.	.	.	Washer - Gear flap centering mechanism	AR	ALL	
	105090-B-020-8-028	.	.	.	.	.	.	Washer - Gear flap centering mechanism	AR	ALL	
- 16	804-182626	.	.	.	.	.	.	Motor Assembly (Reworked from Dunmore KBL-24V, Specification 5367, split field reversible)	1	ALL	
	Attaching Parts.										
	AN503-10-24	.	.	.	.	.	.	Screw Fillister head	4	ALL	
	AN960-10	.	.	.	.	.	.	Washer	4	ALL	
	26JU/404-187889	.	.	.	.	.	.	Block Fibre	1	ALL	
- 17	187796-1	.	.	.	.	.	.	Worm - Motor shaft	1	ALL	
- 18	AN280-H-304	.	.	.	.	.	.	Key Woodruff 3/32 in. x 1/2 in.	1	ALL	
- 19	AN316-5R	.	.	.	.	.	.	Nut - Check	1	ALL	
- 20	CO43069-2	.	.	.	.	.	.	Bushing - (Used with lamb motors only)	1	ALL	
	* Not to be used alone.										

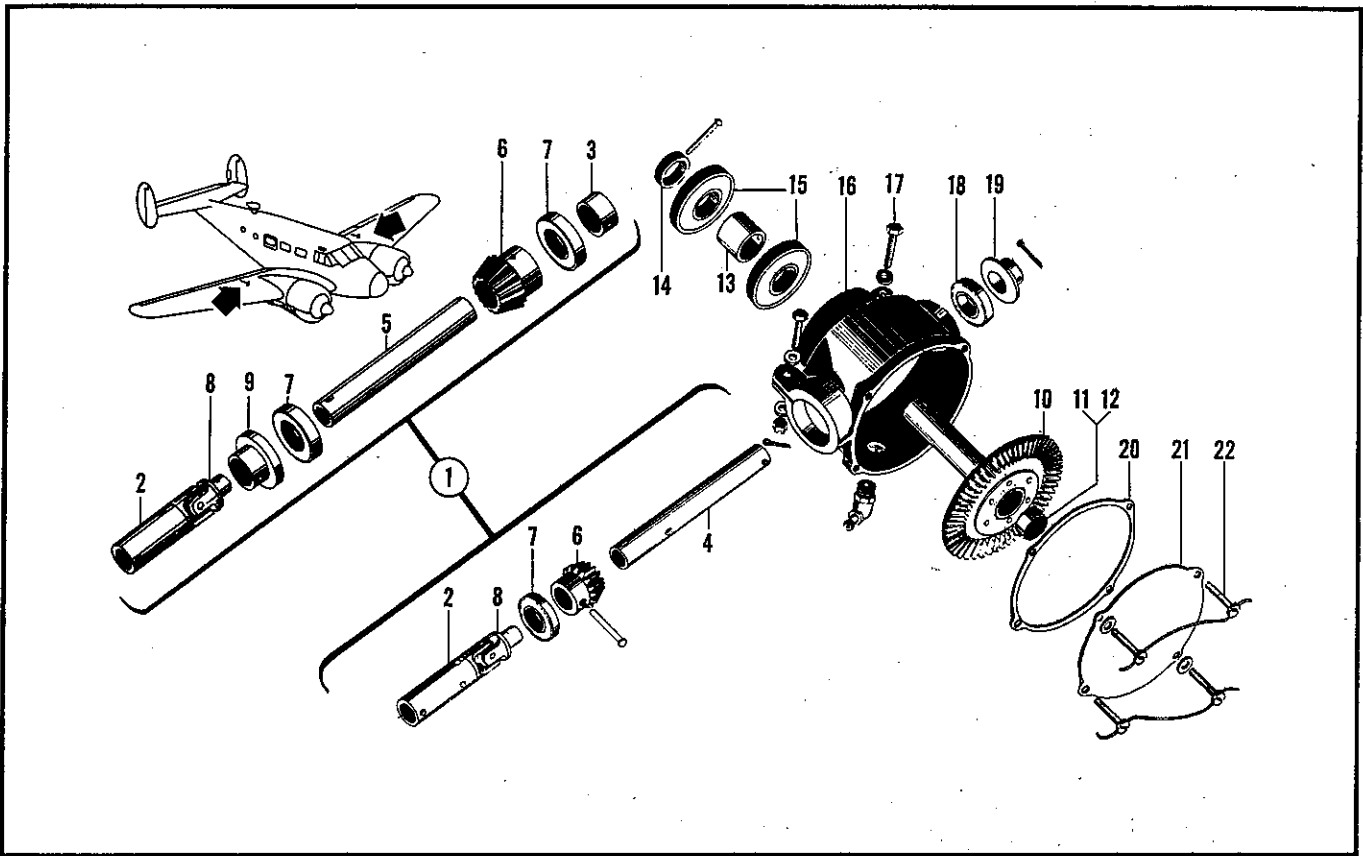


Figure 70. Flap Control Gear Box Assembly

FIGURE and INDEX NUMBER	GROUP FLIGHT CONTROLS		Units Per Ass'y	Usage on Code
	MAJOR ASSEMBLY FLAP CONTROL GEAR BOX ASSEMBLY			
	PART NUMBER	1 2 3 4 5 6 7 NOMENCLATURE		
70 -	894-187760L	Box Assembly - Flap control gear LH (See Figure 68)	Ref	ALL
	894-187761	Box Assembly - Flap control gear RH (See Figure 68)	Ref	ALL
- 1	187764L 187764R	Shaft Assembly - (For LH box) Shaft Assembly - (For RH box)	1 1	ALL ALL
- 2	187764L-1 187764R-1	Tube - Shaft assembly Tube - Shaft assembly	1 1	ALL ALL
- 3	187764L-2	Tube - Shaft assembly	1	ALL
- 4	187764R-2	Tube - Shaft assembly	1	ALL
- 5	187764L-3	Tube - Shaft assembly	1	ALL
- 6	187771 187771	Gear - Pinion flap control - Right shaft Gear - Pinion flap control - Left shaft	1 1	ALL ALL
- 7	AN201-K8A AN201-K8A	Bearing - Right shaft Bearing - Left shaft	1 2	ALL ALL
- 8	187752-2	Universal - Flap mechanism	1	ALL
- 9	187772	Collar - Flap control LH	1	ALL
- 10	894-187767	Gear Assembly - Flap control ring	1	ALL

FIGURE and INDEX NUMBER	GROUP FLIGHT CONTROLS							Units Per Ass'y	Usage on Code	
	MAJOR ASSEMBLY FLAP CONTROL GEAR BOX ASSEMBLY Cont'd									
	PART NUMBER	1	2	3	4	5	6 7			NOMENCLATURE
70 - 11	187761-2L							Plug - Maple	1	ALL
- 12	894-187760-2L							Plug - Maple	1	ALL
	894-187761-2R							Plug - Maple	1	ALL
- 13	187775-2							Spacer - Bearing	1	ALL
- 14	187775-4							Collar	1	ALL
- 15	KP-12-A							Bearing - Shaft (FAF)	2	ALL
- 16	18776-1							Housing - Gear box LH	1	ALL
	18776-4							Housing - Gear box RH	1	ALL
		Attaching Parts								
- 17	AN3-10							Bolt - Aircraft No. 10-32 x 1 in.	2	ALL
	AN310-3							Nut - Castellated No. 10-32	2	ALL
	AN960-10							Washer - Plain No. 10	2	ALL
- 18	KP-8-A							Bearing - Shaft (RH box only) (FAF)	1	ALL
- 19	187772							Collar - Flap control box assembly RH	1	ALL
- 20	18776-3							Gasket - Housing cover	1	ALL
- 21	18776-2							Cover - Housing	1	ALL
		Attaching Parts								
- 22	AN500A-416-8							Screw - Fillister head 1/4-20 x 1/2 in.	4	ALL
	AN960-416							Washer - Plain 1/4 in.	4	ALL

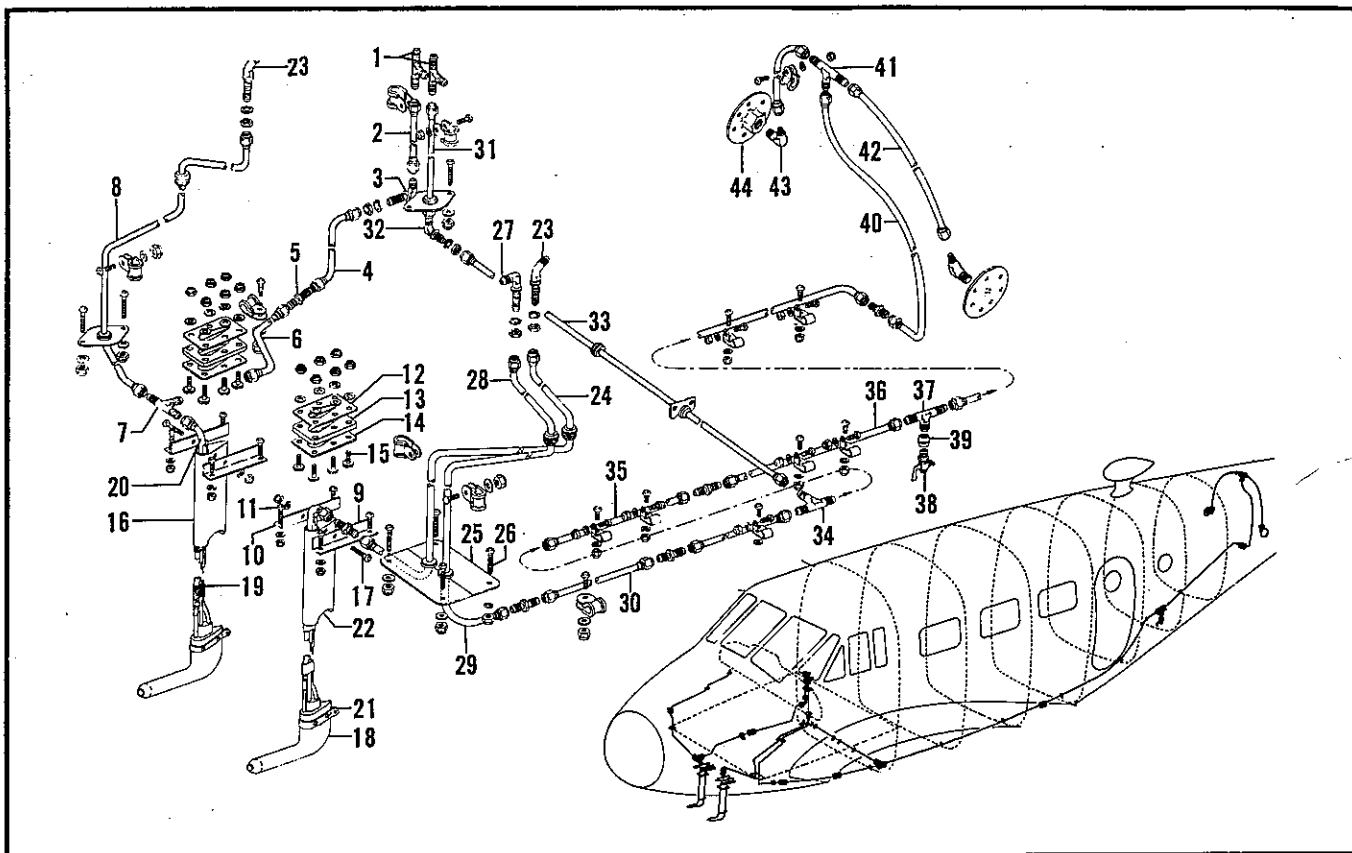


Figure 71 Pitot and Static Pressure Line Installation

FIGURE and INDEX NUMBER	GROUP FURNISHINGS							Units Per Ass'y	Usage on Code		
	MAJOR ASSEMBLY PITOT AND STATIC PRESSURE LINE INSTALLATION										
	PART NUMBER	1	2	3	4	5	6			7	NOMENCLATURE
71 -	644-184720								Lines Installation - Pitot and static pressure (See Figure 1)	REF	AB
	644-184730								Lines Installation - Pitot and static pressure (See Figure 1)	REF	C
	1MBA13594								Lines Installation - Pitot and static pressure (See Figure 1)	REF	D
- 1	AN824-4D								Tee	2	AB
- 2	644-184721-20								Tube Assembly - Pitot pressure	1	AB
- 3	AN833-4D								Elbow - 90 - degree	1	AB
	AN960-716								Washer - Plain 7/16 in.	1	AB
	AN929-4D								Nut - Cap	1	AB
- 4	644-184721-44								Tube Assembly - Pitot pressure	1	AB
- 5	AN815-4D								Union	4	AB
- 6	644-184721-24								Tube Assembly - Pitot pressure	1	AB
- 7	AN824-4D								Tee	1	AB
	AN815-4D								Union	1	C
- 8	901-184778								Tube Assembly - Pitot mast and instrument RH	1	ALL

FIGURE and INDEX	GROUP FURNISHINGS							Units Per Ass'y	Usage on Code	
	MAJOR ASSEMBLY PITOT AND STATIC PRESSURE LINE INSTALLATION Cont'd									
	PART NUMBER	1	2	3	4	5	6 7			NOMENCLATURE
71 - 9	404-184718							Support - Pitot mast	1	ALL
	404-184718-1							Support - Pitot mast	1	ALL
- 10	404-184719							Support - Pitot mast	1	ALL
	404-184719-1							Support - Pitot mast	1	ALL
	Attaching Parts									
- 11	AN526-8-R7							Screw - Brazier head No. 8-32 x 7/16 in.	6	ALL
	AN960-8							Washer - Plain No. 8	6	ALL
	AN365-832							Nut - Self locking No. 8-32	6	ALL
- 12	804-184732-4							Plate - Pitot mast upper (1 LH and 1 RH)	2	ALL
- 13	804-184734							Packing (1 LH and RH)	2	ALL
- 14	804-184732-2							Plate - Pitot mast lower (1 LH and 1 RH)	2	ALL
- 15	AN526-832R10							Screw - Brazier head No. 8-32 x 5/8 in.	6	ALL
	AN960-8							Washer - Plain No. 8	6	ALL
	AN365-832							Nut - Self locking No. 8-32	6	ALL
- 16	404-184757							Mast Assembly - Pitot (1 LH and 1 RH)	2	ALL
	OR									
	404-184757-607							Mast Assembly - Pitot LH (use for spare part - consists of pitot head, loom, mast and pitot tube assembly)	1	ALL
	404-184757-608							Mast Assembly - Pitot RH (use for spare part - consists of pitot head, loom, mast and pitot tube assembly)	1	ALL
	Attaching Parts									
- 17	105982-3A-13							Bolt - Mast Attaching	1	ALL
	-012							Washer - Plain No. 10	1	ALL
	AN960-10							Nut - Self locking No. 10-32	2	ALL
	AN365-1032									
- 18	782-02							Head - Pitot airspeed (KO)	1	ALL
- 19	103990-07-0810							Loom - Pitot mast	1	ALL
- 20	404-184773							Tube Assembly - Pitot pressure	1	ALL
- 21	184734							Clamp - Pitot mast	1	ALL
- 22	404-184757-2							Mast - Pitot	1	ALL
- 23	AN837-4D							Elbow - 45 - degree	2	ALL
- 24	404-184778							Tube Assembly - Pitot mast to instrument	1	ALL
- 25	784-184740							Plate	1	ALL
	Attaching Parts									
- 26	AN526-8-R16							Screw - Brazier head No. 8-32 x 1 in.	4	ALL
	AN960-8							Washer - Plain No. 8	2	ALL
	AN970-3							Washer	2	ALL
	AN365-832							Nut - Self locking No. 8-32	4	ALL
- 27	AN833-4D							Elbow - 90 - degree	1	ALL
- 28	404-184779							Tube Assembly - Pitot mast to airspeed	1	ALL
	AN815-4D							Union	1	ALL
- 29	404-184752							Tube Assembly - Fuselage static	1	ALL

FIGURE and INDEX	GROUP FURNISHINGS							Units Per Ass'y	Usage on Code	
	MAJOR ASSEMBLY PITOT AND STATIC PRESSURE LINE INSTALLATION Cont'd									
	NUMBER	PART NUMBER	1	2	3	4	5 6 7			NOMENCLATURE
71 -	AN815-4D							Union	1	ALL
- 30	644-184721-40							Tube Assembly - Fuselage static	1	ALL
- 31	644-184721-16							Tube Assembly - Static	1	AB
- 32	AN833-4D							Elbow - 90 - degree	1	AB
	AN960-716							Washer - Plain 7/16 in.	1	AB
	AN924-4D							Nut	1	AB
- 33	644-184721-12							Tube Assembly - Static	1	AB
- 34	AN824-4D							Tee	1	AB
	AN815-4D							Union	1	C
- 35	644-184721-48							Tube Assembly - Fuselage static	1	ALL
	AN815-4D							Union	1	ALL
- 36	404-184744							Tube Assembly - Fuselage static	1	ALL
- 37	AN825-4D							Tee	1	ALL
- 38	AN770-A1							Cock - Drain	1	ALL
- 39	AN910-1D							Coupling	1	ALL
- 40	404-184748*							Tube Assembly - Fuselage static	1	ABC
	4MBA13150							Tube Assembly - Fuselage static	1	D
- 41	AN824-4D							Tee	1	ALL
- 42	404-184749							Tube Assembly - Fuselage static ( 1 LH and 1 RH)	2	ALL
- 43	AN822-4D							Elbow - ( 1 LH and 1 RH)	2	ALL
- 44	42A11521							Plate - ( 1 LH and 1 RH)	2	ALL
	42A13995							Tube - Static air intake ( 1 LH and 1 RH)	2	ALL

\* For replacement on all models Expeditor 3 A/C use 4MBA13150 tube Assembly, originally for 3T aircraft only.

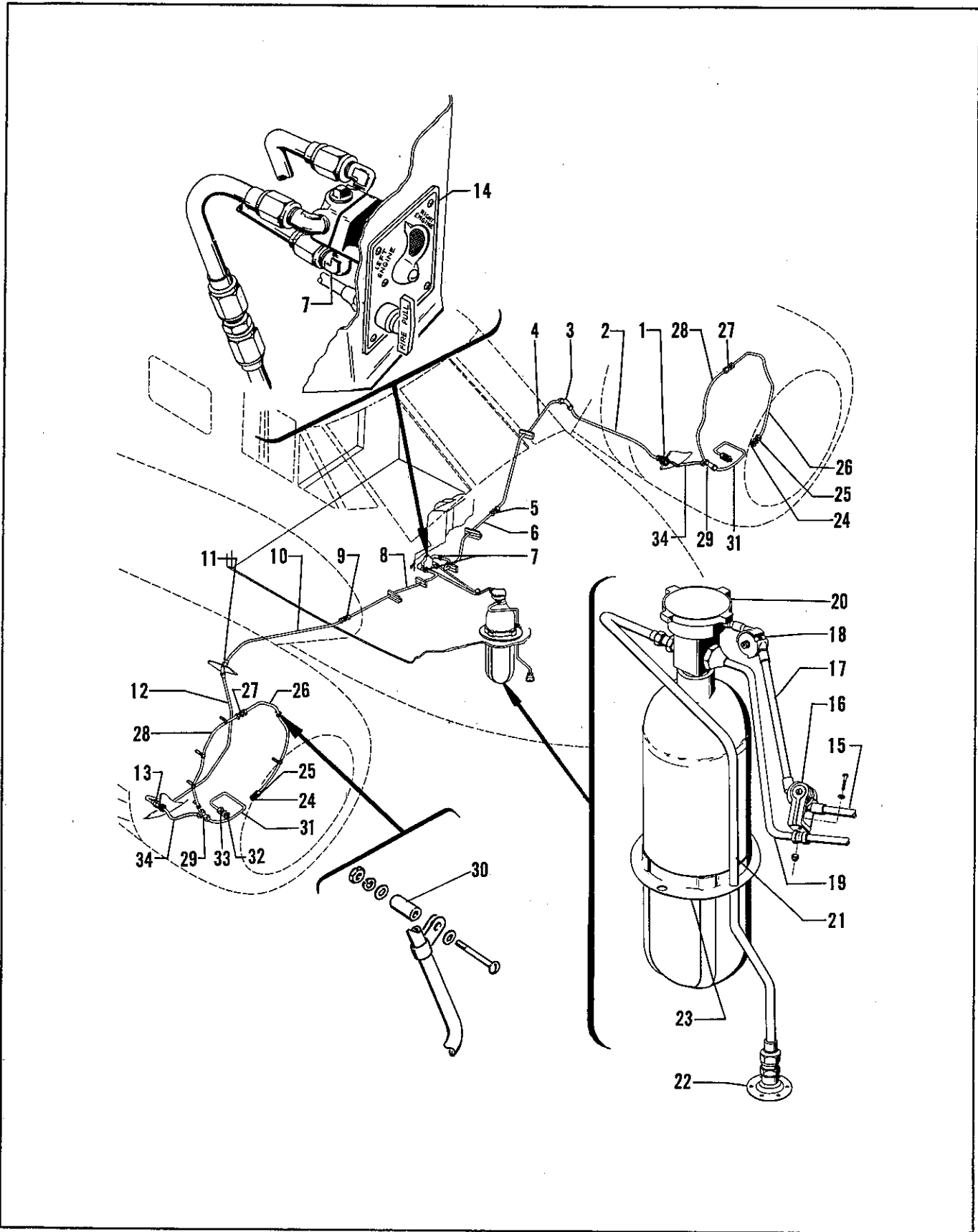


Figure 72. Fire Extinguisher System Installation



FIGURE and INDEX NUMBER	GROUP FURNISHINGS							Units Per Ass'y	Usage on Code	
	MAJOR ASSEMBLY FIRE EXTINGUISHER SYSTEM INSTALLATION									
	PART NUMBER	1	2	3	4	5	6 7			NOMENCLATURE
72 -	644-183180							Extinguisher Installation - Fuselage and wing fire (See Figure 1)	Ref	ALL
- 1	AN832-8D							Union	1	ALL
	AN960-A1216L							Washer - Plain 3/4 in.	1	ALL
	AN924-8D							Nut	1	ALL
- 2	407-183157							Tube Assembly - Nacelle fire extinguisher LH	1	ALL
- 3	AN837-8D							Elbow - 45-degree	1	ALL
	AN960-A1216							Washer - Plain 3/4 in.	2	ALL
	AN924-8D							Nut	1	ALL
- 4	407-183155							Tube Assembly - Root rib fire extinguisher LH	1	ALL
- 5	AN832-8D							Union	1	ALL
	AN960-A1216							Washer - Plain 3/4 in.	2	ALL
	AN924-8D							Nut	1	ALL
- 6	404-183129							Tube Assembly - Fuselage discharge LH	1	ALL
- 7	AN822-8D							Elbow - 90-degree	3	ALL
- 8	404-183143							Tube Assembly - Fuselage discharge RH	1	ALL
- 9	AN832-8D							Union	1	ALL
	AN960-A1216							Washer - Plain 3/4 in.	2	ALL
	AN924-8D							Nut	1	ALL
- 10	407-183159							Tube Assembly - Root rib fire extinguisher RH	1	ALL
- 11	AN837-8D							Elbow - 45-degree	1	ALL
	AN960-A1216							Washer - Plain 3/4 in.	2	ALL
	AN924-8D							Nut	1	ALL
- 12	407-183162							Tube Assembly - Nacelle fire extinguisher RH	1	ALL
- 13	AN832-8D							Union	1	ALL
	AN960-A1216L							Washer - Plain 3/4 in.	1	ALL
	AN924-8D							Nut	1	ALL
- 14	919475							Panel - Control (WK)	1	ALL
								Attaching Parts		
	AN526-8-8							Screw - Truss head No. 8-32 x 1/2 in.	4	ALL
	AN960-8							Washer - Plain No. 8	4	ALL
	AN365-832							Nut - Self locking No. 8-32	4	ALL
	919164							Handle - Selector	1	ALL
	908810							Handle - Pull and cable assembly	1	ALL
- 15	404-183141							Tube Assembly - Cable discharge lower	1	ALL
	AN816-4D							Nipple	1	ALL
- 16	933585							Pulley - (WK)	1	ALL
- 17	404-183140							Tube Assembly - Cable discharge upper	1	ALL
- 18	933586							Pulley - (WK)	1	ALL
- 19	404-183142							Tube Assembly - Discharge bottle to valve	1	ALL
- 20	840409							Cylinder and Valve Assembly - (WK)	1	ALL
- 21	404-183139							Tube Assembly - Overboard discharge	1	ALL
	AN816-4D							Nipple	1	ALL
- 22	922315							Indicator - (WK)	1	ALL
- 23	407-183228							Support Assembly - Cylinder	1	ALL

FIGURE and INDEX NUMBER	GROUP FURNISHINGS							Units Per Ass'y	Usage on Code	
	MAJOR ASSEMBLY FIRE EXTINGUISHER SYSTEM INSTALLATION Cont'd.									
	PART NUMBER	1	2	3	4	5	6 7			NOMENCLATURE
72 - 23	Attaching Parts									
	AN3-16							Bolt - Aircraft No. 10-32 x 1-3/4 in.	1	ALL
	AN960-10							Washer - Plain No. 10	4	ALL
	AN310-3							Nut - Castellated No. 10-32	1	ALL
	AN380-2-2							Pin - Cotter 1/16 x 1/2 in.	1	ALL
	AN515-8-16							Screw - Round head No. 8-32 x 1 in.	4	ALL
	644-189350							Extinguisher Installation - Engine section fire (see Figure 1)	Ref	ALL
- 24	AN929-8D							Cap	1	ALL
- 25	AN815-8D							Union	1	ALL
- 26	404-189396							Tube Assembly - Extinguisher discharge fire LH	1	ALL
- 27	AN815-8D							Union	1	ALL
- 28	404-189399							Tube Assembly - Extinguisher discharge fire RH	1	ALL
- 29	AN824-8D							Tee	1	ALL
- 30	100696-D16-06 -024							Spacer - Line spacers on firewall (3/4" long)	4	ALL
	100696-D16-06 -012							Spacer - Line spacers on firewall (3/8" long)	2	ALL
	Attaching Parts									
	AN742-8							Clamp	6	ALL
	AN515-8-20							Screw - Round head No. 8-32 x 1-1/4 in.	4	ALL
	AN515-8-12							Screw - Round head No. 8-32 x 3/4 in.	2	ALL
	AN340-8							Nut - Plain No. 8-32	6	ALL
	AN935-8							Washer - Lock No. 8	6	ALL
	AN960-8							Washer - Plain No. 8	12	ALL
- 31	404-189398							Tube Assembly - Extinguisher discharge carburettor	1	ALL
- 32	AN929-8D							Cap	1	ALL
- 33	AN815-81D							Union	1	ALL
- 34	AN6264-8D-21 -1/4*							Hose Assembly	1	ALL
	63500*							Hose Assembly - Firewall	1	ALL
	*These parts are interchangeable.									



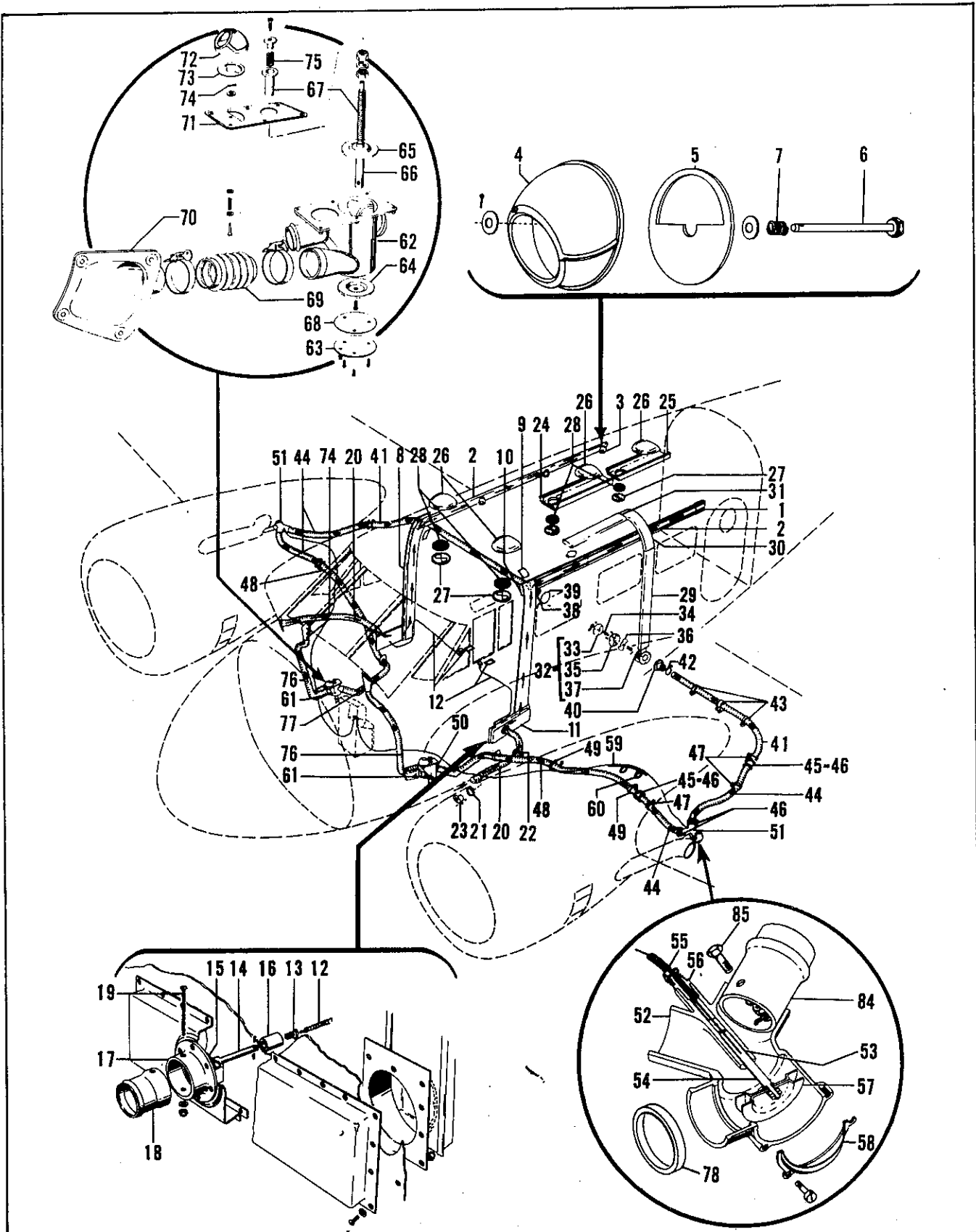


Figure 73 (Issue 1) Heat and Ventilation System Installation (Sheet 1 of 2 Sheets)

FIGURE and INDEX NUMBER	GROUP FURNISHINGS							Units Per Ass'y	Usage on Code	
	MAJOR ASSEMBLY		HEATING AND VENTILATING SYSTEMS INSTALLATION							
	PART NUMBER	1	2	3	4	5	6			7
73 -	644-183950	Heating and Ventilating System Installation (see Figure 1)							Ref	AB
	644-183949	Heating and Ventilating System Installation (see Figure 1)							Ref	C
- 1	404-183981	End Assembly (1 LH and 1 RH)							2	ABC
	Attaching Parts									
	AN526-8R8	Screw - Brazier head No. 8-32 x 1/2 in.							3	ALL
- 2	404-183980	Duct Assembly - Cabin cold air LH							1	ABC
	404-183980-1	Duct Assembly - Cabin cold air RH							1	ABC
	Attaching Parts									
	AN515-8-8	Screw							4	ABC
- 3	183977	Outlet Installation - Cold air duct							3	ABC
- 4	183921	Cap Assembly - Cold air plastic							1	ABC
- 5	183976	Gasket - Cold air outlet							1	ABC
	Attaching Parts									
- 6	183973	Pin - Cold air outlet							1	ALL
	AN960-10	Washer - Plain No. 10							2	ALL
	AN380-2-2	Pin - Cotter 1/16 x 1/2 in.							1	ALL
- 7	100943-029- 006-024-8	Spring							1	ABC
- 8	183955L	Duct Assembly - Cold air vertical LH							1	ABC
	183955R	Duct Assembly - Cold air vertical RH							1	ABC
- 9	183982	Cover Assembly - Cabin cold air duct (1LH and 1 RH)							2	ABC
	Attaching Parts									
	AN505-6R6	Screw - Flat head No. 6-32 x 3/8 in.							4	ALL
- 10	183966	Cap Assembly - Cabin cold air duct (1LH and 1 RH)							2	ABC
	Attaching Parts									
	AN515-6-8	Screw - Round head No. 8-32 x 1/2 in.							2	ALL
	183953	Plate (1 LH and 1 RH)							2	ABC
	AN515-6-8	Screw							5	ABC
	AN960-6	Washer							5	ABC
- 11	183979	Box Assembly - Cold air valve (1LH and 1RH)							2	ABC
	Attaching Parts									
	AN515-6-8	Screw							8	ABC
	AN960-6	Washer							8	ABC
	AN365-632	Nut							8	ABC
- 12	404-183958-4	Control - Cold air valve (1 LH and 1 RH)							2	ABC
	111-64001	Placard - Cabin cold air control							2	ALL
- 13	111730	Bushing (1 LH and 1 RH)							2	ABC
- 14	404-183962	Plunger (1 LH and 1 RH)							2	ABC

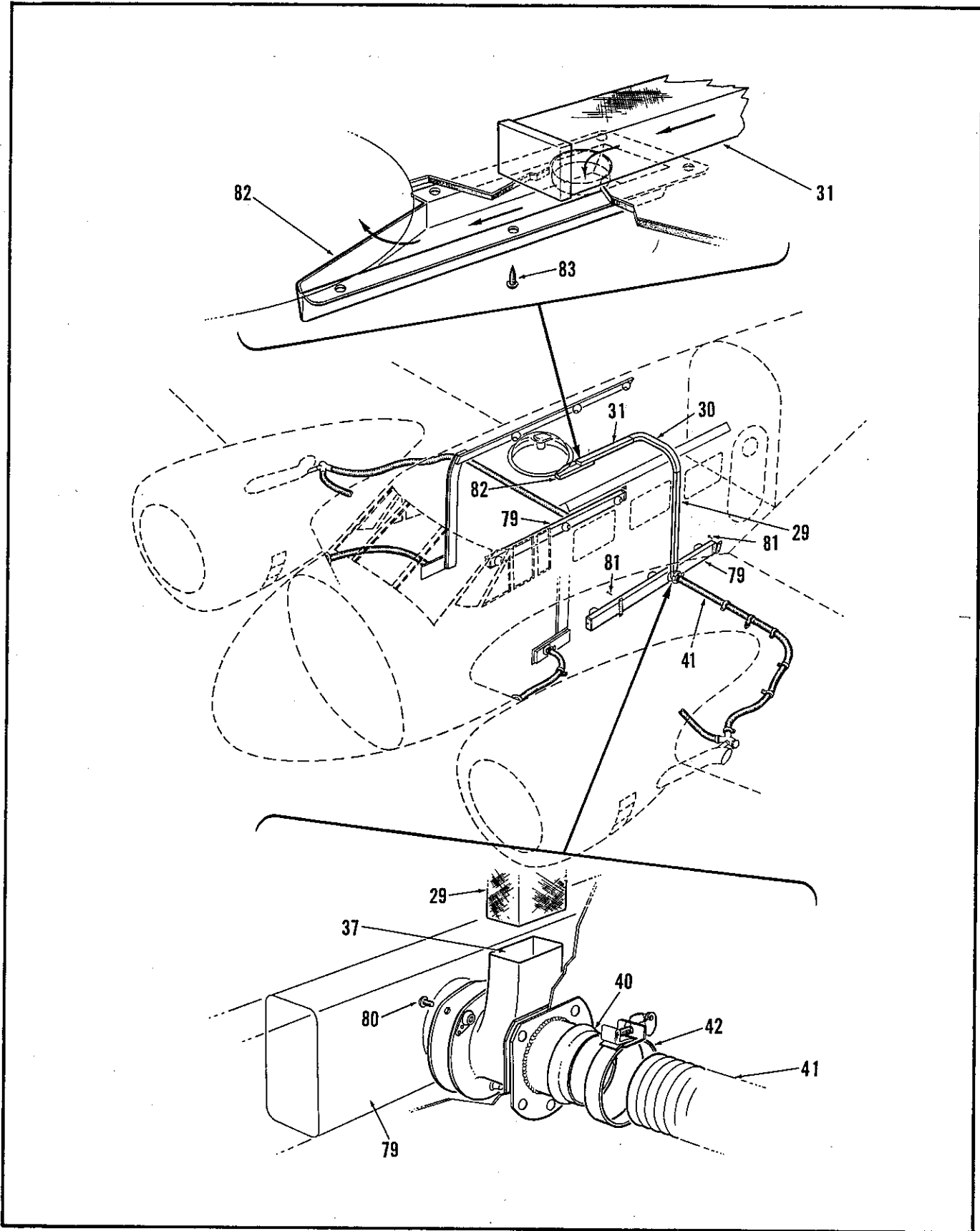


Figure 73. Heat and Ventilation System Installation (Sheet 2 of 2 Sheets)

FIGURE and INDEX NUMBER	GROUP FURNISHINGS							Units Per Ass'y	Usage on Code	
	HEATING AND VENTILATING MAJOR ASSEMBLY SYSTEMS INSTALLATION Cont'd									
	PART NUMBER	1	2	3	4	5	6 7			NOMENCLATURE
73 -										
		Attaching Parts								
	No Number							Screw - Point set No. 8-32 x 1/8 in.	2	ALL
- 15	404-183963							Diaphragm ( 1LH and 1 RH)	2	ABC
		Attaching Parts								
	AN315-3R							Nut - Plain No. 10-32	1	ALL
	AN960-10							Washer - Plain No. 10	1	ALL
- 16	404-183 964							Extension ( 1 LH and 1 RH)	2	ABC
- 17	404-183978							Support Assembly - Cabin cold air control ( 1 LH and 1 RH)	2	ABC
		Attaching Parts								
	AN515-8-10							Screw - Round head No. 8-32 x 5/8 in.	6	ALL
	189257							Bushing	1	ABC
	404-183978-2							Support - Cabin cold air control	1	ABC
- 18	437-183552							Adapter Assembly - Cold air valve ( 1 LH and 1 RH)	2	ABC
		Attaching Parts								
- 19	AN515-8-48							Screw - Round head No. 10-32 x 3 in.	1	ALL
	AN960-10							Washer - Plain No. 10	1	ALL
	AN365-832							Nut - Self locking No. 8-32	1	ALL
- 20	109645-034-5-A							Duct + Cold Air ( 1 LH and 1 RH)	2	ABC
		Attaching Parts								
- 21	105798-12							Clamp	2	ABC
- 22	AN742-D36							Clip	1	ALL
	AN742-D20							Clip	1	ALL
	AN520-10-10							Screw	1	ALL
	AN960-10							Washer	1	ALL
	AN365-1032							Nut	1	ALL
- 23	814-183957							Flange Assembly - Cold air inlet LH	1	ABC
	814-183957-1							Flange Assembly - Cold air inlet RH	1	ABC
		Attaching Parts								
	AN526-6-6							Screw - Brazier head No. 6-32 x 3/8 in.	6	ALL
	AN960-6							Washer - Plain No. 6	6	ALL
	AN365-632							Nut - Self locking No. 6-32	6	ALL
- 24	404-183959							Duct Assembly - Cabin exhaust	1	ABC
- 25	74-183942							Duct Assembly - Cabin exhaust	1	ABC
- 26	74-183943							Vent - Cabin exhaust	4	ABC
- 27	18393							Ventilator Assembly	4	ABC
- 28	183946							Screen	4	ABC
		Attaching Parts								
	AN526-8-8							Screw - Brazier head No. 8-32 x 1/2 in.	4	ALL
	644-183970							Defroster Installation - Astrodome	1	AB

FIGURE and INDEX NUMBER	GROUP FURNISHINGS							Units Per Ass'y	Usage on Code	
	HEATING AND VENTILATING SYSTEMS INSTALLATION Cont'd.									
	PART NUMBER	1	2	3	4	5	6 7			NOMENCLATURE
73 - 29	644-183954							Duct - Astrodome defroster lower	1	AB
- 30	644-183955							Duct - Astrodome defroster center	1	AB
- 31	644-183956							Duct - Astrodome defroster upper	1	AB
	644-183962							Support	3	AB
- 32	644-183960							Valve Assembly - Astrodome heat	1	AB
	644-183960-2							Handle - Astrodome defroster valve	1	AB
	52-028-125									
	-0625							Pin - Roll (EN)	1	AB
- 33	644-183952							Plate Assembly - Cabin heat diffuser LH	1	AB
	Attaching Parts									
	AN526-832-18							Screw	3	ALL
- 34	644-183958							Shaft - Astrodome heat valve	1	AB
	Attaching Parts									
	AN310-4							Nut - Castellated 1/4-28	1	ALL
	AN380-2-3							Pin - Cotter 1/16 x 1/2 in.	1	ALL
- 35	644-183953							Diffuser Assembly - Cabin heat LH	1	AB
- 36	644-183957							Valve - Astrodome	1	AB
- 37	644-183959							Housing Assembly - Astrodome heat valve	1	AB
- 38	183996P							Diffuser - Cabin heat RH	1	AB
- 39	644-183951							Diffuser - Cabin heat RH	1	AB
	Attaching Parts									
	AN526-8-20							Screw - Brazier head No. 8-32 x 1-1/4 in.	3	ALL
	102933-D3									
	-0312-0500							Spacer	3	ALL
- 40	814-183956							Flange Assembly - Cabin heat inlet LH	1	ALL
	814-183956-1							Flange Assembly - Cabin heat inlet RH	1	ABC
- 41	109644-080-5A							Hose (1 LH and 1 RH)(Ref. to EO 05-45B-6A/142)	2	ALL
	Attaching Parts									
- 42	105798-12							Clamp	1	ALL
- 43	AN742-D36							Clamp	3	ALL
	AN515-8-8							Screw	3	ALL
	AN960-8							Washer	3	ALL
	AN365-832							Nut	3	ALL
- 44	000-64003-1							Hose (2 LH and 2 RH)(Ref. to EO 05-45B-6A/142)	4	ALL
- 45	000-64004-1							Adapter Assembly	2	ALL
	Attaching Parts									
- 46	AGS605-2-X							Clamp	6	ALL
- 47	AN742-D34							Clamp	3	ALL
	AN515-8-8							Screw	3	ALL
	AN960-8							Washer	3	ALL
	AN365-832							Nut	3	ALL
- 48	109644-022-5A							Hose (1 LH and 1 RH)(Ref. to EO 05-45B-6A/142)	2	ALL



FIGURE and INDEX NUMBER	GROUP FURNISHINGS							Units Per Ass'y	Usage on Code		
	MAJOR ASSEMBLY			HEATING AND VENTILATING SYSTEMS INSTALLATION Cont'd.							
	PART NUMBER	1	2	3	4	5	6			7	NOMENCLATURE
73 -									Attaching Parts		
- 49	AN742-D36								Clamp	2	ALL
	AN520-10-8								Screw	2	ALL
	AN960-10								Washer	2	ALL
	AN365-1032								Nut	2	ALL
- 50	105798-12								Clamp (Valve assembly)	1	ALL
- 51	189250								Valve Assembly - Cabin air	2	ABC
- 52	189251								Valve - Cabin air	1	ABC
- 53	189257								Bushing	1	ABC
- 54	189253								Rod Push - Cabin heater valve (1 LH and 1 RH)	2	ABC
- 55	404-183958-2								Control - Cabin heater valve (1 LH and 1 RH) (see item 16 Figure 74 for alternate)	2	ABC
- 56	2MBA-4399-20								Bushing	2	ABC
	1MBA-4400								Nut Locking	2	ABC
- 57	189255								Diaphragm (1 LH and 1 RH)		
									Attaching Parts	2	ABC
	AN315-3R								Nut - Plain No. 10-32	2	ABC
	AN960-10								Washer - Plain No. 10		
- 58	189258								Cap - Cabin heater valve	1	ABC
									Attaching Parts		
	AN502-10-8								Screw - Fillister head No. 10-32 x 1/2 in.	3	ABC
- 59	106043-S8-04								Tubing (1 LH and 1 RH)	2	ABC
	-200										
- 60	183998								Clamp - Heater valve control (1 LH and 1 RH)	4	ABC
									Attaching Parts		
	AN515-8-8								Screw - Round head No. 8-32 x 1/2 in.	1	ALL
	AN960-8								Washer - Plain No. 8	1	ALL
	AN365-832								Nut - Self locking No. 8-32	1	ALL
- 61	404-183948								Valve Assembly - Cockpit air LH	1	ABC
	404-183948-1								Valve Assembly - Cockpit air RH	1	ABC
- 62	404-183948-18								Valve - Cockpit air LH	1	ABC
	404-183948-19								Valve - Cockpit air RH	1	ABC
- 63	404-183948-24								Cover Assembly - Cockpit air valve bottom	1	ABC
									Attaching Parts		
	AN530-8-6								Screw - Round head No. 8 x 3/8 in.	3	ALL
- 64	189255								Diaphragm - lower	1	ABC
- 65	404-183948-34								Diaphragm - upper	1	ABC
	105740-S437-										
	0502-1250								Bushing	1	ABC
- 66	102933-S7-0426										
	-3125								Spacer	1	ABC
- 67	404-183961								Control - Cockpit air valve	1	ABC
- 68	404-183948-32								Seal	1	ABC

Revised 8 Jan 65

FIGURE and INDEX NUMBER	GROUP FURNISHINGS		Units Per Ass'y	Usage on Code
	MAJOR ASSEMBLY HEATING AND VENTILATING SYSTEMS INSTALLATION Cont'd.			
	PART NUMBER	1 2 3 4 5 6 7 NOMENCLATURE		
73 - 69	111716-XX-4-3	Hose (1 LH and 1 RH)	2	ABC
		Attaching Parts		
	105798-12	Clamp - Hose	2	ABC
	AN742D28	Clamp	1	ALL
	AN530-8-10	Screw	1	ALL
- 70	404-183947	Scoop - Cockpit cold air LH	1	ABC
	404-183947-1	Scoop - Cockpit cold air RH	1	ABC
	404-183985	Outlet Assembly - Cockpit hot air	1	ABC
- 71	404-180179	Placard	1	ABC
- 72	183921	Cap Assembly	1	ABC
- 73	183976	Gasket	1	ABC
- 74	AN393-29	Pin - Flat head 1/8 x 29/32 in.	1	ABC
	AN960-10	Washer - Plain No. 10	2	ABC
	AN960-10L	Washer - Plain No. 10	3	ABC
- 75	100943-029-006 -024-8	Spring	1	ABC
	AN380-2-2	Pin - Cotter 1/16 x 1/2 in.	1	ABC
- 76	109644-043-4-A	Hose - Windshield defroster (1 LH and 1 RH)	2	ALL
		Attaching Parts		
	105798-12	Clamp	2	ALL
- 77	894-183981	Outlet Assembly - Windshield defroster LH	1	ALL
	894-183981-1	Outlet Assembly - Windshield defroster RH	1	ALL
	189256	Plate (1 LH and 1 RH)	1	ABC
	814-183960	Boot Assembly (1 LH and 1 RH)	1	ALL
	407-183959	Ring (1 LH and 1 RH)	1	ALL
		Attaching Parts		
	AN515-8-16	Screw	4	ALL
	AN960-8	Washer	4	ALL
	AN365-832	Nut	4	ALL
- 78	189218	Deflector - Intensifier Tube Gas (1 LH and 1 RH)	2	ABC
- 79	404-183990	Cabin - Hot air duct assembly - lower LH	1	C
	404-183990-1	Cabin - Hot air duct assembly - lower RH	1	C
		Attaching Parts		
- 80	AN-526-832-10	Screw - Attaching - Centre	3	C
- 81	AN515-8-8	Screw - Attaching - Front and rear	4	C
- 82	No Number	Vent - Astrodome defrosting	1	C
		Attaching Parts		
- 83	AN530-8R8	Screw - Selftapping	5	C
- 84	111-64069-1	Adapter (2 LH and 2 RH)(Ref. B.A.I.L. drawing 111-64068)	4	C
		Attaching Parts		
- 85	AN3-5A	Bolt	2	ALL
	AN960-10	Washer	2	ALL

FIGURE and INDEX NUMBER	GROUP FURNISHINGS							Units Per Ass'y	Usage on Code					
	MAJOR ASSEMBLY		HEATING AND VENTILATING SYSTEMS INSTALLATION Cont'd.											
	PART NUMBER	1	2	3	4	5	6			7	NOMENCLATURE			
73 - 85	AN310-3												2	ALL
	AN380-2-2			Nut									2	ALL
				Pin										

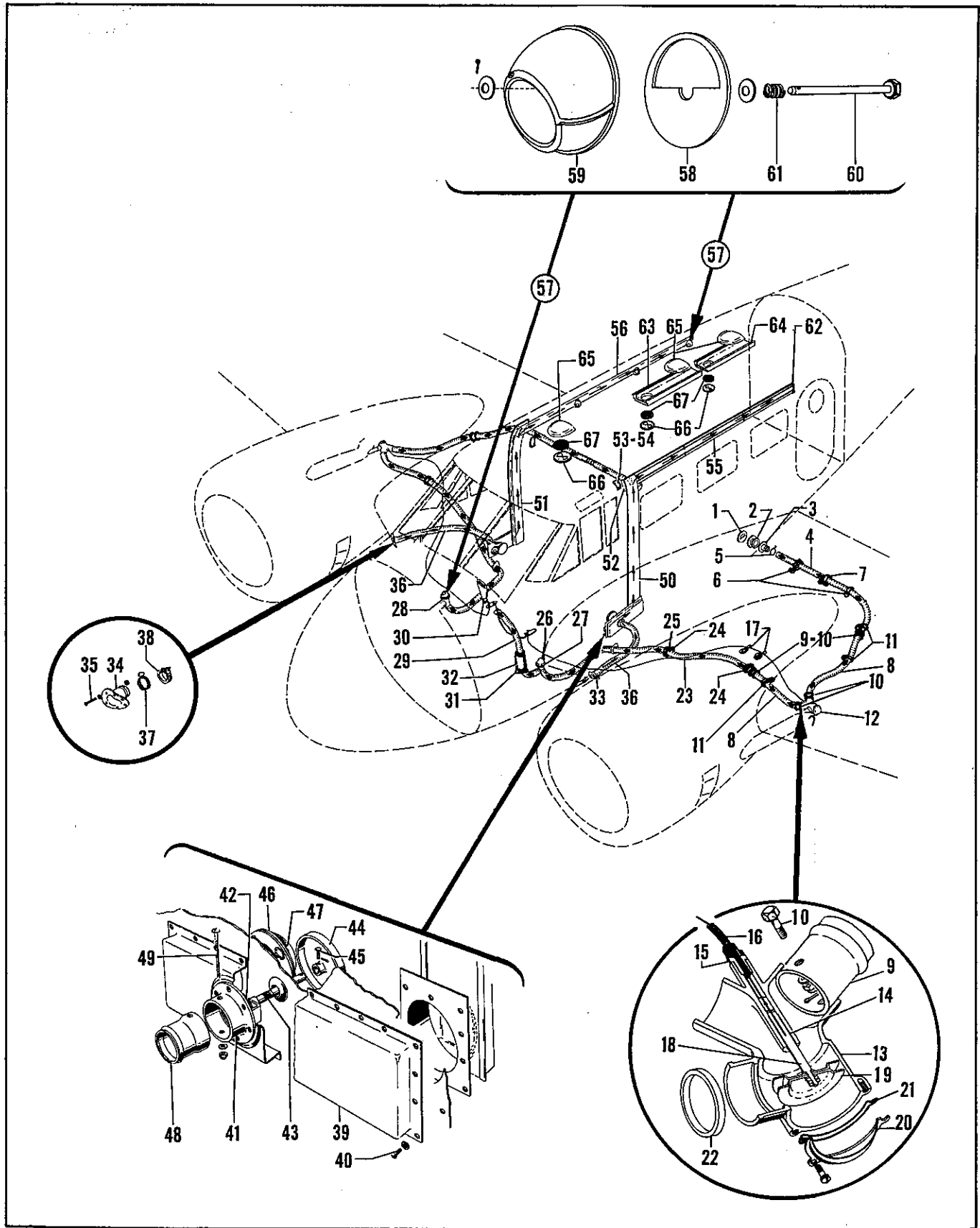


Figure 74. Heat and Ventilation System Installation

FIGURE and INDEX  NUMBER	GROUP FURNISHINGS							Units Per Ass'y	Usage on Code	
	MAJOR ASSEMBLY HEATING AND VENTILATING SYSTEM INSTALLATION									
	PART NUMBER	1	2	3	4	5	6 7			NOMENCLATURE
74 -	3MBA13573	System Installation - Heat and ventilation (814-183950 modified (see Figure 1))							Ref	D
- 1	84-183996	Diffuser - Cabin heat LH							1	D
	183996P	Diffuser - Cabin heat RH							1	D
- 2	183992P	Spacer - Cabin heat (1 LH and 1 RH)							2	D
- 3	814-183956	Flange Assembly - Cabin air LH							1	D
	814-183956-1	Flange Assembly - Cabin air RH							1	D
- 4	109644-080-5A	Hose (1 LH and 1 RH)(Ref. to EO 05-45B-6A/142)							2	ALL
	Attaching Parts:									
- 5	105798-12	Clamp							1	ALL
- 6	AN742-D36	Clamp							2	ALL
- 7	796-36	Clip (AP) LH							1	D
	796-36R	Clip (AP) RH							1	D
	AN515-8-8	Screw							3	D
	AN960-8	Washer							3	D
	AN365-832	Nut							3	D
- 8	000-64003-1	Hose (2 LH and 2 RH)(Ref. to EO 05-45B-6A/142)							4	ALL
- 9	000-64004-1	Adapter Assembly							2	ALL
	Attaching Parts:									
- 10	AGS605-2-X	Clamp							6	ALL
- 11	AN742-D34	Clamp							3	ALL
	AN515-8-8	Screw							3	ALL
	AN960-8	Washer							3	ALL
	AN365-832	Nut							3	ALL
- 12	189250	Valve Assembly - Cabin heating (1 LH and 1 RH)							2	D
- 13	189251	Valve - Cabin heating							1	D
- 14	189257	Bushing - Cabin heating valve							1	D
- 15	1MBA4400	Nut - Locking							1	D
	2MBA4399-20	Sleeve Nut - Cabin heating control							1	D
	OR									
	111730	Bushing (1 LH and 1 RH)							2	ALL
- 16	3A673	Control Cabin Heating - Valve (1 LH and 1 RH) (see item 55 Figure 73 for alternate)							2	D
	Attaching Parts:									
- 17	183998	Clamp - Heater valve control							2	D
	AN515-8-8	Screw - Round head No. 8-32 x 1/2 in.							2	D
	AN960-8	Washer - Plain No. 8							2	D
	AN365-832	Nut - Self locking No. 8-32							2	D
- 18	189253	Rod Push - Cabin heater valve (1 LH and 1 RH)							2	D
- 19	189255	Diaphragm - Heating valve (1 LH and 1 RH)							2	D
	Attaching Parts:									
	AN315-3R	Nut - Plain No. 10-32							2	D
	AN960-10	Washer - Plain No. 10							2	D
- 20	189256	Cover Plate - Cabin heating valve (1 LH and 1 RH)							2	D
- 21	189258	Cap - Cabin heat valve (1 LH and 1 RH)							2	D

FIGURE and INDEX NUMBER	GROUP FURNISHINGS							Units Per Ass'y	Usage on Code		
	MAJOR ASSEMBLY HEATING AND VENTILATING SYSTEM INSTALLATION Cont'd.										
	PART NUMBER	1	2	3	4	5	6			7	NOMENCLATURE
74 - 21									Attaching Parts		
	AN520-10-S								Screw - Fillister head No. 10-32 x 1/2 in.	3	D
- 22	189218								Deflector - Intensifier tube gas (1 LH and 1 RH)	1	D
- 23	109644-082-5A								Hose - Cockpit heat (1 LH and 1 RH)	2	ALL
									Attaching Parts		
	105798-12								Clamp - (Outlet assembly)	1	D
- 24	AN742-D36								Clamp	2	ALL
- 25	100696-D12-06 -018								Spacer - Cockpit heat tube	1	D
	AN515-8-20								Screw	1	D
	AN960-8								Washer	1	D
	AN365-832								Nut	1	D
	AN520-10-8								Screw	2	ALL
	AN960-10								Washer	2	ALL
	AN365-1032								Nut	2	ALL
- 26	183985								Outlet Assembly	2	D
	183986								Outlet Plate	1	D
									Attaching Parts		
	AN526-832-16								Screw - Truss head No. 8-32 x 2 in.	2	ALL
	AN960-8								Washer - Plain No. 8	2	ALL
	183921								Cap Assembly	1	D
	183976								Gasket	1	D
									Attaching Parts		
	AN393-29								Pin - Flat head 3/16 x 1-5/64 in.	1	ALL
	AN960-10L								Washer - Plain No. 10	3	ALL
	111504-029-013 -0021-8								Spring	1	ALL
	AN380-2-2								Pin - Cotter 1/16 x 1/2 in.	1	ALL
- 27	2MBA6623								Flange Assembly - Cockpit heater valve LH (644 -183954 modified)	1	D
- 28	2MBA6623-1								Flange Assembly - Cockpit heater valve RH (644 -183953 modified)	1	D
- 29	109644-043-4-A								Hose Assembly - Defroster (1 LH and 1 RH)	2	ALL
									Attaching Parts		
	105798-12								Clamp	2	ALL
- 30	894-183981								Defroster Assembly - LH	1	ALL
	894-183981-1								Defroster Assembly - RH	1	ALL
	183945								Screen - Defroster	1	ALL
- 31	407-183959								Ring - Defroster Hose - ( 1 LH and 1 RH)	2	ALL
- 32	814-183960								Boot Assembly - (1 LH and 1 RH)	2	ALL
									Attaching Parts		
	AN515-8-16								Screw	4	ALL
	AN960-8								Washer	4	ALL
	AN365-832								Nut	4	ALL

FIGURE and INDEX NUMBER	GROUP FURNISHINGS							Units Per Ass'y	Usage on Code	
	MAJOR ASSEMBLY HEATING AND VENTILATING SYSTEM INSTALLATION Cont'd.									
	PART NUMBER	1	2	3	4	5	6 7			NOMENCLATURE
74 - 33	814-183957							Flange Assembly - Cold air LH	1	D
- 34	814-183957-1							Flange Assembly - Cold air RH	1	D
								Attaching Parts		
- 35	AN526-632-6							Screw - Truss head No. 6-32 x 3/8 in.	6	ALL
	AN960-6							Washer - Plain No. 6	6	ALL
	AN365-632							Nut - Self locking No. 6-32	6	ALL
- 36	109645-034-4-A							Hose - Fresh air (1 LH and 1 RH)	2	D
								Attaching Parts		
- 37	105798-12							Clamp	2	D
- 38	AN742-D36							Clip	2	D
	AN742-D20							Clip	1	D
	814-183966							Spacer - Heating and ventilating hose	1	D
	AN520-10-10							Screw - Round head No. 10-32 x 5/8 in.	2	ALL
	AN960-10							Washer - Plain No. 10	2	ALL
	AN365-1032							Nut - Self locking No. 10-32	2	ALL
	183960							Valve and Ducts Installation - Cold air LH	1	D
	183960-1							Valve and Ducts Installation - Cold air RH	1	D
- 39	183979							Box Assembly - Cold air valve	1	D
	183967							Valve Assembly - Cold air intake	1	D
								Attaching Parts		
- 40	AN515-8-10							Screw - Round head No. 8-32 x 5/8 in.	8	ALL
- 41	305911							Body - Cold air intake	1	D
- 42	106333							Diaphragm - Cold air valve	1	D
- 43	183970							Shaft - Cold air valve	1	D
- 44	187729							Wheel - Cold air valve shaft	1	D
								Attaching Parts		
- 45	AN392-27							Pin - Flat head 1/8 x 27/32 in.	1	D
	AN380-2-2							Pin - Cotter 1/16 x 1/2 in.	1	ALL
- 46	183957							Spacer Assembly - Cold air outlet	1	D
- 47	183985							Outlet Assembly - Cabin cold air	2	D
	183986							Plate - Cold air outlet	1	D
								Attaching Parts		
	AN526-832-32							Screw - Truss head No. 8-32 x 2 in.	4	ALL
	AN960-8							Washer - Plain No. 8	4	ALL
	183921							Cap Assembly - Cold air	1	D
	183976							Gasket - Cold air	1	D
								Attaching Parts		
	AN393-29							Pin - Flat head 3/16 x 1-5/64 in.	1	ALL
	AN960-10L							Washer - Plain No. 10	3	ALL
	AN380-2-2							Pin - Cotter 1/16 x 1/2 in.	1	ALL
	111504-029-013 -0021-8							Spring	1	D

FIGURE and INDEX NUMBER	GROUP FURNISHINGS							Units Per Ass'y	Usage on Code		
	MAJOR ASSEMBLY		HEATING AND VENTILATING SYSTEM INSTALLATION Cont'd.								
	PART NUMBER	1	2	3	4	5	6			7	NOMENCLATURE
74 - 48	814-183958								Adapter - Cold air duct (1 LH and 1 RH)	2	D
		Attaching Parts									
- 49	AN515-8-48								Screw - Round head No. 8-32 x 3 in.	1	D
	AN960-8								Washer - Plain No. 8	1	D
	AN365-822								Nut - Self locking No. 8-32	1	D
- 50	183955L								Duct Assembly - Cold air vertical LH	1	D
- 51	183955R								Duct Assembly - Cold air vertical RH	1	D
- 52	183982								Cover - Cabin cold air duct (1 LH and 1 RH)	2	D
		Attaching Parts									
	AN505-6R6								Screw	4	ALL
- 53	183953								Plate - Cabin cold air duct (1 LH and 1 RH)	2	D
		Attaching Parts									
	AN515-6-8								Screw	5	ALL
	AN960-6								Washer	5	D
- 54	183966								Cap Assembly (1 LH and 1 RH)	2	D
		Attaching Parts									
	AN515-6-8								Screw	2	D
- 55	183980L								Duct Assembly - Cabin cold air LH	1	D
- 56	84-183982								Duct Assembly - Cabin cold air RH	1	D
- 57	183977								Duct Assembly - Cold air outlet	3	D
- 58	183976								Gasket - Cold air outlet	1	D
- 59	183921								Cap Assembly - Cold air duct outlet	1	D
		Attaching Parts									
- 60	183973								Pin - Cold air outlet	1	ALL
	AN960-10								Washer - Plain No. 10	2	ALL
	AN380-2-2								Pin - Cotter 1/16 x 1/2 in.	1	ALL
- 61	100943-029-006										
	-024-8								Spring - Cold air duct outlet	1	D
- 62	183981								End Assembly - Cold air duct (1 RH and 1 LH)	2	D
		Attaching Parts									
	AN526-832-8								Screw - Truss head No. 8-32 x 1/2 in.	3	ALL
- 63	183959								Duct Assembly - Cabin exhaust	1	D
- 64	74-183942								Duct Assembly - Cabin exhaust	1	D
- 65	74-183943								Vent - Cabin exhaust	4	D
- 66	18393								Ventilator Assembly - Cabin exhaust	4	D
- 67	183946								Screen - Ventilator Assembly cabin	4	D
		Attaching Parts									
	AN526-832-8								Screw - Brazier head No. 8-32 x 1/2 in.	4	ALL



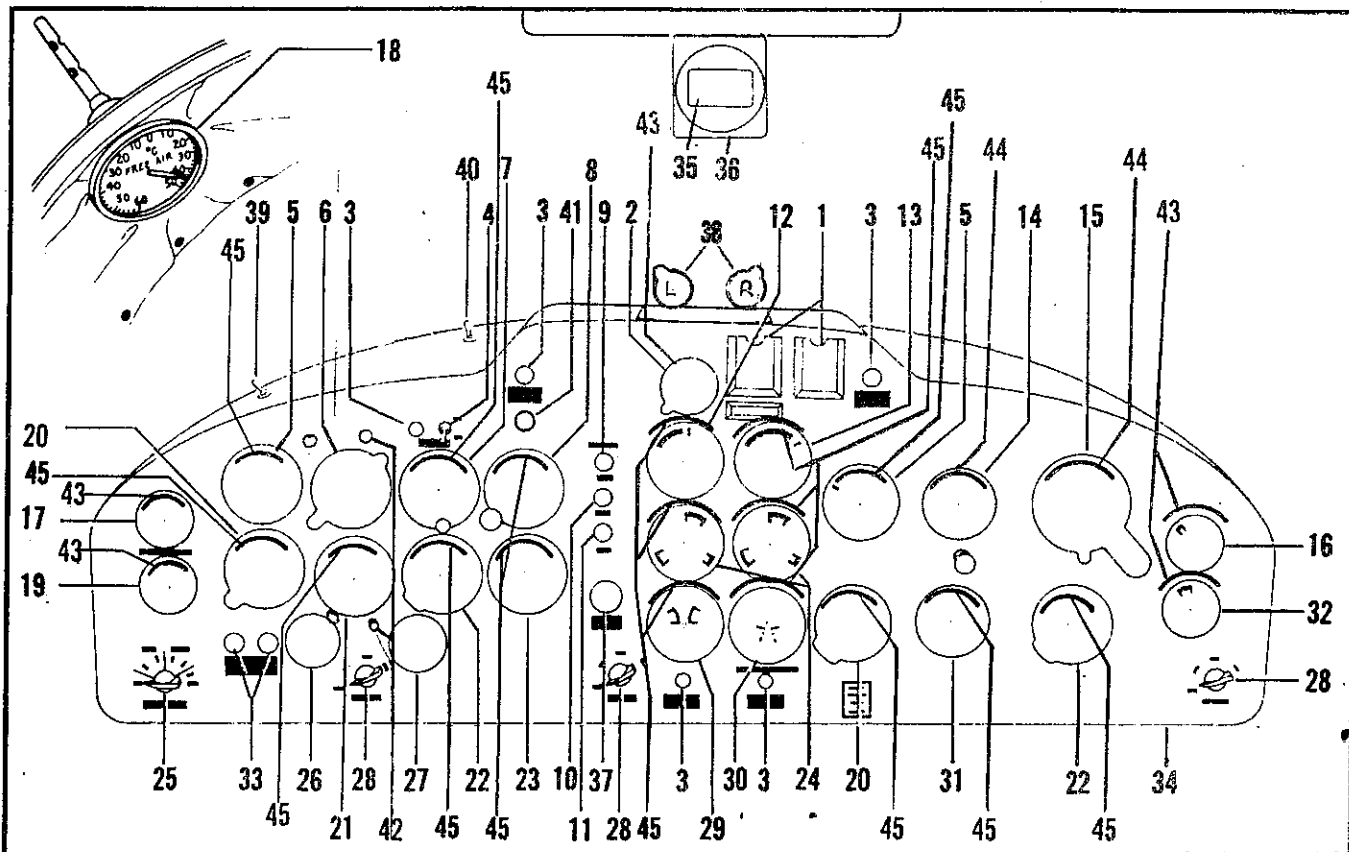


Figure 75 (Issue 2) Floating Panel Assembly

FIGURE and INDEX NUMBER	GROUP FURNISHINGS							Units Per Ass'y	Usage on Code		
	MAJOR ASSEMBLY		FLOATING PANEL ASSEMBLY								
	PART NUMBER	1	2	3	4	5	6			7	NOMENCLATURE
75 -	644-183800								Panel Assembly - Floating (see Figure 1)	Ref	ALL
- 1	644-183856								Holder Compass Card	2	ALL
- 2	AN5743-2								Clock - 8 day Type All	1	ALL
									Attaching Parts		
	NAS387-6-14								Screw - Oval head No. 6-32 x 7/8 in.	2	ALL
- 3	VM-400-2								Lamp Assembly - (MARI)	5	ALL
- 4	AN3021-2								Switch	1	ALL
- 5	1426-12D								Indicator - Airspeed (Ref. RCAF 6A/1168)	2	ALL
									Attaching Parts		
	NAS387-6-14								Screw - Oval head No. 6-32 x 7/8 in.	8	ALL
- 6	653897-4B								Indicator - Electrical master gyrosyn	1	ALL
									Attaching Parts		
	NAS387-6-14								Screw - Oval head No. 6-32 x 7/8 in.	3	ALL

FIGURE and INDEX NUMBER	GROUP FURNISHINGS							Units Per Ass'y	Usage on Code	
	MAJOR ASSEMBLY FLOATING PANEL ASSEMBLY Cont'd.									
	PART NUMBER	1	2	3	4	5	6 7			NOMENCLATURE
75 - 7	654744							Indicator - Electrical Gyro Horizon (Type H5) (Sperry)	1	ALL
								Attaching Parts		
	NAS387-6-14							Screw - Oval head No. 6-32 x 7/8 in.	4	ALL
- 8	644-180827							Meter - Cross pointer (Ref. RCAF 10EA/24314)	1	ALL
								Attaching Parts		
	NAS387-6-14							Screw - Oval head No. 6-32 x 7/8 in.	3	ALL
- 9	A120196-1							Jewel and Holder	1	ALL
- 10	A120196-3							Jewel and Holder	1	ALL
- 11	A120196-4							Jewel and Holder	1	ALL
- 12	AN5530-2A							Tachometer - Engine speed	1	ALL
								Attaching Parts		
	NAS387-6-14							Screw - Oval head No. 6-32 x 7/8 in.	4	ALL
- 13	AN5770-2							Gauge - Manifold pressure	1	ALL
								Attaching Parts		
	NAS387-6-14							Screw - Oval head No. 6-32 x 7/8 in.	4	ALL
- 14	AN5735-2							Indicator - Directional gyro Type A-5	1	ALL
								Attaching Parts		
	NAS387-10-14							Screw - Oval head No. 10-32 x 7/8 in.	4	ALL
- 15	AN5736-2							Indicator - Artificial horizon Type C7	1	ALL
								Attaching Parts		
	NAS387-10-14							Screw - Oval head No. 10-32 x 7/8 in.	3	ALL
- 16	AN5771-58							Gauge - Suction direct acting	1	ALL
								Attaching Parts		
	NAS387-6-14							Screw - Oval head No. 6-32 x 7/8 in.	4	ALL
- 17	AN5790-6							Thermometer - Free air	1	ALL
								Attaching Parts		
	NAS387-6-14							Screw - Oval head No. 6-32 x 7/8 in.	4	ALL
- 18	1592-9							Thermometer - Direct acting	1	ALL
								Attaching Parts		
	EM20205							Spacer	1	ALL
- 19	EA102							Gauge - Fuel content (LI)	1	ALL
								Attaching Parts		
	NAS387-6-14							Screw - Oval head No. 6-32 x 7/8 in.	4	ALL

FIGURE and INDEX NUMBER	GROUP FURNISHINGS							Units Per Ass'y	Usage on Code	
	MAJOR ASSEMBLY FLOATING PANEL ASSEMBLY Cont'd.									
	PART NUMBER	1	2	3	4	5	6 7			NOMENCLATURE
75 - 20	AN5760-3A(Mod)							AN5760-3 0-35000'	2	ALL
	Attaching Parts							AN5760-MPH/L 0-50000'		
	NAS387-6-14							Refer to EO 0545B-6A/L23 Screw - Oval head No. 6-32 x 7/8 in.	6	ALL
- 21	AN5819-3							Indicator - Turn and Slip, Type C-1	1	ALL
	Attaching Parts									
	NAS387-6-14							Screw - Oval head No. 6-32 x 7/8 in.	4	ALL
- 22	AN5825-P6							Indicator - Rate of climb	2	ALL
	Attaching Parts									
	NAS387-6-14							Screw - Oval head No. 6-32 x 7/8 in.	6	ALL
- 23	644-180817							Indicator - I-81-A - Radio compass	1	ALL
	Attaching Parts									
	NAS387-6-14							Screw - Oval head No. 6-32 x 7/8 in.	4	ALL
- 24	AN5773-1							Gauge - Unit engine	2	ALL
	Attaching Parts									
	NAS387-6-14							Screw - Oval head No. 6-32 x 7/8 in.	8	ALL
- 25	1311L							Switch - Rotary - Full gauge (MAL)	1	ALL
- 26	C106336							Indicator - Position Elevator Tab (SW)	1	ALL
	106464							Resistor - (SW)	1	ALL
- 27	106335							Indicator - Flap position (SW)	1	ALL
	106464							Resistor - (SW)	1	ALL
- 28	AN3155-50-75							Rheostat - Fluorescent (GMC) (EO 05-45B-6A/197)	3	ALL
- 29	AN16C-1							Thermometer - Cylinder head temperature (Ref.)	1	ALL
	Attaching Parts									
	NAS387-6-14							Screw - Oval head No. 6-32 x 7/8 in.	4	ALL
- 30	AN5795-6							Thermometer - Carburettor air temperature	1	ALL
	Attaching Parts									
	NAS387-6-14							Screw - Oval head No. 6-32 x 7/8 in.	4	ALL
- 31	AN5820-1							Indicator - Turn and Slip, Type All	1	ALL
	Attaching Parts									
	NAS387-6-14							Screw - Oval head No. 6-32 x 7/8 in.	4	ALL
- 32	AN5771-3A							Gauge - De-icer pressure	1	ALL
	Attaching Parts									
	NAS387-6-14							Screw - Oval head No. 6-32 x 7/8 in.	4	ALL

Part 2  
Group Assembly Part List

EO 05-45B-4

FIGURE and INDEX NUMBER	GROUP FURNISHINGS							Units Per Ass'y	Usage on Code	
	MAJOR ASSEMBLY FLOATING PANEL ASSEMBLY Cont'd.									
	PART NUMBER	1	2	3	4	5	6 7			NOMENCLATURE
75 - 33	AN3157-6							Light Assembly	2	ALL
- 34	644-183800-4							Panel Assembly - Floating	1	ALL
	644-183802-5							Panel Assembly - Floating	1	ALL
	644-183802-3							Panel - Floating	1	ALL
	644-183800-2							Panel - Floating	1	ALL
	734-183804-4							Hinge	1	ALL
* - 35	<del>AN5733-1</del>							Compass - Magnetic, B16	2	ALL
- 36	404-183761							Bracket Assembly - Magnetic compass	1	ALL
	1MBA13089							Guard - Compass correction card	1	ALL
- 37	C8101							Switch - Push button (Heatherington)	1	ALL
	1MBA13356							Placard - Under carriage warning horn silencer	1	ALL
	1MBA13294							Placard - Anti-icer control	1	ALL
- 38	54267							Switch - Feathering (HS) (see Figure 45)	Ref	ALL
	34822-1							Guard - Propeller feathering button (see Figure 45)	Ref	ALL
- 39	AN3021-2							Switch - Summer/winter feathering dilution (see Figure 45)	Ref	ALL
- 40	AN3160-5							Circuit Breaker Switch (see Figure 45)	Ref	ALL
-41	MS25331-4							Light Assembly (EO 05-45B-6A/190)	1	ALL
-42	A5299-24							Light Assembly (EO 05-45B-6A/197)	4	ALL
-43	B4750							Light Assembly (EO 05-45B-6A/197)	5	ALL
-44	B4785-1							Light Assembly (EO 05-45B-6A/197)	2	ALL
-45	B4855							Light Assembly (EO 05-45B-6A/197)	16	ALL
* -	LAW EO 05-45B-6A/309, new compass part # is AN5766T-4									

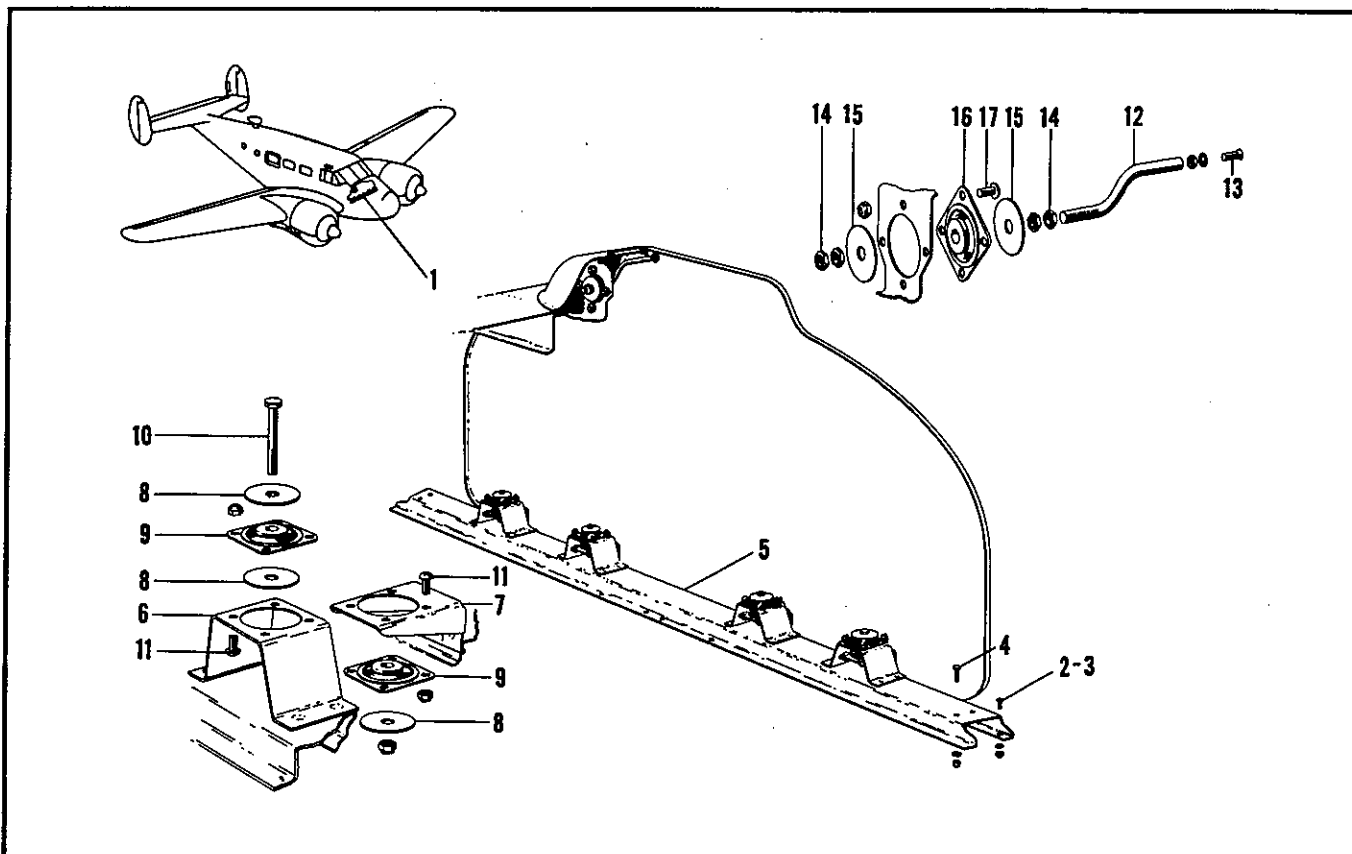


Figure 76. Instrument Panel Installation

FIGURE and INDEX NUMBER	GROUP FURNISHINGS						Units Per Ass'y	Usage on Code	
	MAJOR ASSEMBLY INSTRUMENT PANEL INSTALLATION								
	PART NUMBER	1	2	3	4	5 6 7			NOMENCLATURE
76 -	404-183801*						Panel Installation - Instrument (See Figure 1)	REF	AD
	644-183804**						Panel Installation - Instrument (See Figure 1)	REF	BC
- 1	734-183834						Structure Assembly - Instrument panel mount	1	ALL
							Attaching Parts		
- 2	AN515-8R8						Screw - Round head No. 8-32 x 1/2 in.	2	ALL
- 3	AN515-8R7						Screw - Round head No. 8-32 x 7/16 in.	18	ALL
	AN960-8L						Washer - Plain No. 8	20	ALL
	AN365-832						Nut - Self locking No. 8-32	20	ALL
- 4	AN3-4A						Bolt - Aircraft No. 10-32 x 1/2 in.	4	ALL
	AN960-10L						Washer - Plain No. 10	4	ALL
	AN365-1032						Nut - Self locking No. 10-32	4	ALL
- 5	734-183834-4						Channel Assembly - Instrument panel mount	1	ALL
- 6	734-183834-6						Support - Panel	4	ALL
- 7	734-183834-8						Bracket - Panel support	4	ALL
							*Effective RCAF Serials 1426 thru 1535 and 2278 thru 2302		
							**Effective RCAF Serial 1536 and after, except 2278 thru 2302		

FIGURE and INDEX NUMBER	GROUP FURNISHINGS							Units Per Ass'y	Usage on Code		
	MAJOR ASSEMBLY		INSTRUMENT PANEL INSTALLATION Cont'd								
	PART NUMBER	1	2	3	4	5	6			7	NOMENCLATURE
76 - 8	AN8013D-2								Washer - Vibration insulator stop	12	ALL
- 9	AN8008-D10								Insulator - Vibration	8	ALL
	734-183834-10								Hinge - Instrument panel	4	ALL
	Attaching Parts										
- 10	AN4-16A								Bolt - Aircraft 1/4-28 x 1-3/4 in.	4	ALL
	AN365-428								Nut - Self locking 1/4-28	4	ALL
- 11	AN515-8R7								Screw - Round head No. 8-32 x 7/16 in.	32	ALL
	AN960-								Washer - Plain No. 8	32	ALL
	AN365-832								Nut - Self locking No. 8-32	32	ALL
	102361-01300								Pin - Hinge	2	ALL
- 12	404-183794								Rod - Instrument panel support	2	ALL
	Attaching Parts										
- 13	NAS387-10-14								Screw - Oval head No. 10-32 x 7/8 in.	2	ALL
- 14	AN316-4R								Nut - Plain 1/4-28	8	ALL
- 15	AN8013-D2								Washer - Vibration insulator stop	4	ALL
- 16	150PDL12								Mount - Vibration insulator	2	ALL
	Attaching Parts										
- 17	AN515-8-7								Screw - Round head No. 8-32 x 7/16 in.	4	ALL
	AN365-832								Nut - Self locking No. 8-32	4	ALL
	AN960-8								Washer - Plain No. 8	4	ALL

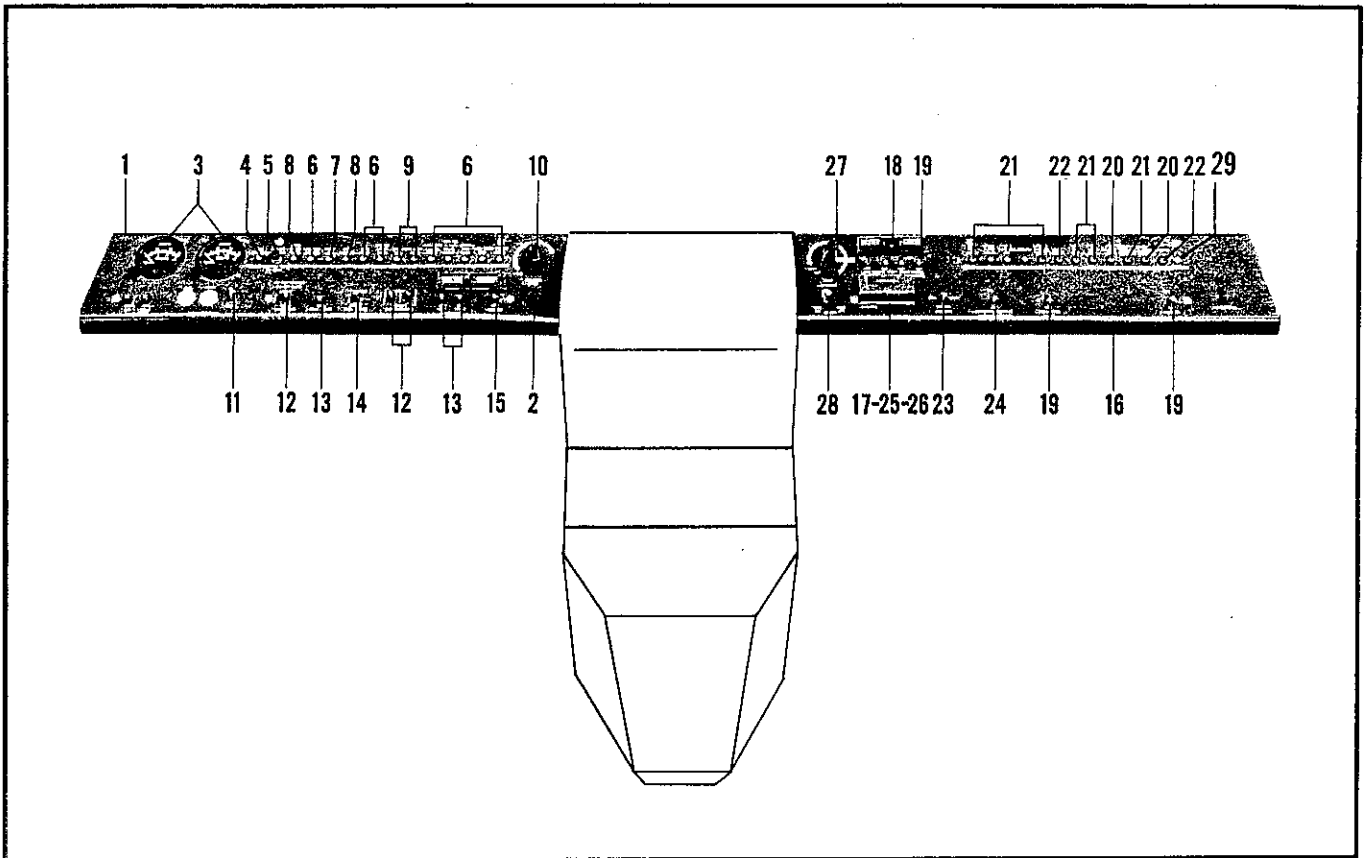


Figure 77 (Issue 1) Instrument Subpanel Assembly

FIGURE and INDEX NUMBER	GROUP FURNISHINGS							Units Per Ass'y	Usage on Code		
	MAJOR ASSEMBLY			INSTRUMENT SUBPANEL ASSEMBLY							
	PART NUMBER	1	2	3	4	5	6			7	NOMENCLATURE
77 -	644-183817								Subpanel Assembly - LH (see Figure 1)	Ref	ALL
	644-183891								Subpanel - LH	1	ALL
- 1	644-183891-2								Subpanel - LH	1	ALL
- 2	900-183878								Throw Assembly - Master switch	1	ALL
- 3	A240								Voltmeter (BuAer)	2	ALL
									Attaching Parts		
	AN526-6R14								Screw - Brazier head No. 6-32 x 7/8 in.	6	ALL
- 4	PSM-5								Breaker - Circuit 5-ampere (SPT)	1	ALL
									Attaching Parts		
	AN507-6R6								Screw - Flat head No. 6-32 x 3/8 in.	2	ALL
- 5	D-6751-1-10								Breaker - Circuit 10-ampere (SPT)	1	ALL
									Attaching Parts		
	AN507-6R6								Screw - Flat head No. 6-32 x 3/8 in.	1	ALL
- 6	PSM-10								Breaker - Circuit 10-ampere (SPT)	8	ALL
									Attaching Parts		

FIGURE and INDEX NUMBER	GROUP FURNISHINGS							Units Per Ass'y	Usage on Code	
	MAJOR ASSEMBLY INSTRUMENT SUBPANEL ASSEMBLY Cont'd.									
	PART NUMBER	1	2	3	4	5	6 7			NOMENCLATURE
77 -	AN507-6R6							Screw - Flat head No. 6-32 x 3/8 in.	15	ALL
- 7	PSM-20							Breaker - Circuit 20-ampere (SPT)	1	ALL
								Attaching Parts		
	AN507-6R6							Screw - Flat head No. 6-32 x 3/8 in.	2	ALL
- 8	PSM-15							Breaker - Circuit 15-ampere (SPT)	2	ALL
								Attaching Parts		
	AN507-6R6							Screw - Flat head No. 6-32 x 3/8 in.	4	ALL
- 9	PSM-30							Breaker - Circuit 30-ampere (SPT)	2	ALL
								Attaching Parts		
	AN507-6R6							Screw - Flat head No. 6-32 x 3/8 in.	4	ALL
- 10	AN3155-25-25							Rheostat - UHF and Tacan light	1	ALL
- 11	AN3021-8							Switch	3	ALL
- 12	AN3021-1							Switch	3	ALL
- 13	AN3021-2							Switch	3	ALL
- 14	AN3027-1							Switch	1	ALL
- 15	AN3027-2							Switch	1	ALL
	404-183886							Bar - Bus	2	ALL
	404-183787							Bar - Bus	2	ALL
	404-183887							Bar - Bus	1	ALL
	108446-11							Strip	1	ALL
	108446-2							Strip	2	ALL
	644-183894							Support Assembly - Subpanel electrical (LH)	1	ALL
	AN781-1							Nipple - Insulating	1	ALL
								Attaching Parts		
	NAS387-6-14							Screw - Oval head No. 6-32 x 7/8 in.	5	ALL
	AN960-6							Washer - Plain No. 6	5	ALL
	AN365-632							Nut - Self locking No. 6-32	5	ALL
	644-183818							Subpanel Assembly - RH (see Figure 1)	Ref	ALL
	644-183879							Subpanel - RH	1	ALL
- 16	644-183879-2							Subpanel - RH	1	ALL
- 17	407-183878							Cover Assembly - Starter switch	1	ALL
- 18	404-183707							Throw Assembly - Magneto switch	1	ALL
- 19	AN3021-2							Switch	6	ALL
- 20	PSM-5							Breaker - Circuit 5-ampere (SPT)	2	ALL
								Attaching Parts		
	AN507-6R6							Screw - Flat head No. 6-32 x 3/8 in.	4	ALL
- 21	PSM-10							Breaker - Circuit 10-ampere (SPT)	8	ALL
								Attaching Parts		
	AN507-6R6							Screw - Flat head No. 6-32 x 3/8 in.	15	ALL
- 22	PSM-20							Breaker - Circuit 20-ampere (SPT)	2	ALL
								Attaching Parts		



FIGURE and INDEX NUMBER	GROUP FURNISHINGS							Units Per Ass'y	Usage on Code	
	MAJOR ASSEMBLY INSTRUMENT SUBPANEL ASSEMBLY Cont'd									
	PART NUMBER	1	2	3	4	5	6 7			NOMENCLATURE
77 -	AN507-6R6							Screw - Flat head No. 6-32 x 3/8 in.	4	ALL
- 23	AN3027-1							Switch - Starter selector	1	ALL
- 24	AN3027-2							Switch	1	ALL
- 25	138143							Switch - (UCI)	1	ALL
- 26	138143E							Switch - (UCI)	1	ALL
- 27	AN3155-50-30							Rheostat	1	ALL
	1MBA13294							Placard - Anti-icer control	1	D
- 28	1189669							Control - De-icer push pull (see Figure 79)	Ref	ALL
	644-183893							Support Assembly	1	ALL
								Attaching Parts		
	NAS387-6-14							Screw - Oval head No. 6-32 x 7/8 in.	4	ALL
	AN960-6							Washer - Plain No. 6	4	ALL
	AN365-632							Nut - Self locking No. 6-32	4	ALL
	644-183888							Bracket - Switch	1	ALL
								Attaching Parts		
	AN515-4-4							Screw - Round head No. 4-40 x 1/4 in.	4	ALL
	AN960-4							Washer - Plain No. 4	4	ALL
	AN365-440							Nut - Self locking No. 4-40	4	ALL
	404-183886							Bar - Bus	1	ALL
	108446-4							Strip	1	ALL
	108446-13							Strip	1	ALL
29	PSM-5							Circuit-breaker 5-ampere (SPT) (EO 05-45B-6A/197)	1	ALL

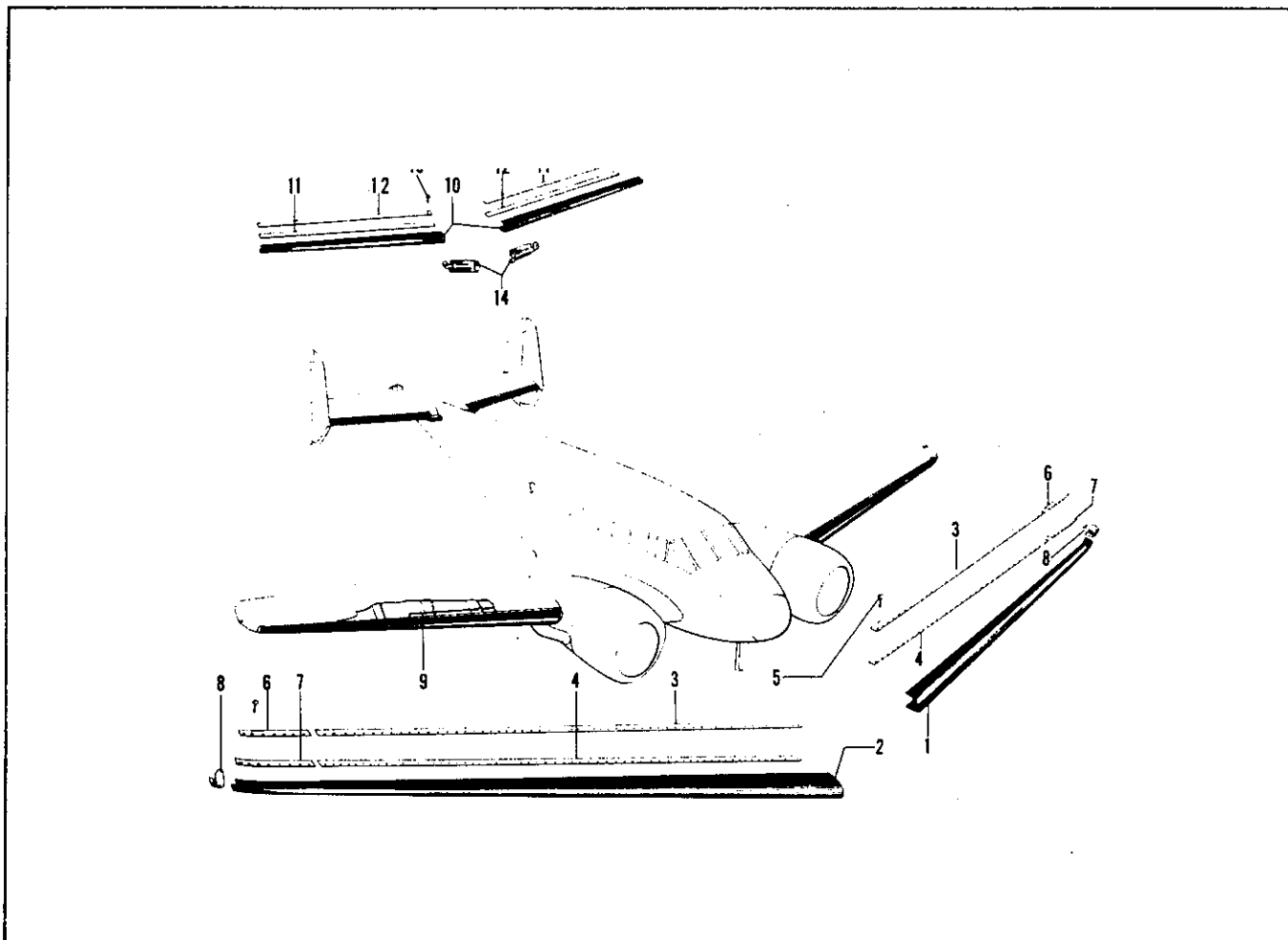


Figure 78 Wing and Stabilizer De-Icer Installation

Figure and Index Number	Group FURNISHINGS							Units per Assy	Usage on Code	
	Major Assembly WING - STABILIZER DE-ICER BOOT INSTALLATION									
	Part	1	2	3	4	5	6			7
78-	I180481	Boot Installation - Wing de-icer (see Figure 1)							Ref	ALL
- 1	I12-270-8-2	Boot - De-icer LH (GD)							1	ALL
- 2	I12-270-8-2	Boot - De-icer RH (GD)							1	ALL
- 3	I180481-1LH	Strip - Fairing top							1	ALL
	I180481-1RH	Strip - Fairing top							1	ALL
- 4	I180481-4LH	Strip - Fairing bottom							1	ALL
	I180481-4RH	Strip - Fairing bottom							1	ALL
		Attaching Parts								
- 5	AN507-6R8	Screw - Machine, flat head							AR	ALL
- 6	I180483L	Strip - Fairing top LH							1	ALL
	I180483R	Strip - Fairing top RH							1	ALL
- 7	I180484L	Strip - Fairing bottom LH							1	ALL
	I180484R	Strip - Fairing bottom RH							1	ALL
- 8	I180481-2	Strip - Hold down							2	ALL
- 9	I189498	Hose							4	ALL

Figure and Index Number	Group FURNISHINGS							Units per Assy	Usage on Code	
	WING - STABILIZER DE-ICER BOOT INSTALLATION (Cont'd)									
	Part	1	2	3	4	5	6			7
78-	I180482	Boot Installation - Stabilizer de-icer (see Figure 1)							Ref	ALL
-10	I1-270-9-1	Boot - De-icer (GD)							2	ALL
-11	I180482-4	Strip - Fairing							2	ALL
-12	I180482-6	Strip - Fairing							2	ALL
		Attaching Parts								
-13	AN507-6R8	Screw - Machine, flathead							AR	ALL
-14	I180482-2LH	Cover - (For use with de-icer installed)							1	ALL
	I180482-2RH	Cover - (For use with de-icer installed)							1	ALL
	I180482-3	Cover - (For use with de-icer removed)							2	ALL

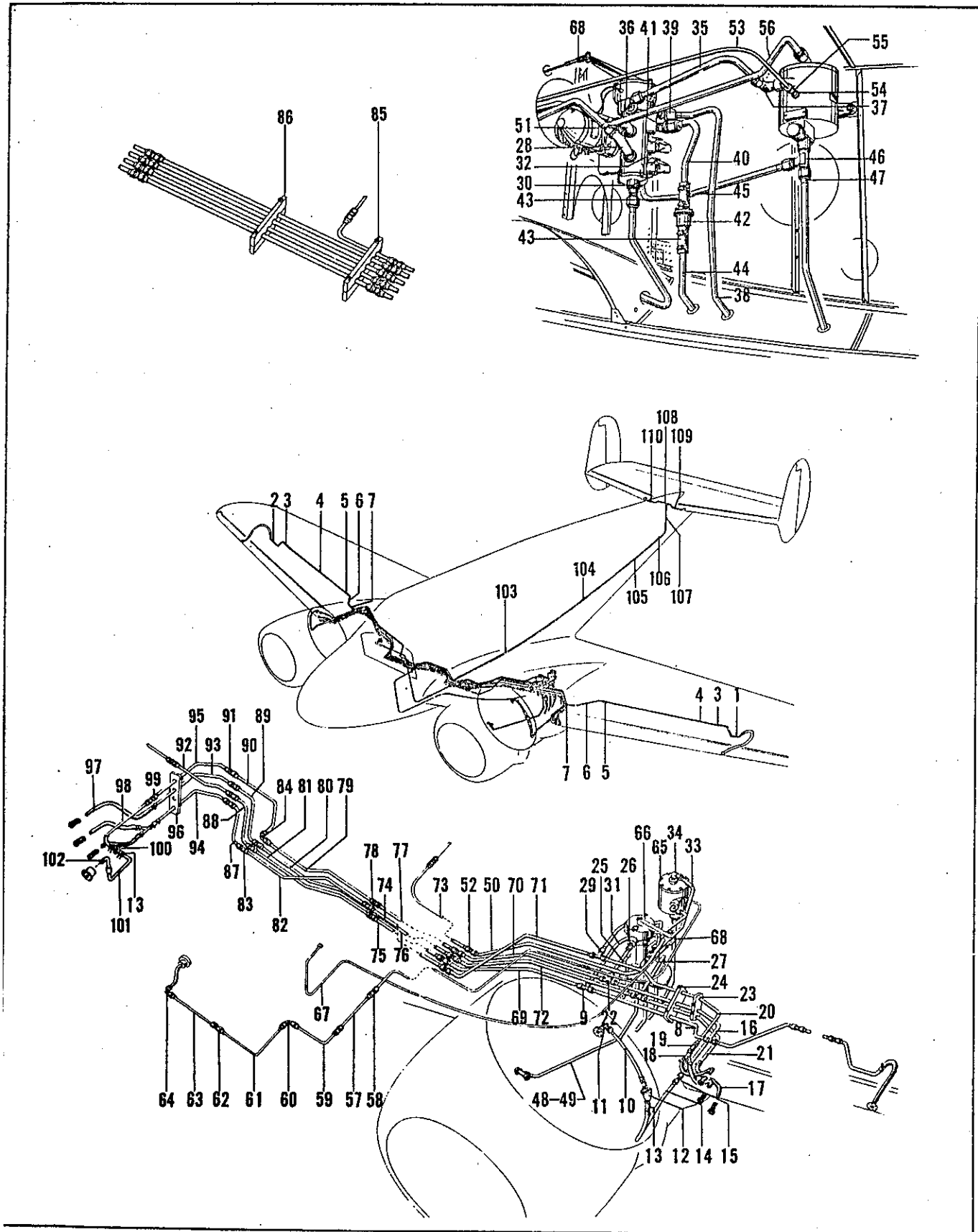


Figure 79. De-Icer System Installation

FIGURE and INDEX NUMBER	GROUP FURNISHINGS							Units Per Ass'y	Usage on Code	
	MAJOR ASSEMBLY DE-ICER SYSTEM INSTALLATION									
	PART NUMBER	1	2	3	4	5	6			7
79 -	644-189690	Piping Installation - De-Icer System (see Figure 1)							Ref	ALL
	644-181020	Plumbing Installation - Outer wing de-icer LH							1	ALL
	644-181020-1	Plumbing Installation - Outer wing de-icer RH							1	ALL
- 1	644-181021-12	Tube Assembly - Outer wing de-icer LH							1	ALL
- 2	644-181021-16	Tube Assembly - Outer wing de-icer RH							1	ALL
- 3	AN815-10D	Union							2	ALL
	105933-10	Clip - Hose							2	ALL
	Attaching Parts									
	AN520-10-8	Screw - Round head No. 10-32 x 1/2 in.							2	ALL
	AN960-10	Washer - Plain No. 10							2	ALL
	AN365-1032	Nut - Self locking No. 10-32							2	ALL
- 4	644-181021-4	Tube Assembly - Outer wing de-icer							2	ALL
- 5	AN815-10D	Union							2	ALL
- 6	644-181021-8	Tube Assembly - Inboard wing de-icer							2	ALL
- 7	AN815-10D	Union							2	ALL
- 8	644-189693-6	Tube Assembly - Left wing tip boot							2	ALL
- 9	AN824-10D	Tee							3	ALL
- 10	644-189692-54	Tube Assembly - De-icer system							1	ALL
- 11	AN822-10D	Elbow - 90 degree							1	ALL
- 12	W1500-5/8	Valve - Check (WTR)							2	ALL
- 13	106200H-10-11	Hose							7	ALL
- 14	644-189692-58	Tube Assembly - Left nacelle pressure							1	ALL
- 15	AN815-4D	Union							1	ALL
- 16	644-189692-66	Tube Assembly - Left nacelle pressure							1	ALL
- 17	111-67001	Hose - Wing boot connector							3	ALL
	B-127	Sleeve - Sealing							3	ALL
- 18	1189673	Nipple Assembly - De-icer boot double							1	ALL
- 19	106200H-10-11	Hose							1	ALL
- 20	644-189692-62	Tube Assembly - Pressure line left nacelle							1	ALL
- 21	644-189693-2	Tube Assembly - Left nacelle pressure							1	ALL
- 22	644-189694	Plug Assembly - De-icer testing							1	ALL
- 23	84-189598	Support - Nacelle de-icer							1	ALL
- 24	84-189677	Block - De-icer piping root rib LH							1	ALL
- 25	644-189693-50	Tube Assembly - De-icer valve outlet							1	ALL
- 26	1189673	Nipple Assembly - De-icer boot double							1	ALL
- 27	644-189693-34	Tube Assembly - De-icer valve outlet							1	ALL
- 28	AN821-10D	Elbow - 90 degree							1	ALL
- 29	644-189693-46	Tube Assembly - De-icer valve outlet							1	ALL
- 30	AN822-10	Elbow - 90 degree							1	ALL
- 31	644-189693-30	Tube Assembly - De-icer valve outlet							1	ALL
- 32	AN822-10	Elbow - 90 degree							1	ALL
- 33	644-189693-42	Tube Assembly - Oil separator inlet							1	ALL
- 34	AN822-10	Elbow - 90 degree							1	ALL
- 35	644-189693-38	Tube Assembly - De-icer valve inlet							1	ALL
- 36	AN823-10	Elbow - 45 degree							1	ALL
- 37	AN822-10	Elbow - 90 degree							1	ALL
- 38	644-189693-10	Tube Assembly - De-icer valve vent line							1	ALL
- 39	AN816-4	Nipple							1	ALL

FIGURE and INDEX NUMBER	GROUP FURNISHINGS		Units Per Ass'y	Usage on Code
	MAJOR ASSEMBLY DE-ICER SYSTEM INSTALLATION Cont'd			
	PART NUMBER	1 2 3 4 5 6 7 NOMENCLATURE		
79 - 40	644-189693-14	Tube Assembly - De-icer valve outlet	1	ALL
- 41	AN823-10	Elbow - 45 - degree	1	ALL
- 42	W1500-5/8	Valve - Check (WTR)	3	ALL
- 43	106200H-10-11	Hose	8	ALL
- 44	644-189693-18	Tube - Vent	1	ALL
- 45	644-189693-22	Tube Assembly	1	ALL
	AN822-10	Elbow - 90 - degree	1	ALL
- 46	AN824-10	Tee	1	ALL
- 47	644-189693-26	Tube Assembly - Oil separator vent	1	ALL
- 48	407-189657	Tube Assembly - De-icer distributor valve to vacuum line	1	ALL
- 49	AN816-10	Nipple	1	ALL
- 50	644-189691-54	Tube Assembly - De-icer valve outlet	1	ALL
- 51	AN822-10	Elbow - 90 - degree	1	ALL
- 52	AN815-10D	Union	5	ALL
- 53	644-189692-26	Tube Assembly - Pressure gauge line outlet	1	ALL
- 54	AN816-4	Nipple	1	ALL
- 55	AN815-10D	Union	1	ALL
- 56	734-189681	Tube Assembly - De-icer pressure	1	ALL
- 57	734-189682	Tube Assembly - Outboard de-icer pressure	1	ALL
- 58	AN815-4D	Union	1	ALL
- 59	734-189685	Tube Assembly - Panel de-icer pressure gauge	1	ALL
- 60	AN833-4D	Elbow - 90 - degree	1	ALL
- 61	404-189598	Tube Assembly - Cockpit de-icer pressure	1	ALL
- 62	AN815-4D	Union	1	ALL
- 63	644-189693-54	Tube Assembly - Cockpit de-icer pressure	1	ALL
- 64	AN837-4D	Elbow - 45 - degree	1	ALL
	AN924-4D	Nut	1	ALL
	AN960-A716	Washer	2	ALL
- 65	558	Separator - Oil (Model 1A or 2A)	1	ALL
- 66	94-189682	Valve Assembly - De-icer distributor	1	ALL
		OR		
	94-189682-605	Valve Assembly - De-icer distributor (use for spare part)	1	ALL
	I189711	Arm Assembly - De-icer valve	1	ALL
- 67	I189669	Control Assembly - De-icer valve	1	ALL
- 68	189302	Clevis - 3/16 in. adjustable	1	ALL
	84-189570	Angle - De-icer oil separator attaching	1	ALL
	84-189571	Angle - De-icer valve reinforcement	1	ALL
	1189678	Bracket - De-icer piping inboard left	1	ALL
	I189668	Clamp - De-icer piping inboard left	1	ALL
- 69	644-189691-38	Tube Assembly - Pressure line	1	ALL
- 70	644-189691-42	Tube Assembly - Pressure line left wing center section	1	ALL
- 71	644-189691-46	Tube Assembly - Pressure line left wing center section	1	ALL
- 72	644-189691-50	Tube Assembly - Pressure line left wing center section	1	ALL

FIGURE and INDEX NUMBER	GROUP FURNISHINGS							Units Per Ass'y	Usage on Code	
	MAJOR ASSEMBLY DE-ICER SYSTEM INSTALLATION Cont'd.									
	PART NUMBER	1	2	3	4	5	6 7			NOMENCLATURE
79 - 73	644-189691-18							Tube Assembly - Pressure line fuselage	1	ALL
- 74	644-189691-22							Tube Assembly - Right wing center boot	1	ALL
- 75	644-189691-26							Tube Assembly - Right wing tip boot	1	ALL
- 76	644-189691-30							Tube Assembly - Right wing upper and lower boot	1	ALL
- 77	644-189691-34							Tube Assembly - Right engine vacuum separator	1	ALL
- 78	AN815-10D							Union	4	ALL
- 79	644-189691-2							Tube Assembly - Right engine vacuum separator	1	ALL
- 80	644-189691-6							Tube Assembly - Right wing upper and lower boot	1	ALL
- 81	644-189691-10							Tube Assembly - Right wing tip boot	1	ALL
- 82	644-189691-14							Tube Assembly - Right wing center boot	1	ALL
- 83	AN815-10D							Union	3	ALL
- 84	AN821-10D							Elbow - 90 degree	1	ALL
- 85	734-189686							Support - De-icer fuselage piping left	1	ALL
- 86	644-189696							Bracket - De-icer piping fuselage	2	ALL
	1189668							Clamp - De-icer piping inboard LH	2	ALL
	84-189677							Block - De-icer piping root rib RH	2	ALL
	1189668							Clamp - De-icer piping inboard LH	2	ALL
	1189662							Brace	1	ALL
- 87	644-189692-10							Tube Assembly - Pressure line center section right wing	1	ALL
- 88	644-189692-14							Tube Assembly - Pressure line center section right wing	1	ALL
- 89	644-189692-18							Tube Assembly - Pressure line center section right wing	1	ALL
- 90	644-189692-22							Tube Assembly - Pressure line center section right wing	1	ALL
- 91	AN815-10D							Union	4	ALL
- 92	644-189692-50							Tube Assembly - Right wing tip boot	1	ALL
- 93	644-189692-38							Tube Assembly - Right wing upper and lower boot	1	ALL
- 94	644-189692-42							Tube Assembly - Right wing center boot	1	ALL
- 95	644-189692-46							Tube Assembly - Right engine vacuum separator	1	ALL
- 96	84-189598							Support - Nacelle de-icer piping	1	ALL
								Attaching Parts		
	AN3-13A							Bolt - Aircraft No. 10-32 x 1-3/8 in.	2	ALL
	AN960-10L							Washer - Plain No. 10	2	ALL
	AN365-1032							Nut - Self locking No. 10-32	2	ALL
- 97	111-67001							Hose - Wing boot connector	3	ALL
	B127							Sleeve - Sealing	3	ALL
- 98	644-189692-34							Tube Assembly - Right engine vacuum separator	1	ALL
- 99	AN815-10D							Union	1	ALL
- 100	W1500-5/8							Valve - Check (WTR)	1	ALL
- 101	644-189692-30							Tube Assembly - Right engine vacuum separator	1	ALL
- 102	AN822-10D							Elbow - 90 degree	1	ALL
- 103	644-189691-58							Tube Assembly - Tail surface boot	1	ALL
- 104	AN815-10D							Union	1	ALL
- 105	644-189691-62							Tube Assembly - Tail surface boot	1	ALL
- 106	AN815-10D							Union	1	ALL

FIGURE and INDEX NUMBER	GROUP FURNISHINGS							Units Per Ass'y	Usage on Code		
	MAJOR ASSEMBLY DE-ICER SYSTEM INSTALLATION Cont'd.										
	PART NUMBER	1	2	3	4	5	6			7	NOMENCLATURE
79 - 107	644-189691-66								Tube Assembly - Tail surface boot	1	ALL
- 108	AN824-10D								Tee	1	ALL
- 109	644-189692-6								Tube Assembly - Left stabilizer and fin	1	ALL
- 110	644-189692-2								Tube Assembly - Right stabilizer and fin	1	ALL



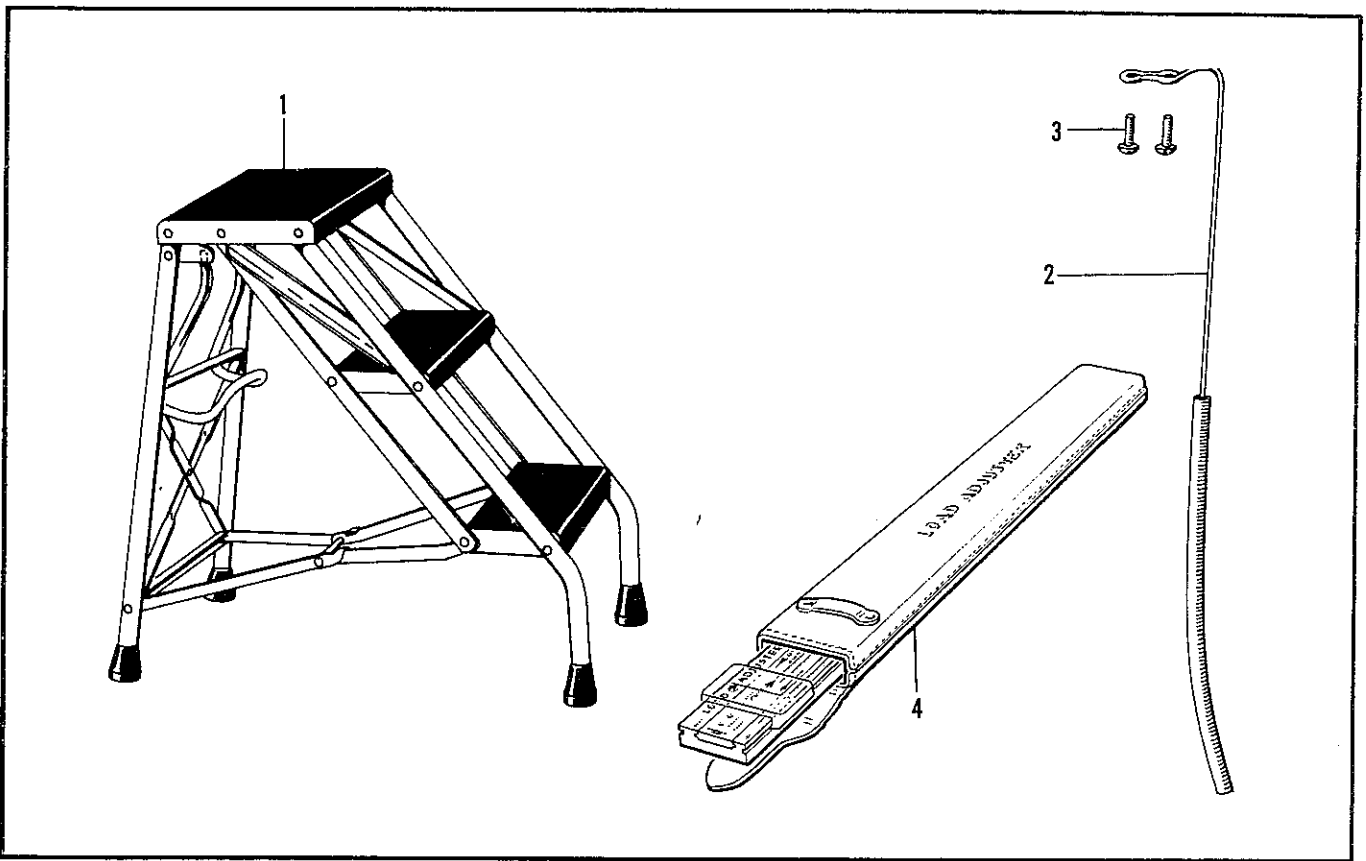


Figure 80 Miscellaneous Tools and Equipment

FIGURE and INDEX NUMBER	GROUP FURNISHINGS							Units Per Ass'y	Usage on Code		
	MAJOR ASSEMBLY		MISCELLANEOUS TOOLS AND EQUIPMENT								
	PART NUMBER	1	2	3	4	5	6			7	NOMENCLATURE
80 -	644-180020								Equipment Installation - Miscellaneous tools (see Figure 1)	Ref	ALL
- 1	404-183385								Ladder - Cabin	1	ALL
- 2	180820P								Ground Installation - Static	1	ALL
- 2	180820P-3								Ground Assembly -		
- 3	ANEC								Attaching		
									DELETED		ALL
									Wire - Steel music .035	1	ALL
- 4	No Number								Load Adjuster (Ref. RCAF 26 JU/E1044)	1	ALL

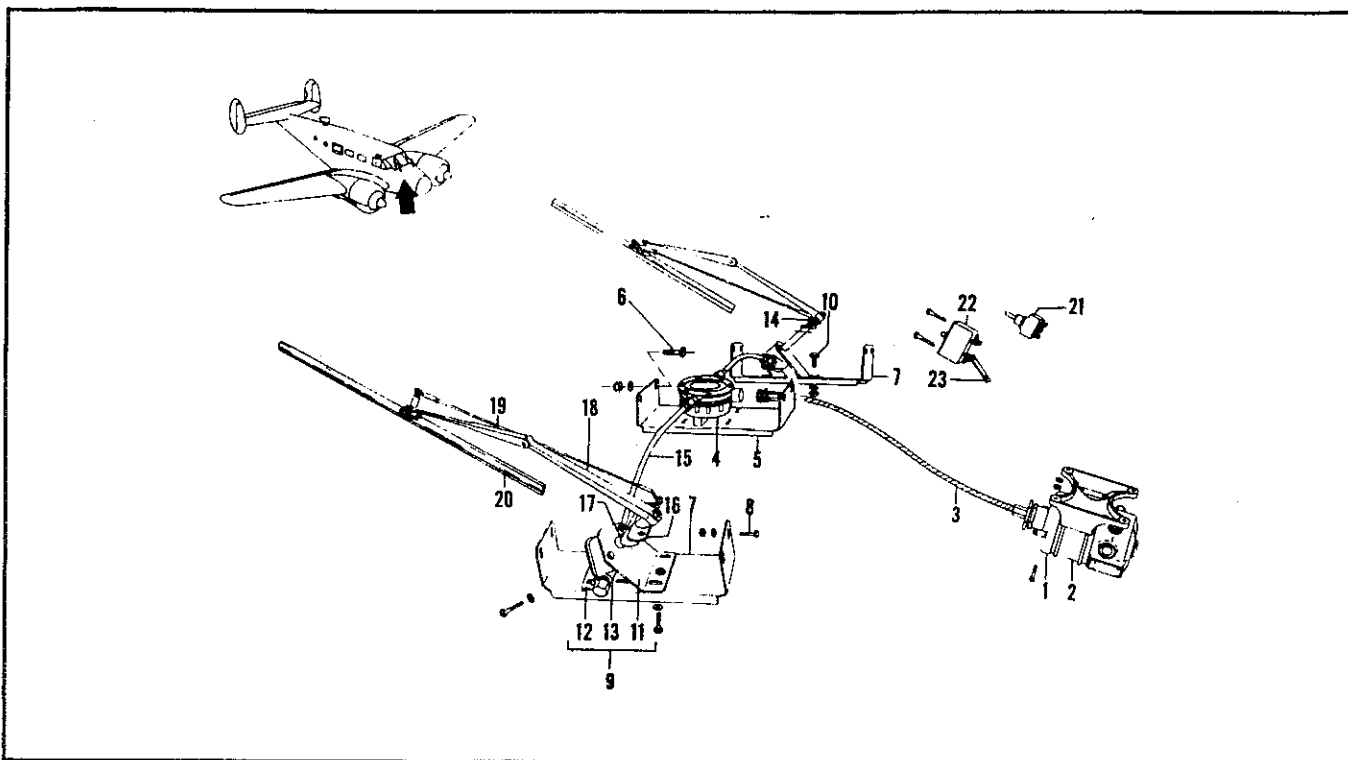


Figure 81. Windshield Wiper Installation

FIGURE and INDEX NUMBER	GROUP FURNISHINGS							Units Per Assy	Usage on Code		
	MAJOR ASSEMBLY WINDSHIELD WIPER INSTALLATION										
	PART NUMBER	1	2	3	4	5	6			7	NOMENCLATURE
81 -	437-180430								Wiper Installation - Windshield (See Figure 1)	Ref	ALL
- 1	D12364								Motor Assembly - (MQ)	1	ALL
									Attaching Parts		
	AN3-7A								Bolt - Aircraft No. 10-32 x 7/8 in.	4	ALL
	AN960-10								Washer - Plain No. 10	4	ALL
- 2	AN3057-10								Clamp	1	ALL
- 3	B14248								Drive Assembly - (MQ)	1	ALL
- 3A	A14247								Shaft Flexible Inner - (MQ) (RCAF Ref. No. 527W/10111)		
- 4	D14495								Converter Assembly - MQ)	1	ALL
- 5	437-180435								Bracket - Converter support	1	ALL
									Attaching Parts		
- 6	AN3-4A								Bolt - Aircraft No. 10-32 x 1/2 in.	8	ALL
	AN960-10								Washer - Plain No. 10	8	ALL
	AN365-1032								Nut - Self locking No. 10-32	8	ALL
- 7	644-180435								Bracket - Main windshield wiper mounting (1 LH & 1 RH)	2	ALL
									Attaching Parts		

FIGURE and INDEX NUMBER	GROUP FURNISHINGS							Units Per Ass'y	Usage on Code	
	MAJOR ASSEMBLY WINDSHIELD WIPER INSTALLATION Cont'd									
	PART NUMBER	1	2	3	4	5	6 7			NOMENCLATURE
81 - 8	AN3-4A							Bolt - Aircraft No. 10-32 x 1/2 in.	4	ALL
	AN960-10							Washer - Plain No. 10	4	ALL
	AN365-1032							Nut - Self locking No. 10-32	4	ALL
- 9	404-180434*							Bracket Assembly - Windshield wiper LH	1	ALL
	404-180434-1**							Bracket Assembly - Windshield wiper RH	1	ALL
	404-180435*							Bracket Assembly - Windshield wiper unit LH	1	ALL
	404-180435-1**							Bracket Assembly - Windshield wiper unit RH	1	ALL
	Attaching Parts									
- 10	AN3-4A							Bolt - Aircraft No. 10-32 x 1/2 in.	4	ALL
	AN960-10							Washer - No. 10	4	ALL
	AN365-1032							Nut - Self locking No. 10-32	4	ALL
- 11	437-180434***							Bracket - Windshield wiper unit forward	1	ALL
	404-180432****							Bracket - Windshield wiper unit forward	1	ALL
- 12	437-180433***							Bracket - Windshield wiper unit aft	1	ALL
	404-180433****							Bracket - Windshield wiper unit aft	1	ALL
- 13	B16554*							Unit Assembly - Drive (MQ)	1	ALL
	B17505**							Unit Assembly - Drive (MQ)	1	ALL
	Attaching Parts									
	AN3-14A							Bolt	2	ALL
	AN960-10							Washer	2	ALL
	AN365-1032							Nut	2	ALL
- 14	B16010							Seal - (MQ) (1 LH & 1 RH)	2	ALL
	AN960-C-10L							Washer - Plain No. 10 (1 LH & 1 RH)	2	ALL
	AN365-1032							Nut - Self locking No. 10-32 (1 LH & 1 RH)	2	ALL
- 15	B16602							Control Assembly - (MQ) (1 LH & 1 RH)	2	ALL
- 16	A16562							Plate Assembly - LH (MQ)	1	ALL
	A16563							Plate Assembly - RH (MQ)	1	ALL
- 17	A16590							Gasket - (MQ) (1 LH & 1 RH)	2	ALL
	Attaching Parts									
	SK100-10-32 x 1/2							Screw - No. 10-32 x 1/2 in. (SK)	2	ALL
	AN365-1032							Nut - Self locking No. 10-32	2	ALL
	*These parts are interchangeable									
	**These parts are interchangeable									
	***Parts used on 404-180435 and 404-180435-1									
	****Parts used on 404-180434 and 404-180434-1									

FIGURE and INDEX NUMBER	GROUP FURNISHINGS							Units Per Ass'y	Usage on Code		
	MAJOR ASSEMBLY WINDSHIELD WIPER INSTALLATION Cont'd										
	PART NUMBER	1	2	3	4	5	6			7	NOMENCLATURE
81 - 18	B13318								Arm Assembly - Drive (MQ) (1 LH & 1 RH)	2	ALL
- 19	D16716-5								Rod Assembly - Tie (MQ) (1 LH & 1 RH)	2	ALL
- 20	B16608								Blade and Holder Assembly - RH (MQ)	1	ALL
	B16607								Blade and Holder Assembly - LH (MQ)	1	ALL
- 21	AN3021-1								Switch - Windshield wiper	1	ALL
- 22	PSM-15								Breaker - Circuit (SPT)	1	ALL
									Attaching Parts		
	AN507-6R6								Screw - Flat Head No. 6-32 x 3/8 in.	2	ALL
- 23	404-183787								Bar - Bus	1	ALL

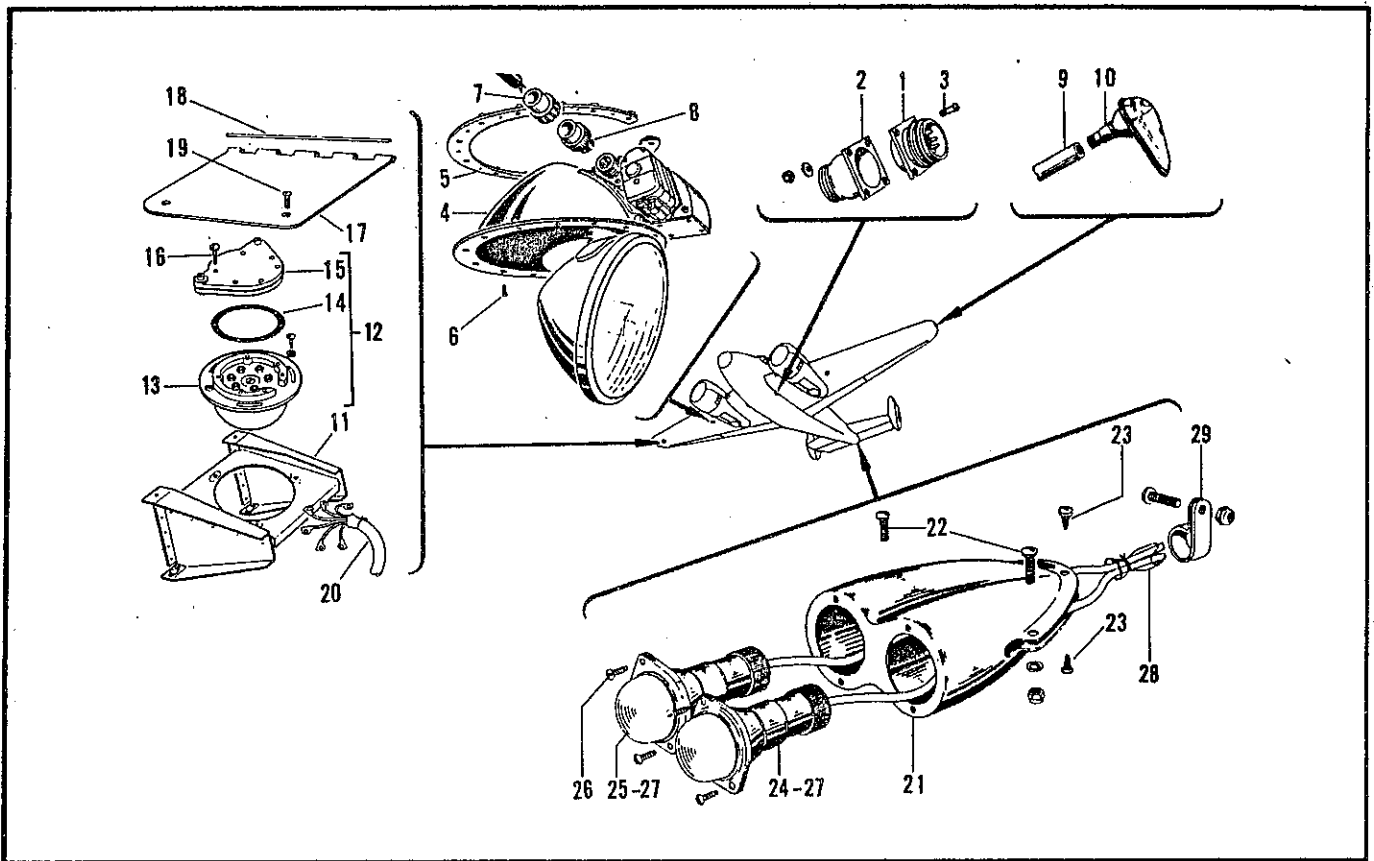


Figure 82. Outboard Wing and Tail Surface Electrical Installation

FIGURE and INDEX NUMBER	GROUP FURNISHINGS							Units Per Ass'y	Usage on Code	
	MAJOR ASSEMBLY OUTBOARD WING - TAIL SURFACE ELECTRICAL INSTALLATION									
	PART NUMBER	1	2	3	4	5	6 7			NOMENCLATURE
82 -	4MBA13415*							Equipment Installation L.H. Wing Outboard (See Figure 1)	Ref	ALL
	5MBA13045*							Equipment Installation R.H. Wing Outboard (See Figure 1)	Ref	ALL
	644-180668							Equipment Installation Outboard Wing (See Figure 1)	Ref	A
	644-180711							Equipment Installation Outboard Wing (See Figure 1)	Ref	BC
- 1	GK-C8-32SL							Receptacle - (CED) (1 L.H. & 1 R.H. Wing)	2	ALL
- 2	GK-CL-1/2 BN							Shell - Junction (CED) (1 L.H. & 1 R.H. Wing)	2	ALL
								ATTACHING PARTS		
- 3	AN515-8-10							Screw-Round Head No. 8 - 32 x 5/8"	4	ALL
	AN960-8							Washer - Plain No. 8	4	ALL
	AN365-832							Nut - Self Locking No. 8-32	4	ALL
								* 4MBA 13415 & 5MBA 13045 originally applicable to Model 3T, but supersedes 644 - 180668 & 644 - 180711 for Model 3N, 3NM & TM for future use.		

FIGURE and INDEX NUMBER	GROUP FURNISHINGS							Units Per Ass'y	Usage on Code	
	MAJOR ASSEMBLY OUTBOARD WING - TAIL SURFACE ELECTRICAL INSTALLATION Cont'd									
	PART NUMBER	1	2	3	4	5	6 7			NOMENCLATURE
82 - 4	AN3095-9							Lamp Assembly - Landing (1 LH & 1 RH Wing)	2	ALL
- 5	A-2507-1							Retainer Band Assembly (1 LH & 1 RH Wing)	2	ALL
								Attaching Parts		
- 6	AN505-6-R10							Screw	15	ALL
- 7	AN3106-18-5S							Plug (1 LH & 1 RH Wing)	2	ALL
- 8	AN3057-10							Clamp (1 LH & 1 RH Wing)	2	ALL
- 9	107242-2-03100							Tubing (LH & RH Wing)	AR	ALL
- 10	AN3033-3							Light Assembly Wing Position LH	1	ALL
	AN3033-4							Light Assembly Wing Position RH	1	ALL
- 11	644-187212							Bracket	Ref	ALL
	644-187213							Bracket	Ref	ALL
	644-187214							Bracket	Ref	ALL
- 12	No Number							Compass Gyrosyn Components C2	1	ALL
- 13	664543							Valve Flux	1	ALL
								Attaching Parts		
	AN516-136-8							Screw	3	ALL
	AN960-86							Washer	3	ALL
	AN366-B6							Anchor Nut	3	ALL
- 14	249384							Gasket - Rubber	1	ALL
- 15	656767							Compensator	1	ALL
								Attaching Parts		
- 16	287275							Screw - Brass binding head RCAF Ref. 6B/952	6	ALL
- 17	404-187210-12							Door Assembly	1	ALL
								Attaching Parts		
- 18	105774									
	-C-063-00428							Hinge Pin	1	ALL
- 19	AN515-B6-8							Screw	2	ALL
- 20	3MBA10007-3							Electrical Harness	1	ALL
	404-180980							Equipment Installation - Tail Surface (See Figure 1)	Ref	ALL
- 21	404-180990							Fairing Assembly - Tail Light	1	ALL
	2MBA3180							Fitting Assembly - Lamp	1	ALL
								Attaching Parts		
- 22	AN526-632-10							Screw Truss Head No. 6-32 x 5/8"	2	ALL
	AN960-6							Washer - Plain No. 6	2	ALL
	AN365-632							Nut - Self locking No. 6-32	2	ALL
- 23	AN530-6-6							Screw - Round head - Sheet Metal No. 6-32 x 3/8"	2	ALL
- 24	A-2064							Tail Light - White model S1 (GMC)	1	ALL
- 25	A-2064							Tail Light - Red model S1 (GMC)	1	ALL
								Attaching Parts		
- 26	AN530-4-8							Screw - Round head No. 4 x 1/2"	4	ALL
	4MBA 3181-3							Spacer - Tail Lamp	2	D
	1MBA3182							Spacer - Tail Lamp	2	D
- 27	AN3092-2							Light Assembly - Clear	2	D

FIGURE and INDEX NUMBER	GROUP FURNISHINGS							Units Per Ass'y	Usage on Code		
	MAJOR ASSEMBLY		OUTBOARD WING- TAIL SURFACE ELECTRICAL INSTALLATION Cont'd								
	PART NUMBER	1	2	3	4	5	6			7	NOMENCLATURE
82 27	AN3093-5**								Cover Assembly - Red	1	D
	AN515-4-8								Screw-Round Head No. 4-40 x 1/2"	4	ALL
	AN505-4-6								Screw-Flat Head No. 4-40 x 3/4"	4	ALL
	AN365-440								Nut-Self	4	ALL
- 28	106242-3-01600								Tubing - Extruded Insulation	AR	ALL
									ATTACHING PARTS		
- 29	AN742D4								Clamp	1	ALL
	AN515-8-7								Screw-Round Head No. 8-32 x 7/16"	1	ALL
	AN365-832								Nut-Self Locking No. 8-32	1	ALL
									**Install in one (AN3092-2 Light Assembly) and return clear cover assembly to stock.		

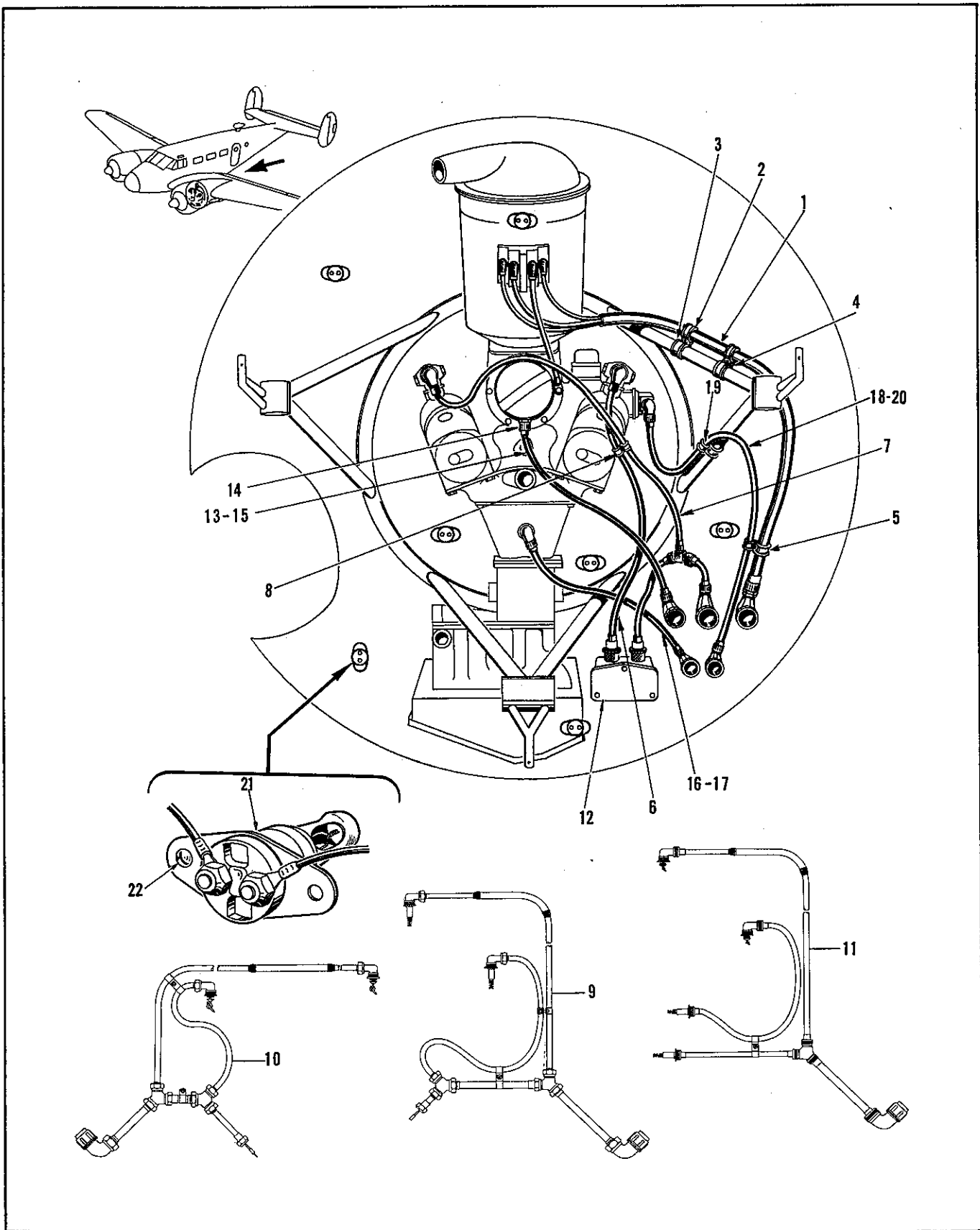


Figure 83. Firewall Electrical Equipment Installation



FIGURE and INDEX NUMBER	GROUP FURNISHINGS							Units Per Ass'y	Usage on Code	
	MAJOR ASSEMBLY FIRE WALL ELECTRICAL EQUIPMENT INSTALLATION									
	PART NUMBER	1	2	3	4	5	6 7			NOMENCLATURE
83 -	644-180555							Equipment Installation - Fire Wall Electrical LH (See Figure 1)	REF	ABC
	644-180555-1							Equipment Installation - Fire Wall Electrical RH (See Figure 1)	REF	ABC
	5MBA10200							Electrical Installation Schematic Wiring Diagram, use 644-180555 for physical layout (See Figure 1)	REF	D
- 1	416184-601							Harness Assembly (Generator to Firewall LH)	1	ALL
	416184-602							Harness Assembly (Generator to Firewall RH)	1	
	No Number							Bonding Sumper (Generator)	1	ALL
		Attaching Parts								
- 2	AN742-D12							Clip	AR	ALL
- 3	AN742-D16							Clip	AR	ALL
- 4	AN742-D20							Clip	AR	ALL
	AN515-8-12							Screw - Round head No. 8-32 x 3/4 in.	AR	ALL
	AN365-832							Nut - Self locking No. 8-32	AR	ALL
- 5	AN742-D5							Clip	AR	ALL
	AN742-D3							Clip	AR	ALL
	AN515-8-10							Screw - Round Head No. 8-32 x 5/8 in.	AR	ALL
	AN365-832							Nut - Self locking No. 8-32	AR	ALL
		OR								
- 6	No Number 180904							Koroseal lacing Harness Assembly - Use with Bosch Magneto LH and Vibrator type VJR24B-5X on LH and RH engine.	AR	ALL
- 7	180905-6							Harness Assembly - use with Bosch Magneto RH and Vibrator type VJR24B-5X on LH engine only.	1	ALL
	180905-8							Harness Assembly - use with Bosch Magneto RH and Vibrator type VJR24B-5X on RH engine only.	1	ALL
		Attaching Parts								
- 8	AN742-D5							Clip	AR	ALL
	AN742-D18							Clip	AR	ALL
	AN515-8-12							Screw - Round head No. 8-32 x 3/4 in.	AR	ALL
	AN365-832							Nut - Self locking No. 8-32.	AR	ALL
		OR								
	No Number							Koroseal lacing	AR	ALL
- 9	644-180599*							Harness Assembly - use with Bosch. Magneto and Vibrator type AN4181-1 on LH and RH engine.	1	ALL
- 10	644-180707*							Harness Assembly - use with Scintilla. Magneto and Vibrator type AN4181-1 on LH and RH engine.	1	ALL
		* The ideal Magneto Vibrator combination is Scintilla mag/AN4181-1 Vibrator. When a change of one or the other of these items is necessary it is to be ensured the change is toward this combination.								

FIGURE and INDEX NUMBER	GROUP FURNISHINGS							Units Per Ass'y	Usage on Code		
	MAJOR ASSEMBLY		FIREWALL ELECTRICAL EQUIPMENT INSTALLATION Cont'd.								
	PART NUMBER	1	2	3	4	5	6			7	NOMENCLATURE
83 - 11	644-180659-1*								Harness Assembly - Use with Scintilla Magneto and vibrator VJR24B-5K on LH engine only	1	ABC
	644-180659-3*								Harness Assembly - Use with Scintilla Magneto and vibrator VJR24B-5K on RH engine only	1	ABC
	3MBA10081*								Harness Assembly - Use with Scintilla Magneto and vibrator VJR24B-5K on LH engine only	1	D
	3MBA10075*								Harness Assembly - Use with Scintilla Magneto and vibrator VJR24B-5K on RH engine only	1	D
- 12	VJR24B-5X								Vibrator - Induction	1	ALL
	AN4181-1								Vibrator - Induction	1	ALL
- 13	3MBA10071								Harness Assembly - Starter to firewall LH	1	ALL
	3MBA10077								Harness Assembly - Starter to firewall RH	1	ALL
	Attaching Parts										
- 14	AN3064-8								Connector - Box	1	ALL
	AN3066-8								Lock Nut	1	ALL
	AN3108-18-6P								Plug - Starter Firewall	1	ALL
- 15	3096-13-8-AB								Conduit Assembly - Starter (LH and RH)	2	ALL
	-0161								OR		
	414-180555-606								Conduit Assembly - Starter LH (use for spare part)	1	ALL
									OR		
	414-180555-605								Conduit Assembly - Starter RH (use for spare part)	1	ALL
- 16	3MBA10072								Harness Assembly - Carburettor to firewall LH	1	ALL
	3MBA10078								Harness Assembly - Carburettor to firewall RH	1	ALL
	Attaching Parts										
	AN742-D5								Clip	AR	ALL
	AN742-D16								Clip	AR	ALL
	AN515-8-10								Screw - Round head No. 8-32 x 5/8 in.	AR	ALL
	AN365-832								Nut - Self locking No. 8-32	AR	ALL
									OR		
	No Number								Korbseal Lacing	AR	ALL
	AN3108-12S-3D								Plug - Firewall	1	ALL
	AN3108-12S-3S								Plug - Carburettor	1	ALL
- 17	3096-13-4-AA								Conduit Assembly - Carburettor LH and RH	1	ALL
	-0194								OR		
	404-180555-653								Conduit Assembly - Carburettor LH and RH (use for spare part)	1	ALL
	* The ideal Magneto Vibrator combination is Scintilla mag/AN4181-1 vibrator. When a change of one or the other of these items is necessary it is to be ensured the change is toward this combination.										

FIGURE and INDEX NUMBER	GROUP FURNISHINGS							Units Per Ass'y	Usage on Code		
	MAJOR ASSEMBLY		FIREWALL ELECTRICAL EQUIPMENT INSTALLATION Cont'd.								
	PART NUMBER	1	2	3	4	5	6			7	NOMENCLATURE
83 - 18	3MBA10073								Harness Assembly - Tachometer generator - Firewall LH	1	ALL
	3MBA10079								Harness Assembly - Tachometer generator - Firewall RH	1	ALL
	Attaching Parts										
- 19	AN742-D16								Clip	AR	ALL
	AN742-D5								Clip	AR	ALL
	AN515-8-10								Screw	AR	ALL
	AN365-8-32								Nut	AR	ALL
	No Number								Koroseal Lining	AR	ALL
	AN3108-14S-1S								Plug	2	ALL
- 20	814-180783								Conduit Assembly - Flexible LH/RH OR	1	ALL
	404-180555-654								Conduit Assembly - Flexible LH (use for spare part) OR	1	ALL
	404-180555-655								Conduit Assembly - Flexible RH (use for spare part)	1	ALL
- 21	35534-3								Detector - Fire (Ed. 1)	7	ALL
	Attaching Parts										
- 22	AN515-8-6								Screw - Round head No. 8-32 x 3/16 in.	2	ALL
	AN365-832								Nut - Self locking No. 8	2	ALL

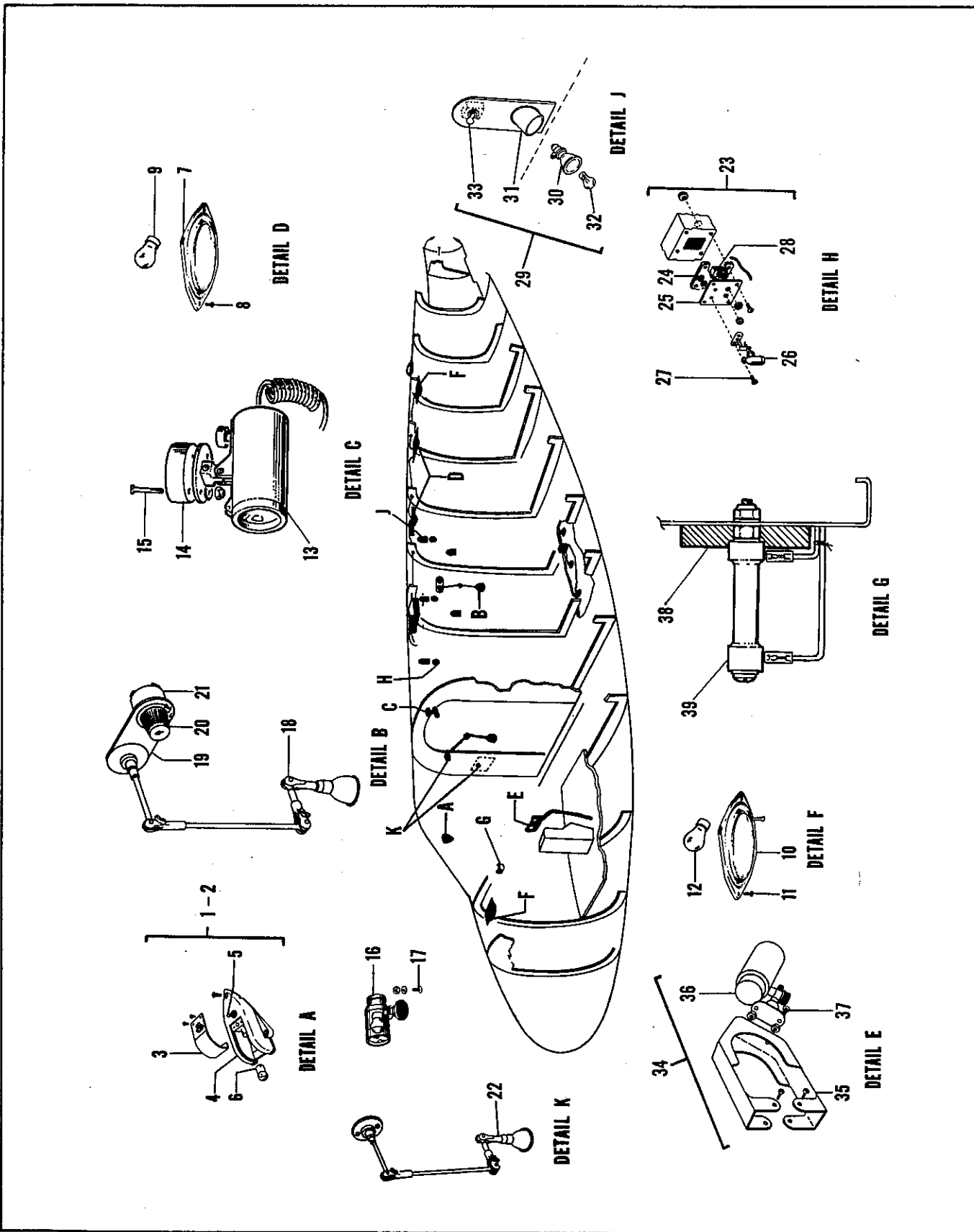


Figure 84. Fuselage Electrical Equipment Installation

FIGURE and INDEX NUMBER	GROUP FURNISHINGS							Units Per Ass'y	Usage on Code		
	MAJOR ASSEMBLY		FUSELAGE ELECTRICAL EQUIPMENT INSTALLATION								
	PART NUMBER	1	2	3	4	5	6			7	NOMENCLATURE
84 -	644-180540								Equipment Installation - Fuselage electrical (see Figure 1)	Ref	A
	644-180531								Equipment Installation - Fuselage electrical (see Figure 1)	Ref	B
	644-180530								Equipment Installation - Fuselage electrical (see Figure 1)	Ref	C
	5MBA13566								Equipment Installation - Fuselage electrical (see Figure 1)	Ref	D
- 1	644-180754-1								Light Installation - Pilot's map LH	1	ALL
	644-180754-2								Light Installation - Pilot's map RH	1	ALL
- 2	644-180755SA4								Lamp Assembly - Pilot's map	1	ALL
									Attaching Parts		
	AN530-6-14								Screw - Sheet metal No. 6	3	ALL
	NAS395-5-1								Spring - Nut	3	ALL
- 3	894-180757								Cover	1	ALL
									Attaching Parts		
	AN515-6R4								Screw - Round head No. 6-32 x 1/4 in.	2	ALL
- 4	814-180756								Housing - Pilot's map light	1	ALL
- 5	GA-1-A3								Switch - (GE)	1	ABC
	10-SW-75								Switch - (GE)	1	D
- 6	AN3133-303								Bulb - Light	1	ALL
- 7	404-180997								Light - Cabin dome	2	ALL
									Attaching Parts		
- 8	AN526-6-9								Screw - Truss head No. 6-32 x 9/16 in.	1	ALL
	AN505-6-8								Screw - Flat head No. 6-32 x 1/2 in.	3	ALL
- 9	AN3131-303								Bulb - Light	2	ALL
- 10	804-180997-600								Light - Baggage compartment	1	ALL
									Attaching Parts		
- 11	AN526-6-9								Screw - Truss head No. 6-32 x 9/16 in.	2	ALL
	AN505-6-8								Screw - Flat head No. 6-32 x 1/2 in.	6	ALL
- 12	AN3131-303								Bulb - Light	1	ALL
- 13	D7825								Light Assembly - Cockpit extension	1	ALL
- 14	111-71034-3								Spacer - Between upholstery and skin	1	ALL
									Attaching Parts		
- 15	AN515-8R26								Screw - Round head No. 8-32 x 1-5/8 in.	2	ALL
	AN365-832								Nut - Self locking No. 8-32	2	ALL
- 16	D2332								Light Assembly - Instrument Panel Overhead (GMC)	1	D
									Attaching Parts		
- 17	AN515-6R7								Screw - Round head No. 6-32 x 7/16 in.	2	D
	AN960-6								Washer - Plain No. 6	2	D
	AN365-632								Nut - Self locking No. 6-32	2	D

FIGURE and INDEX	GROUP FURNISHINGS							Units Per Ass'y	Usage on Code		
	MAJOR ASSEMBLY		FUSELAGE ELECTRICAL EQUIPMENT INSTALLATION Cont'd.								
	PART NUMBER	1	2	3	4	5	6			7	NOMENCLATURE
84 - 18	AN3047-9								Light Assembly - Second Nav.	1	A
		Attaching Parts									
	AN520-10R16								Screw - Round head No. 10-32 x 1 in.	3	A
- 19	644-180541								Plate Assembly - Lamp	1	A
- 20	5100								Knob - Lamp Assembly Control (OM)	1	A
- 21	0147								Rheostat - (OM)	1	A
- 22	AN3047-9								Light Assembly - First Nav.	1	AB
		Attaching Parts									
	AN520-10R16								Screw - Round head No. 10-32 x 1 in.	3	AB
	0147								Rheostat (see Figure 105-11)	Ref	AB
- 23	84-180750								Lamp Assembly - Cabin reading	3	D
		Attaching Parts									
	AN515-8-6								Screw - Round head No. 8-32 x 3/8 in.	4	D
- 24	84-180750-2								Pad - Base	1	D
- 25	84-180750-1								Plate - Base.	1	D
- 26	A2277								Lamp Assembly - (Type C-3) (MQ)	1	D
		Attaching Parts									
- 27	AN515-6-10								Screw - Round head No. 6-32 x 5/8 in.	2	D
	AN960-6								Washer - Plain No. 6	2	D
	AN365-632								Nut - Self locking No. 6-32	2	D
- 28	10-SW-75								Switch - (GE)	1	D
	6C-28V								Bulb - Light (GE)	1	D
- 29	No Number								Lamp Assembly - Cabin Reading	5	C
- 30	A-3420								Inner Reading Lamp Assembly (GMC)	1	C
- 31	404-183705								Reading Lamp Shade	1	C
- 32	M-305-15C								Reading Lamp Bulb	1	C
- 33	10-SW-75								Reading Lamp Switch	1	C
									OR		
	404-180749								Lamp Assembly - Cabin reading (use for spare part)	1	C
- 34	404-180541								Bracket Assembly - Fluorescent light	2	ALL
		Attaching Parts									
	PK76x2-6-5								Screw - Sheet metal No. 6 x 5/16 in.	4	ALL
- 35	404-180571								Bracket Assembly - Fluorescent light mounting	1	ALL
- 36	C8 or B2930-A								Light Assembly - Fluorescent	1	ALL
		Attaching Parts									
- 37	AN515-6R5								Screw - Round head No. 6-32 x 5/16 in.	2	ALL
	AN364-632								Nut - Self locking No. 6-32	2	ALL
- 38	1265NA								Relay Horn Cut-out (LR)	1	ALL
		Attaching Parts									
	AN515-6-16								Screws	3	ALL
	AN365-632A								Nuts	3	ALL

FIGURE and INDEX NUMBER	GROUP FURNISHINGS							Units Per Ass'y	Usage on Code		
	MAJOR ASSEMBLY		FUSELAGE ELECTRICAL EQUIPMENT INSTALLATION Cont'd.								
	PART NUMBER	1	2	3	4	5	6			7	NOMENCLATURE
84 - 39	RG32G141								Resistor - Compass light	1	ALL
		Attaching							Parts	1	ALL
	AN320-416-40								Screw	1	ALL
	AN960-416								Washer	3	ALL
	AN316-4								Nut	1	ALL
	AN365-428								Nut	1	ALL

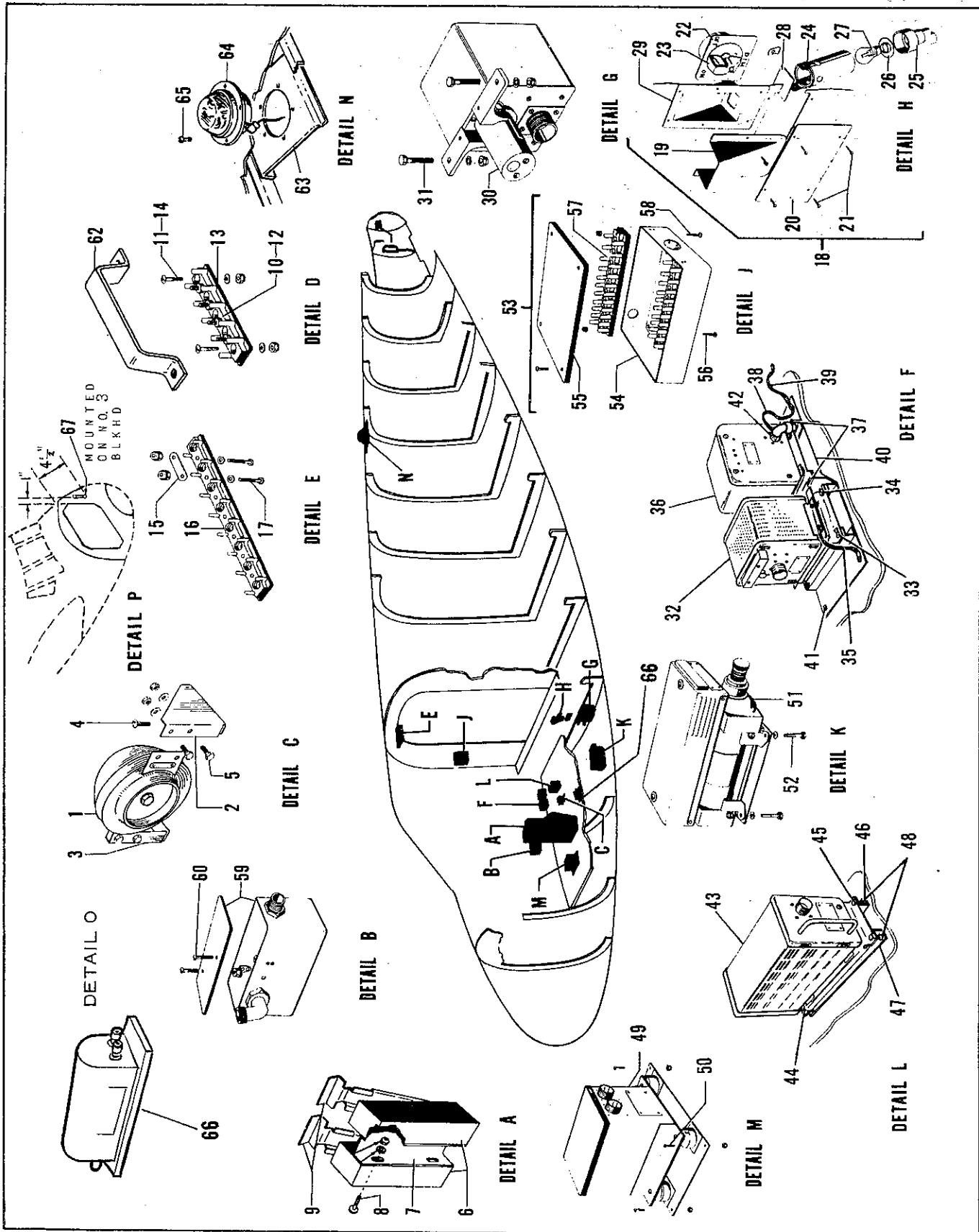


Figure 85 (Issue 2) Fuselage Electrical Equipment Installation



FIGURE and INDEX NUMBER	GROUP FURNISHINGS							Units Per Ass'y	Usage on Code	
	MAJOR ASSEMBLY				FUSELAGE ELECTRICAL EQUIPMENT INSTALLATION					
	PART NUMBER	1	2	3	4	5	6			7
85 -	644-180540	Equipment Installation - Fuselage electrical (See Figure 1)							Ref	A
	644-180531	Equipment Installation - Fuselage electrical (See Figure 1)							Ref	B
	644-180530	Equipment Installation - Fuselage electrical (See Figure 1)							Ref	C
	5MBA13566	Equipment Installation - Fuselage electrical (See Figure 1)							Ref	D
- 1	B9606	Horn - Warning							1	ALL
- 2	84-180723	Bracket - Warning horn LH							1	ALL
- 3	84-180723-1	Bracket - Warning horn RH							1	ALL
		Attaching Parts								
- 4	AN526-8-16	Screw - Truss head No. 8-32 x 1 in.							2	ALL
	AN960-8	Washer - Plain No. 8							2	ALL
	AN365-832	Nut - Self locking No. 8-32							2	ALL
- 5	AN4-4A	Bolt - Aircraft No. 1/4 -28 x 17/32 in.							2	ALL
	AN365-428	Nut - Self locking No. 4-28							2	ALL
- 6	YZ-R31	Switch - Micro (MCS)							2	ABC
	AN3210-1	Switch - Micro (MCS)							2	D
- 7	183888	Brace - Warning horn throttle switch							1	ALL
		Attaching Parts								
- 8	AN526-6-18	Screw - Truss head No. 6-32 x 1-1/8 in.							8	ALL
	AN960-6	Washer - Plain No. 6							8	ALL
	AN365-632	Nut - Self locking No. 6-32							8	ALL
- 9	AN3170-1	Actuator - Warning horn throttle switch L H							1	ALL
	AN3170-2	Actuator - Warning horn throttle switch R H							1	ALL
- 10	NAS45-6-4	Strip							1	AD
		Attaching Parts								
- 11	AN526-632-18	Screw - Truss head No. 6-32 x 1-1/8 in.							2	A
	AN515-4-6	Screw - Round Head No. 4-32 x 3/8 in.							2	D
	AN960-6	Washer - Plain No. 6							2	AD
	AN365-632	Nut - Self locking No. 6-32							2	A
	AN365-440	Nut - Self locking No. 4-40							2	D
- 12	AN3425-2-4	Block - Terminal							1	BC
- 13	AN3437-1-5	Strip - Insulating							1	BC
		Attaching Parts								
- 14	AN515-4-6	Screw - Round head No. 4-32 x 3/8 in.							2	BC
	AN960-4	Washer - Plain No. 4							2	BC
	AN365-440	Nut - Self locking No. 4-40							2	BC
- 15	804-183926	Strip - Connector							1	ALL
- 16	NAS45-6-8	Strip - Terminal							1	ABC
	AN3436-2-8	Strip - Terminal							1	D
		Attaching Parts								
- 17	AN515-4-6	Screw - Round head No. 4-40 x 3/8 in.							2	ALL

FIGURE and INDEX NUMBER	GROUP MAJOR ASSEMBLY PART NUMBER	FURNISHINGS							Units Per Ass'y	Usage on Code
		FUSELAGE ELECTRICAL EQUIPMENT INSTALLATION Cont'd								
		1	2	3	4	5	6	7		
85 - 17	AN960-4 AN365-440							Washer - Plain No. 4. Nut - self locking No. 4-40	2 2	ALL ALL
- 18	404-183601							Light Installation - Radio Panel	1	ALL
- 19	404-183601-16 Attaching Parts AN526-8R9							Shield - Radio panel light Screw - Truss head No. 8-32 x 9/16 in.	1 6	ALL ALL
- 20	404-183601 Attaching Parts							Cover - Inspection hole	1	ALL
- 21	AN526-8R9 AN366F-832							Screw - Truss head No. 8-32 x 9/16 in. Nut - Plate No. 8-32	4 4	ALL ALL
- 22	No. Number							Rheostat - 25 - watt 75 ohm (OM)	1	ALL
- 23	AN3220-2							Knob	1	ALL
- 24	404-183601-30							Cup Assembly	1	ALL
- 25	SC2611							Socket - Light (COH)	1	ALL
- 26	404-183601-4							Reflector - Light	1	ALL
- 27	AN3124-307							Bulb - Light	1	ALL
- 28	404-183601-20							Lens - Amber	1	ALL
- 29	404-183601-32							Rivet Assembly - Radio Panel light shield	1	ALL
- 30	450250-0-3 Attaching Parts							Flasher - Position light (BX)	1	ALL
- 31	AN3-11A AN520-10-10 AN960-10 AN365-1032							Bolt - Aircraft No. 10-32 X 1-1/8 in. Screw - Round head No. 10-32 x 5/8 in. Washer - Plain No. 10 Nut - Self locking No. 10-32	2 2 2	ALL ALL ALL
- 32	653895 664256 Attaching Parts							Amplifier - Gyrosyn Servo (SPE) Amplifier - Gyrosyn Servo (SPE)	1 1	ALL D
- 33	254370 AN365-632							Snapslide Stud Nut	2 2	ALL ALL
- 34	276989 AN365-832							Mounting Stud Nut	2 2	ALL ALL
- 35	2MBA-5755-3 -3-4-0							Jumper	1	ALL
- 36	652832 Attaching Parts							Control Unit - Gyro Horizon Power (SPE)	1	ALL
- 37	254370 AN365-632 276989  AN365-832							Snapslide Stud (inboard) Nut Mounting Stud (outboard)  Nut	2 2 2 2	ALL ALL ALL ALL
- 38	2MBA5755-2-3 -5-2							Jumper	1	ALL

FIGURE and INDEX NUMBER	GROUP	FURNISHINGS							Units Per Ass'y	Usage on Code			
	MAJOR ASSEMBLY	FUSELAGE ELECTRICAL EQUIPMENT INSTALLATION Cont'd											
	PART NUMBER	1	2	3	4	5	6	7			NOMENCLATURE		
85 - 39	2MBA5755-3-3												
	-6-0												
- 40	4MBA6930												
	Attaching Parts												
- 41	AN526-832-16												
	AN366-F832												
- 42	AN3106-16S-1S												
- 43	674733												
	Attaching Parts												
- 44	254370												
	AN365-632												
- 45	276989												
	AN365-832												
- 46	111-71013-2												
- 47	111-81013-3												
	Attaching Parts												
- 48	AN526-832-16												
	100696D08-06-018												
	AN365-832												
- 49	35884												
	Attaching Parts												
- 50	AN520DD10-16												
	AN365D-1032												
	AN960-10												
	AN3106-14S-5S												
	AN3057-6												
- 51	AN3532-1												
	Attaching Parts												
- 52	AN3-16A												
	AN960-10												
	AN365-1032												
- 53	644-180545												
	2MBA6560												
	Attaching Parts												
	AN515-8-6												
	AN960-8												
	AN365-832												
- 54	644-180546												
	2MBA6560-2												
- 55	644-180547												
	2MBA6560-3												

FIGURE and INDEX NUMBER	GROUP		FURNISHINGS							Units Per Ass'y	Usage on Code
	MAJOR ASSEMBLY		FUSELAGE ELECTRICAL EQUIPMENT INSTALLATION Cont'd								
	PART NUMBER	1	2	3	4	5	6	7	NOMENCLATURE		
85 - 56	Attaching Parts								Screw - Round head No. 8-32 x 7/8 in.	4	ABC
	AN515-8-7								Screw - Round head No. 8-32 x 7/8 in.	2	D
- 57	AN3426-2-11								Strip - Terminal	3	ABC
	NAS45-6-5								Strip - Terminal	2	D
- 58	Attaching Parts								Screw - Round head No. 4-40 x 5/16 in. per installation	2	ABC
	AN515-4-5								Screw - Flat head No. 4-40 x 3/8 in. per installation.	2	D
	AN505-4-6								Nut - Self locking No. 4-40	2	ABC
	AN365-440								Nut - Light hexagon No 4-40 per installation	2	D
	AN340-4										
- 59	1MBA13101								Placard - Identification	1	D
	404-180526								Box Assembly - Ignition switch shield	1	ALL
	404-180525								Box Lid - Ignition switch shield	1	ALL
- 60	Attaching Parts								Screw - Truss head No. 6-32 x 7/16 in.	2	ALL
	AN526-6-7										
- 61	4MBA6930								Bracket - Mounting	1	ALL
- 62	2MBA6648								Guard - Terminal strip	1	D
	111-71014								Anti-Collision Lights Installation (see Figure 16)	Ref	ALL
- 63	111-71017-4								Doubler	1	ALL
- 64	G8400-8-24								Light - Anti-collision (GMC)	1	ALL
- 65	Attaching Parts								Screw	5	ALL
	AN526-632R9										
-66	650-1795								Relay Inverter Failure (Ref EO 05-45B-6A/253)	1	ALL
-67	MS24149D1 (NSN 5945-00- 840-6467)								Relay DPDT - Emergency Over-ride (See Detail P)	1	ALL



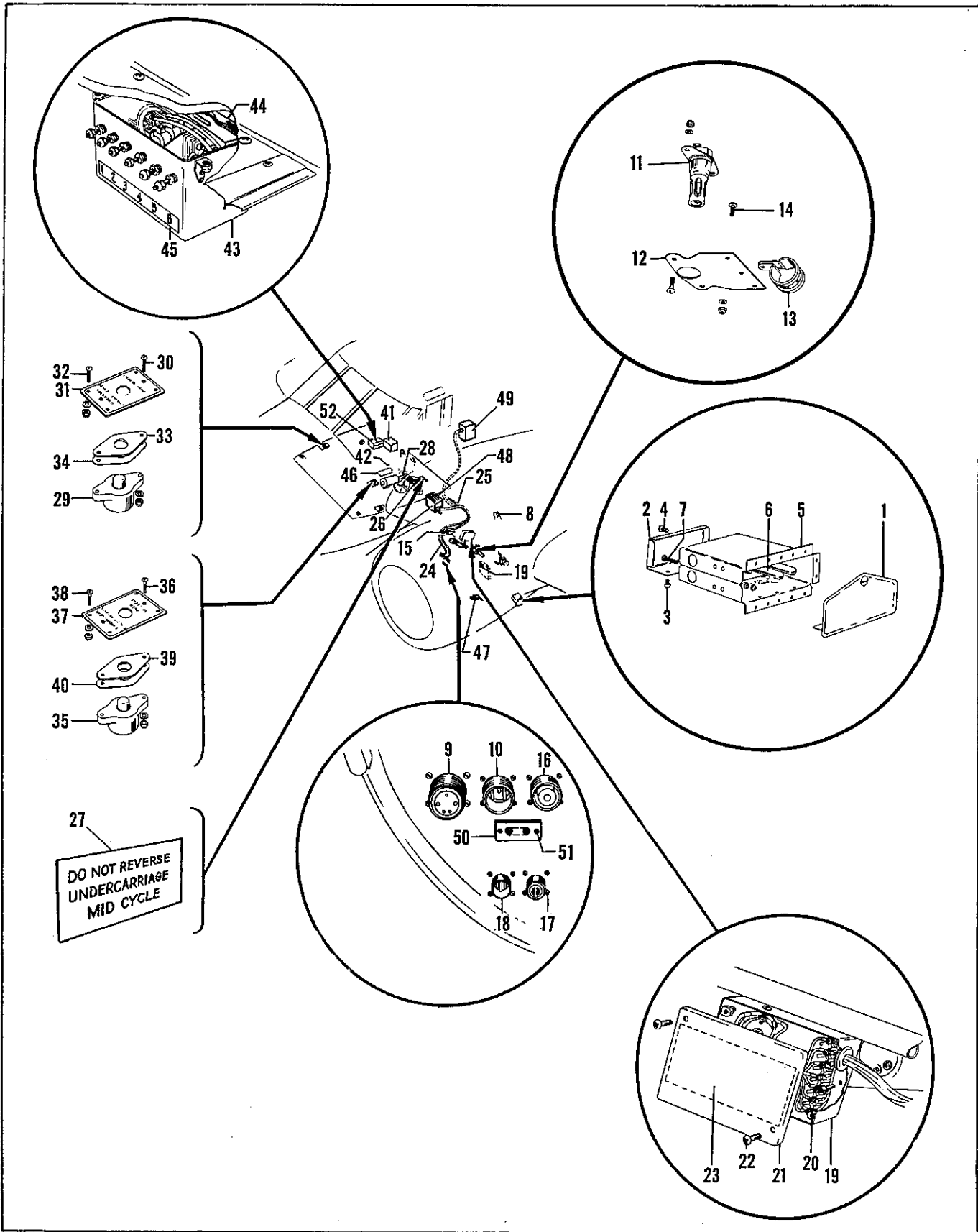


Figure 86. Center Section Electrical Equipment Installation

FIGURE and INDEX NUMBER	GROUP FURNISHINGS		Units Per Ass'y	Usage on Code
	CENTRE SECTION ELECTRICAL EQUIPMENT INSTALLATION			
	PART NUMBER	1 2 3 4 5 6 7 NOMENCLATURE		
86 -	644-180590	Equipment Installation - Center section electrical (See Figure 1)	Ref	ABC
	5MBA13564	Equipment Installation - Center section electrical (See Figure 1)	Ref	D
- 1	180960	Box Installation - External power source	1	ALL
	15290	Door Assembly - Spring loaded external power source receptacle	1	ALL
- 2	180968	Lid - External power source receptacle box	1	ALL
	Attaching Parts:			
- 3	AN515-8-6	Screw - Round head No. 8-32 x 3/8 in.	2	ALL
- 4	AN515-8-7	Screw - Round head No. 8-32 x 7/16 in.	1	ALL
- 5	180961	Box Assembly - External power	1	ALL
- 6	42B3748*	Receptacle - External power	1	ALL
	AN2552-A3*	Receptacle - External power	1	ALL
	Attaching Parts:			
- 7	AN3-7A	Bolt - Aircraft No. 10-32 x 7/8 in.	2	ALL
	AN960-10	Washer - Plain No. 10	2	ALL
	AN365-1032	Nut - Self locking No. 10-32	2	ALL
	AN931-10-14	Grommet	1	ALL
	AN931-9-11	Grommet	1	ALL
- 8	26F558G3	Capacitor - (GE)	1	ABC
	Attaching Parts:			
	AN515-8-7	Screw - Round head No. 8-32 x 7/16 in.	4	ABC
	AN960-8	Washer - Plain No. 8	4	ABC
	AN365-832	Nut - Self locking No. 8-32	4	ABC
- 9	AN3100-28-5S	Receptacle - Generator plug	2	ALL
	Attaching Parts:			
	AN515-4-6	Screw - Round head No. 4-40 x 3/8 in.	8	ALL
	AN960-4	Washer - Plain No. 4	8	ALL
	AN365-440	Nut - Self locking No. 4-40	8	ALL
- 10	AN3100-18-22P	Receptacle - Magneto plug	2	ALL
	Attaching Parts:			
	AN515-4-6	Screw - Round head No. 4-40 x 3/8 in.	8	ALL
	AN960-4	Washer - Plain No. 4	8	ALL
	AN365-440	Nut - Self locking No. 4-40	8	ALL
- 11	35534-3	Detector - Fire (EDI)	11	ALL
	Attaching Parts:			
	AN515C8-5	Screw - Round head No. 8-32 x 5/16 in.	22	ALL
	AN365C832	Nut - Self locking No. 8-32	22	ALL
	*These parts are interchangeable			

FIGURE and INDEX NUMBER	GROUP	FURNISHINGS							Units Per Ass'y	Usage on Code		
		MAJOR ASSEMBLY CENTER SECTION ELECTRICAL EQUIPMENT INSTALLATION Cont'd										
		PART NUMBER	1	2	3	4	5	6			7	NOMENCLATURE
86 - 12	21271								Bracket - Detector fire (EDI)	3	ALL	
- 13	AN742-21C								Clamp	16	ALL	
		Attaching Parts										
- 14	AN520C10-8								Screw - Round head No. 10-32 x 1/2 in.	16	ALL	
	AN363C1032								Nut - Self locking No. 10-32	16	ALL	
	644-180550								Equipment Installation - Nacelle electrical LH	1	ABC	
	644-180550-1								Equipment Installation - Nacelle electrical RH	1	ABC	
- 15	No Number								Starter Relay (Type B-8A)(Spec 32424)	1	ABC	
- 16	AN3100-18-6S								Receptacle - Starter cable	1	ABC	
	AN3057-10								Adapter	1	ABC	
- 17	AN3100-12S-3S								Receptacle - Carburettor air temperature	1	ALL	
	AN3057-4								Adapter - Carburettor air temperature	1	ALL	
- 18	AN3100-14S-1P								Receptacle - Tachometer	1	ALL	
	AN3057-4								Adapter - Tachometer receptacle	1	ALL	
	644-180510								Box Installation - Nacelle junction LH	1	ABC	
	644-180510-1								Box Installation - Nacelle junction RH	1	ABC	
	644-180520								Box Assembly - Nacelle junction LH	1	ABC	
	644-180520-1								Box Assembly - Nacelle junction RH	1	ABC	
	4MBA13043								Box Assembly - Starter solenoid LH (See Figure 90)	1	D	
	4MBA13042								Box Assembly - Starter solenoid RH (See Figure 90)	1	D	
- 19	644-180522								Box - Nacelle junction LH	1	ABC	
	644-180522-1								Box - Nacelle junction RH	1	ABC	
- 20	NAS45-6-7								Panel Assembly - Nacelle junction	1	ABC	
		Attaching Parts										
	AN515-4-6								Screw - Round head No. 4-40 x 3/8 in.	4	ABC	
	AN960-4								Washer - Plain No. 4	4	ABC	
	AN365-440								Nut - Self locking No. 4-40	4	ABC	
- 21	404-180523								Lid - Nacelle junction LH	1	ABC	
	404-180523-1								Lid - Nacelle junction box RH	1	ABC	
		Attaching Parts										
- 22	AN515-8-7								Screw - Round head No. 8-32 x 7/16 in.	8	ABC	
- 23	644-180046								Placard - Nacelle junction box LH	1	ABC	
	644-180046								Placard - Nacelle junction box RH	1	ABC	
- 24	416184-603								Harness Assembly (Firewall to control box) LH	1	ABC	
	416184-604								Harness Assembly (Firewall to control box) RH	1	ABC	
	3MBA-10048								Harness Assembly (Firewall to control box) LH	1	D	
	3MBA-10047								Harness Assembly (Firewall to control box) RH	1	D	



FIGURE and INDEX NUMBER	GROUP FURNISHINGS							Units Per Ass'y	Usage on Code			
	MAJOR ASSEMBLY		CENTER SECTION ELECTRICAL EQUIPMENT INSTALLATION Cont'd.									
	PART NUMBER	1	2	3	4	5	6			7	NOMENCLATURE	
86 - 25	NAS52-6AC -1234**								Conduit Assembly - Center section ignition LH	1	ABC	
	NAS52-6AC -1274***								Conduit Assembly - Center section ignition LH	1	ABC	
	3MBA10030								Conduit Assembly - Center section ignition LH	1	D	
	NAS52-6AC -1100**								Conduit Assembly - Center section ignition RH	1	ABC	
	NAS52-6AC -1070***								Conduit Assembly - Center section ignition RH	1	ABC	
	3MBA10029								Conduit Assembly - Center section ignition RH	1	D	
	644-189410								Battery Installation - LH (see Figure 87)	1	ALL	
	644-189410-1								Battery Installation - RH (see Figure 87)	1	ALL	
- 26	6046H39A								Relay - Landing gear dynamic brake	1	ALL	
	Attaching Parts											
	AN3-12A								Bolt - Aircraft No. 10-32 x 1-1/4 in.	4	ALL	
	AN960-10								Washer - Plain No. 10	4	ALL	
	AN970-3								Washer - Plain No. 3	4	ALL	
	AN365-1032								Nut - Self locking No. 10-32	4	ALL	
- 27	No Number								Placard	1	ALL	
- 28	AN3108-10S-2S								Plug - Anti-icer motor	1	ABC	
	AN3057-3								Adapter - Anti-icer motor plug	1	ABC	
	AN3108-12S-4S								Plug - Anti-icer motor	1	D	
	AN3057-4								Adapter - Anti-icer motor plug	2	D	
- 29	PLM-100								Breaker - Generator circuit (SPT)	2	ABC	
	Attaching Parts											
- 30	AN526-10-16								Screw - Round head No. 10-32 x 1 in.	4	ABC	
	AN960-10								Washer - Plain No. 10	4	ABC	
	AN365-1032								Nut - Self locking No. 10-32	4	ABC	
- 31	404-180167								Placard - Generator circuit breaker mounting	2	ABC	
	Attaching Parts											
- 32	AN526-10-16								Screw - Truss head No. 10-32 x 1 in.	8	ABC	
	AN960-10								Washer - Plain No. 10	8	ABC	
	AN365-1032								Nut - Self locking No. 10-32	8	ABC	
- 33	804-188534								Pad	1	ABC	
- 34	804-188535								Insulator	1	ABC	
- 35	PLM-50								Breaker - Landing gear motor circuit (SPT)	1	ALL	
	Attaching Parts											
- 36	AN526-10-16								Screw - Truss head No. 10-32 x 1 in.	2	ALL	
	AN960-10								Washer - Plain No. 10	2	ALL	
	AN365-1032								Nut - Self locking No. 10-32	2	ALL	
									** These parts are interchangeable			
									*** These parts are interchangeable			

FIGURE and INDEX NUMBER	GROUP	FURNISHINGS							Units Per Ass'y	Usage on Code	
		MAJOR ASSEMBLY CENTER SECTION ELECTRICAL EQUIPMENT INSTALLATION Cont'd.									
		PART NUMBER	1	2	3	4	5	6			7
86 - 37	804-188571								Bracket - Landing gear circuit breaker mounting	1	ALL
		Attaching Parts									
- 38	AN526-8-16								Screw - Truss head No. 8-32 x 1 in.	4	ALL
	AN960-8								Washer - Plain No. 8	4	ALL
	AN365-832								Nut - Self locking No. 8-32	4	ALL
- 39	804-188534								Pad	1	ALL
- 40	804-188535								Insulator	1	ALL
- 41	WZ-R31								Switch - Flap limit (MCS)	2	ABC
	AN3210-1								Switch - Flap limit	2	D
	MC2711								Actuator - (MCS)	2	ABC
	MC2711-M2								Actuator - (MCS)	2	D
	22500								Cover - Terminal (PMB)	2	ALL
	4300								Cover - Terminal (PMB)	2	ALL
	804-182526								Box - Flap limit switch	1	ALL
		Attaching Parts									
	AN526-6-20								Screw - Truss head No. 6-32 x 1-1/4 in.	4	ALL
	AN960-6								Washer - Plain No. 6	4	ALL
- 42	AN3436-5-6								Strip - Terminal	1	ALL
	22500								Cover - Terminal strip (PMR)	1	ALL
	814-180592								Box Assembly - Flap dynamic brake contactor	1	ALL
	814-180592-603								Box Assembly - Flap dynamic brake contactor (use for spare part - consists of box, contactor and flap brake placard)	Ref	ALL
		Attaching Parts									
	AN526-832-18								Screw - Truss head No. 8-32 x 1-1/8 in.	2	ALL
	100951-063-006 -024								Spacer	2	ALL
- 43	404-180593								Box Assembly - Flap dynamic brake contactor	1	ALL
	AN931-8-13								Grommet	1	ALL
- 44	No Number								Contactor - Flap dynamic brake 5CB/605 (Spec. 20023) (PLB)	1	ALL
- 45	AN3436-2-6								Terminal Strip	1	ALL
	397-20								Rubber Cover	1	ALL
	51280-2								Retaining Strip Cover	1	ALL
	30-50470-50								Nut	2	ALL
- 46	814-180597								Plate - Main distribution post cover	1	ALL
- 47	6800-A*								Unit - Fuel pressure warning	2	ABC
	94-32215*								Unit - Fuel pressure warning	2	D
	AN3057-4								Adapter	2	ALL
	AN3106-12S-3S								Plug - Fuel pressure warning	2	ALL
- 48	404-180577								Box Installation - Generator control (see Figure 88) LH	1	ABC
	404-180577-1								Box Installation - Generator control (see Figure 88) RH	1	ABC

FIGURE and INDEX	GROUP FURNISHINGS							Units Per Ass'y	Usage on Code	
	MAJOR ASSEMBLY CENTER SECTION ELECTRICAL EQUIPMENT INSTALLATION Cont'd.									
	NUMBER	PART NUMBER	1	2	3	4	5 6 7			NOMENCLATURE
86 - 49	3MBA6626							Box Installation - Generator control (see Figure 90) LH - RH	1	D
- 50	8T113							Block - Firewall	2	ALL
								Attaching Parts	2	ALL
- 51	AN515-6-10							Screw - Round head No. 6-32 x 5/8 in.	4	ALL
	AN960-6							Washer - Plain No. 6	4	ALL
	AN365-632							Nut - Self locking No. 6-32	4	ALL
- 52	22531							Installation Warning Lights - Generator failure	1	ALL
	5CB							Relay - (Leach)	2	ALL
								* These parts are interchangeable		

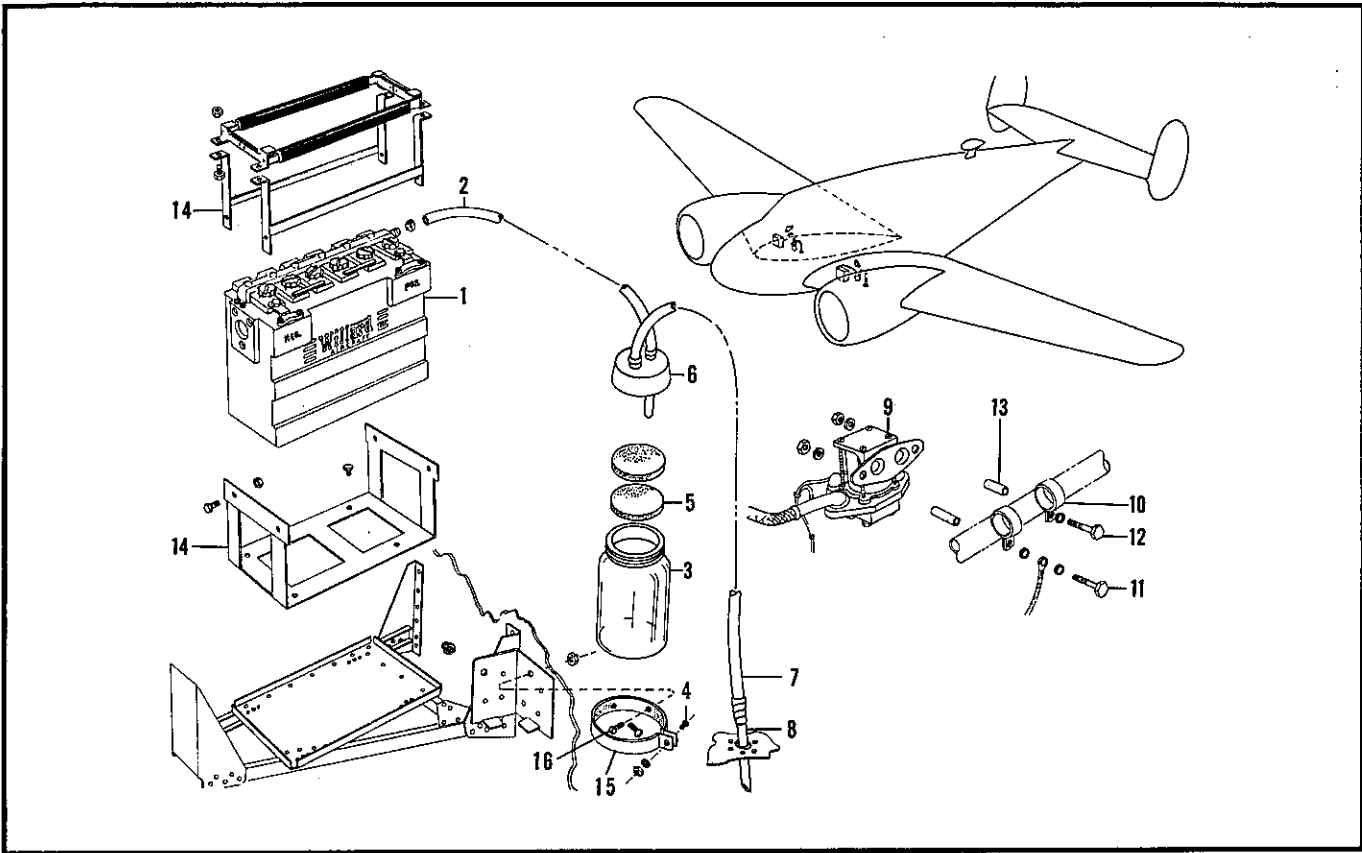


Figure 87. Battery Installation

FIGURE and INDEX NUMBER	GROUP FURNISHINGS							Units Per Ass'y	Usage on Code		
	MAJOR ASSEMBLY BATTERY INSTALLATION										
	PART NUMBER	1	2	3	4	5	6			7	NOMENCLATURE
87 -	644-189410								Battery Installation -LH (See Figure 86)	Ref	ALL
	644-189410-1								Battery Installation - RH (See Figure 86)	Ref	ALL
- 1*	<del>AR 12-36</del>								<del>Battery - 12 Volt (WSB)</del>	1	ALL
- 2	106043C-08-06 -150								Tubing	1	ALL
									ATTACHING PARTS		
	A3122-8-59								Clamp - Battery	1	ALL
	AN931-6-10								Grommet Elastic - Jar	1	ALL
	EC612								Caulking Compound (MIM)	AR	ALL
- 3	No. Number								Jar-Battery Sump	1	ALL
									ATTACHING PARTS		
- 4	AN515-8-12								Screw-Round Head No. 8-32 x 3/4"	1	ALL
	AN960-8								Washer-Plain No. 8	1	ALL
	AN365-832								Nut-Self Locking No. 8-32	1	ALL
- 5	804-189409								Felt Battery Jar	2	ALL
- 6	205902								Cover-Jar	1	ALL
- 7	106043C-12-06 -230								Tubing-Battery Vent Drain	1	ALL

\* Replace with AC-78 Battery IAW EO 05-45B-6A/242 10 OCT 07  
MD

FIGURE and INDEX NUMBER	GROUP FURNISHINGS							Units Per Ass'y	Usage on Code	
	MAJOR ASSEMBLY BATTERY INSTALLATIONS Cont'd									
	PART NUMBER	1	2	3	4	5	6 7			NOMENCLATURE
87 - 8	No Number							Tube - Battery Drain	1	ALL
								ATTACHING PARTS		
	AN931-8-13							Grommet - Jar	1	ALL
	EC612							Caulking Compound	AR	ALL
	No Number							Electricians Rubber Tape	AR	ALL
- 9	No Number							Relay - SPST USAF Type	1	ALL
								ATTACHING PARTS		
- 10	AN741-12D							Clamp	2	ALL
- 11	105982-4A-21									
	-110							Bolt - Relay Mounting	1	ALL
- 12	105982-4A-20									
	-116							Bolt - Relay Mounting	1	ALL
	AN315-4A							Nut - Aircraft 1/4 - 28	2	ALL
	AN960-416							Washer - Plain 1/4"	6	ALL
	AN365-428							Nut - Self Locking 1/4 - 28	2	ALL
- 13	100696-x13-09									
	-016							Spacer	2	ALL
- 14	AF 2550							Cradle - Battery (WSB)	1	ALL
								ATTACHING PARTS		
	No Number							Carriage Bolt (1/4-20 1" Long)	4	ALL
	No Number							Hex Nut - Semi Finished (1/4x20)	4	ALL
	No Number							Screw Round Head (1/4 x 20- 1" Long)	8	ALL
	No Number							Hex Nut - Semi Finished (1/4x20)	8	ALL
- 15	104662							Clamp (See Figure 7)	Ref	ALL
								ATTACHING PARTS (See Figure 7)		
- 16	AN526-6-8							Screw (See Figure 7)	Ref	ALL
	AN365-632							Nut (See Figure 7)	Ref	ALL

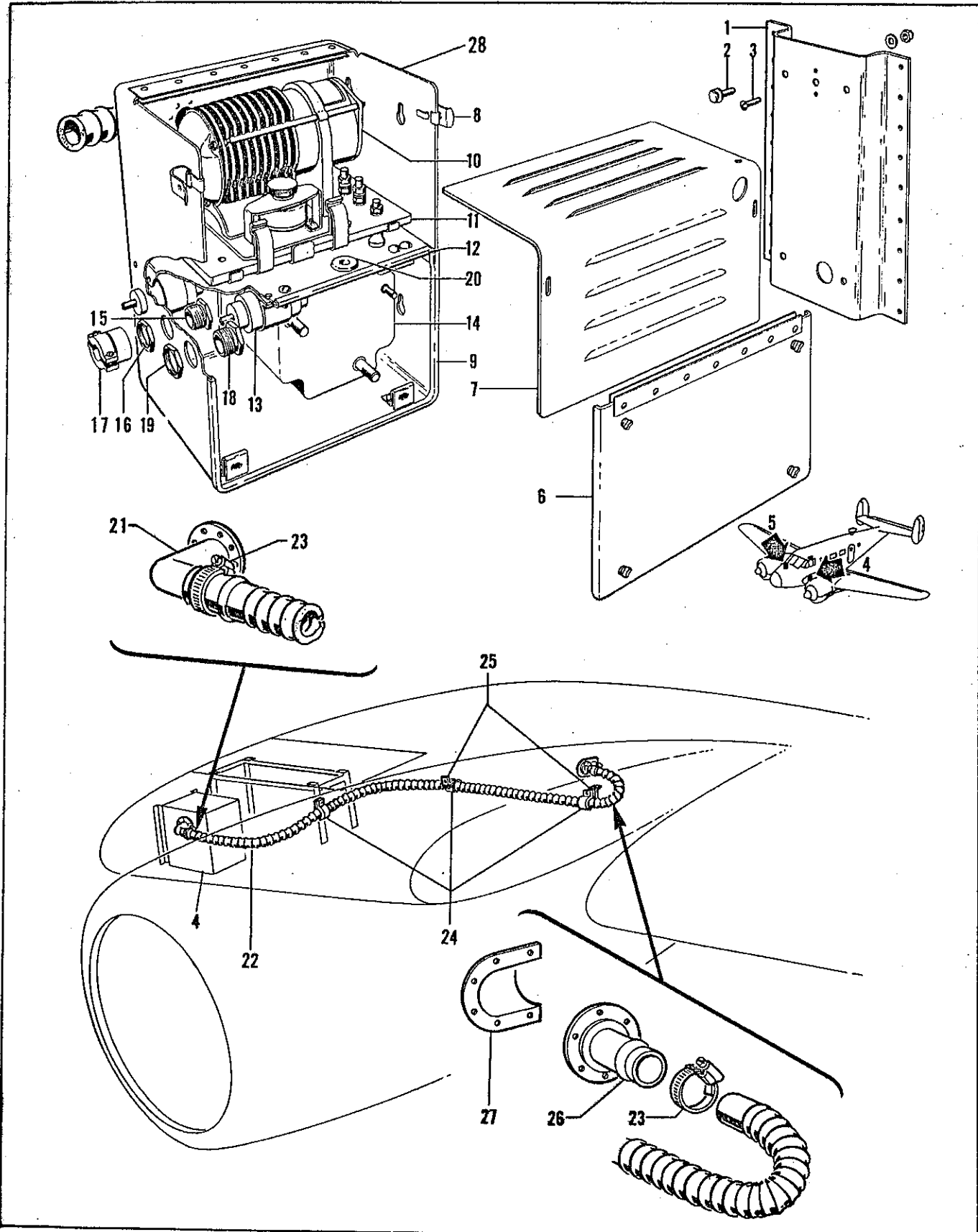


Figure 88 (Issue 1) Generator Control Box Installation

FIGURE and INDEX NUMBER	GROUP FURNISHINGS							Units Per Ass'y	Usage on Code	
	MAJOR ASSEMBLY GENERATOR CONTROL BOX INSTALLATION									
	PART NUMBER	1	2	3	4	5	6 7			NOMENCLATURE
88 -	404-180577							Box Installation - Generator control L.H. ( See Figure 86)	Ref	ABC
	404-180577-1							Box Installation - Generator control R.H. ( See Figure 86)	Ref	ABC
- 1	404-180587							Bracket Assembly - Control Box Mounting L.H.	1	ABC
	404-180587-1							Bracket Assembly - Control Box Mounting R.H.	1	ABC
								ATTACHING PARTS		
- 2	404-180588							Stud - Generator Mounting	4	ABC
	AN960-10							Washer - Plain No. 10	4	ABC
	AN365-1032							Nut - Self Locking No. 10-32	4	ABC
- 3	AN526-10-9							Screw - Truss head No. 10-32 x 9/16 in.	1	ABC
- 4	404-180578							Equipment Assembly - Generator Box L.H. OR	1	ABC
	404-180578-600							Equipment Assembly - Generator Control Box LH (Use for spare part)		ABC
- 5	404-180578-1							Equipment Assembly - Generator Box OR	1	ABC
	404-180578-601							Equipment Assembly - Generator Control Box RH (Use for spare part)		ABC
- 6	404-180580							Cover Assembly - Generator control Box lower LH - RH	1	ABC
- 7	404-180581							Cover Assembly - Generator control Box upper LH	1	ABC
	404-180581-1							Cover Assembly - Generator control Box upper RH	1	ABC
- 8	NAS438-1							Clip - (TIN)	2	ABC
	NAS438-2							Fastener - (TIN)	2	ABC
- 9	404-180583							Strip	1	ABC
- 10	1042-17							Regulator - Voltage control box (ECP)	1	ABC
- 11	24554							Base - Regulator mounting (AIV)	1	ABC
- 12	404-180579							Shelf Assembly - Generator Control Box	1	ABC
- 13	GE26F558G3							Condenser - Generator control box (GE)	2	ABC
								ATTACHING PARTS		
	AN526-8-8							Screw - Round head No. 8 - 32 x 1/2 in.	4	ABC
	AN960-8							Washer - Plain No. 8	4	ABC
	AN365-832							Nut - Self locking No. 8 - 32	4	ABC
- 14	AN3025-1							Switch - Remote Control	1	ABC
								ATTACHING PARTS		
	AN526-10-9							Screw - Brazier head No. 10 - 32 x 9/16 in.	4	ABC
	AN960-10							Washer - Plain No. 10	4	ABC
	AN365-1032							Nut - Self locking No. 10 - 32	4	ABC
- 15	AN3064-6							Connector	1	ABC
- 16	AN3066-6							Nut	1	ABC
- 17	AN3057-6							Adapter	1	ABC

FIGURE and INDEX NUMBER	GROUP FURNISHINGS							Units Per Ass'y	Usage on Code		
	MAJOR ASSEMBLY GENERATOR CONTROL BOX INSTALLATION Cont'd										
	PART NUMBER	1	2	3	4	5	6			7	NOMENCLATURE
88 - 18	AN3064-8								Connector	1	ABC
- 19	AN3066-8								Nut	1	ABC
- 20	AN931-4-7								Grommet	1	ABC
- 21	2MBA13367*								Flange Assembly - Elbow	1	ABC
- 22	109645-061-1 -A*								Hose	1	ABC
									Attaching Parts		
- 23	AGS605-1*								Clamp	2	ABC
- 24	AN742D20C								Clamp	3	ABC
- 25	4MBA13427-2*								Bracket - Supt. Clamp	2	ABC
	AN526-1032-8*								Screw	5	ABC
	AN365-1032*								Nut	5	ABC
	AN960-10*								Washer	5	ABC
- 26	2MBA13428*								Flange Assembly	1	ABC
- 27	2MBA13429*								Air outlet	1	ABC
									Expeditor Modification Kit Ref. 57/449, one Kit per applicable aircraft.		
	4MBA13427-50								Kit - Ventilating Installation Generator Control Box Including all * items and necessary AN47OA4-4 and AN47CAD3-4 rivets as required in EO 04-45B-6A/ 41 for both LH and RH installations.		
28	404-180578-2								Box - Generator Control LH	1	ABC
	404-180578-3								Box - Generator Control RH	1	ABC



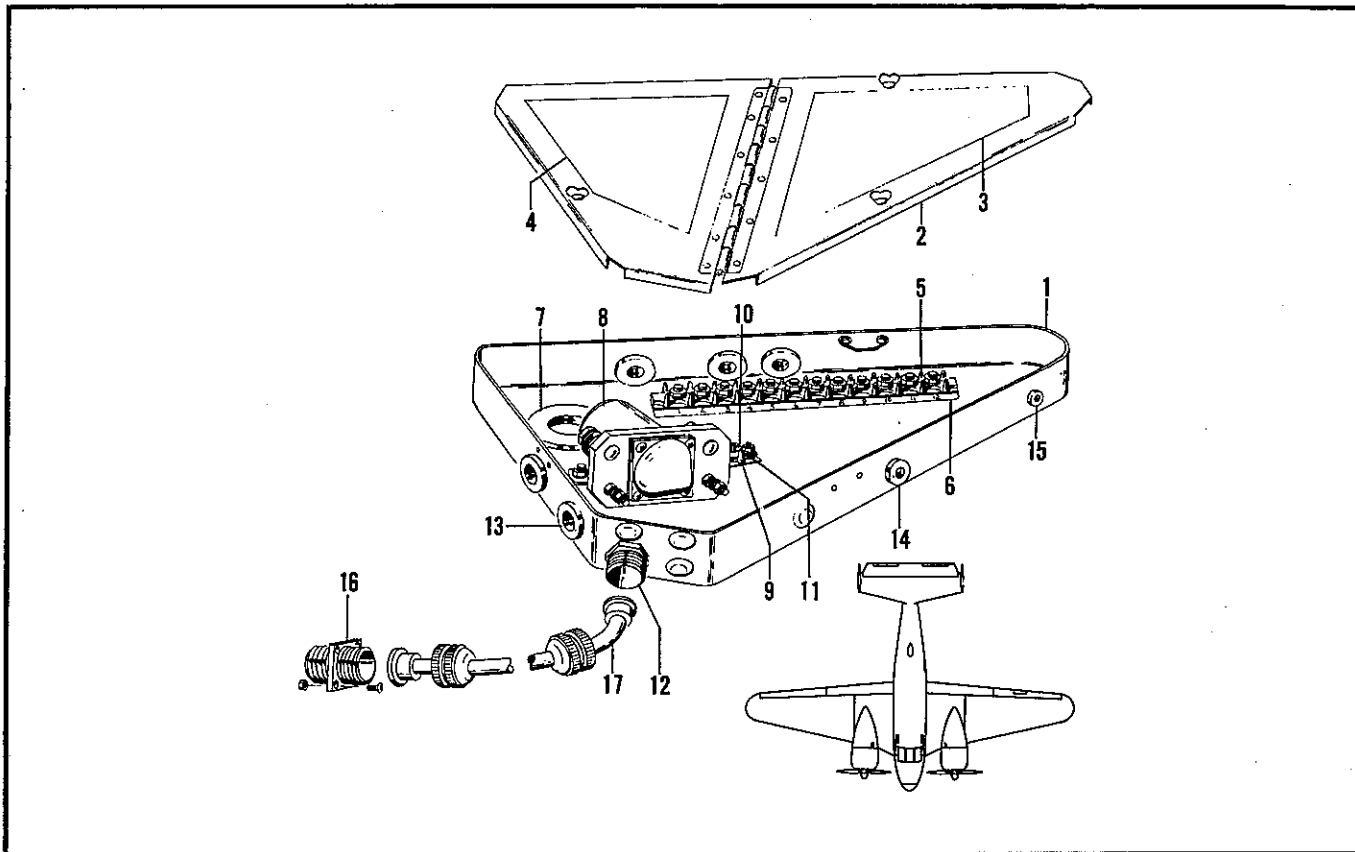


Figure 89. Center Section Electrical Equipment Installation

FIGURE and INDEX	GROUP FURNISHINGS							Units Per Ass'y	Usage on Code		
	MAJOR ASSEMBLY CENTER SECTION ELECTRICAL EQUIPMENT INSTALLATION										
	PART NUMBER	1	2	3	4	5	6			7	NOMENCLATURE
89 -	4MBA13043	Box	Assembly	-	Starter solenoid LH					Ref	D
	4MBA13042	Box	Assembly	-	Starter solenoid RH					Ref	D
- 1	4MBA13041	Box	Starter solenoid LH		(Make from Beech P/N 644-180520)					1	D
	4MBA13040	Box	Starter solenoid RH		(Make from Beech P/N 644-180520-1)					1	D
- 2	3MBA6938	Cover	Starter solenoid junction box LH							1	D
	3MBA6938-1	Cover	Starter solenoid junction box RH							1	D
	3MBA6938-2	Cover	Assembly	-	(Make from Beech P/N 814-180746 LH and 814-180746 RH)					1	D
- 3	2MBA6573-2	Placard	-	Wiring diagram LH						1	D
	2MBA6572-2	Placard	-	Wiring diagram RH						1	D
- 4	2MBA6573-3	Placard	-	Wiring diagram LH						1	D
	2MBA6572-3	Placard	-	Wiring diagram RH						1	D
- 5	104250-A-12	Strip	-	Terminal						1	D
	-11										

FIGURE and INDEX NUMBER	GROUP FURNISHINGS							Units Per Ass'y	Usage on Code	
	MAJOR ASSEMBLY CENTER SECTION ELECTRICAL EQUIPMENT INSTALLATION Cont'd.									
	PART NUMBER	1	2	3	4	5	6 7			NOMENCLATURE
89	Attaching Parts									
	AN515-4-7							Screw - Round head No. 4-40 x 7/16 in.	2	D
	AN960-4							Washer - Plain No. 4	2	D
	AN365-440							Nut - Self locking 4-40	2	D
- 6	2MBA6057-1							Placard - Identification	1	D
- 7	AN931-16-22							Grommet	1	D
- 8	R8A							Relay - SPST starter USAF type	1	D
	Attaching Parts									
	AN4-5A							Bolt - Aircraft No. 1/4-28 x 5/8 in.	2	D
	AN960-4							Washer - Plain No. 4	2	D
	AN365-428							Nut - Self locking No. 1/4-28	2	D
- 9	104253-C1-142							Strip Assembly - Terminal	1	D
	Attaching Parts									
	AN505-4-5							Screw - Flat head No. 4-40 x 3/8 in.	1	D
	AN340-4							Nut - Light hexagon No. 4-40	1	D
	AN505-8-18							Screw - Flat head No. 8-32 x 11/16 in.	1	D
	AN936-A8							Washer - Lock tooth No. 8	1	D
	AN340-8							Nut - Light hexagon No. 8-32	1	D
	AN960-8							Washer - Plain No. 8	1	D
	AN365-832							Nut - Self locking No. 8-32	1	D
- 10	2MBA6051-2							Placard - Identification	1	D
- 11	2MBA6941-52							Bus Bar	1	D
- 12	AN3064-8							Connection	1	D
	AN3066-8							Nut	1	D
- 13	AN931-7-11							Grommet	1	D
	51067							Plug - Button	1	D
	48164							Plug - Button	1	D
- 14	AN931-6-10							Grommet	1	D
- 15	AN931-3-5							Grommet	1	D
	3MBA10082							Cable - Harness firewall to junction box LH	1	D
	3MBA10082-1							Cable - Harness firewall to junction box RH	1	D
- 16	AN3100-18-6S							Receptacle	1	D
	Attaching Parts									
	AN515-4-40-8							Screw - Round head No. 4-40 x 1/2 in.	4	D
	AN365-4-40							Nut - Self locking No. 4-40	4	D
- 17	309613-8AD -0125							Conduit Assembly - Wire	1	D

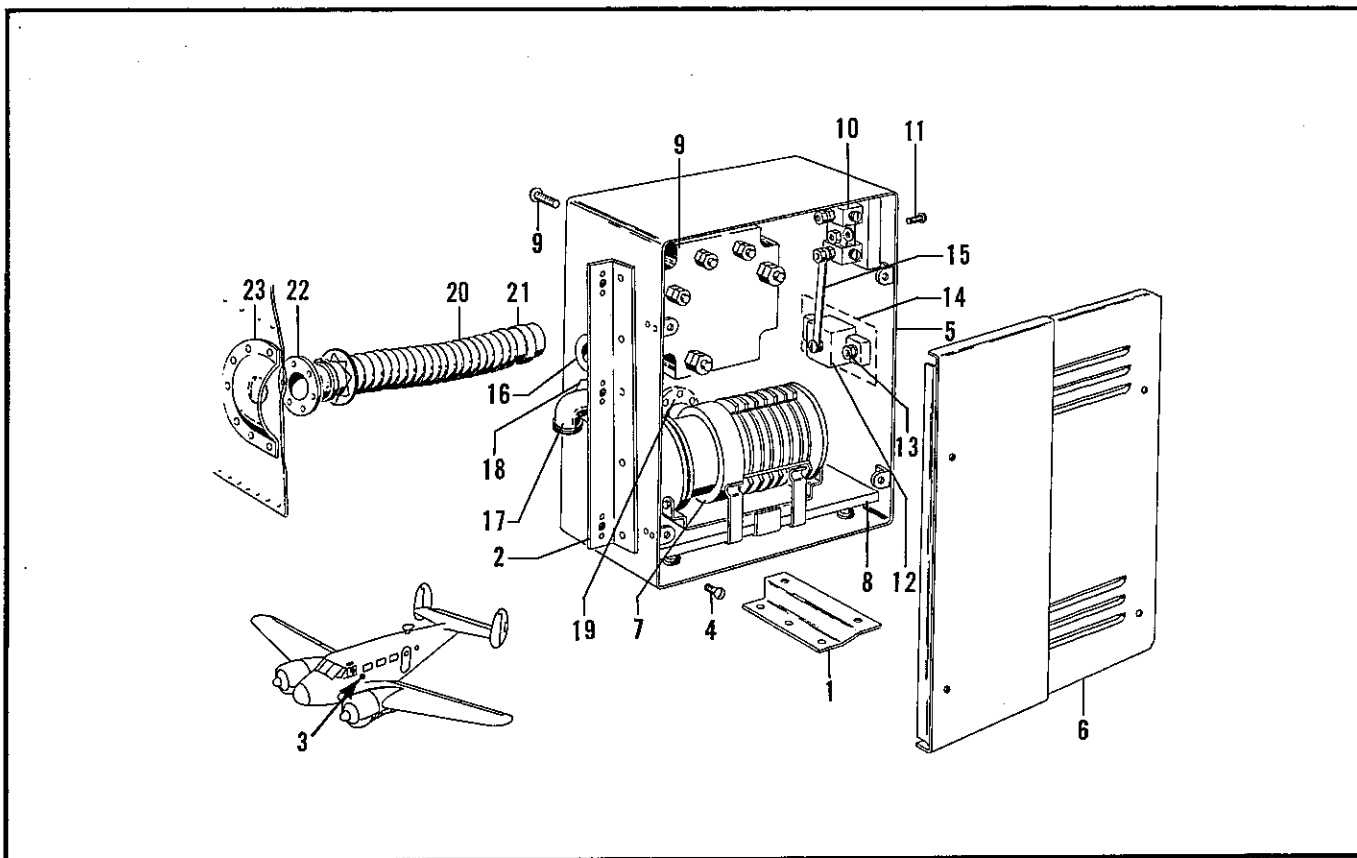
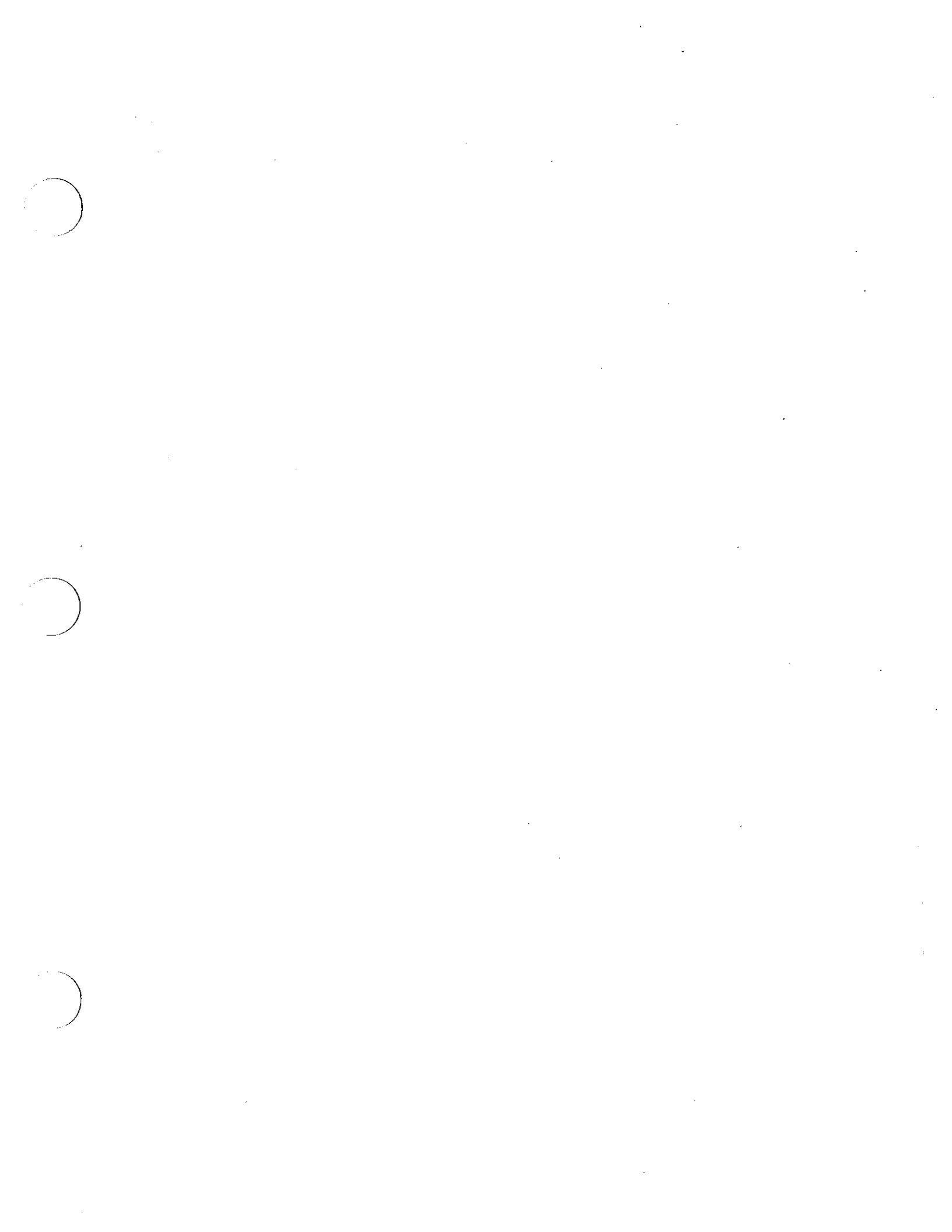


Figure 90. Generator Control Box Installation

FIGURE and INDEX NUMBER	GROUP FURNISHINGS							Units Per Ass'y	Usage on Code		
	MAJOR ASSEMBLY GENERATOR CONTROL BOX INSTALLATION										
	PART NUMBER	1	2	3	4	5	6			7	NOMENCLATURE
90 -	3MBA6626								Box Installation - Generator control LH-RH (See Figure 86)	REF	D
- 1	1MBA6624								Support - Generator control box lower LH	1	D
	1MBA6624-1								Support - Generator control box lower RH	1	D
- 2	2MBA6625								Support Assembly - Generator control box LH	1	D
	2MBA6625-1								Support Assembly - Generator control box RH	1	D
- 3	4MBA6634								Box Assembly - Generator control box LH	1	D
	4MBA6634-1								Box Assembly - Generator control box RH	1	D
	4MBA6634-50								OR Box Assembly - Generator control box LH (use for spare part - Consists of box, box cover and electrical equipment plus box supports and set of electrical cables)	1	D
	4MBA6634-51								OR Box Assembly - Generator control box RH (use for spare part-consists of box, box cover and electrical equipment plus box supports and set of electrical cables)	1	D
- 4	AN526-832-8								Attaching Parts Screw - Truss head No. 8-32 x 1/2 in.	6	D

FIGURE and INDEX NUMBER	GROUP FURNISHINGS							Units Per Ass'y	Usage on Code		
	MAJOR ASSEMBLY		GENERATOR CONTROL BOX INSTALLATION Cont'd.								
	PART NUMBER	1	2	3	4	5	6			7	NOMENCLATURE
90 - 5	5MBA6670								Box - Generator control LH (Make from 900-180552 box)	1	D
	5MBA6670-1								Box - Generator control RH (Make from 900-180552-1 box)	1	D
- 6	5MBA6670-2								Cover Assembly - Generator control box LH (Make from 804-180560 Cover)	1	D
	5MBA6670-3								Cover Assembly - Generator control box RH (Make from 804-180560 Cover)	1	D
	99808								Stud Fastener - (UCF)	4	D
- 7	1042-17-A								Regulator - Voltage (ECP)	1	D
- 8	24554								Base - Regulator (LEN)	1	D
- 9	AN3025-1								Relay - Reverse current cutout	1	D
	Attaching Parts										
	AN526-1032-6								Screw - Truss head No. 10-32 x 3/8 in.	4	D
	AN960-D10L								Washer - Plain No. 10	4	D
	AN365-1032								Nut - Self locking No. 10-32	4	D
- 10	258X9								Shunt - Ammeter (GE)	1	D
	Attaching Parts										
- 11	AN526-632-10								Screw - Truss head No. 6-32 x 1 in.	2	D
	AN960-D6L								Washer - Plain No. 6	2	D
	AN365-632								Nut - Self locking No. 6-32	2	D
- 12	PLM-50								Breaker - Generator circuit (SPT)	1	D
	Attaching Parts										
- 13	AN526-428-16								Screw - Truss head No. 1/4-28 x 1-3/8 in.	2	D
	AN960A416								Washer - Plain No. 1/4	2	D
	AN365-428								Nut - Self locking No. 1/4-28	2	D
- 14	404-180039								Placard - Generator circuit breaker	1	D
- 15	804-180533								Link - Connector	1	D
- 16	AN931-10-14								Grommet	1	D
- 17	AN3062-8								Coupling - Right angle conduit	1	D
- 18	AN3066-8								Nut - Coupling	1	D
	4MBA13299								Ventilating Installation - Generator control box LH - RH (see Figure 86)	Ref	D
- 19	2MBA13367								Flange Assembly - Generator control box	1	D
- 20	109645-014-1-A								Hose	1	D
- 21	AGS605-1								Clamp	2	D
- 22	2MBA13298								Flange Assembly - Generator control box	1	D
	4MBA13299								Patch - Upholstery reinforcement	1	D
- 23	2MBA13365								Scoop - Air vent	2	D



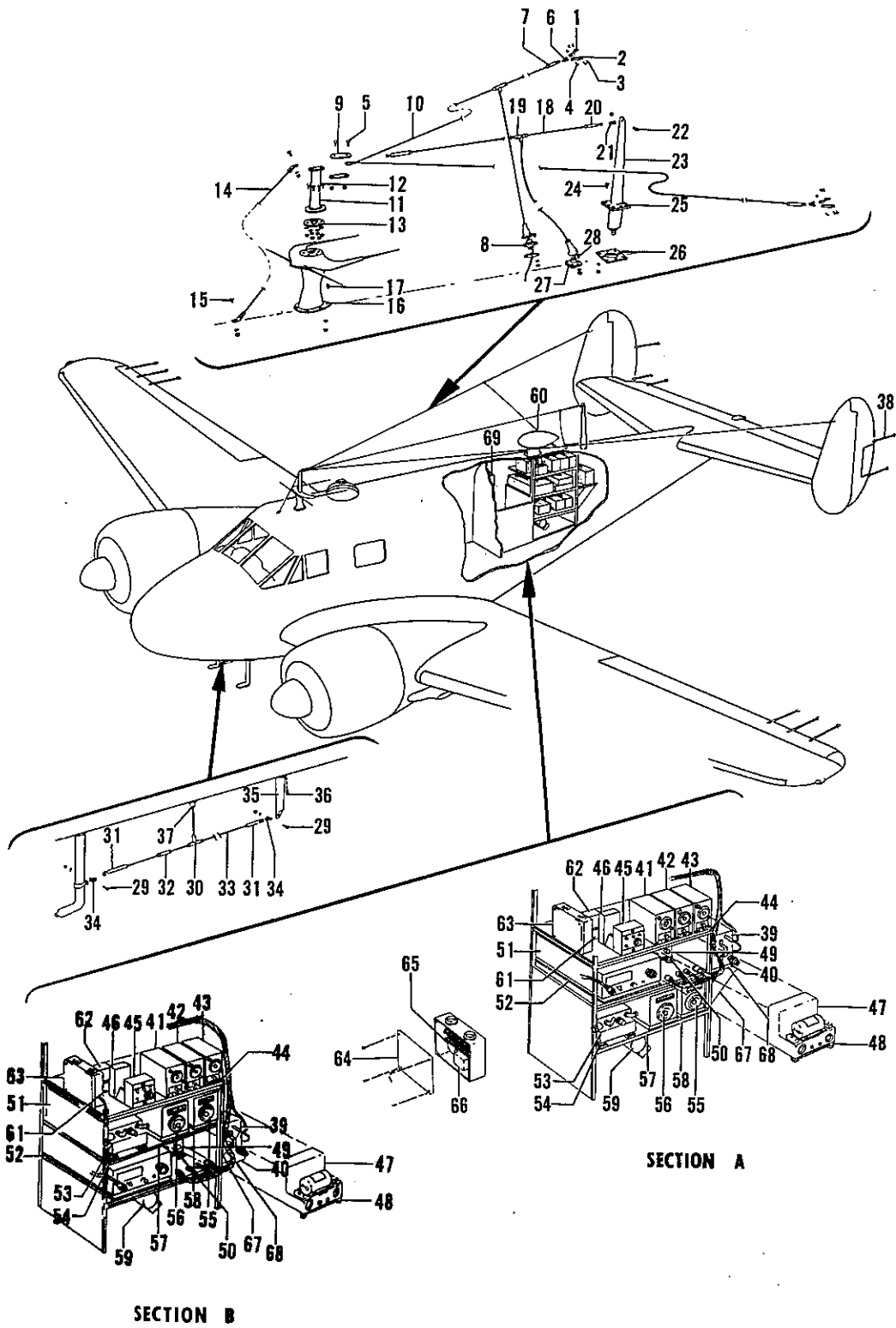


Figure 91. Radio Equipment Installation

Figure and Index Number	Group FURNISHINGS							Units per Assy	Usage on Code	
	Major Assembly RADIO EQUIPMENT INSTALLATION									
	Part	1	2	3	4	5	6			7
91 -	644-180670	Equipment Installation - Radio (See Figure 1)							Ref	AB
	644-180663	Equipment Installation - Radio (See Figure 1)							Ref	C
	5MBA6766	Equipment Installation - Radio (See Figure 1)							Ref	D
	644-180671	Equipment Installation - Antenna							1	ALL
- 1	180451-1	Bracket - Antenna mounting							1	ALL
- 2	180451-2	Bracket - Antenna mounting							1	ALL
	Attaching Parts									
- 3	AN515-8-8	Screw - Round head No. 8-32 x 1/2 in.							4	ALL
	644-180671-8	Antenna Assembly - MHF transmitting							1	ALL
	Attaching Parts									
- 4	AN23-8A	Bolt - Clevis No. 10-32 x 17/32 in.							2	ALL
	AN364-1032	Nut - Self locking No. 10-32							4	ALL
- 5	AN23-13A	Bolt - Clevis No. 10-32 x 27/32 in.							2	ALL
	AN960-10	Washer - Plain No. 10							2	ALL
- 6	AN115-16	Shackle							2	ALL
- 7	TU1-100*	Unit - Tension							2	ALL
	TU1-100*	Unit - Tension							2	ALL
	TS-100*	Tee Splice							2	ALL
	SI-100*	Tee Splice							2	ALL
- 8	LI-100	Insulator							1	ALL
	824-180451	Gasket							1	ALL
- 9	644-180686	Clamp							2	ALL
	Attaching Parts									
	AN23-13A	Bolt - Clevis No. 10-32 x 27/32 in.							2	ALL
	AN960-10	Washer - Plain No. 10							2	ALL
	AN364-1032	Nut - Self locking No. 10-32							2	ALL
	102809-250-013	Pin							1	ALL
- 10	WS5B/U	Wire - Antenna							1	ALL
- 11	901-180805	Mast Assembly (Refer to EO 05-45B-5A/48)							1	ALL
	OR									
	3MBA6943	Mast Assembly (Refer to EO 05-45B-5A/48)							1	ALL
	Attaching Parts									
- 12	AN505-8-28	Screw - Fillister head No. 8-32 x 1-3/4 in.							6	ALL
	AN960-8L	Washer - Plain No. 8							6	ALL
	AN364-832	Nut - Self locking No. 8-32							6	ALL
- 13	901-180806	Gasket - Mast mounting (Refer to EO 05-45B-5A/48)							1	ABC
	1MBA6944	Plate - Adapter (Refer to EO 05-45B-5A/48)							1	D
- 14	111513-024003	Cable Assembly - Antenna support (Refer to EO 05-45B-5A/48)							1	ABC
	2MBA6313**	Cable Assembly - Antenna support (Refer to EO 05-45B-5A/48)							1	D
	Attaching Parts									
- 15	AN515-8-8	Screw - Round head No. 8-32 x 1/2 in.							2	ABC
	AN23-9	Bolt - Clevis No. 10-32 x 19/32 in.							2	D
	AN960-8	Washer - Plain No. 8							2	ABC
	AN960-10	Washer - Plain No. 10							2	D

FIGURE and INDEX NUMBER	GROUP FURNISHINGS							Units Per Ass'y	Usage on Code		
	MAJOR ASSEMBLY RADIO EQUIPMENT INSTALLATION Cont'd										
	PART NUMBER	1	2	3	4	5	6 7			NOMENCLATURE	
91 -	AN365-832							Nut - Self locking No. 8-32	2	ABC	
	AN365-1032							Nut - Self locking No. 10-32	2	D	
	180806P							Anchor - Antenna brace	1	ALL	
	804-180459							Seal	1	ALL	
	Attaching Parts										
	AN526-832-9							Screw - Truss head No. 8-32 x 8/16 in.	2	ALL	
	AN960-8							Washer - Plain No. 8	2	ALL	
	AN365-832							Nut - Self locking No. 8-32	2	ALL	
- 16	AS-27A/ARN5							Mast Assembly OR	1	ALL	
	AS-27/ARN5							Mast Assembly	1	ALL	
	644-180672							Gasket	1	ALL	
	Attaching Parts										
- 17	AN526-1032-8							Screw - Truss head No. 10-32 x 1/2 in.	6	ABC	
	AN526-1032-14							Screw - Truss head No. 10-32 x 7/8 in.	6	D	
	AN960-10							Washer - Plain No. 10	6	ALL	
	AN365-1032							Nut - Self locking No. 10-32	6	ALL	
- 18	644-180671-12							Antenna Assembly - ADF sense	1	ALL	
- 19	TS-100*							Tee-Splice	1	ALL	
	SI-100*							Tee-Splice	1	ALL	
- 20	TUI-100							Unit - Tension	1	ALL	
	TU-100*							Unit - Tension	1	ALL	
	WS-5B/U							Wire Antenna	1	ALL	
- 21	AN115-21							Shackle	1	ALL	
	Attaching Parts										
- 22	AN23-14A							Bolt - Clevis No. 10-32 x 29/32 in.	1	ALL	
	AN364-1032							Nut - Self locking No. 10-32	1	ALL	
- 23	AN104-B							Mast - ADF sense antenna	1	ALL	
	Attaching Parts										
- 24	AN526-632-10							Screw - Truss head No. 6-32 x 5/8 in.	8	ALL	
	AN960-6							Washer - Plain No. 6	8	ALL	
	AN365-632							Nut - Self locking No. 6-32	8	ALL	
- 25	694-180673							Plate - AN104-B Antenna mast	1	ALL	
- 26	694-180672							Gasket - AN104-B Antenna mast	1	ALL	
	694-180671-10							Shim - AN104-B antenna mast	2	ALL	
	694-180674							Clamp - Mast Assembly	1	ALL	
	1MBA-6658							Bushing	1	ALL	
	Attaching Parts										
	AN526-832-36							Screw - Truss head No. 8-32 x 2-1/4 in.	2	ALL	
	AN960-8							Washer - Plain No. 8	4	ALL	
	AN365-832							Nut - Self locking No. 8-32	2	ALL	
	AN526-632-12							Screw - Truss head No. 6-32 x 3/4 in.	4	ALL	
	AN526-632-16							Screw - Truss head No. 6-32 x 1 in.	4	ALL	



FIGURE and INDEX NUMBER	GROUP FURNISHINGS						Units Per Ass'y	Usage on Code	
	MAJOR ASSEMBLY RADIO EQUIPMENT INSTALLATION Cont'd.								
	PART NUMBER	1	2	3	4	5 6 7			NOMENCLATURE
91 -	AN960-6						Washer - Plain No. 6	32	ALL
	AN365-632						Nut - Self locking No. 6-32	8	ALL
- 27	LI-100						Insulator - Antenna lead-in	2	ALL
		Attaching Parts							
- 28	AN515-6-12						Screw - Round head No. 6-32 x 3/4 in.	6	ALL
	AN960-6						Washer - Plain No. 6	6	ALL
	AN365-632						Nut - Self locking No. 6-32	6	ALL
	644-180671-10						Antenna Assembly - Marker beacon	1	ALL
		Attaching Parts							
- 29	AN23-8A						Bolt - Clevis No. 10-32 x 17/32 in.	2	ALL
	AN364-1032						Nut - Self locking No. 10-32	2	ALL
- 30	TS-100*						Tee - Splice	1	ALL
	SI-100*						Tee - Splice	1	ALL
- 31	TUI-100*						Unit - Tension	2	ALL
	TU-100*						Unit - Tension	2	ALL
- 32	SI-100						Insulator - Strain	1	ALL
- 33	WS-5B/U						Wire - Marker beacon	1	ALL
- 34	AN115-16						Shackle	2	ALL
- 35	407-184737						Mast Assembly - Marker beacon	1	ALL
		Attaching Parts							
- 36	AN526-832R7						Screw - Truss head No. 8-32 x 7/16 in.	3	ALL
	AN526-832R8						Screw - Truss head No. 8-32 x 1/2 in.	1	ALL
	694-180612						Channel Assembly - Antenna mast reinforcement upper	1	ALL
	694-180613						Bracket Assembly - Attaching antenna mast	1	ALL
- 37	TM-201						Insulator - Antenna lead-in	1	ABC
	LI-100						Insulator - Antenna lead-in	1	D
	644-180821						Wick Installation - Static discharge	1	ALL
- 38	SD-3 OR						Wick - Static discharge	12	ALL
	AN/ASA-3						Wick - Static discharge		
		Attaching Parts							
	AN526-632-6						Screw - Truss head No. 6-32 x 3/8 in.	2	ALL
	6K75						Rivnut - (GD)	2	ALL
- 39	MN53B						Receiver - Marker beacon	1	ALL
	MP-37-B						Dynamotor - Marker beacon	1	ALL
- 40	MR-64A						Mounting - Receiver	1	ALL
		Attaching Parts							
	AN520-10-8						Screw - Round head No. 10-32 x 1/2 in.	16	ALL
	AN960-10						Washer - Plain No. 10	16	ALL
	AN936B10						Washer - External tooth No. 10	1	D
	AN365-1032						Nut - Self locking No. 10-32	16	ALL
	SK-C16-21C-5/8						Plug - Cannon	1	ALL

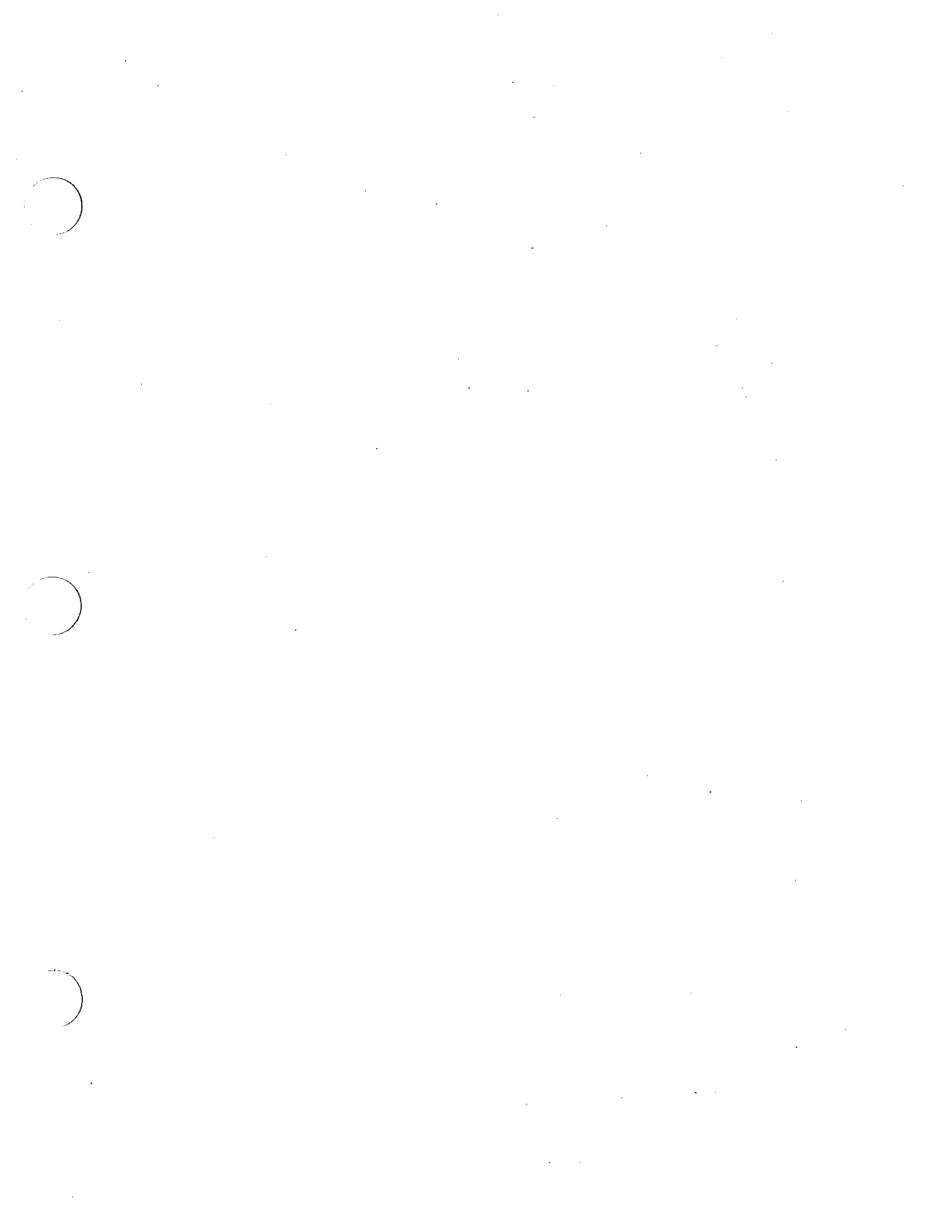
FIGURE and INDEX NUMBER	GROUP FURNISHINGS							Units Per Ass'y	Usage on Code	
	MAJOR ASSEMBLY RADIO EQUIPMENT INSTALLATION Cont'd.									
	PART NUMBER	1	2	3	4	5	6 7			NOMENCLATURE
91 - 41	BC453B							Receiver	1	ALL
	MC-211-A							Coupling - Radio receiver	3	ALL
- 42	BC454B							Receiver	1	ALL
- 43	BC455B							Receiver	1	ALL
- 44	FT-221-A							Mount - Tray	1	ALL
	FT-220-A							Rack	1	ALL
								Attaching Parts		
	AN520-10-8							Screw - Round head No. 10-32 x 1/2 in.	6	ABC
	AN520-10-8							Screw - Round head No. 10-32 x 1/2 in.	5	D
	AN520-10-10							Screw - Round head No. 10-32 x 5/8 in.	1	D
	AN960-10							Washer - Plain No. 10	6	ALL
	AN936-B10							Washer	2	D
	AN365-1032							Nut - Self locking No. 10-32	6	ALL
	FT-230-A							Adapter	3	ALL
	DM-32A							Dynamotor	3	ALL
	PL-147A							Plug - Cannon	1	ALL
	PL-151A							Plug - Cannon	1	ALL
	PL-152A							Plug - Cannon	3	ALL
- 45	BC442-A							Relay - Antenna	1	ALL
	FT-229-A							Mount - Tray	1	ALL
								Attaching Parts		
	AN515-8-8							Screw - Round head No. 8-32 x 1/2 in.	4	ABC
	AN515-8-8							Screw - Round head No. 10-32 x 1/2 in.	3	D
	AN515-8-10							Screw - Round head No. 10-32 x 3/8 in.	1	D
	AN960-8							Washer - Plain No. 8	4	ALL
	AN936-B8							Washer	2	D
	AN365-832							Nut - Self locking No. 8-32	4	ALL
	PL-156A							Plug - Cannon	1	ALL
- 46	784-180675							Bracket - Antenna relay unit mounting	1	ALL
								Attaching Parts		
	AN515-6-8							Screw - Round head No. 6-32	4	ABC
	AN515-8-8							Screw - Round head No. 10-32 x 1/2 in.	3	D
	AN515-8-10							Screw - Round head No. 10-32 x 5/8 in.	1	D
	AN960-6							Washer - Plain No. 6	4	ALL
	AN936-B8							Washer	2	D
	AN365-632							Nut - Self locking No. 6-32	4	ALL
- 47	BC-456A							Modulator	1	ALL
	DM-33-A							Dynamotor	1	ALL
- 48	FT-225A							Mount - Tray	1	ALL
								Attaching Parts		
	AN520-10-8							Screw - Round head No. 10-32 x 1/2 in.	4	ABC
	AN520-10-8							Screw - Round head No. 10-32 x 1/2 in.	3	D
	AN520-10-10							Screw - Round head No. 10-32 x 5/8 in.	1	D
	AN960-10							Washer - Plain No. 10	4	ALL
	AN936-B8							Washer	2	D

FIGURE and INDEX NUMBER	GROUP FURNISHINGS							Units Per Ass'y	Usage on Code	
	MAJOR ASSEMBLY RADIO EQUIPMENT INSTALLATION Cont'd.									
	PART NUMBER	1	2	3	4	5	6 7			NOMENCLATURE
91 - 48	AN365-1032							Nut - Self locking No. 10-32	4	ALL
	PL-148A							Plug - Cannon	1	ALL
	PL-151A							Plug - Cannon	1	ALL
	PL-153A							Plug - Cannon	1	ALL
	PL-154A							Plug - Cannon	1	ALL
- 49	644-180717							Amplifier - Isolation	1	ALL
	644-180717-602							Amplifier - Isolation (use for spare part)	1	ALL
- 50	M/T-5/AXR-2							Mounting Tray	1	ALL
								OR		
	FT-231-A							Mounting Tray	1	ALL
								Attaching Parts		
	AN520-10-8							Screw - Round head No. 10-32 x 1/2 in.	4	ABC
	AN520-10-8							Screw - Round head No. 10-32 x 1/2 in.	3	D
	AN520-10-10							Screw - Round head No. 10-32 x 3/8 in.	1	D
	AN960-8							Washer - Plain No. 8	4	ALL
	AN936-B8							Washer	2	D
	AN365-1032							Nut - Self locking No. 10-32	4	ALL
	AN3106A-20-11S							Plug	1	ALL
	AN3106A-20									
	-27S							Plug	2	ALL
	AN3057-12							Clamp	3	ALL
- 51	AN/ARN-7							Receiver	1	ABC
	R-5A/ARN7							Receiver	1	D
- 52	FT-213A							Mount - Tray	1	ALL
								Attaching Parts		
	AN520-10-8							Screw - Round head No. 10-32 x 1/2 in.	6	ABC
	AN520-10-8							Screw - Round head No. 10-32 x 1/2 in.	5	D
	AN520-10-10							Screw - Round head No. 10-32 x 5/8 in.	5	D
	AN960-10							Washer - Plain No. 10	6	ALL
	AN936-B8							Washer	2	D
	AN365-1032							Nut - Self locking No. 10-32	6	ALL
	PL-122							Plug - Cannon	1	ALL
	MC-136							Coupling	1	ALL
- 53	AF/UTA-68							Transceiver	1	ALL
- 54	AF/ASM-69							Shock Mount - Tray	1	ALL
								OR		
	AF/ACSM-177							Shock Mount Tray	1	ALL
								Attaching Parts		
	AN515-8-8							Screw - Round head No. 8-32 x 1/2 in.	6	ABC
	AN520-10-8							Screw - Round head No. 10-32 x 1/2 in.	6	D
	AN960-8							Washer - Plain No. 8	12	ABC
	AN960-10							Washer	12	D
	AN936B10							Washer	4	D
	AN365-832							Nut - Self locking No. 8-32	6	ABC
	AN365-1032							Nut - Self locking No. 10-32	6	D

FIGURE and INDEX NUMBER	GROUP FURNISHINGS		Units Per Ass'y	Usage on Code
	MAJOR ASSEMBLY RADIO EQUIPMENT INSTALLATION Cont'd.			
	PART NUMBER	1 2 3 4 5 6 7. NOMENCLATURE		
91 -	UG-21BIU	Plug - Cannon	1	ALL
	AN3102-16-11P	Plug - Cannon	1	ALL
	AN3102-16S-1P	Plug - Cannon	1	ALL
	AN3102-20-27P	Plug - Cannon	1	ALL
- 55	BC-458A	Transmitter	1	ALL
- 56	BC-696A	Transmitter	1	ALL
- 57	FT-227A	Mount - Rack	1	ALL
- 58	FT-226A	Mount - Tray	1	ALL
	Attaching Parts			
	AN520-10-8	Screw - Round head No. 10-32 x 1/2 in.	4	ABC
	AN520-10-8	Screw - Round head No. 10-32 x 1/2 in.	3	D
	AN520-10-10	Screw - Round head No. 10-32 x 5/8 in.	1	D
	AN960-10	Washer - Plain No. 10	4	ALL
	AN936B10	Washer	2	D
	AN365-1032	Nut - Self locking No. 10-32	4	ALL
	PL-154A	Plug - Cannon	1	ALL
	PL-156A	Plug - Cannon	1	ALL
- 59	5U/1821	MG-149-F Inverter	1	ALL
	Attaching Parts			
	AN520-10-12	Screw - Round head No. 10-32 x 3/4 in.	4	ABC
	AN3-4A	Bolt - Aircraft No. 10-32 x 29/32 in.	4	D
	AN960-10	Washer - Plain No. 10	4	ABC
	AN970-3	Washer - Flat No. 3	8	D
	IMBA6874	Washer - Fibre	8	D
	AN931-3-5	Grommet	8	D
- 60	LP-21	Loop Assembly - Radio	1	ABC
	LP-21-A	Loop Assembly - Radio	1	D
	Attaching Parts			
	No Number	Screw - Socket head No. 8-32 x 7/8 in.	7	ALL
	CD-365	Cord - Loop	1	ALL
	PL-112	Plug - Cannon	1	ALL
	814-180674	Seal Assembly - Loop	1	ALL
	AL74776-1	Dehydrator - Kit includes tube, clip, screen, tubing, hose, Silica-Gel. tape, clamp, bag, outline, Decelmania, and miscellaneous hardware. (RCAF Ref. No. 10EP/5165)	1	ALL
	Attaching Parts			
	AN735D8	Clamp - Hose	2	ALL
	AN515-8-10	Screw	2	ALL
	AN960-8	Washer	2	ALL
	AN365-832	Nut	2	ALL
- 61	814-180623	Amplifier - (Make from type BD-347 box assembly)	1	ABC
	3MBA6614	Amplifier - (Make from type BC-347 box assembly)	1	D

FIGURE and INDEX NUMBER	GROUP FURNISHINGS							Units Per Ass'y	Usage on Code	
	MAJOR ASSEMBLY RADIO EQUIPMENT INSTALLATION Cont'd									
	PART NUMBER	1	2	3	4	5	6 7			NOMENCLATURE
91 -	84-180625							Bracket - Amplifier mounting	1	ABC
	3MBA6613							Bracket - Amplifier mounting	1	D
- 62	824-180682							Dynamotor - (Make from PE-86 Dynamotor Unit)	1	ABC
	3MBA6989							Dynamotor - (Make from PR-86 Dynamotor Unit)		
								Interphone	1	D
								Attaching Parts		
	AN515-8-8							Screw - Round head No. 8-32 x 1/2 in.	4	ALL
	AN960-8							Washer - Plain No. 8	4	ALL
	AN365-832							Nut - Self locking No. 8-32	4	ALL
- 63	644-180660							Box Assembly - Rear radio junction	1	ABC
	3MBA13007							Box Assembly - Rear radio junction	1	D
								Attaching Parts		
	AN515-8-24							Screw - Round head No. 8-32 x 1-1/2 in.	1	ABC
	AN515-8-14							Screw - Round head No. 8-32 x 7/8 in.	1	D
	AN515-8-20							Screw - Round head No. 8-32 x 1-1/4 in.	2	ALL
	100696-D08-06									
	-104							Spacer	1	ALL
	AN960-8							Washer - Plain No. 8	7	ALL
	AN365-832							Nut - Self locking No. 8-32	3	ALL
	AN936-8B							Washer - External No. 8	4	D
- 64	404-180746							Lid Assembly - Junction box	1	ABC
	3MBA13007-3							Lid Assembly - Junction box	1	D
- 65	AN3435-2-16							Terminal Assembly - Junction box	1	ALL
								Attaching Parts		
	AN515-4-6							Screw - Round head No. 4-40 x 1/4 in.	4	ALL
	AN960-4							Washer - Plain No. 4	4	ALL
	AN340-4							Nut - Locknut No. 4-40	4	ALL
	AN3432-6-12							Screw	32	ALL
	AN961-6							Washer	32	ALL
	AN341-6							Nut	32	ALL
- 66	SW-172-A							Relay - Junction Box	1	ALL
								Attaching Parts		
	AN515-6-6							Screw - Round head No. 6-32 x 3/8 in.	4	ALL
	AN960-6							Washer - Plain No. 6	4	ALL
	AN365-D632							Nut - Self locking No. 6-32	4	ALL
- 67	3MBA13007							Box Assembly - Junction	1	ABC
	3MBA13007-2							Box Assembly - Junction	1	D
	3MBA6973							Control Installation - Volume	1	D
	3MBA6973-2							Bracket - Volume control mounting	1	D
	1MBA6974							Potentiometer	1	D
	AN3106-24-11S							Plug	1	ALL
	NK-27-21C-5/8							Plug	4	ALL
	AN742-10C							Clamp	5	ABC
	IN-88							Insulator	5	ABC

FIGURE and INDEX NUMBER	GROUP FURNISHINGS							Units Per Ass'y	Usage on Code	
	MAJOR ASSEMBLY RADIO EQUIPMENT INSTALLATION Cont'd									
	PART NUMBER	1	2	3	4	5	6 7			NOMENCLATURE
91 - 68	644-180690							Rack Installation - Marker beacon receiver	1	ALL
	4MBA13054							Box Installation - Radio Junction	1	D
	2MBA4804							Channel - Radio junction box support	2	D
- 69	3MBA4803							Box Assembly - Radio junction	1	D
	Attaching Parts									
	AN520-10-8							Screw - Round head No. 10-32 x 1/2 in.	4	D
	AN936-B10							Washer - Plain No. 10	4	D
	3MBA6524							Placard	1	D
	3MBA6012							Placard - Terminal	1	D
	3MBA4803-2							Box	1	D
	3MBA4803-3							Lid	1	D
	NAS45-8-20							Terminal Strip	4	D
	3MBA4803-4							Lug	2	D
	AN251-0-17							Hinge	1	D
	* For replacement of TU1-100 use TU-100 and for TS-100 use SI-100.									
	** 3MBA cable assembly used with AS-27/ARN5 mast assembly.									
	Detail A - Equipment arrangement for 3N, 3NM and 3TM aircraft, and 3T aircraft HB126, 1409 and HB 130									
	Detail B - Equipment arrangement for 3T aircraft 1399 and subsequent.									



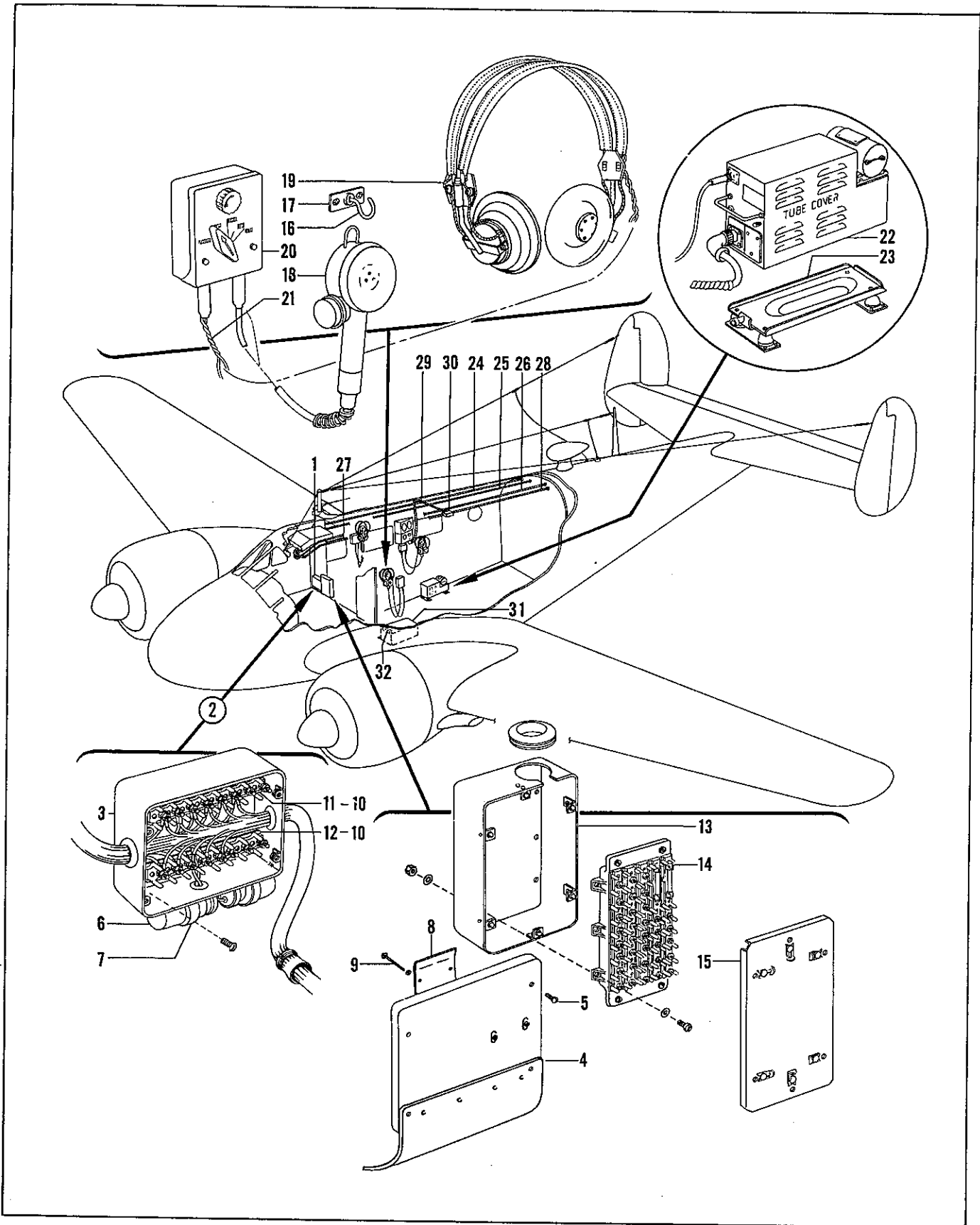


Figure 92. Radio Equipment Installation



FIGURE and INDEX NUMBER	GROUP FURNISHINGS		Units	Usage
	MAJOR ASSEMBLY RADIO EQUIPMENT INSTALLATION		Per	on
	PART NUMBER	1 2 3 4 5 6 7 NOMENCLATURE	Ass'y	Code
92	644-180670	Equipment Installation Radio (See Figure 1)	Ref	AB
	644-180663	Equipment Installation Radio (See Figure 1)	Ref	C
	5MBA6766	Equipment Installation Radio (See Figure 1)	Ref	D
- 1	644-180678	Box Assembly - Instrument landing system junction	1	A
- 2	3MBA6663	Box Assembly - Instrument landing system junction	1	D
	Attaching Parts			
	AN515-8-9	Screw - Round head No. 8-32 x 9/16 in.	4	A
	AN520-10-10	Screw - Round head No. 10-32 x 5/8 in.	4	D
	AN960-8	Washer - Plain No. 8	4	A
	AN365-832	Nut - Self locking No. 8-32	4	A
- 3	644-180669	Box - Instrument landing system junction	1	A
	3MBA6663-3	Box - Instrument landing system junction	1	D
- 4	644-180668	Lid - Junction box (Altered to EO 05-45B-6A/ 34)	1	AB
	3MBA6663-2	Lid - Junction box	1	D
	Attaching Parts			
- 5	AN515-8-7	Screw - Round head No. 8-32 x 7/16 in.	4	AD
- 6	A120160	Capacitor - (AEV)	2	AD
- 7	AN742-24C	Clamp	2	A
	Attaching Parts			
	AN520-10-8	Screw - Round head No. 10-32 x 1/2 in.	2	A
	AN960-10	Washer - Plain No. 10	2	A
	AN365-1032	Nut - Self locking No. 10-32	2	A
- 8	3MBA3367-3	Plate - Capacitor	1	D
	Attaching Parts			
- 9	AN515-6-28	Screw - Round head No. 6-32 x 2-3/4 in.	2	D
	AN960-6L	Washer - Plain No. 6	2	D
	2MBA6526	Placard - Junction box	1	D
	AN931-5-9	Grommet	1	A
	48152	Plug - Dot Button	1	D
	AN931-16-22	Grommet	2	A
	48132	Plug - Dot Button	1	D
- 10	AN3436-2-11	Strip - Terminal	2	AD
	Attaching Parts			
	AN515-4-5	Screw - Round head No. 4-40 x 5/16 in.	4	AD
	AN365-440	Nut - Self locking No. 4-40	4	AD
- 11	112132-1-11	Strip - Terminal identification	1	AD
- 12	112132-12-23	Strip - Terminal identification	1	AD
	RC20BE102K	Resistor	4	AD
- 13	644-180649	Box Assembly - Radio compass relay	1	A
	4MBA6521-2	Box Assembly - Radio compass relay	1	D

FIGURE and INDEX NUMBER	GROUP FURNISHINGS							Units Per Ass'y	Usage on Code	
	MAJOR ASSEMBLY RADIO EQUIPMENT INSTALLATION (Cont'd)									
	PART NUMBER	1	2	3	4	5	6 7			NOMENCLATURE
92 -	Attaching Parts									
	AN526-832-8							Screw - Truss head No. 8-32 x 1/2 in.	4	AD
- 14	BK-22K							Relay - Radio Compass	1	A
	SW-172							Relay - Radio compass	1	D
	Attaching Parts									
	AN526-8-10							Screw - Truss head No. 8-32 x 5/8 in.	6	A
	AN960-8							Washer - Plain No. 8	10	A
	AN340-832							Nut - Plain No. 8	6	A
	AN365-832							Nut - Self locking No. 8-32	6	A
- 15	644-180793							Lid - Radio compass relay box	1	A
	4MBA6521-3							Lid - Radio compass relay box	1	D
	357002							Clip Assembly - Fuse (Type - S)	1	D
	NAS45-6-10							Panel Assembly - Terminal	2	AD
	Attaching Parts									
	AN507-632-R5							Screw - Flat head No. 6-32 x 5/16 in.	4	AD
	AN960-6L							Washer - Plain No. 6	4	AD
	AN365-632							Nut - Self locking No. 6-32	4	AD
	644-180043							Placard - Identification	1	A
	2MBA6523							Placard - Identification	1	D
- 16	180634U							Holder - Hand Microphone and Headset	3	A
	180634U							Holder - Hand Microphone and Headset	1	D
	Attaching Parts									
- 17	AN526-632-6							Screw - Truss head No. 6-32 x 3/8 in.	2	AD
	AN960-6							Washer - Plain No. 6	2	AD
	AN365-632							Nut - Self locking No. 6-32	2	AD
- 18	T-17							Microphone - Hand Radio	2	AC
	T-17							Microphone - Hand Radio	1	D
- 19	HS-33							Headset - Radio	2	AC
	HS-33							Headset - Radio	1	D
- 20	644-180696							Box Assembly - Cabin interphone jack	2	AC
	694-180684							Box Assembly - Cabin interphone jack	1	AC
	3MBA13097							Box Assembly - Cabin interphone jack	1	D
- 21	202841-480							Connector - Radio headset	3	AC
	202841-480							Connector - Radio headset	1	D
- 22	BC-733D							Receiver	1	ACD
	DM-53-A							Dynamotor	1	ACD
- 23	FT-293-A							Mount - Receiver	1	ACD
	Attaching Parts									
	AN526-832-16							Screw - Truss head No. 8-32 x 1 in.	8	ACD
	AN960-8							Washer - Plain No. 8	8	ACD
	AN365-832							Nut - Self locking No. 8-32	8	ACD

FIGURE and INDEX NUMBER	GROUP FURNISHINGS							Units Per Ass'y	Usage on Code	
	MAJOR ASSEMBLY RADIO EQUIPMENT INSTALLATION (Cont'd)									
	PART NUMBER	1	2	3	4	5	6 7			NOMENCLATURE
92 -	UG-102/U							Plug	1	ACD
	AN3108-20-27S							Plug	1	ACD
	UG-104/U							Plug	1	ACD
	AN3057-12							Adapter	1	ACD
- 24	MC-215							Shaft Assembly - Tuning (218 in.)	1	ACD
- 25	MC-215							Shaft Assembly - Tuning (220 in.)	1	ACD
- 26	MC-215							Shaft Assembly - Tuning (224 in.)	1	ACD
	AN742-D5							Clamp	30	ACD
	AP3P							Bond - (TOM)	15	ACD
	Attaching Parts									
	AN526-632-7							Screw - Truss head No. 6-32 x 7/16 in.	45	ACD
	AN960-6							Washer - Plain No. 6	45	ACD
	AN365-632							Nut - Self locking No. 6-32	45	ACD
- 27	MC-124							Shaft Assembly - Tuning (212-1/8 in.)	1	A
- 28	MC-124							Shaft Assembly - Tuning (131-1/8 in.)	1	A
- 29	MC-124							Shaft Assembly - Tuning (28-1/8 in.)	1	A
	AN742-D7C							Clamp	12	A
	Attaching Parts									
	AN526-632-7							Screw - Truss head No. 6-32 x 7/16 in.	15	A
	AN960-6							Washer - Plain No. 6	15	A
	AN365-632							Nut - Self locking No. 6-32	15	A
- 30	MC-203-A							Coupling - Tuning shaft	1	A
- 31	4MBA6539							Cover - ILS receiver	1	D
	Attaching Parts									
- 32	AN526-1032-10							Screw - Truss head No. 10-32 x 5/8 in.	4	D
	AN526-1032-18							Screw - Truss head No. 10-32 x 1-1/8 in.	4	D
	AN362F1032							Nut - Plate	2	D
	A10K75							Rivnut	2	D

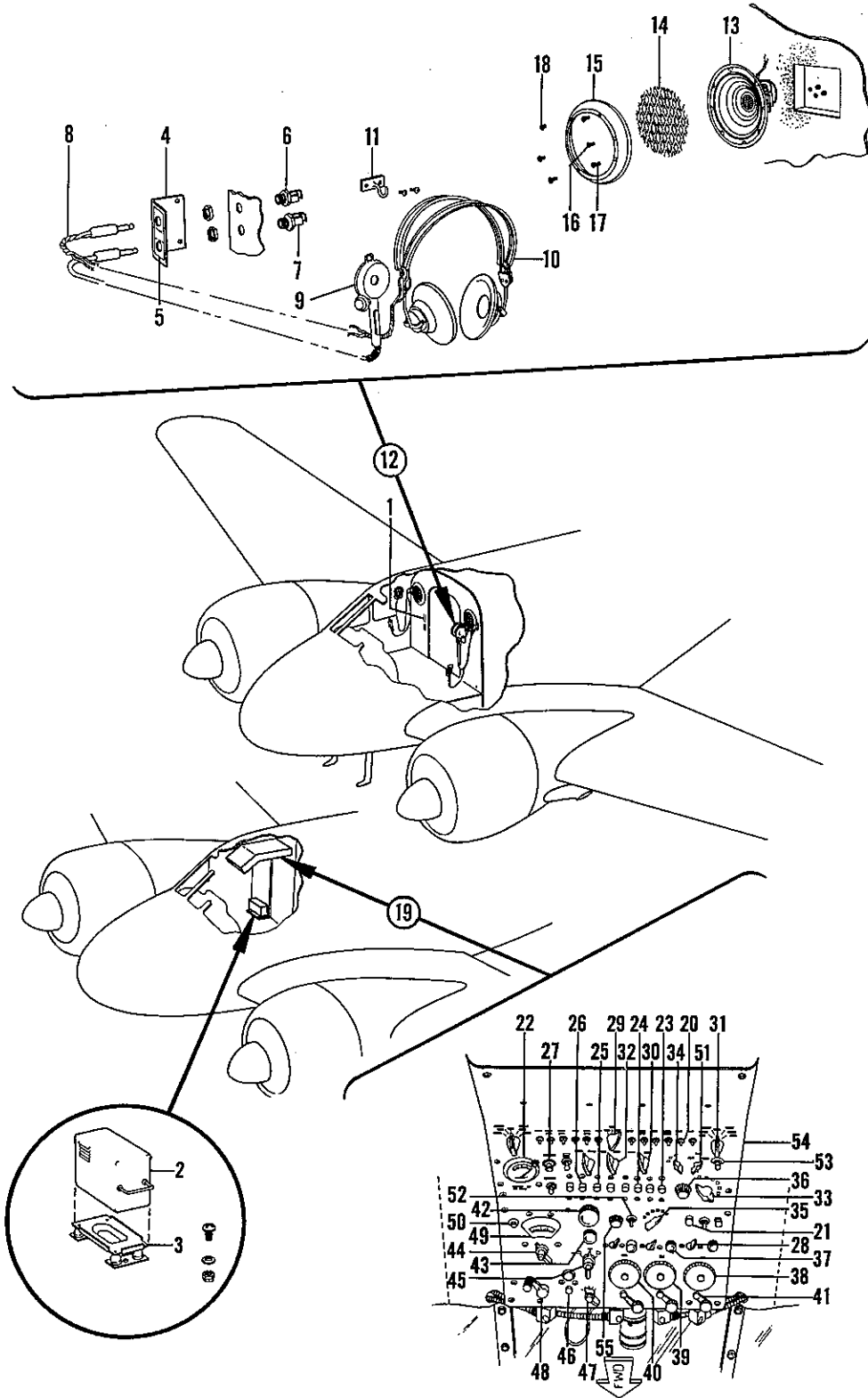


Figure 93. Radio Equipment Installation

FIGURE and INDEX NUMBER	GROUP	FURNISHINGS					Units Per Ass'y	Usage on Code			
		MAJOR ASSEMBLY RADIO EQUIPMENT INSTALLATION									
		PART NUMBER	1	2	3	4			5	6	7
93 -	644-180670								Equipment Installation Radio (See Figure 1)	Ref	AB
	644-180663								Equipment Installation Radio (See Figure 1)	Ref	C
	5MBA6766								Equipment Installation Radio (See Figure 1)	Ref	D
- 1	FL-30								Filter - Radio range	2	ABC
	2MBA6527								Filter - Radio range	2	D
	Attaching Parts										
	AN526-832-9								Screw - Truss head No. 8-32 x 9/16 in.	8	ALL
	AN960-8								Washer - Plain No. 8	8	ABC
	AN960-8								Washer - Plain No. 8	6	D
	AN936-B8								Washer	2	D
	AN365-832								Nut - Self locking No. 8-32	8	ABC
	AN340-8								Nut - Hexagon No. 8-32	8	ABC
- 2	R-89-B								Receiver - Glide path	1	ABC
	R-89B/ARN-5A								Receiver - Glide path	1	D
- 3	MT-28/ARN-5								Shock Mount - Glide path receiver	1	ALL
	Attaching Parts										
- 4	AN526-832-16								Screw - Truss head No. 8-32 x 1 in.	8	ALL
	AN960-8								Washer - Plain No. 8	8	ALL
	AN365-832								Nut - Self locking No. 8-32	8	ALL
	AN3108-10SL-4S								Plug	1	ALL
	AN3057-4								Adapter	1	ALL
	AN3108-10-1S								Plug	1	ALL
	AN3057-10								Adapter	1	ALL
	UG-102/U								Plug	1	ALL
	UG-104/U								Adapter	1	ALL
- 4	404-180738								Bracket - Mounting LH	1	ABC
	2MBA6529								Bracket - Mounting LH	1	D
	404-180738-1								Bracket - Mounting RH	1	ABC
	2MBA6529-1								Bracket - Mounting RH	1	D
	Attaching Parts										
	AN526-632-7								Screw - Truss head No. 6-32 x 7/16 in. per bracket	3	ALL
	AN960-6								Washer - Plain No. 6	3	ALL
	AN365-632								Nut - Self locking No. 6-32	3	ALL
- 5	404-180129								Placard - Headset and microphone jackbox LH	1	ALL
	404-180134								Placard - Headset and microphone jackbox RH	1	ALL
- 6	JK-34								Jack - Headset	2	ALL
- 7	JK-33								Jack - Microphone	2	ALL
- 8	202841-360								Connector - Headset	2	ALL
- 9	T-17								Microphone - Hand	2	ALL
- 10	HS-33								Headset - Radio	2	ALL
- 11	180634U								Holder - Hand microphone and headset	4	ABC
	1MBA4667								Holder - Hand microphone and headset	4	D
	Attaching Parts										
	AN526-632-6								Screw - Truss head No. 6-32 x 3/8 in. per installation	2	ABC

Part 2  
Group Assembly Part List

EO 05-45B-4

Figure and Index Number	Group FURNISHINGS							Units per Assy	Usage on Code	
	Major Assembly RADIO EQUIPMENT INSTALLATION (Cont'd)									
	Part	1	2	3	4	5	6 7			Nomenclature
93-	AN526-8-8							Screw - Truss head No. 8-32 x 1/2 in., per installation	8	D
	AN960-6							Washer - Plain No. 6	8	ABC
	AN365-632							Nut - Self locking No. 6-32	8	ABC
-12	644-180675							Speaker Installation - Pilot compartment	1	ALL
-13	S10340							Speaker - Pilot compartment	2	ALL
-14	644-180675-6							Grill - Panel speaker (USG)	2	ALL
-15	644-180675-2							Ring - Grill mounting	2	ALL
								ATTACHING PARTS		
-16	NAS387-632-10P							Screw - Oval head No. 6-32 x 5/8 in., per installation	2	ALL
	AN960-6							Washer - Plain No. 6	2	ALL
	AN365-632							Nut - Self locking No. 6-32	2	ALL
-17	NAS1032-16P							Screw - Oval head No. 10-32 x 3/4 in., per installation	2	ALL
-18	NAS387-1032-24P							Screw - Oval head No. 10-32 x 1-1/4 in., per installation	2	ALL
	A3005							Transformer - Speaker	2	ALL
-19	644-180680							Panel Assembly - Radio control	1	ABC
	4MBA6764							Panel Assembly - Radio control	1	D
-20	8280K15							Switch - Toggle (CUT)	15	ALL
								ATTACHING PARTS		
	29-761							Washer - Lock	15	ALL
	15-192							Nut - Hexagon	15	ALL
	15-124							Nut - Knurled face	15	ALL
-21	6749							Knob - Audio (ARC)	2	ALL
	No Number							Shaft - Extension 1/4 in. (Smith type catalogue No. 150 or equivalent)	2	ALL
	AN381-1-12							Pin - Cotter 3/4 in.	2	ALL
	111-72021-1							Placard - Pilot volume control	1	ALL
	111-72021-3							Placard - Co-Pilot volume control	1	ALL
	M5MP							Rheostat - (MAL)	2	ALL
	20BE301K							Resistor - (Type RC)	4	ALL
-22	I-70-B							Meter - Tuning (WS)	1	ALL
	AN3136-323							Lamp - Instrument tuning meter	1	ALL
								ATTACHING PARTS		
-23	NAS387-632-8							Screw - Oval head No. 6-32 x 1/2 in.	3	ALL
	PSM-5							Breaker - Circuit (SPT)	3	ALL
								ATTACHING PARTS		
-24	NAS387-632-6							Screw - Oval head No. 6-32 x 3/8 in.	6	ALL
	PSM-10							Breaker - Circuit (SPT)	3	ALL
								ATTACHING PARTS		
	NAS387-632-6							Screw - Oval head No. 6-32 x 3/8 in.	6	ALL

FIGURE and INDEX NUMBER	GROUP FURNISHINGS							Units Per Ass'y	Usage on Code		
	MAJOR ASSEMBLY RADIO EQUIPMENT INSTALLATION Cont'd.										
	PART NUMBER	1	2	3	4	5	6			7	NOMENCLATURE
93 - 25	PSM-20								Breaker - Circuit (SPT)	1	ALL
									Attaching Parts		
	NAS387-632-6								Screw - Oval head No. 6-32 x 3/8 in.	2	ALL
- 26	PSM-35								Breaker - Circuit (SPT)	1	ALL
									Attaching Parts		
	NAS387-632-6								Screw - Oval head No. 6-32 x 3/8 in.	2	ALL
	644-180709								Bus Bar - Radio Control Panel (Circuit breakers)	1	ALL
- 27	S17								Switch - DPST push button (Spec. A110017)	1	ALL
- 28	5444								Lever - Control (AB)	3	ALL
	6536								Switch - CW-OFF-MCW(WE)	3	ALL
- 29	366-1								Knob - Control (MAL)	1	ALL
	AN936A616								Washer	1	ALL
	3143J								Switch - Selector (MAL)	1	ALL
- 30	366-1								Knob - Control (MAL)	2	ALL
	AN936A616								Washer	2	ALL
	3142J								Switch - Selector (MAL)	2	ALL
- 31	366-1								Knob - Control (MAL)	2	ALL
	AN936A616								Washer	2	ALL
	1426								Switch - Filter (CN)	2	ALL
- 32	366-1								Knob - Control (MAL)	1	ALL
	AN936A616								Washer	1	ALL
	47498-H3								Switch - Mike selector (OAK)	1	ALL
- 33	366-1								Knob - Control (MAL)	1	ALL
	AN936A616								Washer	1	ALL
	47428-H1								Switch - Selector (OAK)	1	ALL
- 34	3912								Lever - Control (WE)	1	ALL
	7079								Switch - Frequency selector (WE)	1	ALL
- 35	ESO-691189-2								Lever - Frequency control (WE)	1	ALL
	ESO-691190-1								Switch - Frequency selector (WE)	1	ALL
- 36	6749								Knob - Control (ARC)	1	ALL
	AN936A616								Washer	1	ALL
	BA33-010-1262								Rheostat - 10,000 OHM (Model M) (CN)	1	ALL
- 37	ES-69038								Knob - Control (WE)	3	ALL
	AN936A616								Washer	3	ALL
	6488								Control - Gain (AB)	3	ALL
- 38	6053								Dial - (WE)	1	ALL
	6550								Unit Assembly - Gearing (WE)	1	ALL
	644-180664								Post - Mounting (ARC)	3	ALL
- 39	6051								Dial - (WE)	1	ALL
	6550								Unit Assembly - Gearing (WE)	1	ALL
	644-180664								Post - Mounting (ARC)	3	ALL
- 40	6054								Dial - (WE)	1	ALL
	6550								Unit Assembly - Gearing (WE)	1	ALL
	644-180664								Post - Mounting (ARC)	3	ALL
- 41	7955								Knob - Control (WE)	3	ALL

FIGURE and INDEX NUMBER	GROUP FURNISHINGS							Units Per Ass'y	Usage on Code	
	MAJOR ASSEMBLY RADIO EQUIPMENT INSTALLATION Cont'd.									
	PART NUMBER	1	2	3	4	5	6 7			NOMENCLATURE
93 - 42	AA25756							Knob - Control (BX)	1	ALL
	AN936A616							Washer	1	ALL
	L75003							Resistor - Variable (type JJ) (AB)	1	ALL
- 43	AA25754							Knob - Control (BX)	1	ALL
	AN936A616							Washer	1	ALL
	A29842							Rheostat - Light (OM)	1	ALL
	A100005							Resistor - (IRC type MW-3) (BX)	1	ALL
	Attaching Parts									
	NAS387-632-6							Screw - Oval head No. 6-32 x 3/8 in.	2	ALL
	AN365-632							Nut - Self locking No. 6-32	2	ALL
- 44	AA104948							Knob Assembly - Control (BX)	1	ALL
	AA109907							Shaft Assembly - Control Knob (BX)	1	ALL
- 45	AA104948							Knob Assembly - Control (BX)	1	ALL
	AC59710							Switch Assembly - Selector (BX)	1	ALL
- 46	AN3136-323							Lamp	1	ALL
	B8184							Socket - (BX)	1	ALL
	38-11-2							Cap - Jewel (DLC)	1	ALL
- 47	AA104948							Knob - Control	1	ALL
	C62539							Switch - Selector (OAK)	1	ALL
	B8184							Socket - (BX)	1	ALL
- 48	AB8917							Crank Assembly - Control (BX)	1	ALL
	Attaching Parts									
	NAS387-832-6							Screw - Oval head No. 8-32 x 3/8 in.	3	ALL
- 49	AL72368							Dial Assembly - (BX)	1	ALL
	Attaching Parts									
	NAS200-440-10							Screw - Oval head No. 4-40 x 5/8 in.	2	ALL
	AN365-440							Nut - Self locking No. 4-40	2	ALL
- 50	AN3136-323							Lamp - Instrument	1	ALL
	B8184							Socket - Instrument Lamp (BX)	1	ALL
- 51	3912							Knob - Control (WE)	1	ALL
	7104							Switch - Tone - CS - voice (WE)	1	ALL
- 52	ESO-690347-3							Switch - Toggle (WE)	1	ALL
- 53	1516							Switch - Toggle (WE)	1	ALL
- 54	644-180682-2							Panel Assembly - Radio control	1	ALL
	404-180792-42							Panel Assembly - Radio control (use for spare part - consist of panel and equipment)	1	ALL
	Attaching Parts									
	NAS387-632-20							Screw - Oval head No. 6-32 x 1-1/4 in.	6	ALL
	644-180611-COA23123							Washer	6	ALL
	AN960-10L							Washer - Plain No. 10	6	ALL
- 55	ESO-684449-1							Knob - Control (WE)	1	ALL
	AN936A616							Washer	1	ALL
	ESO-696917-1							Potentiometer - (AB)	1	ALL



FIGURE and INDEX NUMBER	GROUP FURNISHINGS							Units Per Ass'y	Usage on Code		
	MAJOR ASSEMBLY RADIO EQUIPMENT INSTALLATION Cont'd.										
	PART NUMBER	1	2	3	4	5	6			7	NOMENCLATURE
93 - 55	644-180685								Bracket - Radio control	1	ALL
									Attaching Parts		
	NAS387-632-4								Screw - Oval head No. 6-32 x 1/4 in.	4	ALL
	AN365-632								Nut - Self locking No. 6-32	4	ALL
	12231								Relay - Radio control panel	3	ALL
									Attaching Parts		
	AN515-3-2								Screw - Round head No. 3-48 x 1/8 in., per installation	4	ALL
	AN936-A3								Washer - Lock No. 3	4	ALL
	1604								Relay - Radio control panel	1	ALL
									Attaching Parts		
	AN515-6-3								Screw - Round head No. 6-32 x 3/16 in.	1	ALL
	AN936-A6								Washer - Lock No. 6-32 x 3/16 in.	1	ALL
	NK-27-325								Receptacle	4	ALL
									Attaching Parts		
	AN515-6-4								Screw - Round head No. 6-32 x 1/4 in. per installation	5	ALL
	AN365-632								Nut - Self locking No. 6-32	5	ALL
	MC-211-A								Coupling - Radio control panel	3	ALL
AN3106-24-11S								Plug - Cannon	1	ALL	
NK-27-21X-5/8								Plug - Cannon	4	ALL	
MC-136								Coupling	1	ALL	

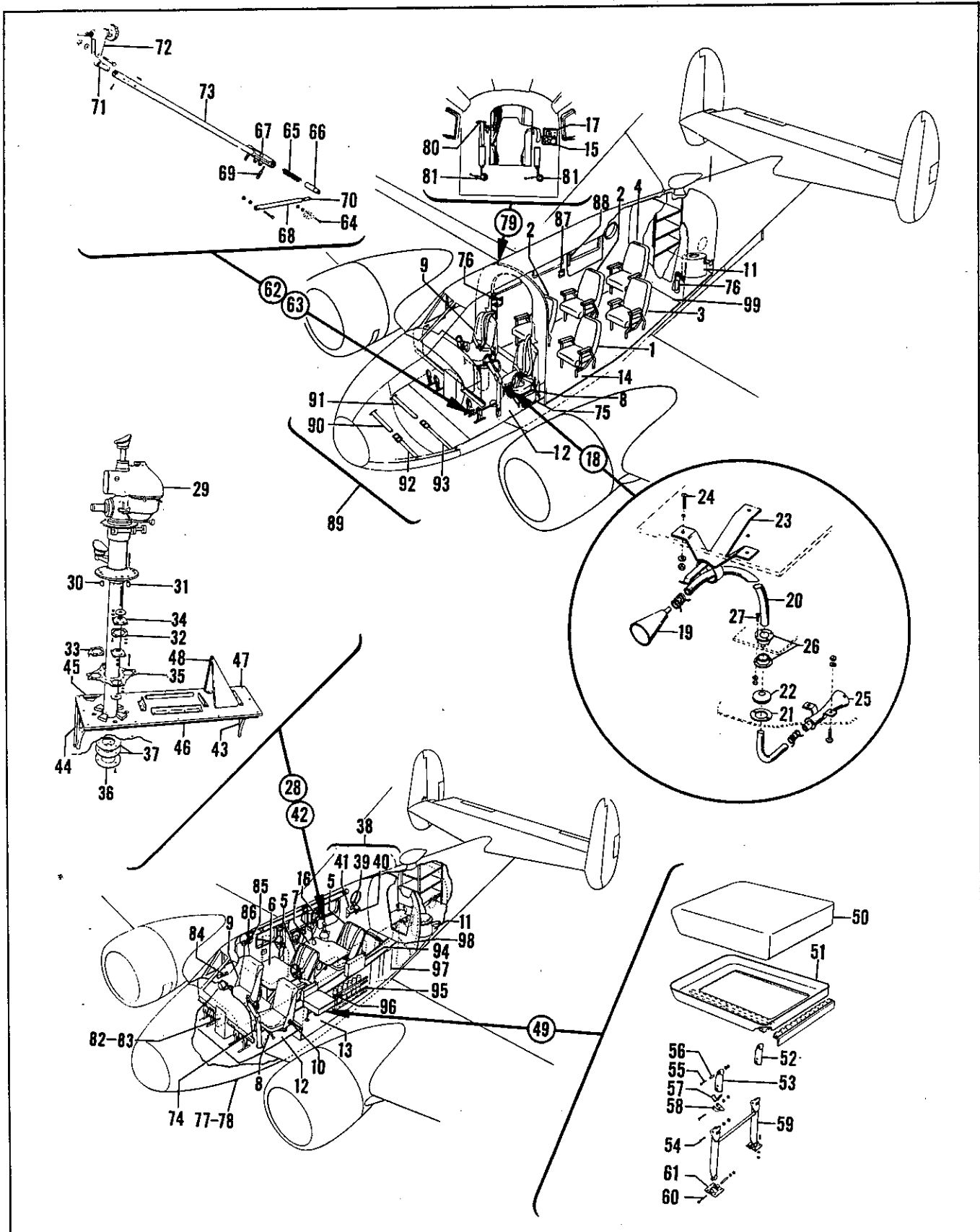


Figure 94 (Issue 1) Cabin Furnishings Installation

FIGURE and INDEX NUMBER	GROUP FURNISHINGS							Units	Usage	
	MAJOR ASSEMBLY CABIN FURNISHINGS INSTALLATION							Per	on	
	PART NUMBER	1	2	3	4	5	6 7	NOMENCLATURE	Ass'y	Code
94	644-180640							Furnishings Installation - Cabin (see Figure 1)	Ref	A
	644-180644							Furnishings Installation - Cabin (see Figure 1)	Ref	B
	644-180645							Furnishings Installation - Cabin (see Figure 1)	Ref	C
- 1	644-183377-7							Chair Assembly - Passenger reclining upholstered green (see Figure 96)	1	B
	644-183377-11							Seat Cap - Green	1	B
	644-183377-1							Chair Assembly - Passenger reclining upholstered blue (see Figure 96)	1	C
	644-183377-5							Seat Cap - Blue	1	C
- 2	644-183377-8							Chair Assembly - Passenger reclining upholstered green (see Figure 96)	2	B
	644-183377-11							Seat Cap - Green	2	B
	644-183377-2							Chair Assembly - Passenger reclining upholstered blue (see Figure 96)	2	C
	644-183377-5							Seat Cap - Blue	2	C
- 3	644-183377-9							Chair Assembly - Passenger reclining upholstered green (see Figure 96)	1	B
	644-183377-11							Seat Cap - Green	1	B
	644-183377-3							Chair Assembly - Passenger reclining upholstered blue (see Figure 96)	1	C
	644-183377-5							Seat Cap - Blue	1	C
- 4	644-183377-10							Chair Assembly - Passenger reclining upholstered green (see Figure 96)	1	B
	644-183377-11							Seat Cap - Green	1	B
	644-183377-4							Chair Assembly - Passenger reclining upholstered blue (see Figure 96)	1	C
	644-183377-5							Seat Cap - Blue	1	C
- 5	644-183302							Seat Assembly - High strength (see Figure 97)	2	AB
- 6	644-180635							Table - First navigator's station installation (see Figure 97)	1	AB
- 7	644-183461							Table Assembly - Second navigator's (see Figure 97)	1	AB
- 8	734-183297							Seat Assembly - Pilot's metal LH (see Figure 98)	1	ABC
- 9	734-183297-1							Seat Assembly - Pilot's metal RH (see Figure 98)	1	ABC
	734-183253							Lug Installation - Safety belt	1	ABC
	734-183253-1							Lug Installation - Safety belt	1	ABC
- 10	734-183256-16							Lug Assembly - Safety belt LH	1	ABC
	734-183256-17							Lug Assembly - Safety belt RH	1	ABC
- 11	644-183200							Lavatory - Compartment installation (see Figure 99)	1	ABC
- 12	404-183120							Floorboard Installation - Pilot's compartment (see Figure 100)	1	ABC
- 13	644-183300							Floorboard Installation - Cabin (see Figure 102)	1	A
- 14	644-183301							Floorboard Installation - Cabin (see Figure 102)	1	BC
- 15	644-183600							Panel Installation - First navigator's instrument (see Figure 103)	1	AB
- 16	644-183601							Panel Installation - Second navigator's instrument (see Figure 103)	1	AB

FIGURE and INDEX NUMBER	GROUP FURNISHINGS							Units Per Ass'y	Usage on Code	
	MAJOR ASSEMBLY CABIN FURNISHINGS INSTALLATION Cont'd.									
	PART NUMBER	1	2	3	4	5	6 7			NOMENCLATURE
94 - 17	644-180810							Unit Installation - Air mileage and position indicator (see Figure 103)	1	AB
- 18	644-180632							Tube Installation - Pilot's relief	1	AB
- 19	42A6504							Horn - Relief	1	AB
- 20	180632U-1							Tube - Relief	1	AB
- 21	180648P							Plate - Relief tube hose outlet	1	AB
- 22	AN931-10-14							Grommet - Elastic	1	AB
- 23	33B4741							Bracket - Relief horn mounting	1	AB
								Attaching Parts		
- 24	AN526-632-9							Screw - Truss head No. 6-32 x 9/16 in.	3	AB
	AN960-6							Washer - Plain No. 6	6	AB
	AN365-632							Nut - Self locking No. 6-32	3	AB
- 25	41A9177							Venturi - Pilot's relief tube	1	AB
								Attaching Parts		
	AN526-632-9							Screw - Truss head No. 6-32 x 9/16 in.	2	AB
	AN960-6							Washer - Plain No. 6	2	AB
	AN365-632							Nut - Self locking No. 6-32	2	AB
- 26	180654P							Grommet - Relief tube hose	2	AB
								Attaching Parts		
- 27	AN515-6-14							Screw - Round head No. 6-32 x 7/8 in.	4	AB
	AN960-6							Washer - Plain No. 6	4	AB
	AN365-632							Nut - Self locking No. 6-32	4	AB
- 28	644-183275							Driftmeter Installation - (Type B-3)	1	AB
- 29	AN5763-27							Driftmeter	1	AB
								Attaching Parts		
	AN515-DD8-20							Screw - Round head No. 8-32 x 1-3/8 in.	8	AB
	AN960-D8							Washer - Plain No. 8	8	AB
	AN364-D832							Nut - Self locking No. 8-32	8	AB
- 30	84-183276							Spacer - Driftmeter	4	AB
- 31	84-183277							Spacer - Driftmeter	4	AB
- 32	183123P							Plate - Driftmeter spacer	4	AB
- 33	84-183279							Plate - Driftmeter anti-rotating tongue	2	AB
- 34	AN8008-D8							Insulator - Vibration	8	AB
	AN501-B416-32							Screw - Fillister head 1/4-28 x 2 in.	4	AB
	AN515-B8-10							Screw - Round head No. 8-32 x 5/8 in.	8	AB
	AN515-B8-7							Screw - Round head No. 8-32 x 7/16 in.	24	AB
	AN960-B8							Washer - Brass No. 8	32	AB
	AN365-B832							Nut - Self locking No. 8-32	32	AB
	AN365-B428							Nut - Self locking 1/4-28	4	AB
- 35	84-183278							Plate - Driftmeter anti-vibration mount	1	AB
								Attaching Parts		
	AN520-B416-28							Screw - Round head 1/4 x 1-3/4 in.	4	AB
	AN960-B416							Washer - Plain 1/4 in.	4	AB
	AN365-B428							Nut - Self locking 1/4-28	4	AB

FIGURE and INDEX NUMBER	GROUP FURNISHINGS							Units Per Ass'y	Usage on Code	
	MAJOR ASSEMBLY CABIN FURNISHINGS INSTALLATION Cont'd.									
	PART NUMBER	1	2	3	4	5	6 7			NOMENCLATURE
94 - 36	84-183130							Cap - Driftrecorder retaining	1	AB
								Attaching Parts		
	AN526-832-10							Screw - Truss head No. 8-32 x 5/8 in.	3	AB
- 37	84-183128							Washer - Leather cap	2	AB
- 38	644-183160							Mount Installation - B-5 Driftrecorder	1	AB
- 39	No Number							Drift recorder - Type B-5 (specification 94-27402)	1	AB
- 40	644-183161							Mount Assembly - B-5 Driftrecorder	1	AB
								Attaching Parts		
	AN526-8R7							Screw - Truss head No. 8-32 x 7/16 in.	6	AB
- 41	644-183165							Cover Assembly - Side driftrecorder cutout	1	AB
								Attaching Parts		
	AN515-4-6							Screw - Round head No. 4-40 x 3/8 in.	1	AB
	AN960-4							Washer - Plain No. 4	1	AB
	AN365-440							Nut - Self locking No. 4-40	1	AB
- 42	644-180440							Shelf Installation - Equipment stowage	1	AB
								Attaching Parts		
	AN515-8R8							Screw - Round head No. 8-32 x 1/2 in.	6	AB
- 43	644-180441							Support - Shelf brace	1	AB
- 44	644-180442							Support - Shelf brace	1	AB
- 45	644-180444							Angle - Shelf top	1	AB
- 46	644-180445							Angle - Shelf top	1	AB
- 47	644-180443							Top - Shelf	1	AB
								Attaching Parts		
	AN515-8R18							Screw - Round head No. 8-32 x 1-1/8 in.	12	AB
	AN960-8L							Washer - Plain No. 8	12	AB
	AN365-832							Nut - Self locking No. 8-32	12	AB
- 48	644-180446							Bracket - Shelf	1	AB
								Attaching Parts		
	AN515-832R18							Screw - Round head No. 8-32 x 1-1/8 in.	7	AB
	AN960-8L							Washer - Plain No. 8	7	AB
	AN365-832							Nut - Self locking No. 8-32	7	AB
- 49	644-183391							Seat Assembly - Folding type	1	AB
- 50	644-183393							Cushion Assembly	1	AB
- 51	804-183394-1							Frame - Folding seat cushion	1	AB
	105774-C-090									
	-01300							Pin - Hinge	1	AB
- 52	804-183392							Leg Assembly - Folding seat upper	1	AB
- 53	804-183392-1							Leg Assembly - Folding seat upper	1	AB
								Attaching Parts		
- 54	AN3-11A							Bolt - Aircraft No. 10-32 x 1-1/8 in.	2	AB

FIGURE and INDEX NUMBER	GROUP FURNISHINGS							Units Per Ass'y	Usage on Code	
	MAJOR ASSEMBLY CABIN FURNISHINGS INSTALLATION Cont'd.									
	PART NUMBER	1	2	3	4	5	6 7			NOMENCLATURE
94 - 55	AN3-7A							Bolt - Aircraft No. 10-32 x 7/8 in.	2	AB
	AN960-10							Washer - Plain No. 10	4	AB
	AN365-1032							Nut - Self locking No. 10-32	4	AB
- 56	100801-S3-0750							Bushing - Upper leg	2	AB
- 57	804-183388							Spring - Fold seat latch	1	AB
- 58	804-183387							Latch - Folding seat	1	AB
								Attaching Parts		
	AN3-7A							Bolt - Aircraft No. 10-32 x 7/8 in.	1	AB
	AN960-10							Washer - Plain No. 10	1	AB
	AN365-1032							Nut - Self locking No. 10-32	1	AB
- 59	804-183393							Leg Assembly - Folding seat lower	2	AB
								Attaching Parts		
- 60	AN3-22A							Bolt - Aircraft No. 10-32 x 2-1/4 in.	2	AB
	100801-S3-2015							Bushing	2	AB
	AN960-10							Washer - Plain No. 10	2	AB
	AN365-1032							Nut - Self locking No. 10-32	2	AB
- 61	804-183385							Fitting Assembly - Folding seat floor	2	AB
- 62	404-187060							Lock Installation - Control	1	ABC
- 63	644-187050							Lock Assembly - Control	1	ABC
								Attaching Parts		
- 64	AN3-7A							Bolt - Aircraft No. 10-32 x 7/8 in.	1	ABC
	AN960-10							Washer - Plain No. 10	1	ABC
	AN365-1032							Nut - Self locking No. 10-32	1	ABC
- 65	100943-032									
	-014-200-6							Spring	1	ABC
- 66	404-187052							Plunger	2	ABC
- 67	404-187055							Lock - Rudder	1	ABC
- 68	404-187053							Tube - Control lock adjusting	1	ABC
								Attaching Parts		
	AN3-12A							Bolt - Aircraft No. 10-32 x 1-1/4 in.	1	ABC
	AN960-10							Washer - Plain No. 10	1	ABC
	AN365-1032							Nut - Self locking No. 10-32	1	ABC
- 69	107496							Screw - Control lock	2	ABC
- 70	187054							Screw - Control lock	1	ABC
	404-180052							Placard	1	ABC
- 71	404-187056							Terminal	1	ABC
- 72	824-187051							Lock Assembly - Control wheel	1	ABC
								Attaching Parts		
	AN3-7A							Bolt - Aircraft 1/4-28 x 1-1/4 in.	1	ABC
	AN960-10							Washer - Plain 1/4 in.	1	ABC
	AN365-1032							Nut - Self locking 1/4-28	1	ABC
- 73	404-187050-2							Tube - Control lock	1	AB

FIGURE and INDEX NUMBER	GROUP FURNISHINGS							Units Per Ass'y	Usage on Code	
	MAJOR ASSEMBLY CABIN FURNISHINGS INSTALLATION Cont'd.									
	PART NUMBER	1	2	3	4	5	6 7			NOMENCLATURE
94 - 74	644-180420							Box Assembly - Flare cartridge stowage	1	AB
								Attaching Parts		
	AN545-8R4							Screw - Recessed head No. 8-32 x 1/4 in.	4	AB
- 75	84-183520							Map Case	1	AB
								Attaching Parts		
	AN526-832R16							Screw - Truss head No. 8-32 x 1 in.	4	AB
- 76	12-3A							Extinguisher Fire - Water Glycol	2	ALL
- 77	AN5525-1							Bulb - Thermometer	2	AB
- 78	644-180642							Cover Assembly - Free air temperature bulb	2	AB
	111503-0906									
	-062							Ring	2	AB
- 79	644-183298							Provisions Installation - Shoulder harness	1	AB
- 80	644-183282							Guide - Shoulder harness channel	1	AB
	644-183282-1							Guide - Shoulder harness channel	1	AB
								Attaching Parts		
	AN526-832R6							Screw - Brazier head No. 8-32 x 3/8 in.	8	AB
- 81	644-183298-6							Reel Assembly - Pilot's LH (Forward of bulkhead 5)	1	AB
	644-183298-8							Reel Assembly - Pilot's RH (Forward of bulkhead 5)	1	AB
	0-3903-25							Cable - Inertia reel (A.S.C.)	2	AB
	644-183281							Plate - Reel	2	AB
								Attaching Parts		
	AN3-6A							Bolt - Aircraft No. 10-32 x 3/4 in.	8	AB
	AN526-832R7							Screw - Truss head No. 8-32 x 7/16 in.	4	AB
	AN960-8							Washer - Plain No. 8	4	AB
	AN960-10							Washer - Plain No. 10	8	AB
	AN365-832							Nut - Self locking No. 8-32	4	AB
	AN365-1032							Nut - Self locking No. 10-32	8	AB
	644-180641							Door - Reel inspection	1	AB
	644-180641-1							Door - Reel inspection	1	AB
								Attaching Parts		
	AN526-832R12							Screw - Truss head No. 8-32 x 3/4 in.	4	AB
	100696-DZC-005							Spacer	4	AB
	644-183284							Bracket - Inertia reel control support	1	AB
								Attaching Parts		
	AN526-832R8							Screw - Truss head No. 8-32 x 1/2 in.	2	AB

Revised 30 Oct 64

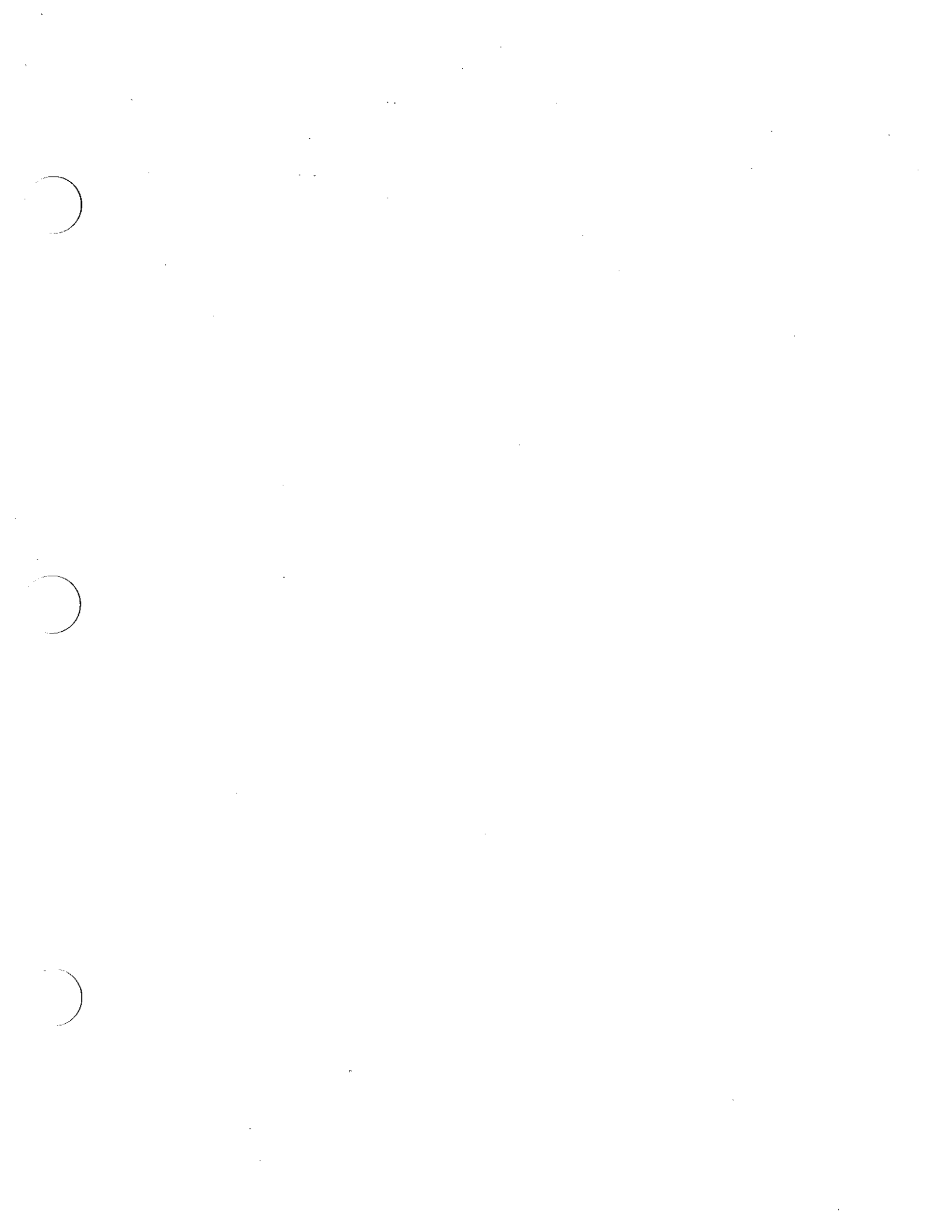
FIGURE and INDEX NUMBER	GROUP FURNISHINGS							Units Per Ass'y	Usage on Code	
	MAJOR ASSEMBLY CABIN FURNISHINGS INSTALLATION Cont'd.									
	PART NUMBER	1	2	3	4	5	6 7			NOMENCLATURE
94 - 81	AN960-8							Washer - Plain No. 8	2	AB
	AN365-832							Nut - Self locking No. 8-32	2	AB
	644-183285							Support - Control	1	AB
	Attaching Parts									
	AN526-832R8							Screw - Truss head No. 8-32 x 1/2 in.	2	AB
	AN960-8							Washer - Plain No. 8	2	AB
	AN365-832							Nut - Self locking No. 8-32	2	AB
	187247							Stop - Follow-up cable	2	AB
	Attaching Parts									
	AN500A6-3							Screw - Fillister head No. 6-32 x 3/16 in.	2	AB
- 82	39D3922							Holder	1	ABC
- 83	644-180082							List - Check	1	ABC
- 84	404-183039							Rest Assembly - Arm	2	ABC
- 85	AN-M8							Pistol - Pyrotechnic	1	ABC
	M1							Mount - Pistol	1	ABC
	Attaching Parts									
	AN520-10R10							Screw - Round head No. 10-32 x 5/8 in.	4	ABC
	AN960-10L							Washer - Plain No. 10	4	ABC
	AN365-1032							Nut - Self locking No. 10-32	4	ABC
	109636-10							Cover - Cloth	1	ABC
- 86	644-180419							Holder Assembly - Pistol	1	ABC
	Attaching Parts									
	AN515-8R18							Screw - Round head No. 8-32 x 1-1/8 in.	2	ABC
	AN515-8R10							Screw - Round head No. 8-32 x 5/8 in.	1	ABC
	AN960-8L							Washer - Plain No. 8	3	ABC
	AN365-832							Nut - Self locking No. 8-32	3	ABC
	644-180421							Spacer - Pistol holder attaching	1	ABC
- 87	L1148							Tray - Ash (MIM)	5	ABC
	Attaching Parts									
	AN526-632R6							Screw - Truss head No. 6-32 x 3/8 in.	2	ABC
	AN365-632							Nut - Self locking No. 6-32	2	ABC
- 88	404-185662							Cover Assembly - Emergency exit release	1	ABC
	Attaching Parts									
	AN526-632R8							Screw - Truss head No. 6-32 x 1/2 in.	2	ABC
	AN960-A6L							Washer - Plain No. 6	2	ABC
	404-180059							Placard - Emergency exit protection cover	1	ABC
- 89	404-180643							Strap Installation - Nose baggage retainer	1	ABC
- 90	111191-024-08							Strap - Nose baggage	1	ABC
- 91	111191-030-08							Strap - Nose baggage	1	ABC
- 92	111192-024-08							Strap - Nose baggage	1	ABC
- 93	111192-030-08							Strap - Nose baggage	1	ABC



Figure and Index Number	Group FURNISHINGS							Units per Assy	Usage on Code		
	Major Assembly CABIN FURNISHINGS INSTALLATION Cont'd										
	Part	1	2	3	4	5	6			7	Nomenclature
94 - 93	6411B								Loop - Footman	4	ABC
- 94	644-183426								Case Assembly - Navigator's equipment	2	AB
									Attaching Parts		
	AN515-8R7								Screw - Round head No. 8-32 x 1-3/4 in.	4	AB
	AN960-8L								Washer - Plain No. 8	4	AB
	AN365-832								Nut - Self locking No. 8-32	4	AB
- 95	644-180403								Rack Assembly - Drift flares	2	AB
									Attaching Parts		
	AN520-10R8								Screw - Round head No. 10-32 x 1/2 in.	4	AB
	AN960-10								Washer - Plain No. 10	4	AB
- 96	84-180579								Clip - Drift flare	6	AB
									Attaching Parts		
	AN526-832-R-7								Screw - Truss head No. 8-32 x 7/16 in.	12	AB
	AN365-832								Nut - Self locking No. 8-32	12	AB
- 97	734-183868								Cord Assembly - Parachute stowage	3	AB
	#93								Hook - Aluminum (CRB)	6	AB
									Attaching Parts		
	AN526-832R9								Screw - Truss head No. 8-32 x 9/16 in.	12	AB
- 98	404-183290								Rail Assembly - Cabin door	1	ABC
									Attaching Parts		
	NAS87-1032-8P								Screw - Oval head No. 10-32 x 1/2 in.	4	ABC
- 99	404-184063								Threshold - Cabin door (see Figure 18)	Ref	ABC
- 100	26JU/644-183019								Curtain	1	AB
	26JU/644-183016								Tie Back	1	AB
									Attaching Parts		
	AN227-8B								Stud	12	AB
	AN960-6								Washer	12	AB
	AN515-6R7								Screw	12	AB
	AN365-632								Nut	12	AB
- 101	26JU/644-183023								Curtain Assembly	1	C
	26JU/894-183016								Curtain Tie Back Assembly	1	C
	26JU/404-183021-1								Strip Tacking	1	C
	26JU/404-183022-2								Strip Tacking	1	C
	26JU/404-183022-3								Strip tacking	1	C

Figure and Index Number	Group FURNISHINGS							Units per Assy	Usage on Code			
	Major Assembly CABIN FURNISHINGS INSTALLATION Cont'd											
	Part	1	2	3	4	5	6			7	Nomenclature	
94 - 101	26JU/644-183003-104	.	.	.	.	.	.	.	Plastic Retaining Strip	1	C	
	26JU/644-183003-105-134	.	.	.	.	.	.	.	Moulding Snap It Trim	1	C	
	26JU/644-183003-108	.	.	.	.	.	.	.	Tab Assembly	7	C	
	26JU/644-183003-110	.	.	.	.	.	.	.	Tab Slide	7	C	
	Attaching Parts											
	AN507-440-18	.	.	.	.	.	.	.	.	Screw	9	C
	AN960-4	.	.	.	.	.	.	.	.	Washer	9	C
	AN365-440	.	.	.	.	.	.	.	.	Nut	9	C
	AN227-8B	.	.	.	.	.	.	.	.	Stud	12	C
	AN227-9B	.	.	.	.	.	.	.	.	Eyelet	9	C
	NAS 388-6	.	.	.	.	.	.	.	.	Screw	1	C
	NAS 390-6	.	.	.	.	.	.	.	.	Washer	1	C
	AN 507-632	.	.	.	.	.	.	.	.	Screw	3	C
	AN 366-F632	.	.	.	.	.	.	.	.	Nutplate	4	C





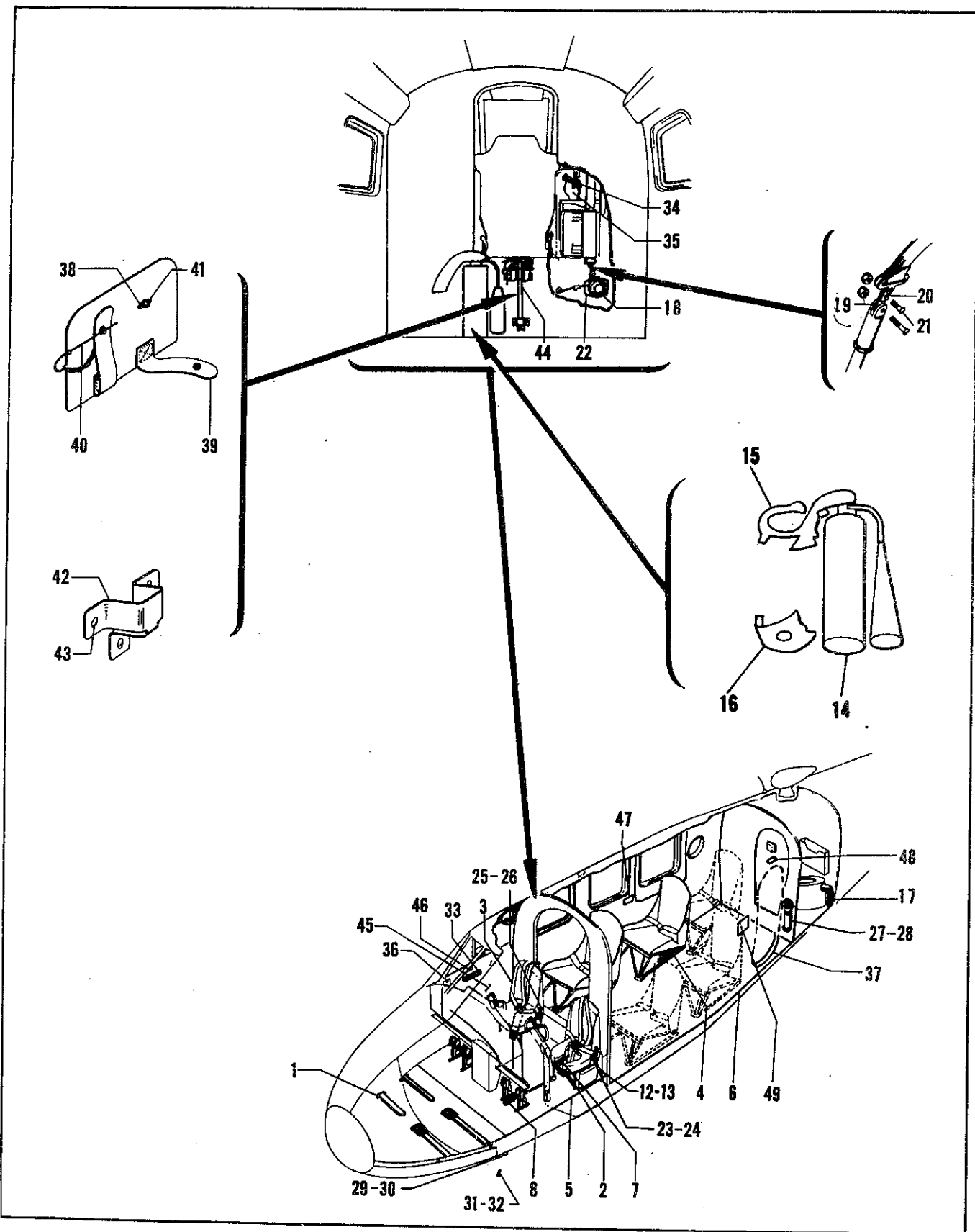


Figure 95 (Issue 1) Cabin Furnishings Installation

FIGURE and INDEX NUMBER	GROUP FURNISHINGS		Units Per Ass'y	Usage on Code
	MAJOR ASSEMBLY CABIN FURNISHINGS INSTALLATION			
	PART NUMBER	1 2 3 4 5 6 7 NOMENCLATURE		
95 -	5MBA13560	Furnishings Installation - Cabin (See Figure 1)	Ref	D
- 1	404-180643	Strap Installation - Nose baggage retainer	1	D
	111191-024-08	Strap - Nose baggage	1	D
	111192-030-08	Strap - Nose baggage	1	D
	111192-024-08	Strap - Nose baggage	1	D
	111192-030-08	Strap - Nose baggage	1	D
	6411B	Loop - Footman	4	D
- 2	734-183297	Seat Assembly - Pilot's metal LH (See Figure 98)	1	D
- 3	734-183297-1	Seat Assembly - Pilot's metal RH (See Figure 98)	1	D
- 4	2MBA3641	Seat Assembly - Cabin (See Figure 104)	2	D
	2MBA3641-1	Seat Assembly - Cabin rear (See Figure 104)	1	D
- 5	404-183120	Floorboard Installation - Pilot's compartment (See Figure 100)	1	D
- 6	824-183100	Floorboard Installation - Cabin (See Figure 102)	1	D
- 7	644-180632	Tube Installation - Pilot's relief (For detailed drawing see Figure 94)	1	D
	AN3018-1	Horn Relief	1	D
	180632U-1	Tube - Relief	1	D
	180648P	Plate - Relief Tube hose outlet	1	D
	AN931-10-14	Grommet - Elastic	1	D
	33B4741	Bracket - Relief horn mounting	1	D
	Attaching Parts			
	AN526-632-9	Screw - Truss head No. 6-32 x 9/16 in.	3	D
	AN960-6	Washer - Plain No. 6	6	D
	AN365-632	Nut - Self locking No. 6-32	3	D
	41A9177	Venturi - Pilot's relief tube	1	D
	Attaching Parts			
	AN526-632-9	Screw - Truss head No. 6-32 x 9/16 in.	2	D
	AN960-6	Washer - Plain No. 6	2	D
	AN365-632	Nut - Self locking No. 6-32	2	D
	180654P	Grommet - Relief tube hose	2	D
	Attaching Parts			
	AN515-6-14	Screw - Round head No. 6-32 x 7/8 in.	4	D
	AN960-6	Washer - Plain No. 6	4	D
	AN365-632	Nut - Self locking No. 6-32	4	D
- 8	404-187060	Lock Installation - Control	1	D
	604-187050	Lock Assembly	1	D
	Attaching Parts			
	AN3-7A	Bolt - Aircraft No. 10-32-7/8 in.	1	D
	AN960-10	Washer - Plain No. 10	1	D
	AN365-1032	Nut - Self locking No. 10-32	1	D
	100943-032-014			
	-200-6	Spring	1	D
	404-187052	Plunger	2	D

FIGURE and INDEX NUMBER	GROUP FURNISHINGS							Units Per Ass'y	Usage on Code		
	MAJOR ASSEMBLY CABIN FURNISHINGS INSTALLATION Cont'd										
	PART NUMBER	1	2	3	4	5	6 7			NOMENCLATURE	
95 -	404-187055							Lock - Rudder	1	D	
	404-187053							Tube - Control lock adjuster	1	D	
	Attaching Parts										
	AN3-12A							Bolt - Aircraft No. 10-32 x 1-1/4 in.	1	D	
	AN960-10							Washer - Plain No. 10	1	D	
	AN365-1032							Nut - Self locking No. 10-32	1	D	
	107496							Screw - Control Lock	2	D	
	187054							Screw - Control lock	1	D	
	404-180052							Placard	1	D	
	404-187056							Terminal	1	D	
	824-187051							Lock Assembly - Control wheel	1	D	
	Attaching Parts										
	AN3-7A							Bolt - Aircraft 1/4 x 28 x 1-1/4 in.	1	D	
	AN960-10							Washer - Plain 1/4 in.	1	D	
	AN365-1032							Nut - Self locking 1/4 x 28	1	D	
	404-187050-2							Tube - Control lock	1	D	
- 9	DELETED										
- 10	Attaching Parts										
- 11	DELETED										
- 12	734-183253							Lug Installation - Safety belt	1	D	
	734-183253-1							Lug Installation - Safety belt	1	D	
- 13	734-183256-16							Lug Assembly - Safety belt LH	1	D	
	734-183256-17							Lug Assembly - Safety belt RH	1	D	
- 14	870883							* Extinguisher Fire - CO2	1	ALL	
- 15	AN6046-1							Bracket Upper	1	ALL	
	Attaching Parts										
- 16	27N/10144							Bracket Lower	1	ALL	
- 17	183200							Lavatory - Compartment installation (See Figure 99)	1	D	
- 18	(Refer Figure 94 Item 81)										
- 19	734-183298-18							Link - Harness	1	D	
	Attaching Parts										
	AN23-11A							Bolt - Clevis No. 10-32 x 3/4 in.	1	ALL	

FIGURE and INDEX NUMBER	GROUP FURNISHINGS							Units Per Ass'y	Usage on Code	
	MAJOR ASSEMBLY CABIN FURNISHINGS INSTALLATION Cont'd.									
	PART NUMBER	1	2	3	4	5	6 7			NOMENCLATURE
95 -	AN364-1032							Nut - Self locking No. 10-32	1	ALL
- 20	734-183298-20							Link - Harness	1	D
								Attaching Parts		
- 21	AN23-9A							Bolt - Clevis No. 10-32 x 5/8 in.	1	ALL
	AN364-1032							Nut - Self locking No. 10-32	1	ALL
- 22	734-183298-8							Plate Assembly - Mounting (LH only)	1	D
								Attaching Parts		
	AN509-10-11							Screw	4	ALL
- 23	734-183298-42							Plate - Control handle mounting (RH only)	1	D
								Attaching Parts		
- 24	AN526-832R8							Screw - Truss head No. 8-32 x 1/2 in.	3	ALL
- 25	734-183298-40							Plate - Control handle mounting (LH only)	1	D
								Attaching Parts		
- 26	AN526-1032R9							Screw - Truss head No. 10-32 x 9/16 in.	4	ALL
	AN960-10L							Washer - Plain No. 10	4	ALL
	AN365-1032							Nut - Self locking No. 10-32	4	ALL
- 27	412-3A							Extinguisher - Water Glycol	1	ALL
								Attaching Parts		
- 28	AN526-832-10							Screw - Truss head No. 8-32 x 5/8 in.	4	D
	AN960-8							Washer - Plain No. 8	4	D
	AN365-832							Nut - Self locking No. 8-32	4	D
- 29	AN5525-1							Bulb - Thermometer	1	D
- 30	644-180642							Cover Assembly - Free air temperature bulb	1	D
	AN960-1016L							Washer - Plain No. 10	1	D
- 31	644-180643							Plate - Safety	1	D
								Attaching Parts		
- 32	AN515-8R8							Screw - Round head No. 10-32 x 1/2 in.	1	ALL
	AN960-8							Washer - Plain No. 8	1	ALL
	AN365-832							Nut - Self locking No. 8-32	1	ALL
- 33	404-183039							Rest Assembly - Arm	2	D
- 34	AN-M8							Pistol - Pyrotechnic	1	D
	7B/732							Mount - Pistol	1	D
								Attaching Parts		
	AN520-10R10							Screw - Round head No. 10-32 x 5/8 in.	4	ALL
	AN960-10L							Washer - Plain No. 10	4	ALL
	AN365-1032							Nut - Self locking No. 10-32	4	ALL
- 35	644-180419							Holder Assembly - Pistol (Ref RCAF 7B/731)	1	D
								Attaching Parts		
	AN515-8R18							Screw - Round head No. 8-32 x 1-1/8 in.	2	ALL

\* Refer EO 05-45B-6A/61

420, Pressurized Fire Ext.

Revised 30 Oct 64

FIGURE and INDEX NUMBER	GROUP FURNISHINGS							Units Per Ass'y	Usage on Code	
	MAJOR ASSEMBLY CABIN FURNISHINGS INSTALLATION Cont'd.									
	PART NUMBER	1	2	3	4	5	6 7			NOMENCLATURE
95 - 35	AN515-8R10							Screw - Round head No. 8-32 x 5/8 in.	1	ALL
	AN960-8L							Washer - Plain No. 8	3	ALL
	AN365-832							Nut - Self locking No. 8-32	3	ALL
- 36	644-180421							Spacer - Pistol holder	1	D
	L1148							Ash Tray - (MIM)	2	D
	404-183731							Protector plate - Cabin ash tray OR	2	D
	111-84019							Protector Plate - Cabin ash tray	2	D
	Attaching Parts									
	AN526-632R6							Screw - Truss head No. 6-32 x 3/8 in.	2	ALL
	AN365-632							Nut - Self locking No. 6-32	2	ALL
- 37	404-184063							Threshold - Cabin door (see Figure 18)	Ref	ALL
	4MBA13219							Axe Installation - Crash	1	ALL
	3MBA13218							Scabbard Assembly - Crash axe	1	ALL
	Attaching Parts									
- 38	AN515-6-R8							Screw - Round head No. 6-32 x 1/2 in.	4	ALL
- 39	3MBA13218-6							Scabbard Assembly - Top	1	ALL
- 40	3MBA13218-7							Pin Assembly - Scabbard	1	ALL
- 41	3MBA13218-8							Stud - Scabbard	2	ALL
- 42	3MBA13217-2							Socket - Crash axe handle	1	ALL
	Attaching Parts									
- 43	AN515-6R8							Screw - Round head No. 6-32 x 1/2 in.	4	ALL
- 44	21F/1							Axe - Crash (RCAF P/N)	1	ALL
- 45	4MBA6888							Upholstery Installation - Pilot's compartment	2	D
	4MBA6885-6							Frame - Pilot's upholstery LH and RH	2	D
	4MBA6885-5							Frame - Pilot's upholstery LH	1	D
	4MBA6885-7							Frame - Pilot's upholstery RH	1	D
	4MBA6885-4							Frame - Pilot's upholstery LH and RH	2	D
	4MBA6885-2							Frame - Pilot's upholstery LH	1	D
	4MBA6885-3							Frame - Pilot's upholstery RH	1	D
	Attaching Parts									
	AN526-832-16							Screw - Truss head No. 8-32 x 1 in.	14	ALL
	AN526-832-24							Screw - Truss head No. 8-32 x 1-1/2 in.	14	ALL
	AN960-8							Washer - Plain No. 8	18	ALL
	AN365-832							Nut - Self locking No. 8-32	18	ALL
	4MBA6886							Panel Assembly - Upholstery LH	1	D
	4MBA6886-1							Panel Assembly - Upholstery RH	1	D
	Attaching Parts									
	No Number							Screw - Oval head recess No. 6 x 1/2 in. (type A)	15	ALL
	601-6							Washer - Upholstery	15	ALL
	AN940-9							Washer - Plain No. 9	15	ALL



FIGURE and INDEX NUMBER	GROUP FURNISHINGS							Units Per Ass'y	Usage on Code	
	MAJOR ASSEMBLY CABIN FURNISHINGS INSTALLATION Cont'd.									
	PART NUMBER	1	2	3	4	5	6 7			NOMENCLATURE
95 - 46	2MBA6686-2							Placard - Heater control LH	1	D
	2MBA6686-1							Placard - Heater control RH	1	D
- 47	2MBA4806							Placard - Emergency door releases	1	D
- 48	2MBA4020							Placard - Exit	1	D
- 49	2MBA4017							Placard - Emergency hatch release	1	D
<p>* Normally A/C is equipped with 2 seats RH side only. when A/C is used for transport role - 2 additional 2MBA3641 Seat Assemblies are installed on LH side of cabin and 1 additional 2MBA3641-1 Seat Assembly rear.</p> <p>** Modification changes on 824-183100 Installation for 3T aircraft incorporated on Installation drawing 5MBA13560.</p>										

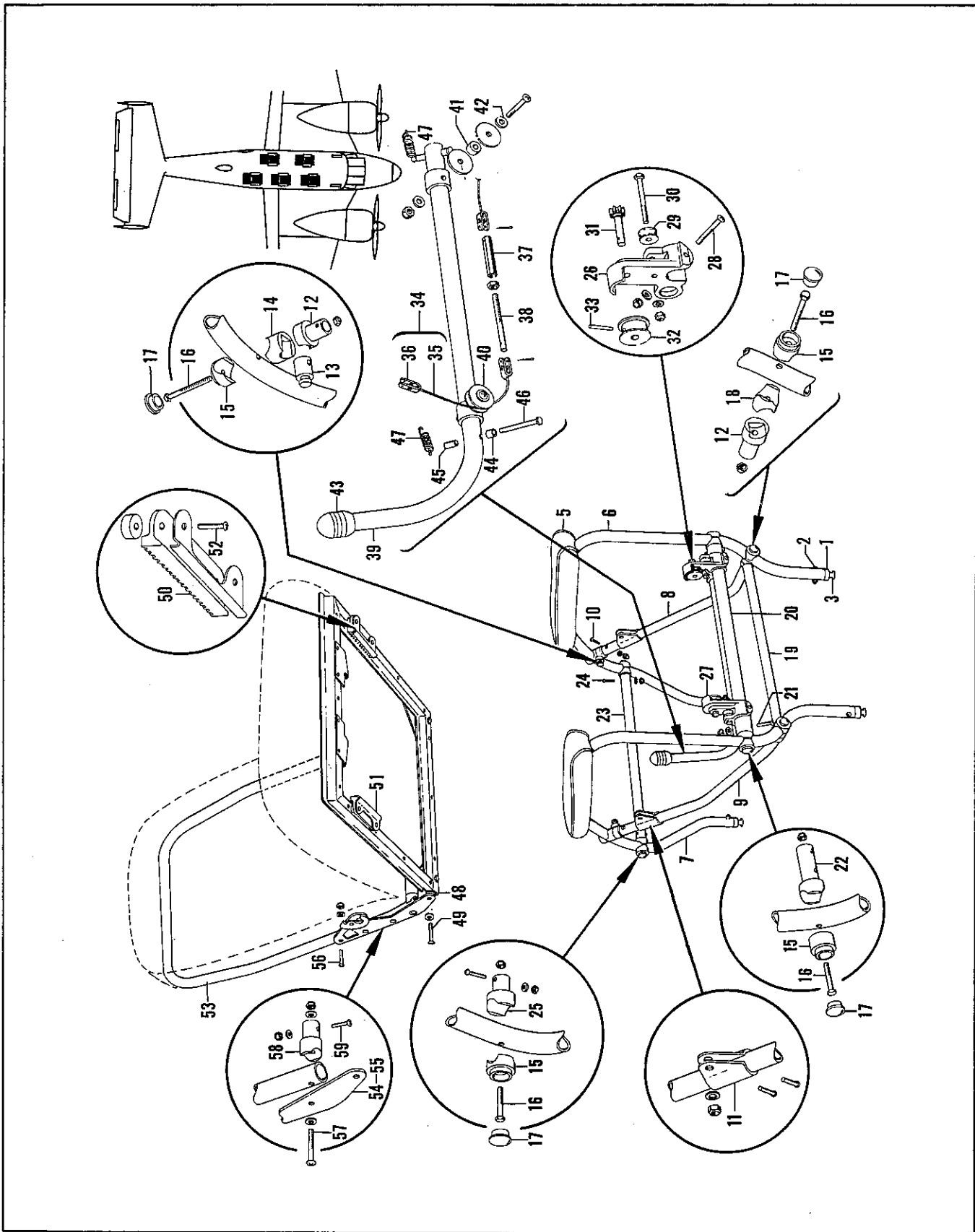


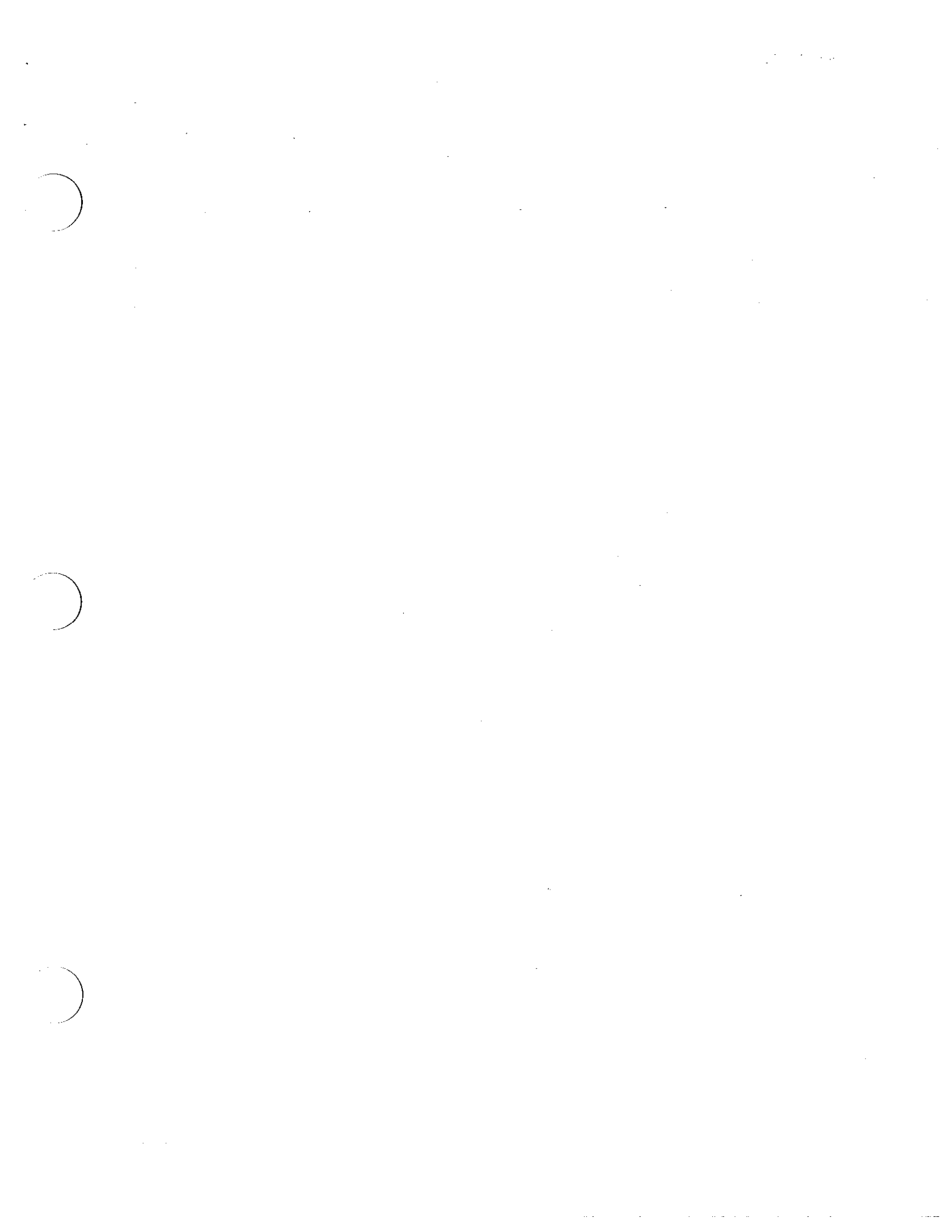
Figure 96. Cabin Chair Reclining

FIGURE and INDEX NUMBER	GROUP FURNISHINGS							Units Per Ass'y	Usage on Code		
	MAJOR ASSEMBLY CABIN CHAIR FURNISHINGS										
	PART NUMBER	1	2	3	4	5	6 7			NOMENCLATURE	
96 -	644-183377-7	Chair Assembly	-	Passenger reclining forward LH upholstered green (see Figure 94)					Ref	B	
	644-183377-1	Chair Assembly	-	Passenger reclining forward LH upholstered blue (see Figure 94)					Ref	C	
	644-183377-8	Chair Assembly	-	Passenger reclining forward and center RH (see Figure 94) upholstered green					Ref	B	
	644-183377-2	Chair Assembly	-	Passenger reclining forward and center RH (see Figure 94) upholstered blue					Ref	C	
	644-183377-9	Chair Assembly	-	Passenger reclining aft LH upholstered green (see Figure 94)					Ref	B	
	644-183377-3	Chair Assembly	-	Passenger reclining aft LH upholstered blue (see Figure 94)					Ref	C	
	644-183377-10	Chair Assembly	-	Passenger reclining aft RH upholstered green (see Figure 94)					Ref	B	
	644-183377-4	Chair Assembly	-	Passenger reclining aft RH upholstered blue (see Figure 94)					Ref	C	
	- 1	404-180237SA2	Lug	-	Reclining chair mount - Forward LH and RH chairs (4 per chair)					16	BC
		404-180237SA4	Lug	-	Reclining chair mount - Rear legs of aft chairs (2 per chair)					4	BC
404-180237SA6		Lug	-	Reclining chair mount - Front legs of aft chairs (2 per chair)					2	BC	
404-180237-8		Lug	-	Reclining chair mount - Rear legs of aft chairs (2 per chair)					2	BC	
		Attaching Parts									
- 2	AN525-416R-22	Screw	-	Washer head 1/4-28 x 1-3/8 in.					4	ALL	
	AN960-0416	Washer	-	Plain 1/4 in.					4	ALL	
	AN364-428	Nut	-	Self locking 1/4-28					4	ALL	
- 3	295351-3-5	Stud	-	Lug (UC)					4	BC	
- 4	404-183302-200	Chair Assembly	-	Passenger reclining LH					2	BC	
	404-183302-201	Chair Assembly	-	Passenger reclining RH					3	BC	
	404-183302-100	Base Assembly	-	Reclining chair LH					1	BC	
	404-183302-101	Base Assembly	-	Reclining chair RH					1	BC	
- 5	404-183369	Frame Assembly	-	Chair arm rest					2	BC	
- 6	404-183302-30	Arm	-	Reclining chair LH					1	BC	
- 7	404-183302-31	Arm	-	Reclining chair RH					1	BC	
- 8	404-183302-28	Brace	-	Reclining chair LH					1	BC	
- 9	404-183302-27	Brace	-	Reclining chair RH					1	BC	
	Attaching Parts										
- 10	NAS221-19	Screw	-	Truss head No. 10-32 x 1-3/16 in.					4	ALL	
	AN960-10	Washer	-	Plain No. 10					4	ALL	
	AN365-1032	Nut	-	Self locking No. 10-32					4	ALL	
- 11	404-183389	Fitting	-	Brace					2	BC	
	Attaching Parts										

FIGURE and INDEX NUMBER	GROUP FURNISHINGS							Units Per Ass'y	Usage on Code	
	MAJOR ASSEMBLY CABIN CHAIR FURNISHINGS Cont'd.									
	PART NUMBER	1	2	3	4	5	6 7			NOMENCLATURE
96 - 11	AN530-8-6							Screw - Round head No. 8-3/8 in.	4	ALL
- 12	404-183302-9							Fitting - Brace	4	BC
- 13	404-183302-17							Pivot - Brace	2	BC
- 14	404-183302-11							Fitting - Brace	2	BC
- 15	404-183302-6							Clamp	8	BC
	Attaching Parts									
- 16	AN4-22A							Bolt - Aircraft 1/4-28 x 2-1/4 in.	8	ALL
	AN365-428							Nut - Self locking 1/4 in.	8	ALL
- 17	404-183302-3							Plug	8	BC
- 18	404-183302-8							Fitting - Brace LH	1	BC
	404-183302-7							Fitting - Brace RH	1	BC
- 19	404-183302-25							Spreader - Front	1	BC
- 20	404-183302-24							Spreader - Front	1	BC
	Attaching Parts									
- 21	AN525-10R26							Screw - Washer head No. 10-32 x 1-5/8 in.	2	ALL
	AN960-10							Washer - Plain No. 10	2	ALL
	AN365-1032							Nut - Self locking No. 10-32	2	ALL
- 22	404-183302-4							Fitting - Front spreader	2	BC
- 23	404-183302-29							Spreader - Rear	1	BC
	Attaching Parts									
- 24	NAS221-19							Screw - Truss head No. 10-32 x 1-7/32 in.	2	ALL
	AN960-10							Washer - Plain No. 10	2	ALL
	AN365-1032							Nut - Self locking No. 10-32	2	ALL
- 25	404-183302-1							Fitting - Rear spreader	2	BC
- 26	404-183347							Fitting Assembly - Reclining chair back adjustment LH	1	BC
- 27	404-183347-1							Fitting Assembly - Reclining chair back adjustment RH	1	BC
	Attaching Parts									
- 28	NAS221-34							Screw - Truss head No. 10-32 x 2-5/32 in.	2	ALL
	AN960-10							Washer - Plain No. 10	2	ALL
	AN365-1032							Nut - Self locking No. 10-32	2	ALL
- 29	404-183302-12							Roller - Reclining chair back adjustment	2	BC
	Attaching Parts									
- 30	AN3-21A							Bolt - Aircraft No. 10-32 x 2-1/8 in.	2	ALL
	AN960-10							Washer - Plain No. 10	2	ALL
	AN365-1032							Nut - Self locking No. 10-32	2	ALL
- 31	404-183302-38							Pinion Assembly - Reclining chair adjustment	2	BC
- 32	404-183365							Sheave - Reclining chair adjustment	2	BC
- 33	102809-A128									
	-100							Pin - Sheave	2	BC
- 34	404-183366							Cable Assembly - Reclining chair adjustment	2	BC

FIGURE and INDEX NUMBER	GROUP FURNISHINGS							Units Per Ass'y	Usage on Code		
	MAJOR ASSEMBLY CABIN CHAIR FURNISHINGS Cont'd.										
	PART NUMBER	1	2	3	4	5	6			7	NOMENCLATURE
96 - 35	404-183366-2								Cable	1	BC
- 36	404-183302-39								Clip - Cable	1	BC
- 37	404-183302-21								Barrel - Cable connecting	1	BC
- 38	404-183302-37								Pin - Barrel	1	BC
	AN345-10								Nut - Hexagon No. 10-32	1	BC
	AN380-2-2								Pin - Cotter 1/16 x 1/2 in.	2	BC
- 39	404-183302-26								Lever - Reclining chair adjustment	1	BC
- 40	404-183302-14								Stop - Reclining chair adjustment	1	BC
- 41	100951-X-040										
	-007-100								Washer - Cable clamp	2	BC
- 42	100951-X-125										
	-007-016								Washer - Cable clamp	2	BC
	Attaching Parts										
	AN525-10R26								Screw - Washer head No. 10-32 x 1-5/8 in.	2	ALL
	AN960-10								Washer - Plain No. 10	2	ALL
	AN365-1032								Nut - Self locking No. 10-32	2	ALL
- 43	404-183302-40								Knob - Chair lever	1	BC
- 44	102933-D4-										
	0250-0468								Spacer - Lever	2	BC
- 45	102933-D4-										
	0312-0281								Spacer - Lever	2	BC
- 46	AN393-47								Pin - Flat head 3/16 x 1-49/64 in.	2	BC
- 47	100942-062-010										
	-028-14								Spring - Pin	2	BC
- 48	404-183302-175								Bottom Assembly - Reclining chair	1	BC
	Attaching Parts										
- 49	NAS221-14								Screw - Truss head No. 10-32 x 7/8 in.	2	ALL
	AN960-10								Washer - Plain No. 10	2	ALL
- 50	404-183349								Rack - Reclining chair adjustment	1	BC
- 51	404-183349-1								Rack - Reclining chair adjustment	1	BC
	Attaching Parts										
- 52	AN520-10-12								Screw - Round head No. 10-32 x 3/4 in.	2	ALL
	100951-DD										
	-187-006								Washer	2	ALL
- 53	404-183302-150								Back Assembly - Reclining chair	1	BC
- 54	404-183367								Catch Assembly - Reclining chair back attachment	1	BC
- 55	404-183367-1								Catch Assembly - Reclining chair back attachment	1	BC
	Attaching Parts										
- 56	NAS221-26								Screw - Truss head No. 10-32 x 1-1/2 in.	6	ALL
- 57	NAS221-23								Screw - Truss head No. 10-32 x 1-7/16 in.	2	ALL
	AN960-10								Washer - Plain No. 10	6	ALL
	AN960-416								Washer - Plain 1/4 in.	2	ALL
	AN365-1032								Nut - Self locking No. 10-32	8	ALL

Figure and Index Number	Group FURNISHINGS							Units per Assy	Usage on Code	
	Major Assembly CABIN CHAIR FURNISHINGS Cont'd									
	Part	1	2	3	4	5	6 7			Nomenclature
96 - 58	404-183352	.	.	.	.	.	.	Plug - Tube Attachment	2	BC
		.	.	.	.	.	.	Attaching Parts		
- 59	NAS221-23	.	.	.	.	.	.	Screw - Truss head No. 10-32 x 1-7/16 in.	2	ALL
	AN960-10	.	.	.	.	.	.	Washer - Plain No. 10	2	ALL
	AN365-1032	.	.	.	.	.	.	Nut - Self locking No. 10-32	2	ALL
	M7500M13B23T27-490	.	.	.	.	.	.	Belt - Aircraft safety - lap (Ref. 1680-21-803-2602)	1	BC



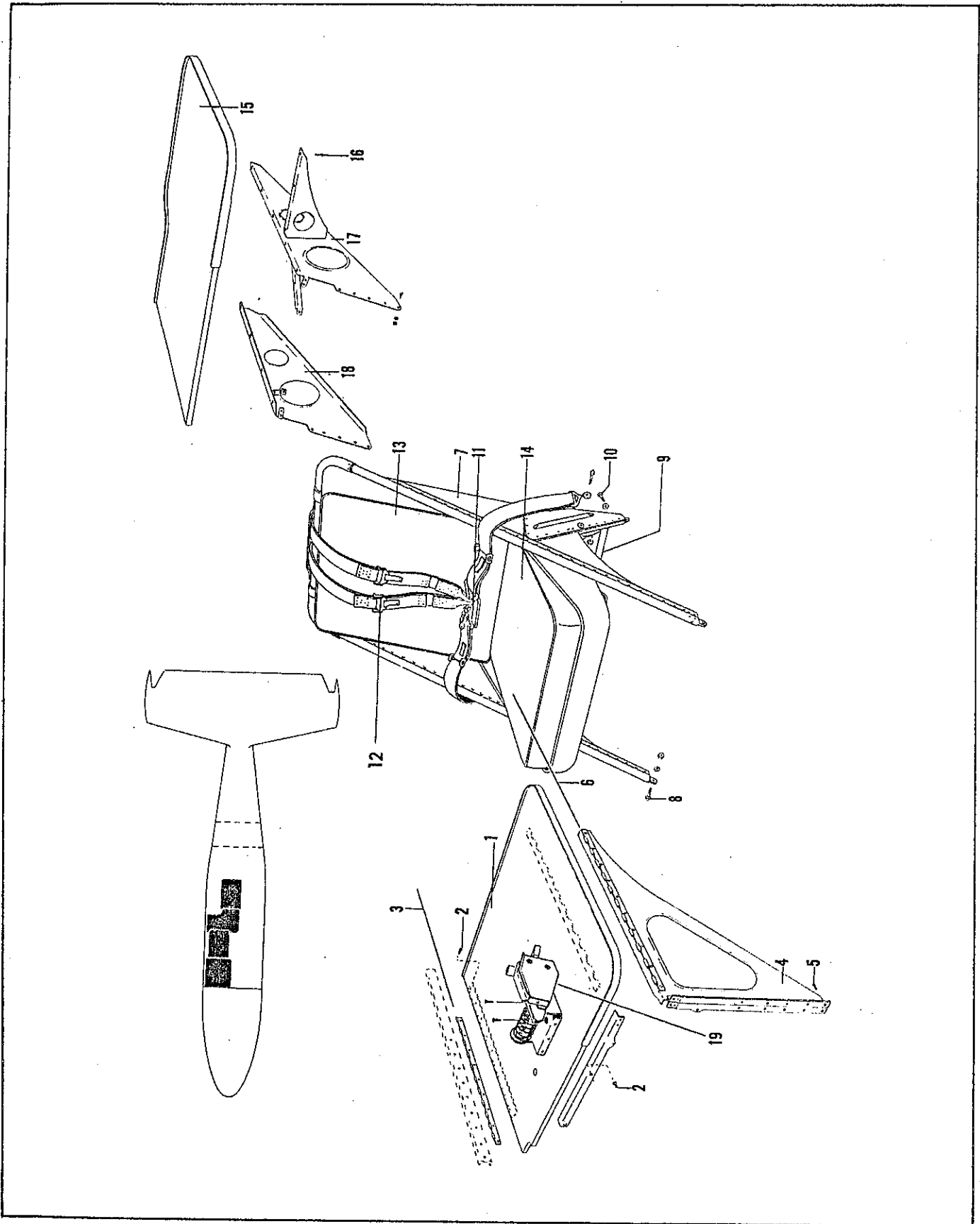


Figure 97 (Issue 1) Cabin Chair and Table Installation



Figure and Index Number	Group FURNISHINGS						Units per Assy	Usage on Code
	Major Assembly		CABIN FURNISHINGS INSTALLATIONS					
	Part	1	2	3	4	5 6 7		
97 -	644-180635	Table - First Navigator's station installation (See Figure 94)					Ref.	AB
- 1	644-180636	Table Assembly					1	AB
	Attaching Parts:							
- 2	AN526-832R8	Screw - Truss head No. 8-32 x 1/2 in.					11	AB
- 3	644-180635-8	Pin - Hinge					1	AB
- 4	644-180638	Bracket Assembly					1	AB
	Attaching Parts:							
- 5	AN526-832R8	Screw - Truss head No. 8-32 x 1/2 in.					10	AB
- 6	644-180635-6	Pin - Hinge					1	AB
- 7	644-183302	Seat Assembly - High strength (See Figure 94)					Ref.	AB
	Attaching Parts:							
- 8	AN4-7A	Bolt - Aircraft 1/4 - 28 x 7/8 in.					4	AB
	AN960-416	Washer - Plain 1/4 in.					4	AB
	AN365-428	Nut - Self locking 1/4 - 28					4	AB
- 9	734-183302-30	Tube - Seat brace					1	AB
	Attaching Parts:							
- 10	AN526-832-5	Screw - Truss head No. 8-32 x 5/16 in.					2	AB
	AN960-8	Washer - Plain No. 8					2	AB
- 11	54H19651	Belt aircraft safety lap Ref. 15E/1680-00-516-6543						
	Attaching Parts:							
	AN24-12A	Bolt aircraft 1/4 - 28 x 25/32 in.					2	
	AN24-17A	Bolt aircraft 1/4 - 28 x 1-3/32 in.					2	
	AN960-416	Washer plain 1/4 in.					8	
	AN365-428	Nut self locking 1/4 - 28					4	
- 12	49D7979	Harness aircraft safety shoulder Ref. 15E/1680-00-194-9136 modify with Part ED1497 End links, Ref. 15E/1680-21-802-9231 in lieu of anchorage snaps.						
	Attaching Parts:							
	AN24-12A	Bolt aircraft 1/4 - 28 x 25/32 in.					2	
	AN960-416	Washer plain 1/4 in.					4	
	AN365-428	Nut self locking 1/4 x 28 in.					2	
- 13	734-183314	Cushion Assembly - Cabin chair back					2	AB
- 14	734-183315	Cushion Assembly - Cabin chair seat					2	AB
	644-183461	Table Assembly - Second Navigator's (See Figure 94)					Ref.	AB
- 15	644-183461-12	Board Assembly					1	AB
	Attaching Parts:							
- 16	AN545-8-3	Screw - Round head No. 8 x 3/16 in.					14	AB

Figure and Index Number	Group FURNISHINGS							Units per Assy	Usage on Code		
	Major Assembly CABIN FURNISHINGS INSTALLATIONS										
	Part	1	2	3	4	5	6			7	Nomenclature
97 - 17	644-183461-2	.	.	.	.	.	.	.	Bracket - LH	1	AB
- 18	644-183461-3	.	.	.	.	.	.	.	Bracket - RH	1	AB
	Attaching Parts										
	AN526R832	.	.	.	.	.	.	.	Screw	16	AB
	AN364-832	.	.	.	.	.	.	.	Washer	16	AB
	AN960-8	.	.	.	.	.	.	.	Nut	16	AB
19	467023	.	.	.	.	.	.	.	Instrument Holder - Navigation	1	AB
	Attaching Parts										
	AN545B5-4	.	.	.	.	.	.	.	Screw - Round head Wood 1/2 long	2	AB

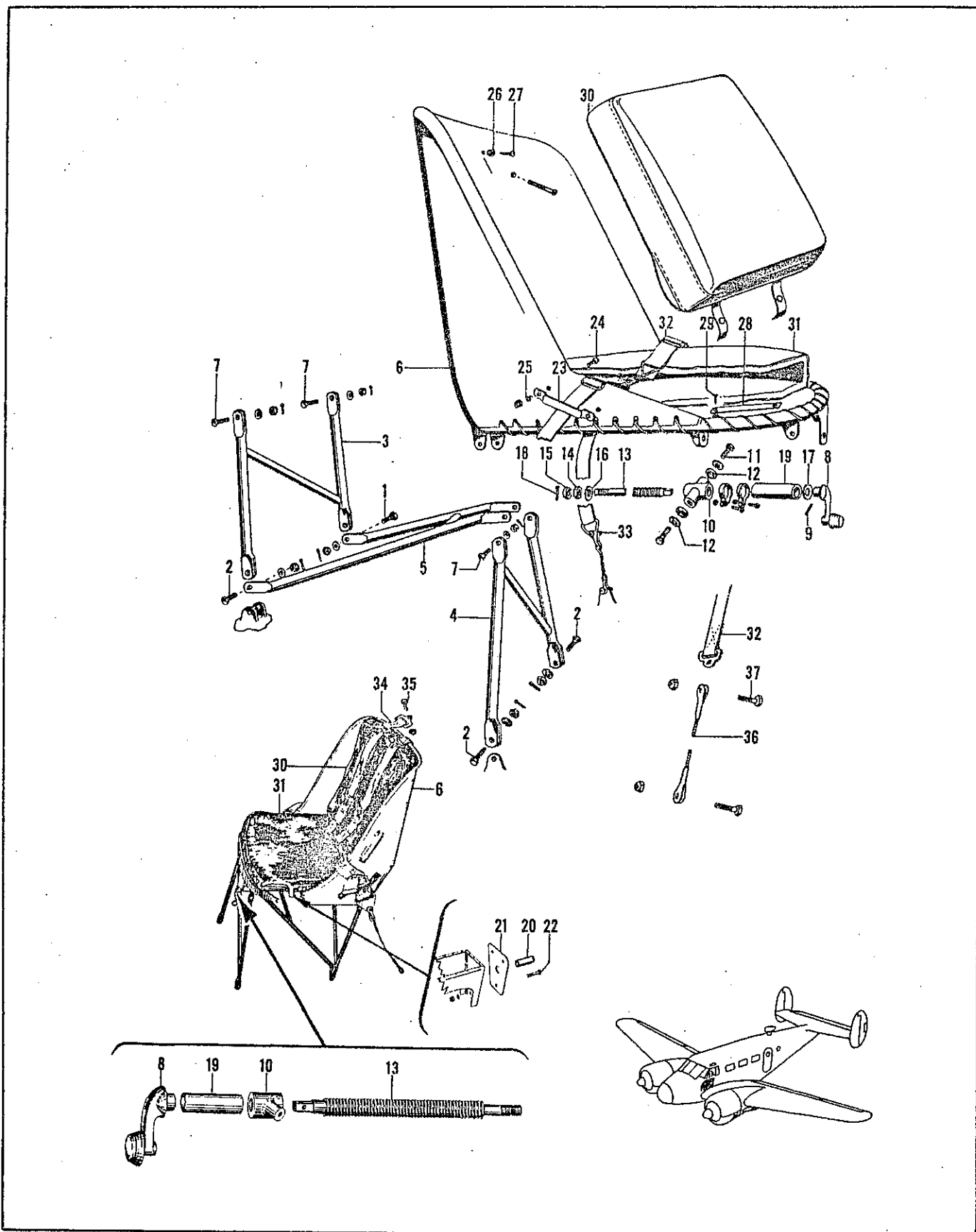


Figure 98. Pilot's Compartment Chair Assembly

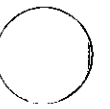
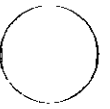


FIGURE and INDEX NUMBER	GROUP FURNISHINGS							Units Per Ass'y	Usage on Code	
	MAJOR ASSEMBLY FURNISHINGS INSTALLATION									
	PART NUMBER	1	2	3	4	5	6 7			NOMENCLATURE
98 -	734-183297	Seat Assembly - Pilot's metal LH (See Figure 94 and 95)							Ref	ALL
	734-183297-1	Seat Assembly - Pilot's metal RH ( See Figure 94 and 95)							Ref	ALL
	Attaching Parts									
- 1	S74-6	Bolt - (Make from AN4 bolt)							1	ALL
- 2	AN4-6	Bolt - Aircraft 1/4 - 28 x 3/4 in.							3	ALL
	AN960-416	Washer - Plain 1/4 in.							4	ALL
	AN380-2-2	Pin - Cotter 1/16 x 1/2 in.							4	ALL
	AN310-4	Nut - Castellated 1/4 - 28							4	ALL
- 3	183309	Leg Assembly - Pilot's seat rear							1	ALL
- 4	804-183315	Leg Assembly - Pilot's seat front							1	ALL
- 5	604-183320	Brace Assembly - Pilot's seat							1	ALL
- 6	734-183297-2	Bucket - Pilot's seat metal							1	ALL
	Attaching Parts									
- 7	AN4-6	Bolt - Aircraft 1/4 -28 x 3/4 in.							4	ALL
	AN960-416L	Washer - Plain 1/4 in.							4	ALL
	AN380-2-2	Pin - Cotter 1/16 x 1/2 in.							4	ALL
	AN310-4	Nut - Castellated 1/4 - 28							4	ALL
- 8	51A-66	Handle - Crank							1	ALL
	Attaching Parts									
- 9	102809-125-024	Pin - Drill rod							1	ALL
- 10	804-183318	Universal - Pilot's seat							1	ALL
	Attaching Parts									
- 11	AN73-4	Bolt - Aircraft No. 10-32 x 1/2 in.							2	ALL
	AN960-10L	Washer - Plain No. 10							2	ALL
- 12	105739-X019 -0250-0105	Bushing							2	ALL
- 13	804-183322	Screw - Pilot's seat adjusting							1	ALL
- 14	AN316-6R	Nut - Check 3/8 - 24							1	ALL
- 15	AN310-6	Nut - Castellated 3/8 - 24							1	ALL
- 16	AN960-616	Washer - Plain 3/8 in.							1	ALL
- 17	AN960-716	Washer - Plain 7/16 in.							1	ALL
- 18	AN380-3-3	Pin - Cotter 3/32 x 3/4 in.							1	ALL
- 19	100696-D25-21 -127	Spacer							1	ALL
- 20	734-183297-16	Bushing							1	ALL
- 21	734-183297-12	Plate							1	ALL
	Attaching Parts									
- 22	AN3-3A	Bolt - Aircraft No. 10-32 x 3/8 in.							3	ALL
	AN960-10L	Washer - Plain No. 10							3	ALL
	AN365-1032	Nut - Self locking No. 10-32							3	ALL
- 23	804-183301-2	Strap							2	ALL

FIGURE and INDEX NUMBER	GROUP FURNISHINGS							Units Per Ass'y	Usage on Code	
	MAJOR ASSEMBLY FURNISHINGS INSTALLATION Cont'd.									
	PART NUMBER	1	2	3	4	5	6 7			NOMENCLATURE
98 -	Attaching Parts									
- 24	AN526-632-6							Screw - Truss head No. 6-32 x 3/8 in.	4	ALL
- 25	AN230-B10							Grommet - Plain No. 10	4	ALL
	AN365-632							Nut - Self locking No. 6-32	4	ALL
- 26	AN227-8B							Stud - Fastener	4	ALL
	Attaching Parts									
- 27	AN507-632R6							Screw - Recessed head No. 6-32 x 3/8 in.	4	ALL
	AN960-6L							Washer - Plain No. 6	4	ALL
	AN365-632							Nut - Self locking No. 6-32	4	ALL
- 28	734-183297-18							Strap	2	ALL
	Attaching Parts									
- 29	AN526-632-9							Screw - Truss head No. 6-32 x 9/16 in.	2	ALL
	AN960-10L							Washer - Plain No. 10	2	ALL
	AN365-632							Nut - Self locking No. 6-32	2	ALL
- 30	734-183296							Cushion Assembly - Pilot's compartment chair back	2	ALL
- 31	183295							Cushion Assembly - Pilot's compartment chair seat	2	ALL
- 32	NAF1201-5							Belt - Aircraft safety - Lap (Ref. RCAF 15E/4)	2	ALL
	Attaching Parts									
- 33	AN24-12A							Bolt - Clevis 1/4-28 x 25/32 in.	2	ALL
	AN364-428							Nut - Self locking 1/4-28	2	ALL
- 34	NAF1201-6A*							Harness - Shoulder (Ref. RCAF 15E/17)	2	ALL
	Attaching Parts									
- 35	AN24-12A							Bolt - Clevis 1/4-28 x 25/32 in.	2	ALL
	AN364-428							Nut - Self locking 1/4-28	2	ALL
- 36	734-184342							Cable Assembly - Safety belt	4	ALL
	Attaching Parts									
- 37	AN24-12A							Bolt - Clevis 1/4-28 x 25/32 in.	4	ALL
	AN364-428							Nut - Self locking 1/4-28	4	ALL
								* For future procurement NAF1201-9 supersedes NAF1201-6A.		

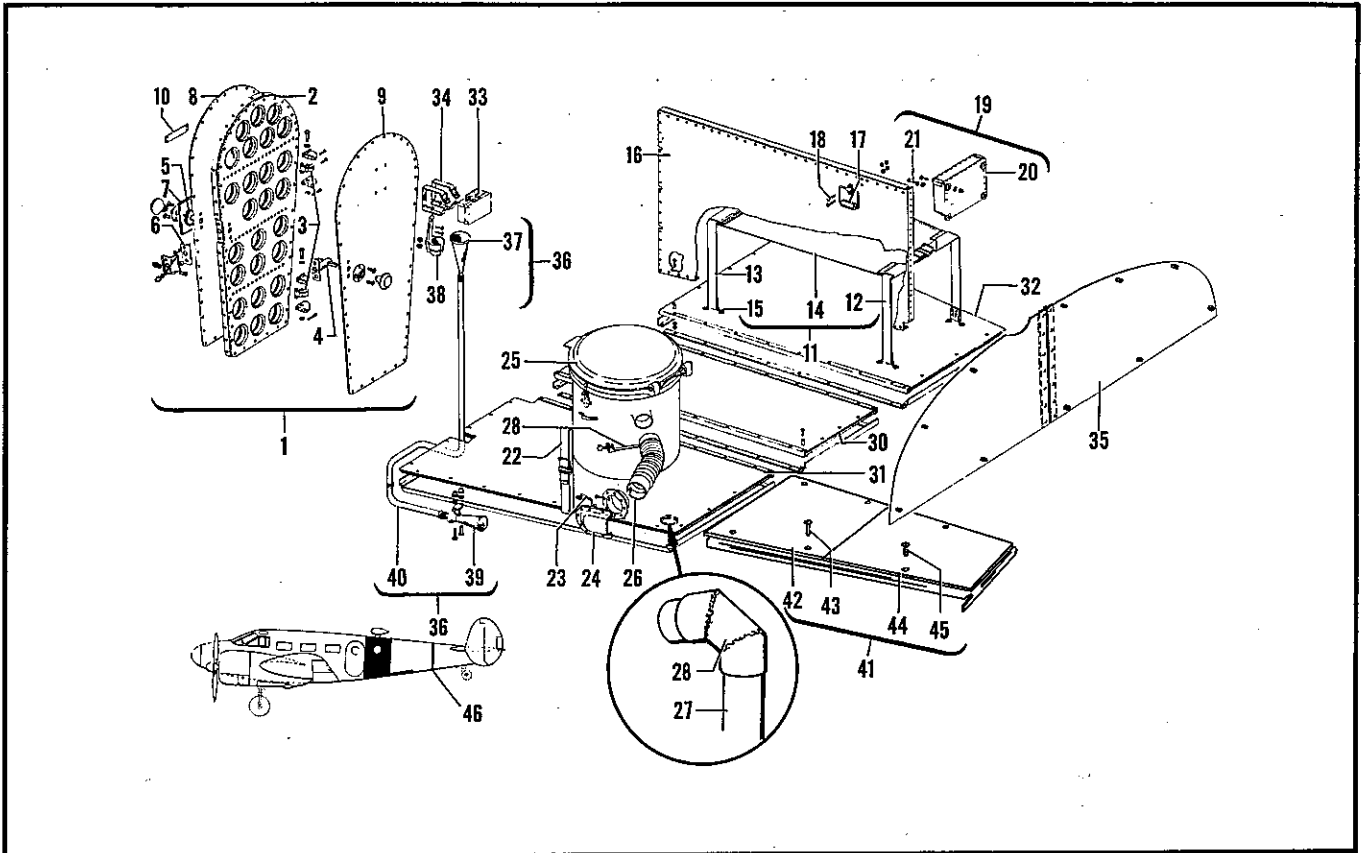


Figure 99 Lavatory and Rear Radio Compartment Installation

FIGURE and INDEX NUMBER	GROUP FURNISHINGS							Units Per Ass'y	Usage on Code		
	MAJOR ASSEMBLY		CABIN FURNISHINGS INSTALLATION								
	PART NUMBER	1	2	3	4	5	6			7	NOMENCLATURE
99 -	183200								Compartment Installation - Lavatory (see Figure 95)	Ref	D
	644-183200								Compartment Installation - Lavatory (see Figure 94)	Ref	ABC
- 1	184820								Door Assembly - Lavatory compartment	1	ABC
- 2	184830								Door Assembly - Unfinished	1	ALL
- 3	184832								Hinge Assembly - Lavatory door	2	ALL
- 4	1503F-1503								Latch Assembly - Lavatory door	1	ALL
									Attaching Parts		
	SK83-632-8								Screw - Commercial (NAB)	2	ALL
- 5	100951-DD-187 -017-018								Washer - Door latch	1	ALL
- 6	185622								Plate - Striker	1	ALL
									Attaching Parts		
- 7	404-183011								Plate - Protector lavatory door	1	ALL
									OR		
	111-84020								Plate - Protector lavatory door	1	ALL
- 8	644-183000-14								Panel Upholstered forward	1	ABC
- 9	644-183000-20								Panel Upholstered aft	1	ABC

FIGURE and INDEX NUMBER	GROUP FURNISHINGS							Units Per Ass'y	Usage on Code	
	MAJOR ASSEMBLY CABIN FURNISHINGS INSTALLATION Cont'd.									
	PART NUMBER	1	2	3	4	5	6 7			NOMENCLATURE
99 - 10	180062							Placard - Lavatory door	1	ABC
- 11	404-180642							Strap Installation - Rear baggage retainer	1	ABC
- 12	111191-036-08							Strap Assembly - Baggage tie down	2	ABC
- 13	111192-036-08							Strap Assembly - Baggage tie down	2	ABC
- 14	404-180644							Cover Assembly - Rear baggage	1	ABC
- 15	64118							Loop - Footman	4	ABC
								Attaching Parts		
	SK83-832-1							Screw - Commercial (NAB)	8	ABC
	AN970-3							Washer - Wood No. 3	8	ABC
	AN365-832							Nut - Self locking No. 8-32	8	ABC
- 16	407-183210							Partition Assembly - Rear baggage compartment	1	ABC
- 17	2609							Holder - Tissue	1	ABC
	A2252							Holder - Tissue	1	D
								Attaching Parts		
- 18	AN515-8R12							Screw - Round head No. 8-32 x 3/4 in.	2	ALL
	AN960-8							Washer - Plain No. 8	2	ALL
	AN365-832							Nut - Self locking No. 8-32	2	ALL
- 19	404-184103							Case Installation - Data	1	ALL
- 20	36G2873							Case - Data	1	ALL
								Attaching Parts		
- 21	AN515-10-10							Screw - Flat head No. 10-32 x 5/8 in.	4	ALL
	AN970-3							Washer - Wood No. 3	4	ALL
	AN365-1032							Nut - Self locking No. 10-32	4	ALL
- 22	183209							Belt Assembly - Lavatory installation	1	ALL
- 23	7276							Loop - Toilet tie-down	2	ABC
								Attaching Parts		
	AN510-10-18							Screw - Flat head No. 10-32 x 1-1/8 in.	2	ABC
	AN970-3							Washer - Wood No. 3	2	ABC
	AN960-10L							Washer - Plain No. 10	2	ABC
	AN365-1032							Nut - Self locking No. 10-32	2	ABC
- 24	181177							Cover - Toilet vent	1	ABC
- 25	1608A							Toilet - Sanitary (Wickland Mfg. Co., Pasadena, California)	1	ALL
- 26	111-728-120									
	-12-16							Duct - Toilet vent	1	ALL
- 27	183206-1							Tube - Toilet vent	1	D
- 28	183200-7							Tube - Toilet vent	1	D
- 29	No Number							Wraplock - 1/4 in.	2	ABC
- 30	404-183151							Board Assembly - Lavatory floor center	1	ABC
	18315-8							Board Assembly - Lavatory floor center	1	D
- 31	404-183152							Board Assembly - Lavatory floor LH	1	ABC
	18315-7							Board Assembly - Lavatory floor LH	1	D
- 32	404-183152-1							Board Assembly - Lavatory floor RH	1	ABC
	18315-6							Board Assembly - Lavatory floor RH	1	D



FIGURE and INDEX NUMBER	GROUP FURNISHINGS							Units Per Ass'y	Usage on Code	
	MAJOR ASSEMBLY CABIN FURNISHINGS INSTALLATION Cont'd.									
	PART NUMBER	1	2	3	4	5	6 7			NOMENCLATURE
99 -										
- 32	AN526-832-R16							Attaching Parts Screw - Truss head No. 8-32 x 1 in.	AR	ALL
- 33	FA12476							Kit - First aid	1	ABC
- 34	180645							Strap Assembly - First aid kit	2	ABC
- 35	32696							Panel Assembly - No. 10 bulkhead	1	ABC
	5MBA13561							Curtain (Leather)	1	D
- 36	404-180632							Tube Installation - Relief	1	ABC
- 37	AN8018-1							Horn - Relief tube	1	ABC
- 38	AN8021							Bracket - Horn Support	1	ABC
								Attaching Parts		
	AN515-632-10							Screw - Round head No. 6-32 x 5/8 in.	2	ABC
	6K4							Washer	2	ABC
	AN365-440							Nut - Self locking No. 4-40	2	ABC
- 39	41A9177							Venturi - Relief tube	1	ABC
- 40	106043-S-12-08							Tube - Relief	1	ABC
- 41	4MBA13246							Floor Installation - Rear radio compartment	1	ALL
	4MBA13244							Floor Assembly - Rear radio compartment	1	ALL
- 42	3MBA13245-2							Floor board	1	ALL
								Attaching Parts		
- 43	AN515-6R18							Screw - Round head No. 6-32 x 1-1/8	4	ALL
	AN960-D-6							Washer - Plain No. 6	4	ALL
	100696-S08-018							Spacer	4	ALL
- 44	3MBA13245-3							Floor board	1	ALL
								Attaching Parts		
- 45	AJ3-80							Fastener	2	ALL
	GSA-T-593							Grommet	2	ALL
- 46	404-180645							Seal Installation - No. 12 Bulkhead	1	ALL
	404-180645-2							Panel Assembly	1	ALL

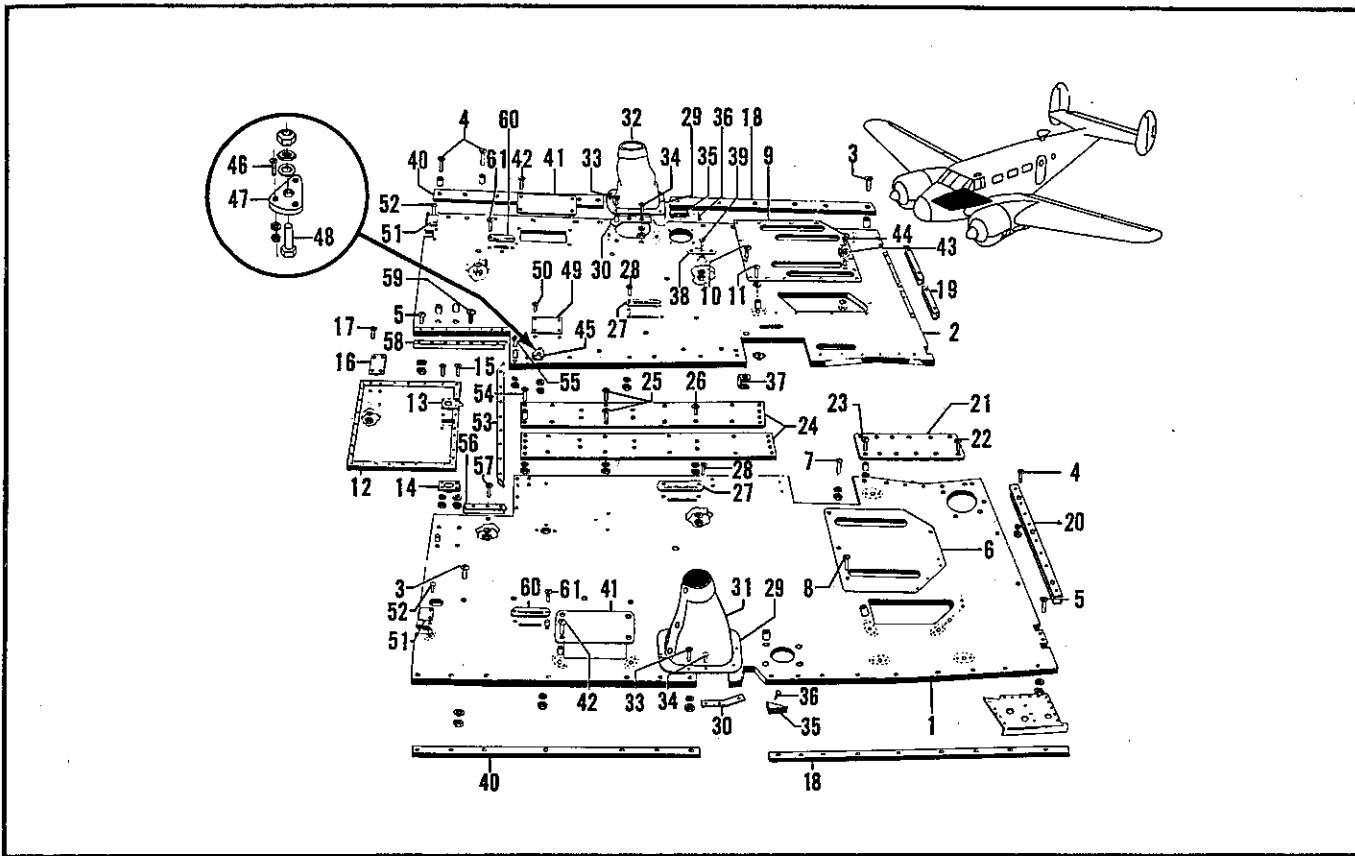


Figure 100. Pilot's Compartment Floorboard Installation

FIGURE and INDEX NUMBER	GROUP FURNISHINGS		Units Per Ass'y	Usage on Code	
	MAJOR ASSEMBLY				
	PILOT'S COMPARTMENT FLOORBOARD INSTALLATION				
PART NUMBER	1 2 3 4 5 6 7	NOMENCLATURE			
100	404-183120	Floorboard Installation - Pilot's Compartment (See Figure 94 and 95)		Ref	ALL
- 1	404-183138	Board Assembly - Pilot's compartment RH		1	ALL
- 2	404-183146	Board Assembly - Pilot's compartment LH		1	ALL
		Attaching Parts			
- 3	AN525-832R16	Screw - Truss head No. 8-32 x 1 in.		27	ALL
- 4	AN525-832R18	Screw - Truss head No. 8-32 x 1-1/8 in.		5	ALL
- 5	AN525-832R24	Screw - Truss head No. 8-32 x 1-1/2 in.		24	ALL
	AN960-8	Washer - Plain No. 8		AR	ALL
	AN365-832	Nut - Self locking No. 8-32		AR	ALL
- 6	404-183138-40	Plate Assembly - Copilot rudder pedals floor		1	ALL
		Attaching Parts			
- 7	AN505-4-14	Screw - Flat head No. 4-40 x 7/8 in.		10	ALL
- 8	AN525-832R14	Screw - Truss head No. 8-32 x 7/8 in.		2	ALL
	AN365-832-14	Nut - Self locking No. 8-32		2	ALL
- 9	404-183137-44	Plate Assembly - Pilot rudder pedals floor		1	ALL

FIGURE and INDEX NUMBER	GROUP FURNISHINGS							Units Per Ass'y	Usage on Code	
	PILOT'S COMPARTMENT FLOORBOARD INSTALLATION Cont'd									
	PART NUMBER	1	2	3	4	5	6 7			NOMENCLATURE
100-										
		Attaching Parts								
- 10	AN505-4-14							Screw - Flat head No. 4-40 x 7/8 in.	4	ALL
- 11	AN525-832R14							Screw - Truss head No. 8-32 x 7/8 in.	14	ALL
	AN365-440							Nut - Self locking No. 4-40	14	ALL
- 12	804-183138							Door Assembly - Pilot's floorboard inspection	1	ALL
- 13	121B45-1							Latch - Floorboard fastening	1	ALL
- 14	804-183139							Plate - Inspection door latch cover	1	ALL
		Attaching Parts								
- 15	AN505-6-16							Screw - Flat head No. 6-32 x 1 in.	4	ALL
	AN960-6							Washer - Plain No. 6	4	ALL
	AN340-6							Nut - Hexagon No. 6-32	4	ALL
- 16	180090							Placard - Elevator tab	1	ALL
		Attaching Parts								
- 17	AN525-632R14							Screw - Truss head No. 6-32 x 7/8 in.	4	ALL
	AN960-6							Washer - Plain No. 6	4	ALL
	AN365-632							Nut - Self locking No. 6-32	4	ALL
- 18	404-183123							Strip - Pilot's floorboard forward (1LH and 1 RH)	2	ALL
- 19	404-183126							Strip - Pilot's floorboard front LH	1	ALL
- 20	404-183127							Strip - Pilot's floorboard front RH	1	ALL
- 21	183124							Cover - Elevator control pulley	1	ALL
		Attaching Parts								
- 22	AN525-832R18							Screw - Truss head No. 8-32 x 1-1/8 in.	6	ALL
- 23	AN525-832R16							Screw - Truss head No. 8-32 x 1 in.	6	ALL
	AN960-8							Washer - Plain No. 8	12	ALL
- 24	404-183134							Plate - Pilot's compartment floor joint	2	ALL
		Attaching Parts								
- 25	AN525-832R16							Screw - Truss head No. 8-32 x 1 in.	7	ALL
- 26	AN525-832R18							Screw - Truss head No. 8-32 x 1-1/8 in.	2	ALL
	AN960-8							Washer - Plain No. 8	18	ALL
	AN365-832							Nut - Self locking No. 8-32	9	ALL
- 27	183121-2							Reinforcement - Seat support floor 1 LH and 1 RH	2	ALL
		Attaching Parts								
- 28	AN525-832R16							Screw - Truss head No. 8-32 x 1 in.	2	ALL
	AN960-8							Washer - Plain No. 8	2	ALL
	AN365-832							Nut - Self locking No. 8-32	2	ALL
- 29	187509A							Plate - Control column boot (1 LH and 1 RH)	2	ALL
- 30	183126							Plate - Control column boot reinforcement (1 LH and 1 RH)	2	ALL
- 31	187503-1							Boot Assembly - Control column RH	1	ALL
- 32	187503							Boot Assembly - Control column LH	1	ALL
		Attaching Parts								
- 33	AN525-832R16							Screw - Truss head No. 8-32 x 1 in.	6	ALL

FIGURE and INDEX NUMBER	GROUP FURNISHINGS							Units Per Ass'y	Usage on Code	
	MAJOR ASSEMBLY PILOT'S COMPARTMENT FLOORBOARDS INSTALLATION Cont'd									
	PART NUMBER	1	2	3	4	5	6 7			NOMENCLATURE
100- 34	AN525-832R8 AN960-8 AN365-832							Screw - Truss head No. 8-32 x 1/2 in. Washer - Plain No. 8 Nut - Self locking No. 8-32	1 1 1	ALL ALL ALL
- 35	183127							Block - Pilot's compartment upholstery ( 1 LH and 1 RH)	2	ALL
		Attaching Parts								
- 36	AN550-3-5							Screw - Flat head No. 3 x 5/8 in.	1	ALL
- 37	183145P							Clip - Parking brake spring	1	ALL
- 38	187049							Strap Assembly - Tie-down control lock	1	ALL
		Attaching Parts								
- 39	AN525-1032R18 AN960-10 AN365-1032							Screw - Truss head No. 10-32 x 1-1/8 in. Washer - Plain No. 10 Nut - Self locking No. 10-32	1 1 1	ALL ALL ALL
- 40	814-183125							Strip - Pilot's floor rear ( 1 LH and 1 RH)	2	ALL
- 41	183149 4MBA6936							Plate - Aileron cable inspection LH Plate - Aileron cable inspection RH	1 1	ALL ALL
		Attaching Parts								
- 42	AN525-832R14							Screw - Truss head No. 8-32 x 7/8 in.	4	ALL
- 43	187058							Bracket - Control lock floor	1	ALL
		Attaching Parts								
- 44	AN525-1032R18 AN360-10 AN365-1032							Screw - Truss head No. 10-32 x 1-1/8 in. Washer - Plain No. 10 Nut - Self locking No. 10-32	1 1 1	ALL ALL ALL
- 45	814-180537							Post Assembly - Terminal distribution	1	ALL
		Attaching Parts								
- 46	AN526-632R18 AN960-6 AN365-632							Screw - Truss head No. 6-32 x 1-1/8 in. Washer - Plain No. 6 Nut - Self locking No. 6-32	3 3 3	ALL ALL ALL
- 47	182020							Post	1	ALL
- 48	105982-4A-15 -004 AN960-416L AN365-428 AN316-4R							Bolt Washer - Plain 1/4 in. Nut - Self locking 1/4 -28 Nut - Check 1/4 -28	1 1 1 1	ALL ALL ALL ALL
- 49	180091							Placard - Landing gear and flap	1	ALL
		Attaching Parts								
- 50	AN526-632R14 AN960-6 AN365-632							Screw - Truss head No. 6-32 x 7/8 in. Washer - Plain No. 6 Nut - Self locking No. 6-32	4 4 4	ALL ALL ALL
- 51	183131							Plate - Aileron pulley inspection ( 1 LH and 1 RH)	2	ALL
		Attaching Parts								

FIGURE and INDEX NUMBER	GROUP	FURNISHINGS							Units Per Ass'y	Usage on Code	
		MAJOR ASSEMBLY		PILOT'S COMPARTMENT FLOOR- BOARDS INSTALLATION Cont'd							
		PART NUMBER	1	2	3	4	5	6			7
100- 52	AN526-832R14								Screw - Truss head No. 8-32 x 7/8 in.	2	ALL
- 53	183139L								Channel - Floor edging front	1	ALL
		Attaching Parts									
- 54	AN526-832R16								Screw - Truss head No. 8-32 x 1 in.	5	ALL
- 55	AN526-832R18								Screw - Truss head No. 8-32 x 1-1/8 in.	4	ALL
	AN960-8								Washer - Plain No. 8	9	ALL
	AN365-832								Nut - Self locking No. 8-32	9	ALL
- 56	183144 L								Channel - Floor ending RH	1	ALL
		Attaching Parts									
- 57	AN526-832R18								Screw - Truss head No. 8-32 x 1-1/8 in.	4	ALL
	AN960-8								Washer - Plain No. 8	4	ALL
	AN365-832								Nut - Self locking No. 8-32	4	ALL
- 58	183141L								Channel - Floor edging LH	1	ALL
		Attaching Parts									
- 59	AN526-832R16								Screw - Truss head No. 8-32 x 1 in.	1	ALL
	AN960-8								Washer - Plain No. 8	1	ALL
	AN365-832								Nut - Self locking No. 8-32	1	ALL
- 60	18321-1								Reinforcement - Floorboard seat support ( 1 LH and 1 RH)	2	ALL
		Attaching Parts									
- 61	AN526-832R18								Screw - Truss head No. 8-32 x 1-1/8 in.	2	ALL
	AN960-8								Washer - Plain No. 8	2	ALL
	AN365-832								Nut - Self locking No. 8-32	2	ALL

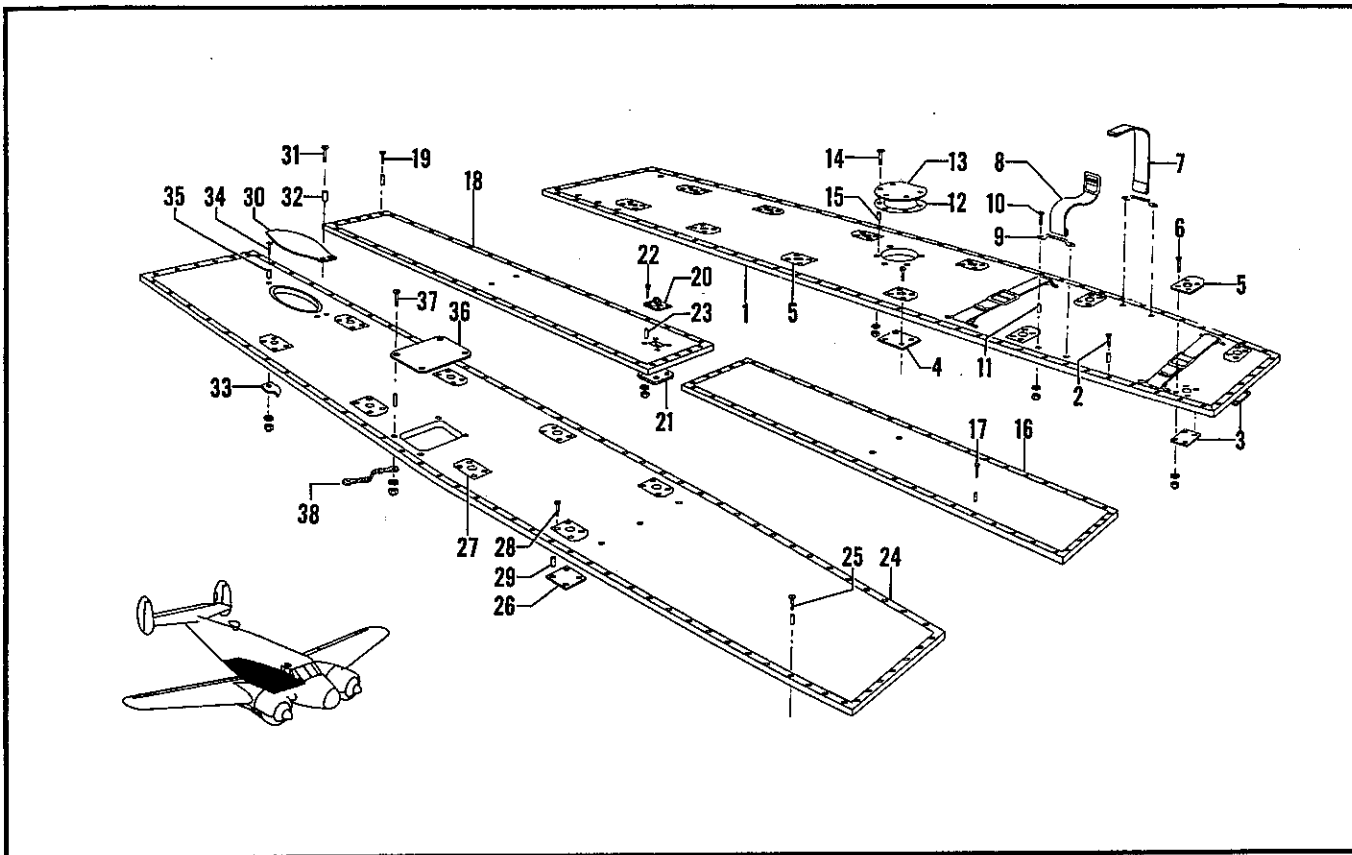


Figure 101 Cabin Floor Installation

FIGURE and INDEX NUMBER	GROUP FURNISHINGS							Units Per Ass'y	Usage on Code	
	MAJOR ASSEMBLY CABIN FLOOR INSTALLATION									
	PART NUMBER	1	2	3	4	5	6 7			NOMENCLATURE
101 -	644-183300							Floor Installation - Cabin (see Figure 94)	Ref	A
	644-183301							Floor Installation - Cabin (see Figure 94)	Ref	BC
- 1	644-183311							Floor Assembly - Cabin RH	1	A
	644-183314							Floor Assembly - Cabin RH	1	BC
	Attaching Parts									
- 2	AN526-832R16							Screw - Truss head No. 8-32 x 1 in.	AR	ABC
- 3	404-183110							Plate - Reinforcement	10	BC
- 4	404-183122							Plate - Reinforcement	2	BC
- 5	404-183124							Locking Assembly - Chair (make from 295300 Wedgit Assembly)(UC)	12	BC
	Attaching Parts									
- 6	AN509-10R19							Screw - Flat head No. 10-32 x 1-3/16 in.	4	BC
	AN960-10							Washer - Plain No. 10	4	BC
	AN365-1032							Nut - Self locking No. 10-32	4	BC
- 7	111191-025-00							Strap Assembly - Footman	3	A
- 8	111192-025-00							Strap Assembly - Footman	3	A
- 9	6411B							Loop - Footman (Eberhard Mfg. Co.)	6	A

FIGURE and INDEX NUMBER	GROUP FURNISHINGS							Units Per Ass'y	Usage on Code	
	MAJOR ASSEMBLY CABIN FLOOR INSTALLATION Cont'd									
	PART NUMBER	1	2	3	4	5	6 7			NOMENCLATURE
101-	Attaching Parts									
- 10	SK83-8-32 x 1							Screw - Oval head No. 8-32 x 1 in.	2	A
- 11	100696-D08-06 -018							Spacer	2	A
	AN970-3							Washer - Wood No. 10	2	A
	AN365-832							Nut - Self locking No. 8-32	2	A
- 12	84-183124							Seal - Plate	1	ABC
- 13	84-183123							Plate - Driftmeter hole	1	ABC
	Attaching Parts									
- 14	AN526-832R18							Screw - Truss head No. 8-32 x 1-1/8 in.	5	ABC
	AN960-8							Washer - Plain No. 8	5	ABC
	AN365-832							Nut - Self locking No. 8-32	5	ABC
- 15	404-180234							Spacer	5	ABC
- 16	404-183109							Floor Assembly - Cabin rear center	1	ABC
	Attaching Parts									
- 17	AN526-832R16							Screw - Truss head No. 8-32 x 1 in.	AR	ABC
- 18	404-183108							Floor Assembly - Cabin forward center	1	ABC
	Attaching Parts									
- 19	AN526-832R16							Screw - Truss head No. 8-32 x 1 in.	AR	ABC
- 20	1179-1-1/4							Ring - Cast brass flush	1	ABC
	1020-1-1/2							Ring - Cast brass flush (use for spare part)	Ref	ABC
- 21	183112							Reinforcement - Ring	1	ABC
	Attaching Parts									
- 22	AN505-4-16							Screw - Flat head No. 4-4	4	ABC
- 23	100696-D08-04 -016							Spacer	4	ABC
	AN960-4							Washer - Plain No. 4	4	ABC
	AN340-4							Nut - Plain No. 4-40	4	ABC
- 24	644-183103							Floor Assembly - Cabin LH	1	A
	644-183105							Floor Assembly - Cabin LH	1	BC
	Attaching Parts									
- 25	AN526-832R16							Screw - Truss head No. 8-32 x 1 in.	AR	ABC
- 26	404-183110							Plate - Floor board fitting reinforcement	8	BC
- 27	295300							Wedjit Assembly - ( UC)	8	BC
	Attaching Parts									
- 28	AN509-10R19							Screw - Flat head No. 10-32 x 1-3/16 in.	4	ABC
- 29	404-180243							Spacer	4	ABC
	AN960-10							Washer - Plain No. 10	4	ABC
	AN365-1032							Nut - Self locking No. 10-32	4	ABC
- 30	644-184441							Door Assembly - Drift signal chute	1	ABC

FIGURE and INDEX NUMBER	GROUP FURNISHINGS							Units Per Ass'y	Usage on Code	
	MAJOR ASSEMBLY CABIN FLOOR INSTALLATION Cont'd									
	PART NUMBER	1	2	3	4	5	6 7			NOMENCLATURE
101-	Attaching Parts									
- 31	AN526-632R24							Screw - Truss head No. 6-32 x 1-1/2 in.	2	ABC
- 32	100696-D08-05							Spacer	2	ABC
	-018									
	AN960-6							Washer - Plain No. 6	2	ABC
	AN365-632							Nut - Self locking No. 6-32	2	ABC
- 33	84-184118							Clip	1	ABC
	Attaching Parts									
- 34	AN526-623R14							Screw - Truss head No. 6-32 x 7/8 in.	1	ABC
- 35	100696-D08-05							Spacer	1	ABC
	-018									
	AN960-6							Washer - Plain No. 6	1	ABC
	AN365-632							Nut - Self locking No. 6-32	1	ABC
- 36	183111							Plate - Inspection	1	ABC
	Attaching Parts									
- 37	AN526-832R16							Screw - Truss head No. 8-32 x 1 in.	4	ABC
- 38	No Number							Bonding Jumper	AR	ABC



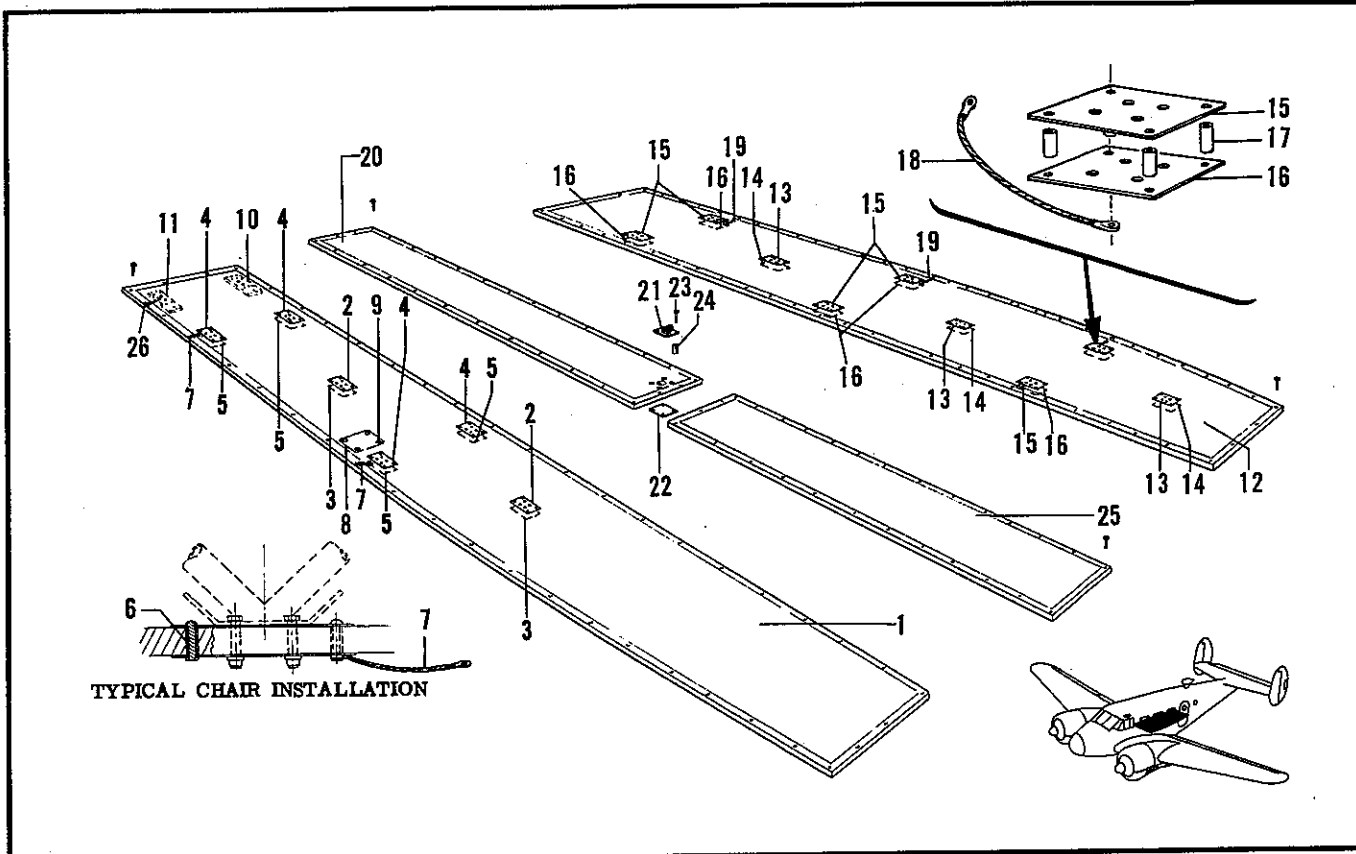


Figure 102 Cabin Floor Installation 3T

FIGURE and INDEX NUMBER	GROUP FURNISHINGS							Units Per Ass'y	Usage on Code		
	MAJOR ASSEMBLY CABIN FLOORBOARD INSTALLATION										
	PART NUMBER	1	2	3	4	5	6			7	NOMENCLATURE
102 -	824-183100								Floorboard Installation - Cabin (See Figure 95)	Ref	D
- 1	5MBA13558								Floorboard Assembly - Cabin LH (Make from Beech P/N 84-183103)	1	D
									Attaching Parts		
	AN526-832R16								Screw - Truss head No. 8-32 x 1 in.	AR	D
- 2	1MBA3236								Plate - Seat attachment floor-top-rear	2	D
- 3	1MBA3233								Plate - Seat attachment floor-bottom-rear	2	D
- 4	1MBA3235								Plate - Seat attachment floor-top-front	4	D
- 5	1MBA3232								Plate - Seat attachment floor-bottom-front	4	D
- 6	100696-D08-05								Spacer - Plate - Seat attachment floor LH	24	D
	-018								(4 per assembly)		
- 7	2MBA5755-2-3								Bonding Jumper LH	2	D
	-3-2										
- 8	5MBA13558								Cover - Inspection 8-1/4 x 5-3/4 x 0.40-24st	1	D
									Attaching Parts		
- 9	AN526-832-16								Screw	3	D
	100696-D08-06								Spacer	3	D
	-018										

FIGURE and INDEX NUMBER	GROUP FURNISHINGS							Units Per Ass'y	Usage on Code	
	MAJOR ASSEMBLY CABIN FLOORBOARD INSTALLATION Cont'd.									
	PART NUMBER	1	2	3	4	5	6 7			NOMENCLATURE
102 - 9	AN366-F832							Anchornut	3	D
	AN505-4-14							Screw	6	D
	AN366-440							Nut	6	D
- 10	2MBA6535							Locating Plate	1	D
	Attaching Parts									
	AN526-632-16							Screw	2	D
	AN365-632							Nut	2	D
	AN960-6							Washer	2	D
	100696-D08-05-018							Spacer	2	D
- 11	2MBA6532							Locating Plate	1	D
	Attaching Parts									
	AN526-632-16							Screw	2	D
	AN365-632							Nut	2	D
	AN960-6							Washer	2	D
	100696-D08-05-018							Spacer	2	D
- 12	5MBA13559							Floorboard Assembly - Cabin RH (Make from Beech P/N 824-183104)	1	D
	Attaching Parts									
	AN526-832R16							Screw - Truss head No. 8-32 x 1 in.	AR	D
- 13	1MBA3236							Plate - Seat attachment floor-top-rear	3	D
- 14	1MBA3233							Plate - Seat attachment floor-bottom-rear	3	D
- 15	1MBA3235							Plate - Seat attachment floor-top-front	6	D
- 16	1MBA3232							Plate - Seat attachment floor-bottom-front	6	D
- 17	100696-D08-05-018							Spacer - Plate - Seat attachment floor RH (4 per assembly)	36	D
- 18	2MBA5755-2-3-4-0							Bonding Jumper RH	1	D
- 19	2MBA5755-2-3-3-2							Bonding Jumper RH	2	D
- 20	94-183108							Floorboard Assembly - Center forward	1	D
	404-183108*							Floorboard Assembly - Center forward	1	D
	Attaching Parts									
	AN526-832R16							Screw - Truss head No. 8-32 x 1 in.	AR	D
- 21	457							Ring-Lift - P/N United Sash & Door Co. (Ref. RCAF 28NS/457)	1	D
- 22	183112							Plate - Cabin floor lift ring reinforcement	1	D

\* This part to be used for replacement of original equipment in the aircraft.

FIGURE and INDEX NUMBER	GROUP FURNISHINGS							Units Per Ass'y	Usage on Code		
	MAJOR ASSEMBLY CABIN FLOORBOARD INSTALLATION Cont'd										
	PART NUMBER	1	2	3	4	5	6			7	NOMENCLATURE
102 -											
- 23	AN505-4-16								Attaching Parts Screw	4	D
- 24	S-220-1								Bushing	4	D
	AN960-4								Washer - Plain No. 4	4	D
	AN340-4								Nut	4	D
- 25	183109								Floorboard Assembly - Cabin rear center	1	D
									Attaching Parts		
	AN526-832-R16								Screw - Truss head No. 8-32 x 1 in.	AR	D
- 26	2UBA5755-3-4 -4-1								Bonding Jumper	1	D

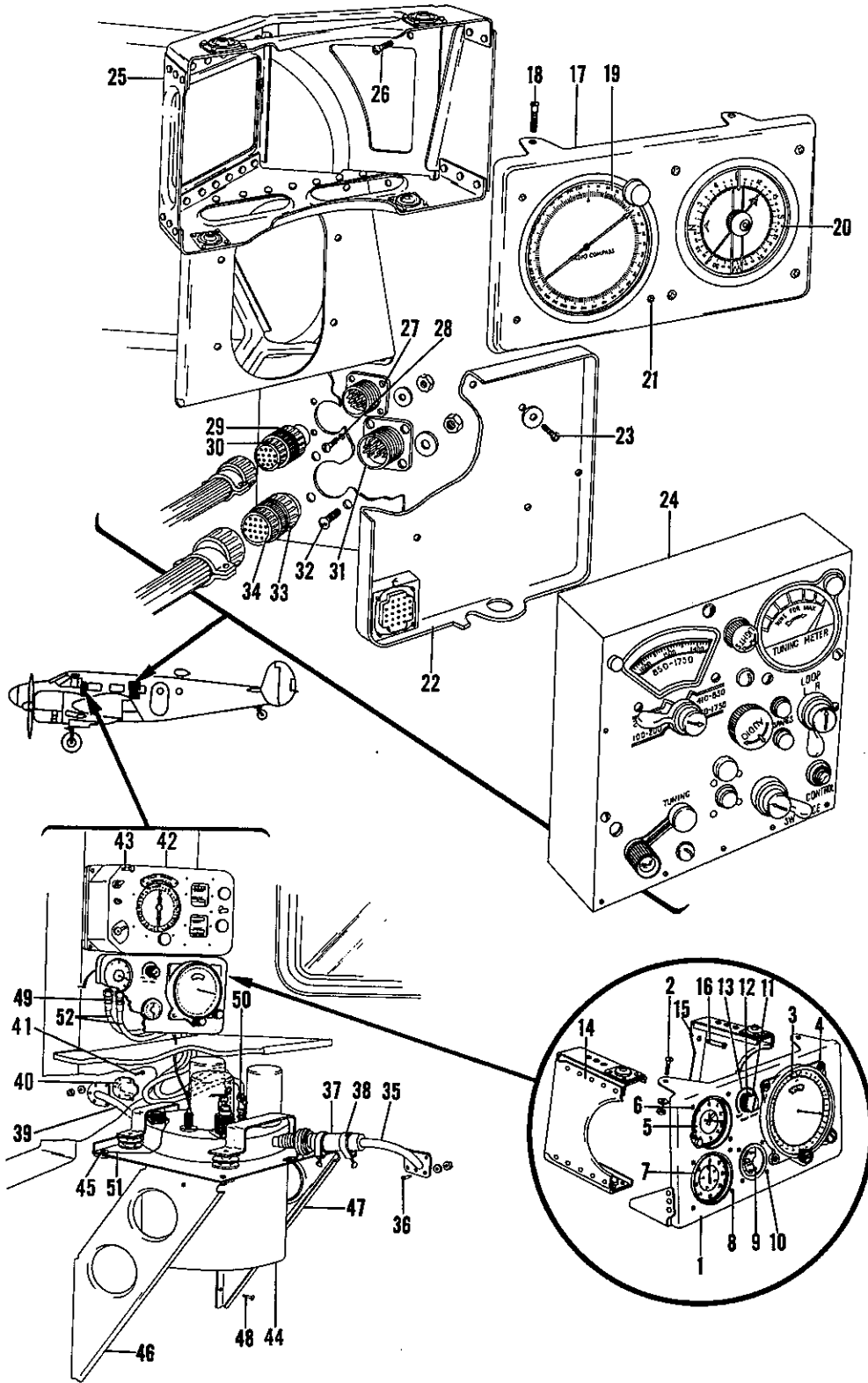


Figure 103. Cabin Instrument Panel Installation

FIGURE and INDEX NUMBER	GROUP FURNISHINGS							Units Per Ass'y	Usage on Code	
	MAJOR ASSEMBLY CABIN INSTRUMENT PANEL INSTALLATION									
	PART NUMBER	1	2	3	4	5	6 7			NOMENCLATURE
103 -	644-183600	Panel	-	First	navigator's	instrument	installation		Ref	AB
							(see Figure 94)			
- 1	644-183609	Panel Assembly	-	First	navigator's	floating	instrument		1	AB
		Attaching Parts								
- 2	AN515-8R12	Screw	-	Round	head	No. 8-32	x 3/4 in.		4	AB
	AN8013-D1	Washer	-	Vibration	insulator	stop			4	AB
	AN340-832	Nut	-	Hexagon	No. 8-32				4	AB
- 3	16203-0	Indicator	-	Master	gyrosyn	CL2			1	AB
		Attaching Parts								
- 4	AN520-10R18	Screw	-	Round	head	No. 10-32	x 1-1/8 in.		3	AB
- 5	AN5760-3A (Mod)	Altimeter	-	Sensitive					1	AB
		Attaching Parts								
- 6	NAS387-632-14	Screw	-	Oval	head	No. 6-32	x 7/8 in.		3	AB
- 7	1426-12D	Indicator	-	Airspeed					1	AB
		Attaching Parts								
- 8	NAS387-632-14	Screw	-	Oval	head	No. 6-32	x 7/8 in.		4	AB
- 9	AN5790-6	Thermometer	-	Free	air				1	AB
		Attaching Parts								
- 10	NAS387-632-14	Screw	-	Oval	head	No. 6-32	x 7/8 in.		4	AB
- 11	0147	Rheostat	-	Hamar	(OM)	Table	light		1	AB
- 12	5100	Knob	-	Rheostat	(OM)	Table	light		1	AB
- 13	644-180037	Placard	-	Table	light	rheostat			1	AB
- 14	644-183607	Mount Assembly	-	First	navigator's	instrument			1	AB
		LH								
- 15	644-183607-1	Mount Assembly	-	First	navigator's	instrument			1	AB
		RH								
		Attaching Parts								
- 16	AN520-10R10	Screw	-	Round	head	No. 10-32	x 5/8 in.		2	AB
	AN8008-D-2	Shock Mount							4	AB
	644-183601	Panel	-	Second	navigator's	instrument	installation		Ref	AB
							(see Figure 94)			
- 17	644-183602	Panel Assembly	-	Second	navigator's				1	AB
		Attaching Parts								
- 18	AN515-8R12	Screw	-	Round	head	No. 8-32	x 3/4 in.		4	AB
	AN8013-D1	Washer	-	Vibration	insulator	stop			8	AB
	AN340-832	Nut	-	Hexagon	No. 8-32				4	AB
- 19	1-82	Indicator							1	AB
- 20	AE-374-6B	Indicator	-	Repeater	DRC	(Ref. RAF 6B/585)			1	AB
		Attaching Parts								

FIGURE and INDEX NUMBER	GROUP		FURNISHINGS				Units Per Ass'y	Usage on Code	
	MAJOR ASSEMBLY		CABIN INSTRUMENT PANEL INSTALLATION Cont'd						
	PART NUMBER	1 2 3 4 5 6 7	NOMENCLATURE						
103- 21	NAS387-6-12		Screw	-	Oval head No. 6-32 x 3/4 in.		7	AB	
	AN960-6		Washer	-	Plain No. 6		7	AB	
	AN340-6		Nut	-	Hexagon No. 6-32		7	AB	
- 22	644-183601-2		Plate	-	Control box support		1	AB	
			Attaching Parts						
- 23	AN520-10R10		Screw	-	Round head No. 10-32 x 5/8 in.		4	AB	
	AN960-10		Washer	-	Plain No. 10		4	AB	
- 24	C4/ARN-7		Box	-	Control		1	AB	
- 25	644-183603		Mount Assembly	-	Control box		1	AB	
			Attaching Parts						
- 26	AN520-10R10		Screw	-	Round head No. 10-32 x 5/8 in.		9	AB	
	AN8008-D-2		Shock Mount				4	AB	
- 27	AN3102-18-1P		Receptacle				1	AB	
			Attaching Parts						
- 28	AN515-4-8		Screw	-	Round head No. 4-40 x 1/2 in.		4	AB	
	AN960-4		Washer	-	Plain No. 4		4	AB	
	AN365-440		Nut	-	Self locking No. 4-40		4	AB	
- 29	AN3106-18-1S		Plug				1	AB	
- 30	AN3057-10 L		Adapter				1	AB	
- 31	AN3102-24-28P		Receptacle				1	AB	
			Attaching Parts						
- 32	AN515-6-8		Screw	-	Round head No. 6-32 x 1/2 in.		4	AB	
	AN960-6		Washer	-	Plain No. 6		4	AB	
	AN365-632		Nut	-	Self locking No. 6-32		4	AB	
- 33	AN3106-24-28S		Plug				1	AB	
- 34	AN3057-16		Adapter				1	AB	
	644-180810		Unit Installation	-	Air mileage indicator (See Figure 94)		Ref	AB	
- 35	644-180812		Tube Assembly	-	Air mileage unit air intake		1	AB	
			Attaching Parts						
- 36	AN526-832R7		Screw	-	Truss head No. 8-32 x 7/16 in.		5	AB	
	AN960-8		Washer	-	Plain No. 8		5	AB	
	AN365-832		Nut	-	Self locking No. 8-32		5	AB	
- 37	106200-H-12-12		Hose	-	Cooling air intake		2	AB	
			Attaching Parts						
- 38	AN737-38		Clamp	-	Hose ( 2 per Hose)		4	AB	
- 39	644-180813		Tube Assembly	-	Air mileage unit air exhaust		1	AB	
			Attaching Parts						
- 40	644-180814		Cover	-	Air mileage unit air exhaust		1	AB	
- 41	AN526-832R7		Screw	-	Truss head No. 8-32 x 7/16		5	AB	
	AN960-8		Washer	-	Plain No. 6		5	AB	

FIGURE and INDEX NUMBER	GROUP FURNISHINGS							Units Per Ass'y	Usage on Code			
	MAJOR ASSEMBLY		CABIN INSTRUMENT PANEL INSTALLATION Cont'd.									
	PART NUMBER	1	2	3	4	5	6			7	NOMENCLATURE	
103 -	AN365-832								Nut - Self locking No. 8-32	5	AB	
- 42	No Number								Indicator - Air Position Mark-1 (Ref RCAF 6B/383)	1	AB	
	No Number								OR Indicator - Air Position Mark 1A (Ref. RCAF 6B/409)	1	AB	
		Attaching Parts										
- 43	AN3-12								Bolt - Aircraft No. 10-32 x 1-1/4 in.	2	AB	
	AN3-34								Bolt - Aircraft No. 10-32 x 3-1/2 in.	1	AB	
- 44	No Number								Unit - Air Mileage Mark 1 (Ref. RCAF 6B/384)	1	AB	
	No Number								OR Unit Air Mileage Mark 2 (Ref. RCAF 6B/547)	1	AB	
		Attaching Parts										
- 45	AN526-832R8								Screw - Truss head No. 8-32 x 1/2 in.	7	AB	
	AN960-8								Washer - Plain No. 8	7	AB	
	AN365-832								Nut - Self locking No. 8-32	7	AB	
- 46	644-180811								Bracket - Air mileage unit support LH	1	AB	
- 47	644-180811-1								Bracket - Air mileage unit support RH	1	AB	
		Attaching Parts										
- 48	AN526-832R7								Screw - Truss head No. 8-32 x 7/16 in.	4	AB	
- 49	AN773-4								Fitting Assembly	2	AB	
- 50	AN737-22								Clamp - Hose	2	AB	
- 51	AN749-3-8								Jumper	1	AB	
- 52	644-180810-4								Hose Assembly - Pitot and static pressure	2	AB	

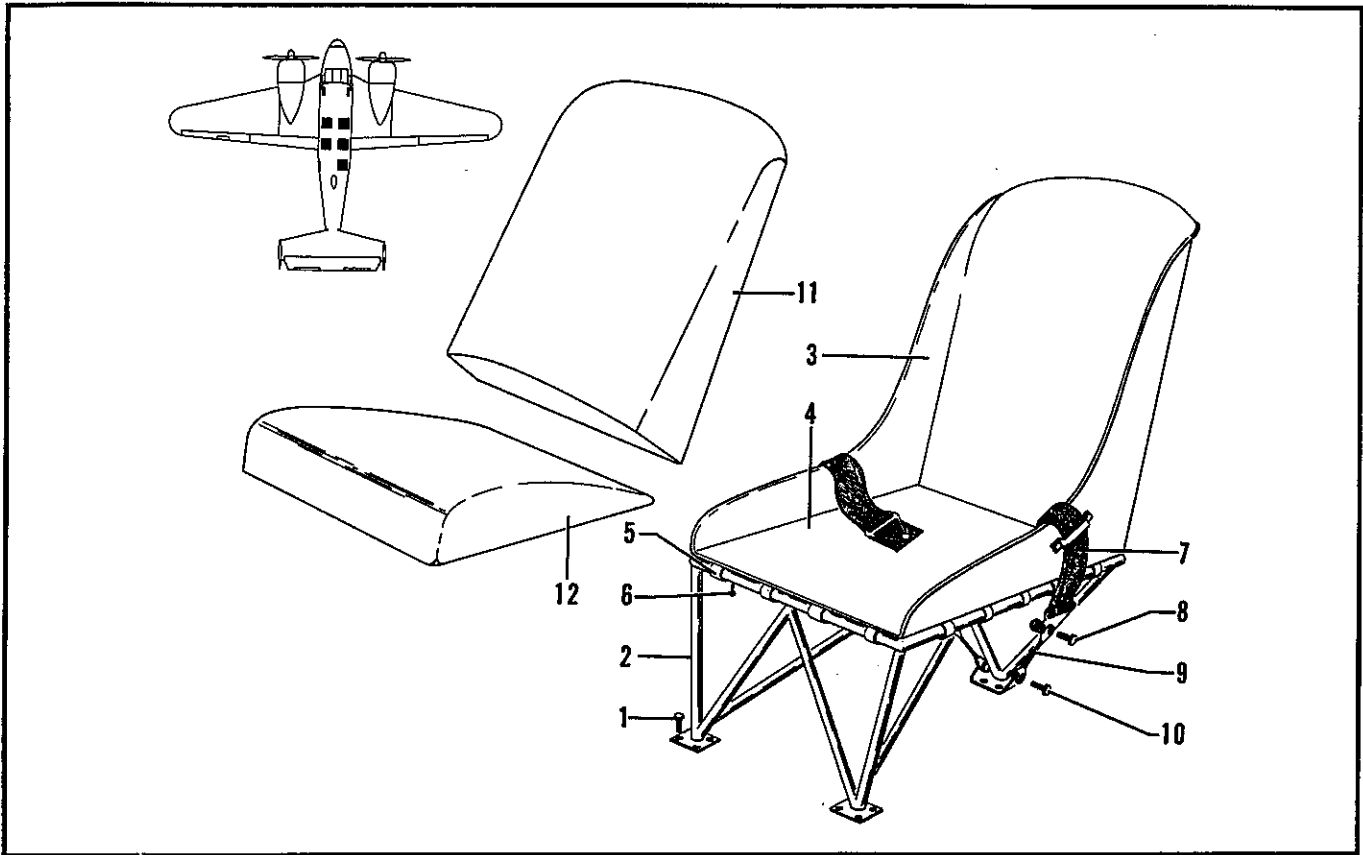


Figure 104 Cabin Seat Assembly

FIGURE and INDEX NUMBER	GROUP FURNISHINGS							Units Per Ass'y	Usage on Code	
	MAJOR ASSEMBLY		CABIN SEAT ASSEMBLY							
	PART NUMBER	1	2	3	4	5	6			7
104 -	2MBA3641	Seat Assembly - Cabin - (see Figure 95)							Ref	D
	2MBA3641-1*	Seat Assembly - Cabin - Rear RH							Ref	D
		Attaching Parts								
- 1	AN3-11A	Bolt - Aircraft No. 10-32 x 1-1/8 in.							12	ALL
- 2	4MBA3640	Seat Leg Assembly - Cabin							1	D
	4MBA3640-20*	Seat Leg Assembly - Cabin rear RH							1	D
- 3	824-183301	Bucket Assembly - c/w upholstery							1	D
- 4	84-183365	Board - Seat pan							1	D
- 5	AN741-6P	Clamp - 3/4 in. dia.							18	D
		Attaching Parts								
- 6	AN526-1032-20	Screw - Truss head No. 10-32 x 2 in.							18	ALL
	AN960-10	Washer - Plain No. 10							18	ALL
	AN365-1032	Nut - Self locking No. 10-32							18	ALL
- 7	B-11	Belt Assembly - Safety (Ref. RCAF 15E3)							1	D
		Attaching Parts								
- 8	AN4-7A	Bolt - Aircraft No. 1/4-28 x 7/8 in.							2	ALL



FIGURE and INDEX NUMBER	GROUP FURNISHINGS							Units Per Ass'y	Usage on Code		
	MAJOR ASSEMBLY			CABIN SEAT ASSEMBLY Cont'd							
	PART NUMBER	1	2	3	4	5	6			7	NOMENCLATURE
104	AN960-416								Washer - Plain No. 1/4	2	ALL
	AN365-428								Nut - Self locking No. 1/4-28	2	ALL
- 9	84-180690								Cable Assembly - Safety belt	2	D
									Attaching Parts		
- 10	AN3-5								Bolt - Aircraft No. 10-32 x 5/8 in.	1	ALL
	AN310-3								Nut - Castellated No. 10-32	1	ALL
	AN380-2-2								Pin - Cotter 1/16 x 1/2 in.	1	ALL
- 11	824-183316								Cushion Assembly - Seat back	1	D
- 12	824-183317								Cushion Assembly - Seat Bottom	1	D
									* 2MBA3641-1 Seat Assembly same as 2MBA 3641 except 4MBA3640 replaced by 4MBA3640-20 Seat leg Assembly		

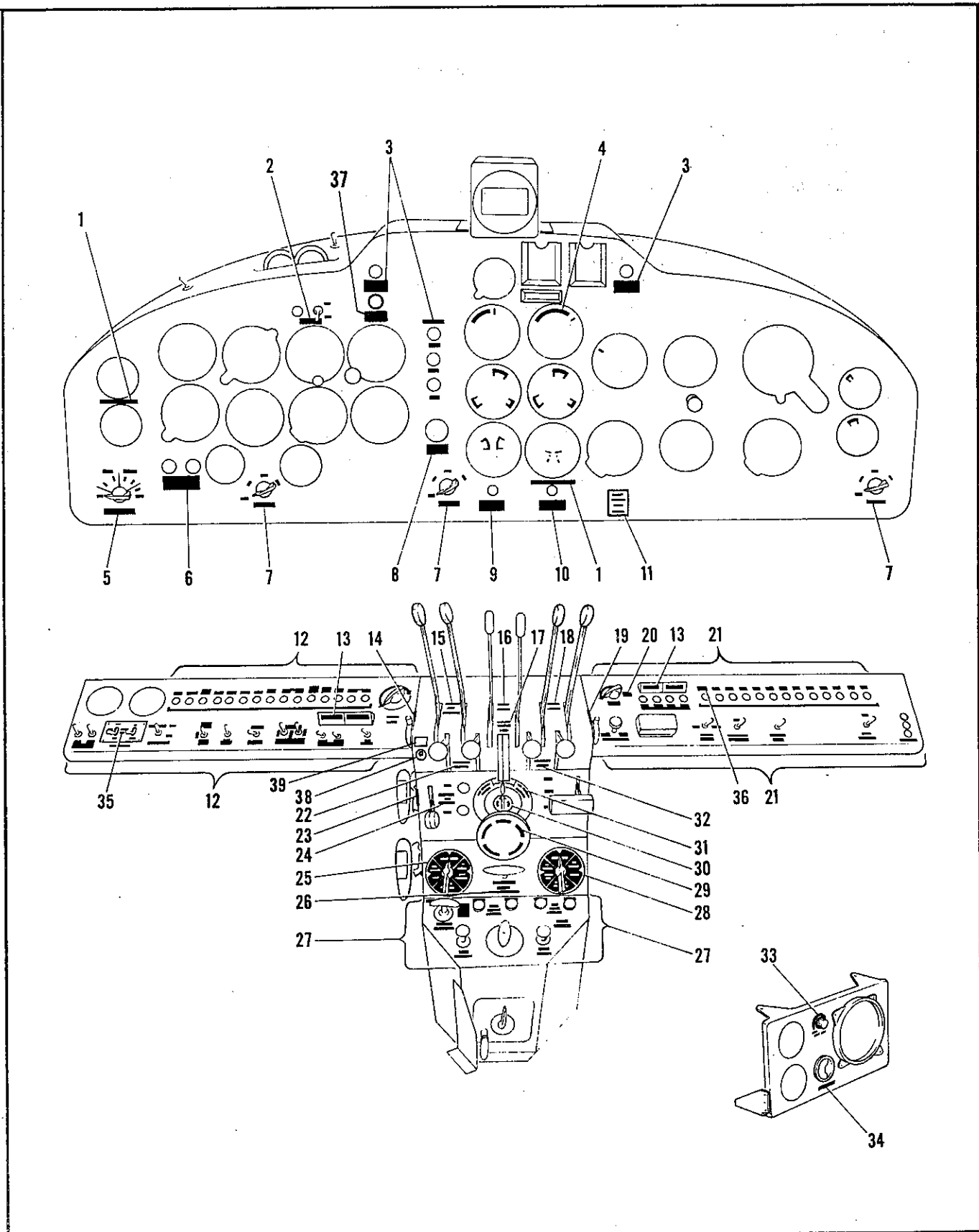


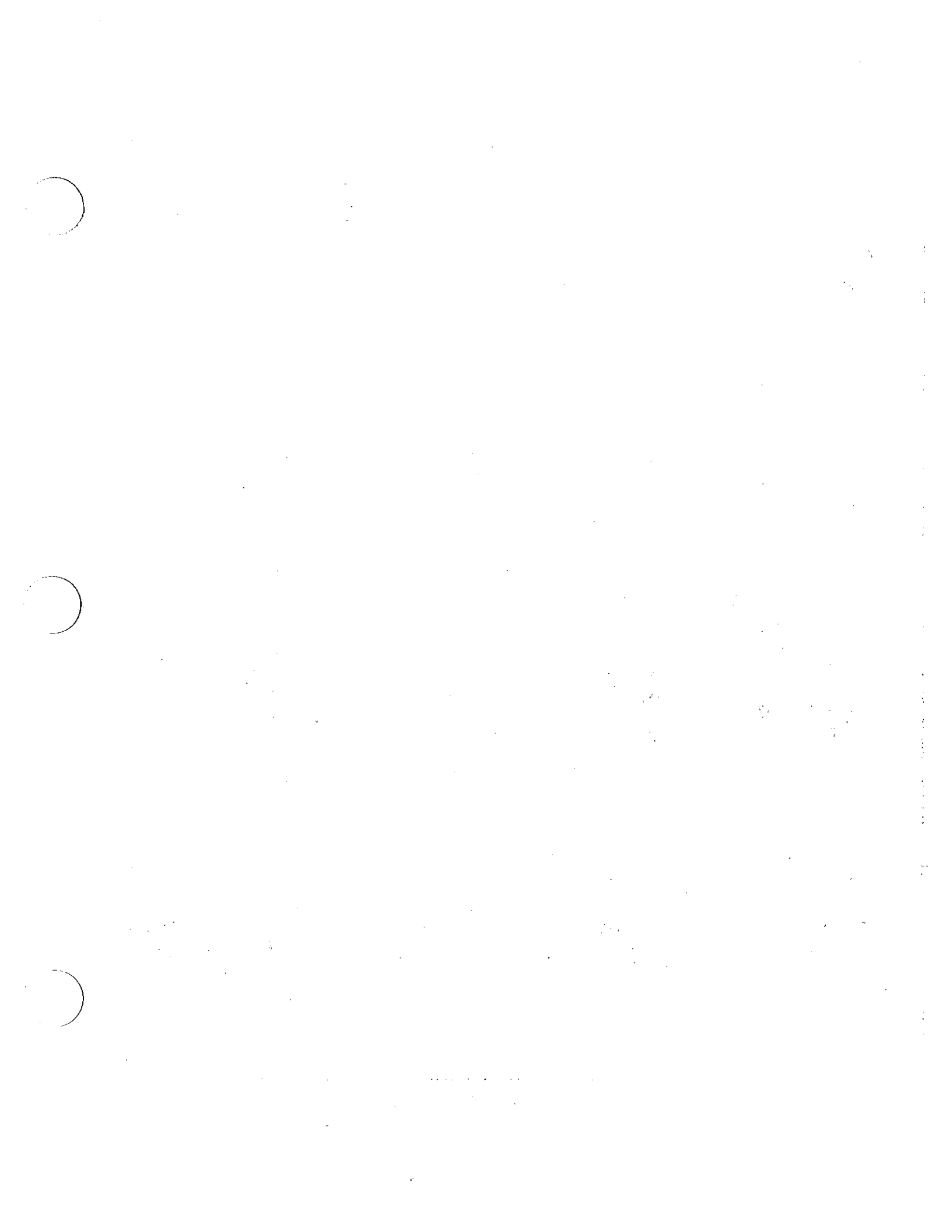
Figure 105 (Issue 2) Decals and Placards Installation

FIGURE and INDEX NUMBER	GROUP FURNISHINGS		Units	Usage
	MAJOR ASSEMBLY DECAL AND PLACARD INSTALLATION		Per	on
	PART NUMBER	1 2 3 4 5 6 7 NOMENCLATURE	Ass'y	Code
105 - 1	No Number	Type 1 - Free Air and Carburettor Air (Spec. 17012)	2	ALL
- 2	644-180045	Gyro Horizon Erection Unit	1	ALL
- 3	404-180066	Marker Beacon & Fuel Warning	3	ALL
- 4	4MBA6827	Instrument Markings	1	ALL
- 5	644-180063	Fuel Gauge Selector - Imperial Gallons	1	ALL
- 6	No Number	Fire Detector (EO 05-45B-6A/51)	1	ALL
- 7	407-180015	Instrument Lighting	3	ALL
- 8	1MBA13356	Undercarriage Warning Horn	1	ALL
- 9	13315-1	Generator Warning Port	1	ALL
- 10	13315-2	Generator Warning Stb'd.	1	ALL
- 11	1MBA13294	Anti-Icer Control	1	ALL
- 12	644-180172	Oil Dilution - Left - Right, Fire Detection - Left - Right - on - Test, Windshield Wiper - Fast-Slow-off-Do not operate on dry glass, Pitot Heat - Off, Navigation Light - Flashing - Off - Steady, Landing Lights - Extend Off - Retract-Left-Right, Generator - Left Off - Right Off, Battery - Off, Compass Light - Off-Bright, Circuit Breakers - Press to Reset - Fire Detection, Windshield Wiper, Ignition Booster, Pitot Heat, Oil Dilution, Navigation Lights, Landing Gear Warning Horn, Landing Light Lamp - Left-Right, Fuel Gauge and Warning Lights, Landing and Vacuum Warning Lights, Carburettor Mixture Temperature, Landing Light Motor - Left-Right, Landing Gear Control - Pull to Open.	1	ALL
- 13	180006	Master Switch	2	ALL
- 14	404-180091	Friction Lock Propeller Main Heat	1	ALL
- 15	404-180080	Propeller - Push - Takeoff	1	ALL
- 16	404-180086	Throttle - Push - Open	1	ALL
- 17	404-180090	Friction Lock Throttle	1	ALL
- 18	404-180081	Mixture - Push - Rich	1	ALL
- 19	404-180092	Friction Lock - Oil Shutter	1	ALL
- 20	1MBA13300	"Normal" Anti-Icer Knob	1	ALL
- 21	644-180173	De-Icer - Pull on - Push off, Propeller Anti-Icer - Off - Maximum, Ignition Booster, Starter, Starter Selector - Left-Right, Gyrosyn Compass De-slaving Switch - On - Off, Cabin Dome Lights - On - Off, Magnetos - Left Engine Off Off - Right Engine Off Off, Circuit Breakers - Press-to-Reset (Anti-Icer Motor, Fluorescent and Instrument Lights, Flap and Elevator Tab Indicator, De-Icer, Cabin and Reading Lights, Flap Motor, Left Oil Temperature, Right Oil Temperature, Airmileage Unit, Gyrosyn Compass DC Power, Bank and Turn Indicator, Inverter), Spare Bulbs.	1	ALL

Part 2  
Group Assembly Part List

EO 05-45B-4

FIGURE and INDEX NUMBER	GROUP FURNISHINGS							Units Per Ass'y	Usage on Code	
	MAJOR ASSEMBLY DECAL AND PLACARD INSTALLATION Cont'd.									
	PART NUMBER	1	2	3	4	5	6 7			NOMENCLATURE
105 - 22	404-180085							Manifold Heat - Lift - Rich	1	ALL
- 23	734-180063							Landing Gear Switch Emergency Release - Press.	1	ALL
- 24	404-180048							Landing Gear Position - Up - Down	1	ALL
- 25	2MBA13595							Left Engine - Off - Left Front - Left Rear - Nose	1	ALL
- 26	404-180120							Tail Wheel - Pull and Turn to Unlock	1	ALL
- 27	407-180027							Parking Brake - To Lock Depress Pedals and Pull - To Release Push or Depress Pedals, Left Oil Shut-off - Pull Closed, Right Oil Shut Off - Pull Closed, Oil By-Pass - Pull - Hot-Left-Right, Cabin Heat - Push-Hot Left-Right, Fire Extinguisher - Select Engine, Pull Handle	1	ALL
- 28	2MBA13595-1							Right Engine - Off - Right Front - Right Rear - Nose	1	ALL
- 29	50-524128							Aileron Tab - Left Up - Wing - Right Up	1	ALL
- 30	404-180124							Aileron Tab - Left Up - Wing - Right Up	1	ALL
- 31	404-180014							L. T. Wing Down - R. T. Wing Down	1	ALL
- 32	404-180087							Oil Shutter - Lift Cold	1	ALL
- 33	644-180037							Table Light On - Off	1	ALL
- 34	No Number							Type 1 Free Air (Spec. 17012)	1	ALL
- 35	111-71019							Anti-Collision Lights	1	ALL
- 36	111-71015							Anti-Collision Lights (circuit breaker)	1	ALL
-37	No Number							Inverter Failure (EO 05-45B-6A/190)	1	ALL
38	MS25089-46							Switch - Emergency Over-ride	1	ALL
39								Decal	1	ALL



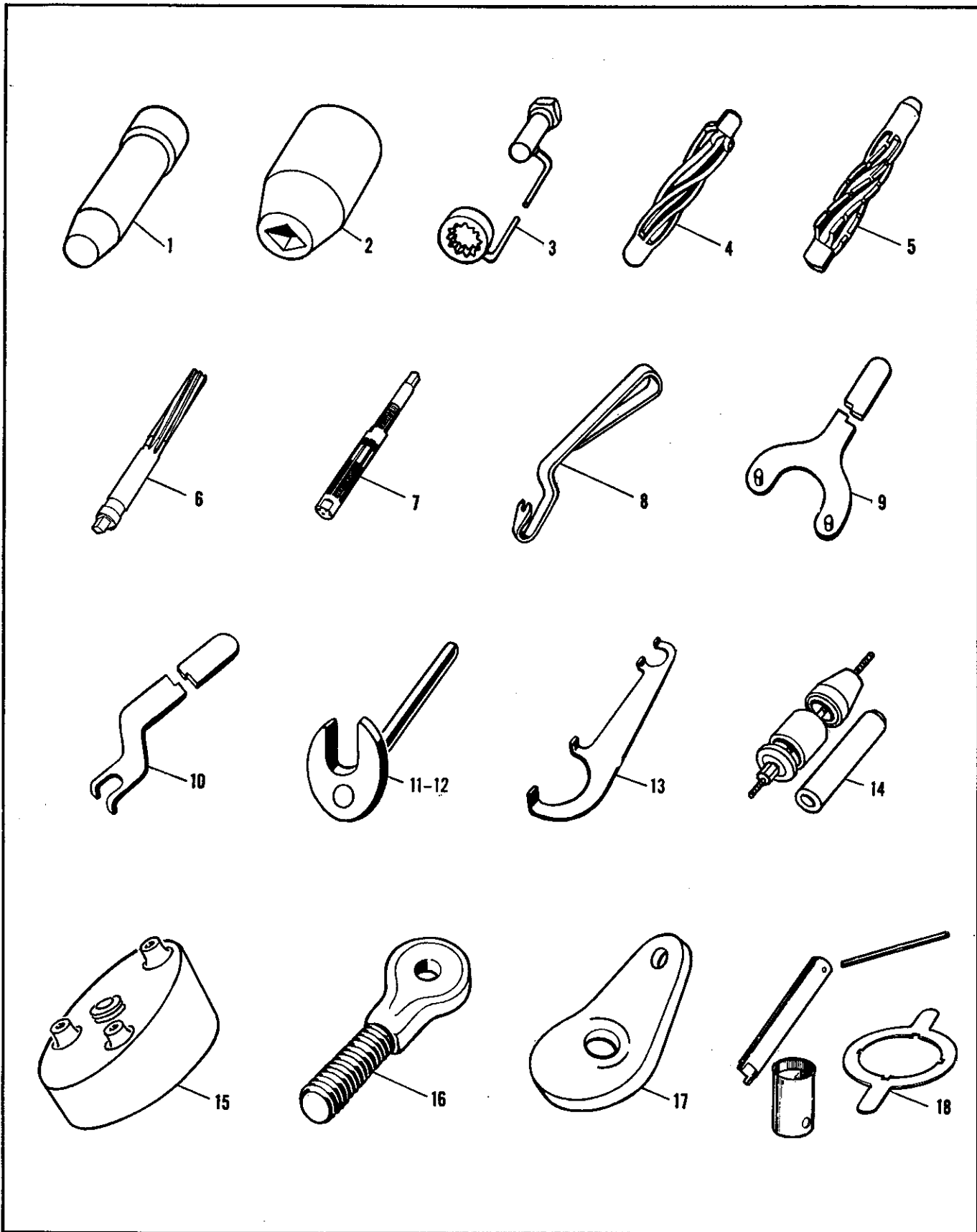


Figure 106 Special Tools

FIGURE and INDEX NUMBER	GROUP SPECIAL TOOLS							Units Per Ass'y	Usage on Code	
	MAJOR ASSEMBLY									
	PART NUMBER	1	2	3	4	5	6 7			NOMENCLATURE
106 - 1	TS669							Pin - Wing aligning, 15/16 x 3-3/8 in.	1	ALL
- 2	182061							Puller - Wing hinge bolt	1	ALL
- 3	TS588							Wrench - Elevator jam nut	1	ALL
- 4	TS101							Reamer - Spiral, wing hinge joint finishing	1	ALL
- 5	TS101R							Reamer - Spiral, wing hinge joint roughing	1	ALL
- 6	No Number							Reamer - Straight spiral fluted 1 in. (Morse Taper)	1	ALL
- 7	No Number							Reamer - Adjustable expansion 15/16 to 1-1/16 in. (Morse Taper)	1	ALL
- 8	TS724							Wrench - Installing cowl fastener, hook	1	ALL
- 9	180131							Wrench - Overload clutch, landing gear	1	ALL
- 10	TS657							Wrench - Rudder tab drive	1	ALL
- 11	TS658A							Wrench - Rudder tab drive, open end 1 in.	1	ALL
- 12	TS658B							Wrench - Rudder tab drive, open end 7/8 in.	1	ALL
- 13	180130							Wrench - Shock absorber, tail strut	1	ALL
- 14	TS691S							Puller - Lord bushing (set of 2 - upper)	1	ALL
	TS691L							Puller - Lord bushing (set of 2 - lower)	1	ALL
- 15	84-180930							Pad - Wing jack LH	1	ALL
	84-180930-1							Pad - Wing jack RH	1	ALL
- 16	18092							Eyebolt - Airplane hoisting (set of 2)	1	ALL
- 17	18091-1							Lug - Airplane hoisting (set of 2)	1	ALL
- 18	KS22D301K							Propeller Tool Kit - Hydromatic propellers	1	ALL
- 19	37388-1							Adjusting Tool - Reduction pulley, rudder control	1	ALL

Special Tools and Ground Handling Equipment

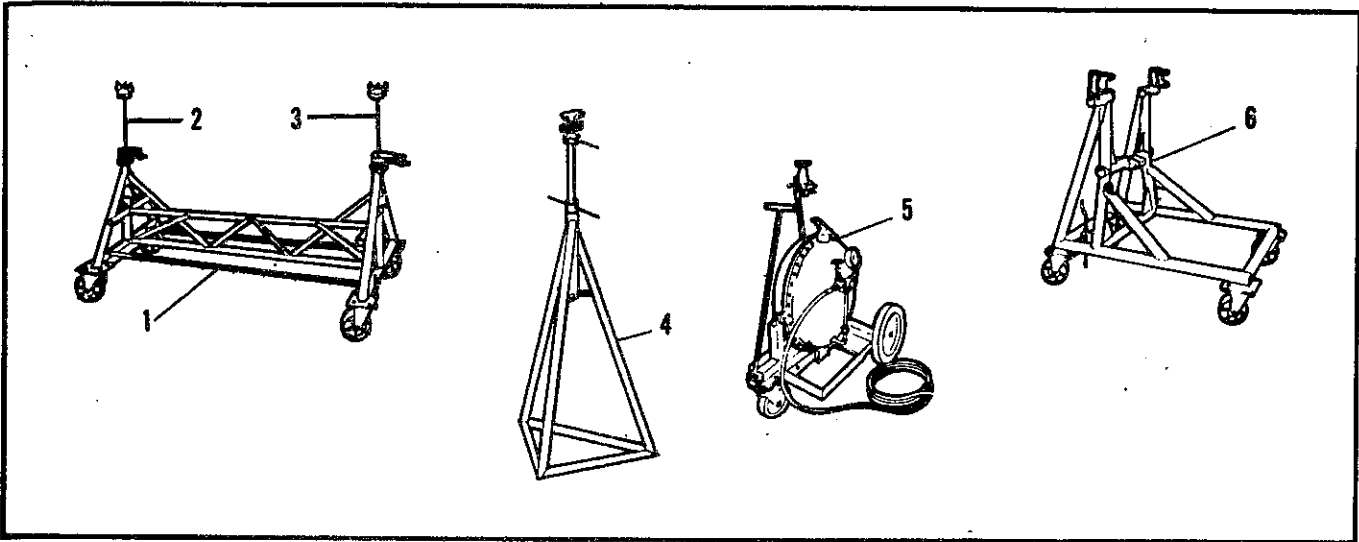


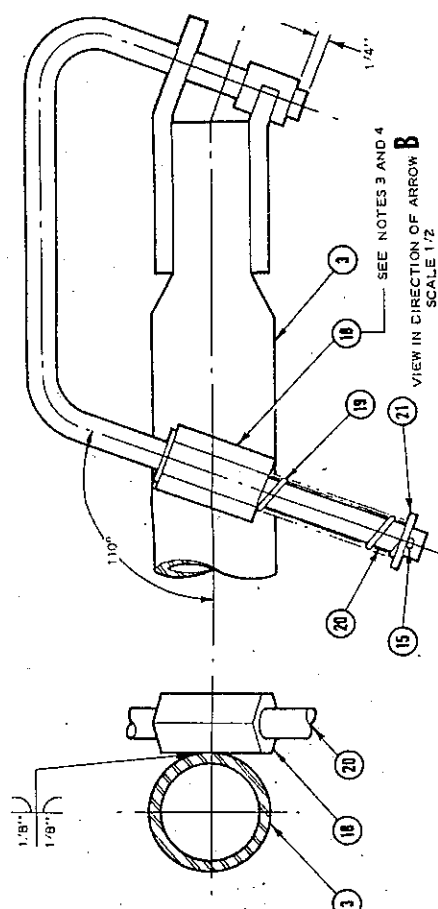
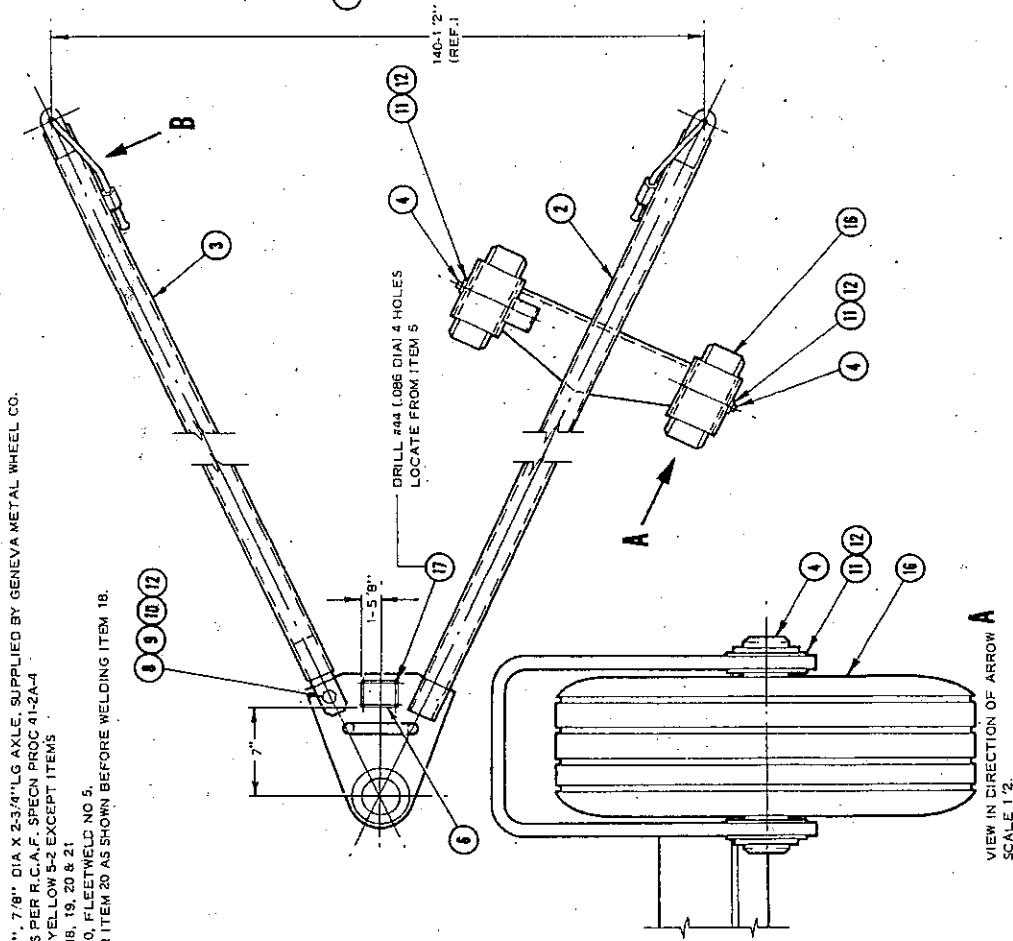
Figure 107 (Issue 1) Ground Handling Equipment

FIGURE and INDEX NUMBER	GROUND HANDLING EQUIPMENT							Units Per Ass'y	Usage on Code		
	MAJOR ASSEMBLY										
	PART NUMBER	1	2	3	4	5	6			7	NOMENCLATURE
107 - 1	TK121								Jack-Airplane Wing	1	ALL
- 2	TK116L								Adapter - Jack to Airplane	1	ALL
- 3	TK116R								Adapter - Jack to Airplane	1	ALL
- 4	No Number								Jack - Tripod Wing	1	ALL
- 5	TK889								Pot - Brake Bleeding	1	ALL
- 6	TK111								Dolly - Airplane Engine	1	ALL
- 7									DELETED		



**NOTES**

1. 8" X 2.50", 7/8" DIA X 2-3/4" LG AXLE, SUPPLIED BY GENEVA METAL WHEEL CO.
2. FINISH AS PER R.C.A.F. SPECN PROC 41-2A-4
3. COLOUR YELLOW 5-2 EXCEPT ITEMS 4, 5, 16, 18, 19, 20 & 21
4. AWS E6010, FLEETWELD NO 5.
5. POSITION ITEM 20 AS SHOWN BEFORE WELDING ITEM 18.



ITEM	DRAWING NO	PART NO.	RCAF STOCK NO.	NAME	NO. REGU. LH. RH.	SIZE AND DESCRIPTION	SPECIFICATION
1	5184	5184-1	422895	MAIN ASSEMBLY	1		
2	43545	43545-1		SHAFT-STATIONARY	1		
3	43545	43545-1		SHAFT-PIVOTED	1		
4	24783	24783-1		AXLE	2		
5	22368	22368-1		NAME PLATE	1		
9		AN12-21	28-20162	BOLT-HEX. HD.	1		
10		AN1310-12	28-295	NUT-CASTLE	1		
11		AN960-1215	28-3729	WASHER-FLAT	1		
12		AN960-1416	28-3730	WASHER-FLAT	8		
15		AN380-4.5	28-12714	PIN-COTTER	5		
16		AN380-4.4		PIN-COTTER	2	NSN 5315-00-839-3322	NOTE 1
17		P230PR-216D		WHEEL	2		
18		ANS35-2.4	28-9633	SCREW DRIVE	4		
19		C65A00457-1		GUIDE	2		
20		C65B00458-1		SPRINGS	2		
21		C65C00459-1		PIN. LOCKING	2		
22		AN950-916L		WASHER. PLAIN	2		
				FOL. WELDING	AS REC'D		SEE NOTE 3

Figure 108 Bar Main Landing Gear Towing

Revised 29 Dec 66



PART NUMBER	SIZE, GAUGE STRAIGHT LENGTH	MATERIAL, SPEC. AND REF. NO.	FITTINGS			
			SLEEVE	QTY	NUT	QTY
<b>ANTI-ICER - DE-ICER SYSTEM</b>						
404-189598	1/4 x .035 x 39 3/16	WW-T-787 Cond. A 57SO 30B/695	AN819-4Z	2	AN818-4D	2
407-189657	5/8 x .035 x 47 1/2	WW-T-787 Cond. A 57SO 30B/981	AN819-10Z	2	AN818-10D	2
644-181021-4	5/8 x .035 x 81 1/4	WW-T-787 Cond. A 57SO 30B/981	AN819-10Z	2	AN818-10D	2
644-181021-8	5/8 x .035 x 24 5/8	WW-T-787 Cond. A 57SO 30B/981	AN819-10Z	2	AN818-10D	2
644-181021-12	5/8 x .035 x 12 7/8	WW-T-787 Cond. A 57SO 30B/981	AN819-10Z	1	AN818-10D	1
644-181021-16	5/8 x .035 x 23	WW-T-787 Cond. A 57SO 30B/981	AN819-10Z	1	AN818-10D	1
644-189647-2	1/4 x .035 x 12 1/4	WW-T-787 Cond. A 57SO 30B/695	AN819-4Z	1	AN818-4D	1
644-189647-6	1/4 x .035 x 12 5/16	WW-T-787 Cond. A 57SO 30B/695	AN819-4Z	2	AN818-4D	2
644-189647-10	1/4 x .035 x 11 5/16	WW-T-787 Cond. A 57SO 30B/695	AN819-4Z	2	AN818-4D	2
644-189647-14	1/4 x .035 x 3 7/8	WW-T-787 Cond. A 57SO 30B/695	AN819-4Z	2	AN818-4D	2
644-189647-18	1/4 x .035 x 2 5/16	WW-T-787 Cond. A 57SO 30B/695	AN819-4Z	2	AN818-4D	2
644-189647-22	1/4 x .035 x 10 5/8	WW-T-787 Cond. A 57SO 30B/695	AN819-4Z	2	AN818-4D	2
644-189647-26	1/4 x .035 x 7 3/4	WW-T-787 Cond. A 57SO 30B/695	AN819-4Z	2	AN818-4D	2
644-189648-6	1/4 x .035 x 38	WW-T-787 Cond. A 57SO 30B/695	AN819-4Z	2	AN818-4D	2
644-189648-10	1/4 x .035 x 11 3/16	WW-T-787 Cond. A 57SO 30B/695	AN819-4Z	2	AN818-4D	2
644-189648-14	1/4 x .035 x 40 3/8	WW-T-787 Cond. A 57SO 30B/695	AN819-4Z	2	AN818-4D	2

Part 4  
Bulk Material Tables

PART NUMBER	SIZE, GAUGE STRAIGHT LENGTH	MATERIAL, SPEC. AND REF. NO.	FITTINGS			
			SLEEVE	QTY	NUT	QTY
<b>ANTI-ICER - DE-ICER SYSTEM (Cont'd)</b>						
644-189648-18	1/4 x .035 x 22 1/8	WW-T-787 Cond. A 57SO 30B/695	AN819-4Z	2	AN818-4D	2
644-189648-22	1/4 x .035 x 47 7/16	WW-T-787 Cond. A 57SO 30B/795	AN819-4Z	2	AN818-4D	2
644-189648-30	1/4 x .035 x 35 1/2	WW-T-787 Cond. A 57SO 30B/695	AN819-4Z	2	AN818-4D	2
644-189648-34	1/4 x .035 x 33 3/16	WW-T-787 Cond. A 57SO 30B/695	AN819-4Z	2	AN818-4D	2
644-189691-2	5/8 x .035 x 37 1/2	WW-T-787 Cond. A 57SO 30B/981	AN819-10Z	2	AN818-10D	2
644-189691-6	5/8 x .035 x 27 1/16	WW-T-787 Cond. A 57SO 30B/981	AN819-10Z	2	AN818-10D	2
644-189691-10	5/8 x .035 x 37 5/8	WW-T-787 Cond. A 57SO 30B/981	AN819-10Z	2	AN818-10D	2
644-189691-14	5/8 x .035 x 36 3/4	WW-T-787 Cond. A 57SO 30B/981	AN819-10Z	2	AN818-10D	2
644-189691-18	5/8 x .035 x 25 5/8	WW-T-787 Cond. A 57SO 30B/981	AN819-10Z	2	AN818-10D	2
644-189691-22	5/8 x .035 x 28 1/8	WW-T-787 Cond. A 57SO 30B/981	AN819-10Z	2	AN818-10D	2
644-189691-26	5/8 x .035 x 27 3/4	WW-T-787 Cond. A 57SO 30B/981	AN819-10Z	2	AN818-10D	2
644-189691-30	5/8 x .035 x 36 1/8	WW-T-787 Cond. A 57SO 30B/981	AN819-10Z	2	AN818-10D	2
644-189691-34	5/8 x .035 x 24 7/8	WW-T-787 Cond. A 57SO 30B/981	AN819-10Z	2	AN818-10D	2
644-189691-38	5/8 x .035 x 37 9/16	WW-T-787 Cond. A 57SO 30B/981	AN819-10Z	2	AN818-10D	2
644-189691-42	5/8 x .035 x 41 13/16	WW-T-787 Cond. A 57SO 30B/981	AN819-10Z	2	AN818-10D	2
644-189691-46	5/8 x .035 x 42 3/8	WW-T-787 Cond. A 57SO 30B/981	AN819-10Z	2	AN818-10D	2

PART NUMBER	SIZE, GAUGE STRAIGHT LENGTH	MATERIAL, SPEC. AND REF. NO.	FITTINGS			
			SLEEVE	QTY	NUT	QTY
<b>ANTI-ICER - DE-ICER SYSTEM (Cont'd)</b>						
644-189691-50	5/8 x .035 x 48 5/8	WW-T-787 Cond. A 57SO 30B/981	AN819-10Z	2	AN818-10D	2
644-189691-54	5/8 x .035 x 59 1/4	WW-T-787 Cond. A 57SO 30B/981	AN819-10Z	2	AN818-10D	2
644-189691-58	5/8 x .035 x 119 1/2	WW-T-787 Cond. A 57SO 30B/981	AN819-10Z	2	AN818-10D	2
644-189691-62	5/8 x .035 x 98 1/2	WW-T-787 Cond. A 57SO 30B/981	AN819-10Z	2	AN818-10D	2
644-189691-66	5/8 x .035 x 29 3/4	WW-T-787 Cond. A 57SO 30B/981	AN819-10Z	2	AN818-10D	2
644-189692-2	5/8 x .035 x 15 11/32	WW-T-787 Cond. A 57SO 30B/981	AN819-10Z	1	AN818-10D	1
644-189692-6	5/8 x .035 x 9 3/16	WW-T-787 Cond. A 57SO 30B/981	AN819-10Z	1	AN818-10D	1
644-189692-10	5/8 x .035 x 59 3/16	WW-T-787 Cond. A 57SO 30B/981	AN819-10Z	2	AN818-10D	2
644-189692-14	5/8 x .035 x 57 1/8	WW-T-787 Cond. A 57SO 30B/981	AN819-10Z	2	AN818-10D	2
644-189692-18	5/8 x .035 x 58 15/16	WW-T-787 Cond. A 57SO 30B/981	AN819-10Z	2	AN818-10D	2
644-189692-22	5/8 x .035 x 59 1/4	WW-T-787 Cond. A 57SO 30B/981	AN819-10Z	2	AN818-10D	2
644-189692-26	1/4 x .035 x 34 1/2	WW-T-787 Cond. A 57SO 30B/981	AN819- 4Z	2	AN818- 4D	2
644-189692-30	5/8 x .035 x 12 1/2	WW-T-787 Cond. A 57SO 30B/981	AN819-10Z	1	AN818-10D	1
644-189692-34	5/8 x .035 x 14	WW-T-787 Cond. A 57SO 30B/981	AN819-10Z	1	AN818-10D	1
644-189692-38	5/8 x .035 x 16	WW-T-787 Cond. A 57SO 30B/981	AN819-10Z	1	AN818-10D	1
644-189692-42	5/8 x .035 x 15 5/8	WW-T-787 Cond. A 57SO 30B/981	AN819-10Z	1	AN818-10D	1

PART NUMBER	SIZE, GAUGE STRAIGHT LENGTH	MATERIAL, SPEC. AND REF. NO.	FITTINGS			
			SLEEVE	QTY	NUT	QTY
<b>ANTI-ICER - DE-ICER SYSTEM (Cont'd)</b>						
644-189692-46	5/8 x .035 x 27 1/2	WW-T-787 Cond. A 57SO 30B/981	AN819-10Z	2	AN818-10D	2
644-189692-50	5/8 x .035 x 10 9/16	WW-T-787 Cond. A 57SO 30B/981	AN819-10Z	2	AN818-10D	2
644-189692-54	5/8 x .035 x 12 1/2	WW-T-787 Cond. A 57SO 30B/981	AN819-10Z	1	AN818-10D	1
644-189692-58	5/8 x .035 x 16 13/16	WW-T-787 Cond. A 57SO 30B/981	AN819-10Z	1	AN818-10D	1
644-189692-62	5/8 x .035 x 32 1/2	WW-T-787 Cond. A 57SO 30B/981	AN819-10Z	1	AN818-10D	1
644-189692-66	5/8 x .035 x 33 1/16	WW-T-787 Cond. A 57SO 30B/981	AN819-10Z	2	AN818-10D	2
644-189693-2	5/8 x .035 x 23 5/8	WW-T-787 Cond. A 57SO 30B/981	AN819-10Z	1	AN818-10D	1
644-189693-6	5/8 x .035 x 29 1/4	WW-T-787 Cond. A 57SO 30B/981	AN819-10Z	2	AN818-10D	2
644-189693-10	5/8 x .035 x 26 1/8	WW-T-787 Cond. A 57SO 30B/981	AN819-10Z	1	AN818-10D	1
644-189693-14	5/8 x .035 x 8 13/16	WW-T-787 Cond. A 57SO 30B/981	AN819-10Z	1	AN818-10D	1
644-189693-18	5/8 x .035 x 8 1/2	WW-T-787 Cond. A 57SO 30B/981	-	-	-	-
644-189693-22	5/8 x .035 x 16 3/16	WW-T-787 Cond. A 57SO 30B/981	AN819-10Z	2	AN818-10D	2
644-189693-26	5/8 x .035 x 12 1/4	WW-T-787 Cond. A 57SO 30B/981	AN819-10Z	1	AN818-10D	1
644-189693-30	5/8 x .035 x 8 1/2	WW-T-787 Cond. A 57SO 30B/981	AN819-10Z	1	AN818-10D	1
644-189693-34	5/8 x .035 x 12 1/8	WW-T-787 Cond. A 57SO 30B/981	AN819-10Z	2	AN818-10D	2
644-189693-38	5/8 x .035 x 9 1/16	WW-T-787 Cond. A 57SO 30B/981	AN819-10Z	2	AN818-10D	2

PART NUMBER	SIZE, GAUGE STRAIGHT LENGTH	MATERIAL, SPEC. AND REF. NO.	FITTINGS			
			SLEEVE	QTY	NUT	QTY
<b>ANTI-ICER - DE-ICER SYSTEM (Cont'd)</b>						
644-189693-42	5/8 x .035 x 16 5/16	WW-T-787 Cond. A 57SO 30B/981	AN819-10Z	2	AN818-10D	2
644-189693-46	5/8 x .035 x 10 5/16	WW-T-787 Cond. A 57SO 30B/981	AN819-10Z	2	AN818-10D	2
644-189693-50	5/8 x .035 x 4 3/4	WW-T-787 Cond. A 57SO 30B/981	AN819-10Z	2	AN818-10D	2
644-189693-54	1/4 x .035 x 27 11/16	WW-T-787 Cond. A 57SO 30B/695	AN819-4Z	2	AN818-4 D	2
734-189681	1/4 x .035 x 22 1/8	WW-T-787 Cond. A 57SO 30B/695	AAF811- BT-4CS	2	AAF811- BT-4D	2
734-189682	1/4 x .035 x 26 1/4	WW-T-787 Cond. A 57SO 30B/695	AN819-4Z	2	AN818-4D	2
734-189685	1/4 x .035x 26 11/16	WW-T-787 Cond. A 57SO 30B/695	AN819-4Z	2	AN818-4D	2
<b>FUEL SYSTEM</b>						
2MBA13501	3/8 x .035 x 1 1/8	WW-T-787 Cond. A 57SO 30B/551	AN819-6Z	1	AN818-6D	1
2MBA13502	1/4 x .035 x 17 1/2	WW-T-787 Cond. A 57SO 30B/695	AN819-4Z	1	AN818-4D	1
2MBA13503	1/4 x .035 x 15	WW-T-787 Cond. A 57SO 30B/695	AN819-4Z	2	AN818-4D	2
2MBA13504	1/4 x .035 x 42 3/4	WW-T-787 Cond. A 57SO 30B/695	AN819-4Z	2	AN818-4D	2
2MBA13505	1/4 x .035 x 62 3/4	WW-T-787 Cond. A 57SO 30B/695	AN819-4Z	2	AN818-4D	2
2MBA13506	1/4 x .035 x 31 1/2	WW-T-787 Cond. A 57SO 30B/695	AN819-4Z	2	AN818-4D	2
404-189653	1/4 x .035 x 41 5/8	WW-T-787 Cond. A 57SO 30B/695	AN819-4Z	2	AN818-4D	2
404-189657	1/4 x .035 x 40 1/4	WW-T-787 Cond. A 57SO 30B/695	AN819-4Z	2	AN818-4D	2

PART NUMBER	SIZE, GAUGE STRAIGHT LENGTH	MATERIAL, SPEC. AND REF. NO.	FITTINGS			
			SLEEVE	QTY	NUT	QTY
<b>FUEL SYSTEM (Cont'd)</b>						
404-189660	1/4 x .035 x 13	WW-T-787 Cond. A 57SO 30B/695	AN819-4Z	2	AN818-4D	2
404-189662	1/4 x .035 x 11 7/8	WW-T-787 Cond. A 57SO 30B/695	AN819-4Z	2	AN818-4D	2
404-189666	1/4 x .035 x 14 1/2	WW-T-787 Cond. A 57SO 30B/695	AN819-4Z	2	AN818-4D	2
404-189747	1/4 x .035 x 11 5/8	WW-T-787 Cond. A 57SO 30B/695	AN819-4Z	2	AN818-4D	2
404-189748	1/4 x .035 x 39 7/16	WW-T-787 Cond. A 57SO 30B/695	AN819-4Z	2	AN818-4D	2
404-189833	5/8 x .042 x 7 3/16	WW-T-787 Cond. A 57SO 30B/980	AN819-10Z	2	AN818-10D	2
404-189834	5/8 x .042 x 15 5/8	WW-T-787 Cond. A 57SO 30B/980	AN819-10Z	2	AN818-10D	2
404-189835	5/8 x .042 x 5	WW-T-787 Cond. A 57SO 30B/980	AN819-10Z	2	AN818-10D	2
407-189604	5/8 x .042 x 6 3/8	WW-T-787 Cond. A 57SO 30B/980	AN819-10Z	2	AN818-10D	2
407-189679	5/8 x .042 x 18 3/8	WW-T-787 Cond. A 57SO 30B/980	AN819-10Z	2	AN818-10D	2
407-189681	5/8 x .042 x 31 1/2	WW-T-787 Cond. A 57SO 30B/980	AN819-10Z	2	AN818-10D	2
407-189682	5/8 x .042 x 36 3/16	WW-T-787 Cond. A 57SO 30B/980	AN819-10Z	2	AN818-10D	2
407-189683	5/8 x .042 x 29	WW-T-787 Cond. A 57SO 30B/980	AN819-10Z	2	AN818-10D	2
407-189684	5/8 x .042 x 28 3/4	WW-T-787 Cond. A 57SO 30B/980	AN819-10Z	2	AN818-10D	2
407-189685	5/8 x .042 x 36 3/8	WW-T-787 Cond. A 57SO 30B/980	AN819-10Z	2	AN818-10D	2
407-189686	5/8 x .042 x 33 7/8	WW-T-787 Cond. A 57SO 30B/980	AN819-10Z	2	AN818-10D	2



PART NUMBER	SIZE, GAUGE STRAIGHT LENGTH	MATERIAL, SPEC. AND REF. NO.	FITTINGS			
			SLEEVE	QTY	NUT	QTY
<b>FUEL SYSTEM (Cont'd)</b>						
407-189687	5/8 x .042 x 24-1/2	WW-T-787 Cond. A 57SO 30B/980	AN819-10Z	2	AN818-10D	2
407-189688	5/8 x .042 x 79-3/8	WW-T-787 Cond. A 57SO 30B/980	-	-	-	-
407-189689	5/8 x .042 x 21-11/16	WW-T-787 Cond. A 57SO 30B/980	AN819-10Z	1	AN818-10D	1
407-189728	1/4 x .042 x 79-3/8	WW-T-787 Cond. A 57SO 30B/-	-	-	-	-
407-189729	5/8 x .042 x 24-3/16	WW-T-787 Cond. A 57SO 30B/980	AN819-10Z	1	AN818-10D	1
407-189730	5/8 x .042 x 21-1/2	WW-T-787 Cond. A 57SO 30B/980	AN819-10Z	1	AN818-10D	1
407-189731	5/8 x .042 x 34-1/16	WW-T-787 Cond. A 57SO 30B/980	AN819-10Z	2	AN818-10D	2
407-189732	5/8 x .042 x 13	WW-T-787 Cond. A 57SO 30B/980	AN819-10Z	1	AN818-10D	1
407-189733	5/8 x .042 x 9-11/16	WW-T-787 Cond. A 57SO 30B/980	AN819-10Z	1	AN818-10D	1
407-189747	5/8 x .042 x 14	WW-T-787 Cond. A 57SO 30B/980	AN819-10Z	1	AN818-10D	1
644-189603	5/8 x .042 x 44-7/16	WW-T-787 Cond. A 57SO 30B/980	AN819-10Z	2	AN818-10D	2
644-189751	1/4 x .035 x 30-5/16	WW-T-787 Cond. A 57SO 30B/695	AN819-4Z	2	AN818-4D	2
644-189012-9	1/4 x .035 x 14-3/4	WW-T-787 Cond. A 57SO 30B/695	AN819-4Z	1	AN818-4D	1
644-189012-12	1/4 x .049 x 9-1/4	WW-T-787 Cond. A 57SO 30B/695	AN819-4Z	1	AN818-4D	1
644-189012-25	1/4 x .035 x 8-1/4	WW-T-787 Cond. A 57SO 30B/695	AN819-4Z	1	AN818-4D	1
644-189752	1/4 x .035 x 26-1/2	WW-T-787 Cond. A 57SO 30B/695	AN819-4Z	2	AN818-4D	2

PART NUMBER	SIZE, GAUGE STRAIGHT LENGTH	MATERIAL, SPEC. AND REF. NO.	FITTINGS			
			SLEEVE	QTY	NUT	QTY
<b>FUEL SYSTEM (Cont'd)</b>						
644-189753	1/4 x .035 x 2 7/8	MIL-T-6845 SAE 18-8 30B/1963	AN819-4	2	AN818-4	2
644-189754	1/4 x .035 x 2 1/4	MIL-T-6845 SAE 18-8 30B/1963	AN819-4	2	AN818-4	2
694-189702-6	5/8 x .035 x 10 5/8	MIL-T-6845 SAE 18-8 30B/1972	AN819-10	2	AN818-10	2
84-189323	1/4 x .035 x 28 3/8	WW-T-787 Cond. A 57SO 30B/695	AC811T-4CS	1	AC811BT-4D	1
894-189665	1/4 x .035 x 49 5/8	WW-T-787 Cond. A 57SO 30B/695	AN819-4Z	2	AN818-4D	2
894-189666	1/4 x .035 x 50 9/16	WW-T-787 Cond. A 57SO 30B/695	AN819-4Z	2	AN818-4D	2
894-189667	1/4 x .035 x 50 15/16	WW-T-787 Cond. A 57SO 30B/695	AN819-4Z	2	AN818-4D	2
<b>FIRE EXTINGUISHER SYSTEM</b>						
404-183129	1/2 x .042 x 30 5/16	WW-T-787 Cond. A 57SO 30B/974	AN819-8Z	2	AN818-8D	2
404-183139	1/4 x .035 x 32 3/4	WW-T-787 Cond. A 57SO 30B/695	AN819-4Z	1	AN818-4D	1
404-183140	1/4 x .035 x 11 11/16	WW-T-787 Cond. A 57SO 30B/695	AN819-4Z	2	AN818-4D	2
404-183141	1/4 x .035 x 11 1/4	WW-T-787 Cond. A 57SO 30B/695	AN819-4Z	2	AN818-4D	2
404-183142	1/2 x .049 x 29 1/2	WW-T-787 Cond. A 57SO 30B/973	AN819-8Z	1	AN818-8D	1
404-183143	1/2 x .042 x 30 5/16	WW-T-787 Cond. A 57SO 30B/974	AN819-8Z	2	AN818-8D	2
404-189396	1/2 x .042 x 32 1/2	WW-T-787 Cond. A 57SO 30B/974	AN819-8Z	2	AN818-8D	2
404-189398	1/2 x .042 x 28 3/4	WW-T-787 Cond. A 57SO 30B/974	819-8Z	2	AN818-8D	2

PART NUMBER	SIZE, GAUGE STRAIGHT LENGTH	MATERIAL, SPEC. AND REF. NO.	FITTINGS			
			SLEEVE	QTY	NUT	QTY
<b>FIRE EXTINGUISHER SYSTEM (Cont'd)</b>						
404-189399	1/2 x .042 x 20 1/4	WW-T-787 Cond. A 57SO 30B/974	AN819-8Z	2	AN818-8D	2
407-183155	1/2 x .042 x 37.15/16	WW-T-787 Cond. A 57SO 30B/974	AN819-8Z	2	AN818-8D	2
407-183157	1/2 x .042 x 20 11/16	WW-T-787 Cond. A 57SO 30B/974	AN819-8Z	2	AN818-8Z	2
407-183159	1/2 x .042 x 37 9/16	WW-T-787 Cond. A 57SO 30B/974	AN819-8Z	2	AN818-8D	2
407-183162	1/2 x .042 x 36 3/4	WW-T-787 Cond. A 57SO 30B/974	AN819-8Z	2	AN818-8D	2
<b>HYDRAULIC SYSTEM</b>						
404-187879	1/4 x .035 x 18	WW-T-787 Cond. A 57SO 30B/695	AN819-4Z	2	AN818-4D	2
404-187891	1/4 x .035 x 8 5/16	WW-T-787 Cond. A 57SO 30B/695	AN819-4Z	2	AN818-4D	2
404-187897	1/4 x .035 x 16	WW-T-787 Cond. A 57SO 30B/695	AN819-4Z	2	AN818-4D	2
404-187898	1/4 x .035 x 17 11/16	WW-T-787 Cond. A 57SO 30B/695	AN819-4Z	2	AN818-4D	2
404-187899	1/4 x .035 x 16 x 1/2	WW-T-787 Cond. A 57SO 30B/695	AN819-4Z	2	AN818-4D	2
404-188007	1/4 x .035 x 39 7/8	WW-T-787 Cond. A 57SO 30B/695	AN819-4Z	2	AN818-4D	2
404-188008	1/4 x .035 x 23 1/8	WW-T-787 Cond. A 57SO 30B/695	AN819-4Z	2	AN818-4D	2
404-188009	1/4 x .035 x 27 5/8	WW-T-787 Cond. A 57SO 30B/695	AN819-4Z	2	AN818-4D	2
404-188010	1/4 x .035 x 46 3/8	WW-T-787 Cond. A 57SO 30B/695	AN819-4Z	2	AN818-4D	2
404-188011	1/4 x .035 x 33 5/16	WW-T-787 Cond. A 57SO 30B/695	AN819-4Z	2	AN818-4D	2

PART NUMBER	SIZE, GAUGE STRAIGHT LENGTH	MATERIAL, SPEC. AND REF. NO.	FITTINGS			
			SLEEVE	QTY	NUT	QTY
<b>HYDRAULIC SYSTEM (Cont'd)</b>						
404-188013	1/4 x .035 x 35 5/8	WW-T-787 Cond. A 57SO 30B/695	AN819-4Z	2	AN818-4D	2
404-188014	1/4 x .035 x 37	WW-T-787 Cond. A 57SO 30B/695	AN819-4Z	2	AN818-4D	2
404-188015	1/4 x .035 x 14 5/16	WW-T-787 Cond. A 57SO 30B/695	AN819-4Z	2	AN818-4D	2
404-188016	1/4 x .035 x 18 1/16	WW-T-787 Cond. A 57SO 30B/695	AN819-4Z	2	AN818-4D	2
404-188017	1/4 x .035 x 35 5/16	WW-T-787 Cond. A 57SO 30B/695	AN819-4Z	2	AN818-4D	2
404-188018	1/4 x .035 x 36 15/16	WW-T-787 Cond. A 57SO 30B/695	AN819-4Z	2	AN818-4D	2
404-188019	1/4 x .035 x 16 5/16	WW-T-787 Cond. A 57SO 30B/695	AN819-4Z	2	AN818-4D	2
404-188020	1/4 x .035 x 16 5/16	WW-T-787 Cond. A 57SO 30B/695	AN819-4Z	2	AN818-4D	2
694-187898	1/4 x .035 x 14 3/16	WW-T-787 Cond. A 57SO 30B/695	AN819-4Z	2	AN818-4D	2
694-187899	1/4 x .035 x 15	WW-T-787 Cond. A 57SO 30B/695	AN819-4Z	2	AN818-4D	2

PART NUMBER	SIZE, GAUGE STRAIGHT LENGTH	MATERIAL, SPEC. AND REF. NO.	FITTINGS			
			SLEEVE	QTY	NUT	QTY
<b>INSTRUMENT SYSTEM</b>						
404-184744	1/4 x .035 x 92 1/2	WW-T-787 Cond. A 57SO 30B/695	AN819-4Z	2	AN818-4D	2
404-184748	1/4 x .035 x 75 3/4	WW-T-787 Cond. A 57SO 30B/695	AN819-4Z	2	AN818-4D	2
404-184749	1/4 x .035 x 27 3/4	WW-T-787 Cond. A 57SO 30B/695	AN819-4Z	2	AN818-4D	2
404-184752	1/4 x .035 x 25 1/16	WW-T-787 Cond. A 57SO 30B/695	AN819-4Z	2	AN818-4D	2
404-184773	1/4 x .035 x 13 1/2	WW-T-787 Cond. A 57SO 30B/695	AN819-4Z	2	AN818-4D	2
404-184778	1/4 x .035 x 46 7/8	WW-T-787 Cond. A 57SO 30B/695	AN819-4Z	2	AN818-4D	2
404-184779	1/4 x .035 x 47 1/4	WW-T-787 Cond. A 57SO 30B/695	AN819-4Z	2	AN818-4D	2
404-189671	1/4 x .035 x 32 3/4	WW-T-787 Cond. A 57SO 30B/695	AN819-4Z	2	AN818-4D	2
404-189714	1/4 x .035 x 42 1/2	WW-T-787 Cond. A 57SO 30B/695	AN819-4Z	2	AN818-4D	2
404-189790	5/8 x .042 x 28 1/16	WW-T-787 57SO 30B/980	AN819-10Z	1	AN818-10D	1
404-189793	1/4 x .035 x 41 9/16	WW-T-787 57SO 30B/695	AN819-4Z	2	AN818-4D	2
404-189794	1/4 x .035 x 43 5/16	WW-T-787 57SO 30B/695	AN819-4Z	2	AN818-4D	2
404-189797	1/4 x .035 x 41 9/16	WW-T-787 Cond. A 57SO 30B/695	AN819-4Z	2	AN818-4D	2
404-189798	1/4 x .035 x 42	WW-T-787 Cond. A 57SO 30B/695	AN819-4Z	2	AN818-4D	2
404-189799	1/4 x .035 x 44 3/16	WW-T-787 Cond. A 57SO 30B/695	AN819-4Z	2	AN818-4D	2
407-189670	5/8 x .042 x 14 1/16	WW-T-787 Cond. A 57SO 30B/980	AN819-10Z	2	AN818-10D	2

PART NUMBER	SIZE, GAUGE STRAIGHT LENGTH	MATERIAL, SPEC. AND REF. NO.	FITTINGS			
			SLEEVE	QTY	NUT	QTY
<b>INSTRUMENT SYSTEM (Cont'd)</b>						
407-189671	5/8 x .042 x 15 3/8	WW-T-787 Cond. A 57SO 30B/980	AN819-10Z	2	AN818-10D	2
407-189691	1/4 x .035 x 42 3/4	WW-T-787 Cond. A 57SO 30B/695	AN819-4Z	2	AN818-4D	2
407-189692	1/4 x .035 x 40 5/8	WW-T-787 Cond. A 57SO 30B/695	AN819-4Z	2	AN818-4D	2
407-189693	1/4 x .035 x 42	WW-T-787 Cond. A 57SO 30B/695	AN819-4Z	2	AN818-4D	2
407-189695	1/4 x .035 x 17 1/2	WW-T-787 Cond. A 57SO 30B/695	AN819-4Z	2	AN818-4D	2
407-189697	1/4 x .035 x 41 7/8	WW-T-787 Cond. A 57SO 30B/695	AN819-4Z	2	AN818-4D	2
407-189698	1/4 x .035 x 39 1/2	WW-T-787 Cond. A 57SO 30B/695	AN819-4Z	2	AN818-4D	2
407-189699	1/4 x .035 x 41	WW-T-787 Cond. A 57SO 30B/695	AN819-4Z	2	AN818-4D	2
407-189725	1/4 x .035 x 21 3/8	WW-T-787 Cond. A 57SO 30B/695	AN819-4Z	2	AN818-4D	2
407-189726	1/4 x .035 x 17	WW-T-787 Cond. A 57SO 30B/695	AN819-4Z	2	AN818-4D	2
407-189753	5/8 x .042 x 9 5/8	WW-T-787 Cond. A 57SO 30B/980	AN819-10Z	2	AN818-10D	2
644-180810-4	3/4 x .049 x 12	WW-T-787 Cond. A 57SO 30B/983				
644-180812	3/4 x .049 x 12	WW-T-787 Cond. A 57SO 30B/983				
644-180813	3/4 x .049 x 12	WW-T-787 Cond. A 57SO 30B/983				
644-183780-4	1/4 x .035 x 7 1/16	WW-T-787 Cond. A 57SO 30B/695	AN819-4Z	2	AN818-4D	2
644-183780-8	1/4 x .035 x 12	WW-T-787 Cond. A 57SO 30B/695	AN819-4Z	2	AN818-4D	2

PART NUMBER	SIZE, GAUGE STRAIGHT LENGTH	MATERIAL, SPEC. AND REF. NO.	FITTINGS			
			SLEEVE	QTY	NUT	QTY
<b>INSTRUMENT SYSTEM (Cont'd)</b>						
644-183780-12	1/4 x .035 x 18 7/16	WW-T-787 Cond. A 57SO 30B/695	AN819-4Z	2	AN818-4D	2
644-183780-16	1/4 x .035 x 8 1/2	WW-T-787 Cond. A 57SO 30B/695	AN819-4Z	2	AN818-4D	2
644-183780-20	1/4 x .035 x 11 5/8	WW-T-787 Cond. A 57SO 30B/695	AN819-4Z	2	AN818-4D	2
644-183780-24	1/4 x .035 x 5 3/4	WW-T-787 Cond. A 57SO 30B/695	AN819-4Z	2	AN818-4D	2
644-184721-12	1/4 x .035 x 42 1/2	WW-T-787 Cond. A 57SO 30B/695	AN819-4Z	2	AN818-4D	2
644-184721-16	1/4 x .035 x 25 7/8	WW-T-787 Cond. A 57SO 30B/695	AN819-4Z	2	AN818-4D	2
644-184721-20	1/4 x .035 x 19 1/8	WW-T-787 Cond. A 57SO 30B/695	AN819-4Z	2	AN818-4D	2
644-184721-24	1/4 x .035 x 30 1/16	WW-T-787 Cond. A 57SO 30B/695	AN819-4Z	2	AN818-4D	2
644-184721-40	1/4 x .035 x 29	WW-T-787 Cond. A 57SO 30B/695	AN819-4Z	2	AN818-4D	2
644-184721-44	1/4 x .035 x 36 3/4	WW-T-787 Cond. A 57SO 30B/695	AN819-4Z	2	AN818-4D	2
644-184721-48	1/4 x .035 x 76 3/16	WW-T-787 Cond. A 57SO 30B/695	AN819-4Z	2	AN818-4D	2
644-189712	1/4 x .035 x 35 5/16	WW-T-787 Cond. A 57SO 30B/695	AN819-4Z	2	AN818-4D	2
644-189713	1/4 x .035 x 12	WW-T-787 Cond. A 57SO 30B/695	AN819-4Z	2	AN818-4D	2
644-189772	1/4 x .035 x 16 1/16	WW-T-787 Cond. A 57SO 30B/695	AN819-4Z	2	AN818-4D	2
644-189773	1/4 x .035 x 14 3/16	WW-T-787 Cond. A 57SO 30B/695	AN819-4Z	2	AN818-4D	2
894-189783	5/8 x .042 x 7 3/8	WW-T-787 Cond. A 57SO 30B/980	AN819-10Z	2	AN818-10Z	2

PART NUMBER	SIZE, GAUGE STRAIGHT LENGTH	MATERIAL, SPEC. AND REF. NO.	FITTINGS			
			SLEEVE	QTY	NUT	QTY
<b>INSTRUMENT SYSTEM (Cont'd)</b>						
894-189785	5/8 x .042 x 31	WW-T-787 Cond. A 57SO 30B/980	AN819-10Z	2	AN818-10D	2
894-189786	5/8 x .042 x 24 1/2	WW-T-787 Cond. A 57SO 30B/980	AN819-10Z	1	AN818-10D	1
894-189787	5/8 x .042 x 2 1/16	WW-T-787 Cond. A 57SO 30B/980	AN819-10Z	1	AN818-10D	1
894-189792	5/8 x .042 x 24 3/4	WW-T-787 Cond. A 57SO 30B/980	AN819-10Z	1	AN818-10D	1
894-189793	5/8 x .042 x 31 3/16	WW-T-787 Cond. A 57SO 30B/980	AN819-10Z	2	AN818-10D	1
894-189795	5/8 x .042 x 7 3/8	WW-T-787 Cond. A 57SO 30B/980	AN819-10Z	2	AN818-10D	2
901-184778	1/4 x .035 x 55 3/16	WW-T-787 Cond. A 57SO 30B/695	AN819-4Z	2	AN818-4D	2
4MBA 13150	1/4 x .035 x 89 1/8	WW-T-787 Cond. A 57SO 30B/695	AN819-4Z	2	AN818-4D	2
<b>OIL SYSTEM</b>						
644-189748	1/4 x .035 x 24 13/16	WW-T-787 Cond. A 57SO 30B/695	AN819-4Z	1	AN818-4D	1
644-189749	1/4 x .035 x 30 9/16	WW-T-787 Cond. A 57SO 30B/695	AN819-4Z	1	AN818-4D	1
84-189742	1/4 x .035 x 24 15/16	WW-T-787 Cond. A 57SO 30B/695				
84-189743	1/4 x .035 x 42 1/16	WW-T-787 Cond. A 57SO 30B/695				
84-189749	1/4 x .035 x 24 13/16	WW-T-787 Cond. A 57SO 30B/695				
900-189757	1 1/4 x .049 x 7 1/4	WW-T-787 Cond. A 57SO 30B/993				
404-189744	1 x .049 x 14	WW-T-787 Cond. A 57SO 30B/989				



PART NUMBER	SIZE, GAUGE STRAIGHT LENGTH	MATERIAL, SPEC. AND REF. NO.	FITTINGS			
			SLEEVE	QTY	NUT	QTY
<b>OIL SYSTEM (Cont'd)</b>						
84-189744	1 x .049 x 21 1/2	WW-T-787 Cond. A 57SO 30B/989				
404-189752	1 x .049 x 14	WW-T-787 Cond. A 57SO 30B/989				
84-189752	1 x .049 x 22 1/2	WW-T-787 Cond. A 57SO 30B/989				
704-189757	1 x .049 x 9 1/4	WW-T-787 Cond. A 57SO 30B/989				
704-189747	1 x .049 x 7 1/4	WW-T-787 Cond. A 57SO 30B/989				
94-189741	1 x .049 x 16	WW-T-787 Cond. A 57SO 30B/989				
94-189742	1 x .049 x 11 1/2	WW-T-787 Cond. A 57SO 30B/989				
<b>PROPELLER FEATHERING SYSTEM</b>						
404-189086	1/2 x .042 x 24 1/16	WW-T-787 Cond. A 57SO 30B/974	AN819-8Z	2	AN818-8D	2
644-189087	1/2 x .042 x 41 1/16	WW-T-787 Cond. A 57SO 30B/974	AN819-8Z	2	AN818-8D	2
<b>VENT AND DRAIN SYSTEM</b>						
189750	1/4 x .035 x 11 7/8	WW-T-787 Cond. A 57SO 30B/695				
189773	3/8 x .035 x 83 3/16	WW-T-787 Cond. A 57SO 30B/551				
189792	3/8 x .035 x 83 3/16	WW-T-787 Cond. A 57SO 30B/551				
189793	3/8 x .035 x 23	WW-T-787 Cond. A 57SO 30B/551	AAF811 T6CS	1	AAF811 BT6D	1
189794	3/8 x .035 x 15	WW-T-787 Cond. A 57SO 30B/551				
189806	3/8 x .035 x 35 3/4	WW-T-787 Cond. A 57SO 30B/551				

PART NUMBER	SIZE, GAUGE STRAIGHT LENGTH	MATERIAL, SPEC. AND REF. NO.	FITTINGS			
			SLEEVE	QTY	NUT	QTY
<b>VENT AND DRAIN SYSTEM (Cont'd)</b>						
189807	3/8 x .035 x 34 3/4	WW-T-787 Cond. A 57SO 30B/551				
189812	1/4 x .035 x 22 5/8	WW-T-787 Cond. A 57SO 30B/695				
189813	3/8 x .035 x 10 1/4	WW-T-787 Cond. A 57SO 30B/551				
189814	3/8 x .035 x 2 3/8	WW-T-787 Cond. A 57SO 30B/551	AAF811- T6CS	1	AAF811- BT6D	1
3MBA6691	3/4 x .049 x 24	WW-T-787 Cond. A 57SO 30B/983	AN819-12D	1	AN818-12D	1
3MBA6692	3/4 x .049 x 5	WW-T-787 Cond. A 57SO 30B/983	AN819-12D	1	AN818-12D	1
404-189242	1/4 x .035 x 12 3/16	WW-T-787 Cond. A 57SO 30B/695	AN819-4Z	2	AN818-4D	2
404-189243	1/4 x .035 x 12 3/8	WW-T-787 Cond. A 57SO 30B/695	AN819-4Z	2	AN818-4D	2
404-189617	1/4 x .035 x 10 7/16	WW-T-787 Cond. A 57SO 30B/695				
404-189783	3/8 x .035 x 74 1/4	WW-T-787 Cond. A 57SO 30B/551				
404-189787	3/8 x .035 x 74 1/4	WW-T-787 Cond. A 57SO 30B/551				
404-189830	1/2 x .042 x 35 3/16	WW-T-787 Cond. A 57SO 30B/974	AN819-8Z	2	AN818-8D	2
404-189831	1/2 x .042 x 58 3/8	WW-T-787 Cond. A 57SO 30B/974	AN819-8Z	2	AN818-8D	2
404-189832	1/2 x .042 x 42 5/8	WW-T-787 Cond. A 57SO 30B/974	AN819-8Z	1	AN818-8D	1
644-189747	1/2 x .042 x 9 3/16	WW-T-787 Cond. A 57SO 30B/974	AN819-8Z	1	AN818-8D	1
644-189893	3/4 x .035 x 8	MIL-T-6845 SAE 18-8 30B/1975	AN819-12	1	AN818-12	1

INTERCHANGEABLE P/N'S		HOSE SIZE & LENGTH	MAT. SPEC. & REF. NO.	FITTINGS	QTY
AN P/N	MS P/N				
<b>POWER PLANT INSTALLATION (STBD.)</b>					
AN6264-4-10-5/8	MS28741-4-0105	3/16 ID x 10-5/8	MIL-H-5511A-4 32C/330	MS28740-4	2
AN6264-4-12	MS28741-4-0120	3/16 ID x 12	MIL-H-5511A-4 32C/330	MS28740-4	2
AN6264-4-12-1/2	MS28741-4-0124	3/16 ID x 12-1/2	MIL-H-5511A-4 32C/330	MS28740-4	2
AN6264-4-15-3/4	MS28741-4-0156	3/16 ID x 15-3/4	MIL-H-5511A-4 32C/330	MS28740-4	2
AN6264-4-18-3/4	MS28741-4-0126	3/16 ID x 18-3/4	MIL-H-5511A-4 32C/330	MS28740-4	2
AN6264-4-25-1/2	MS28741-4-0254	3/16 ID x 25-1/2	MIL-H-5511A-4 32C/330	MS28740-4	2
AN6264-4-26-1/4	MS28741-4-0262	3/16 ID x 26-1/4	MIL-H-5511A-4 32C/330	MS28740-4	2
AN6264-6-38-1/2	MS28741-6-0384	5/16 ID x 38-1/2	MIL-H-5511A-6 32C/332	MS28740-6	2
AN6264-6-23-1/2	MS28741-6-0234	5/16 ID x 23-1/2	MIL-H-5511A-6 32C/332	MS28740-6	2
AN6264-6-29-3/4	MS28741-6-0296	5/16 ID x 29-3/4	MIL-H-5511A-6 32C/332	MS28740-6	2
AN6264-8D-15	MS28741-8-0150	13/32 ID x 15	MIL-H-5511A-8 32C/333	MS28740-8	2
AN6264-8D-21-1/4	MS28741-8-0212	13/32 ID x 21-1/4	MIL-H-5511A-8 32C/333	MS28740-8	2
AN6264-10D-14-1/4	MS28741-10-0142	1/2 ID x 14-1/4	MIL-H-5511A-10 32C/334	MS28740-10	2
AN6264-10D-17-1/4	MS28741-10-0172	1/2 ID x 17-1/4	MIL-H-5511A-10 32C/334	MS28740-10	2
AN6264-10D-22	MS28741-10-0220	1/2 ID x 22	MIL-H-5511A-10 32C/334	MS28740-10	2
AN6264-10D-27	MS28741-10-0270	1/2 ID x 27	MIL-H-5511A-10 32C/334	MS28740-10	2
AN6264-12D-17-7/8	MS28741-12-0177	5/8 ID x 17-7/8	MIL-H-5511A-12 32C/335	MS28740-12	2
AN6264-16D-11-1/4	MS28741-16-0112	7/8 ID x 11-1/4	MIL-H-5511A-16 32C/357	MS28740-16	2
<b>POWER PLANT INSTALLATION (PORT)</b>					
AN6264-4-10-5/8	MS28741-4-0105	3/16 ID x 10-5/8	MIL-H-5511A-4 32C/330	MS28740-4	2
AN6264-4-12	MS28741-4-0120	3/16 ID x 12	MIL-H-5511A-4 32C/330	MS28740-4	2
AN6264-4-12-1/2	MS28741-4-0124	3/16 ID x 12-1/2	MIL-H-5511A-4 32C/330	MS28740-4	2
AN6264-4-15	MS28741-4-0150	3/16 ID x 15	MIL-H-5511A-4 32C/330	MS28740-4	2
AN6264-4-18-3/4	MS28741-4-0186	3/16 ID x 18-3/4	MIL-H-5511A-4 32C/330	MS28740-4	2

INTERCHANGEABLE P/N's		HOSE SIZE & LENGTH	MAT. SPEC. & REF. NO.	FITTINGS	QTY
AN P/N	MS P/N				
<b>POWER PLANT INSTALLATION (PORT) Continued</b>					
AN6264-4-20-1/4	MS28741-4-0202	3/16 ID x 20-1/4	MIL-H-5511A-4 32C/330	MS28740-4	2
AN6264-4-26-1/4	MS28741-4-0262	3/16 ID x 26-1/4	MIL-H-5511A-4 32C/330	MS28740-4	2
AN6264-6-38-1/2	MS28741-6-0384	5/16 ID x 38-1/2	MIL-H-5511A-6 32C/332	MS28740-6	2
AN6264-6-24-1/2	MS28741-6-0242	5/16 ID x 24-1/4	MIL-H-5511A-6 32C/332	MS28740-6	2
AN6264-6-39-1/2	MS28741-6-0394	5/16 ID x 39-1/2	MIL-H-5511A-6 32C/332	MS28740-6	2
AN6264-8D-15	MS28741-8-0150	13/32 ID x 15	MIL-H-5511A-8 32C/333	MS28740-8	2
AN6264-8D-21-1/4	MS28741-8-0212	13/32 ID x 21-1/4	MIL-H-5511A-8 32C/333	MS28740-8	2
AN6264-10D-13-1/4	MS28741-10-0132	1/2 ID x 13-1/4	MIL-H-5511A-10 32C/334	MS28740-10	2
AN6264-10D-15	MS28741-10-0150	1/2 ID x 15	MIL-H-5511A-10 32C/334	MS28740-10	2
AN6264-10D-17-1/4	MS2874-10-0172	1/2 ID x 17-1/4	MIL-H-5511A-10 32C/334	MS28740-10	2
AN6264-10D-27	MS28741-10-0270	1/2 ID x 27	MIL-H-5511A-10 32C/334	MS28740-10	2
AN6264-10D-31-1/2	MS28741-10-0314	1/2 ID x 31-1/2	MIL-H-5511A-10 32C/334	MS28740-10	2
AN6264-12D-17-7/8	MS28741-12-0177	5/8 ID x 17-7/8	MIL-H-5511A-12 32C/335	MS28740-12	2
AN6264-16D-12-3/4	MS28741-16-0126	7/8 ID x 12-3/4	MIL-H-5511A-16 32C/357	MS28740-16	2
<b>INSTRUMENTS</b>					
AN6270-4-12		1/4 ID x 12	MIL-H-5593A-4 32C/338	AN773-4	2
AN6270-4-12		1/4 ID x 12	MIL-H-5593A-4 32C/338	AN773-4	2
AN6270-4-12		1/4 ID x 12	MIL-H-5593A-4 32C/338	AN773-4	2
AN6270-4-15		1/4 ID x 15	MIL-H-5593A-4 32C/338	AN773-4	2
AN6270-4-15		1/4 ID x 15	MIL-H-5593A-4 32C/338	AN773-4	2
AN6270-4-15		1/4 ID x 15	MIL-H-5593A-4 32C/338	AN773-4	2
AN6270-4-16		1/4 ID x 16	MIL-H-5593A-4 32C/338	AN773-4	2
AN6270-4-19		1/4 ID x 19	MIL-H-5593A-4 32C/338	AN773-4	2
AN6270-4-19		1/4 ID x 19	MIL-H-5593A-4 32C/338	AN773-4	2

INTERCHANGEABLE P/N's		HOSE SIZE & LENGTH	MAT. SPEC. & REF. NO.	FITTINGS	QTY
AN P/N	MS P/N				
<b>INSTRUMENTS Continued</b>					
AN6270-4-19		1/4 ID x 19	MIL-H-5593A-4 32C/338	AN773-4	2
AN6270-6-14		3/8 ID x 14	MIL-H-5593A-6 32C/339	AN773-6	2
AN6270-6-15		3/8 ID x 15	MIL-H-5593A-6 32C/339	AN773-6	2
AN6270-6-16		3/8 ID x 16	MIL-H-5593A-6 32C/339	AN773-6	2
AN6270-6-16		3/8 ID x 16	MIL-H-5593A-6 32C/339	AN773-6	2
AN6270-6-20		3/8 ID x 20	MIL-H-5593A-6 32C/339	AN773-6	2
<b>BRAKE SYSTEM</b>					
AN6264-4-15-1/2	MS28741-4-0154	3/16 ID x 15-1/2	MIL-H-5511A-4 32C/330	MS28740-4	2
AN6264-4-11-1/2	MS28741-4-0114	3/16 ID x 11-1/2	MIL-H-5511A-4 32C/330	MS28740-4	2
AN6264-4-37-1/2	MS28741-4-0374	3/16 ID x 37-1/2	MIL-H-5511A-4 32C/330	MS28740-4	2
AN6264-4-32-3/4	MS28741-4-0326	3/16 ID x 32-3/4	MIL-H-5511A-4 32C/330	MS28740-4	2
AN6264-4-12-1/2	MS28741-4-0124	3/16 ID x 12-1/2	MIL-H-5511A-4 32C/330	MS28740-4	3
AN6270-4-10		1/4 ID x 10	MIL-H-5593A-4 32C/338	AN773-4	2
AN6270-4-14		1/4 ID x 14	MIL-H-5593A-4 32C/338	AN773-4	2

PART NUMBER	CABLE SIZE & LENGTH	MAT. SPEC. & REF. NO.	FITTINGS	QTY
<b>AILERON CONTROL CABLES</b>				
404-187032-4	1/8 dia. x 72"	MIL-C-1511 30B/1499	NAS287-35-4 Term. AN669-S4-RH Term.	1 1
404-187033-4	1/8 dia. x 72"	MIL-C-1511 30B/1499	AN669-S4-RH Term. NAS287-35-4 Term.	1 1
404-187032-6	1/8 dia. x 90"	MIL-C-1511 30B/1499	AN668-4 Term. NAS287-35-4 Term.	1 1
404-187033-6	1/8 dia. x 90"	MIL-C-1511 30B/1499	AN668-4 Term. NAS287-35-4 Term.	1 1
NAS304-35-0656	1/8 dia. x 75"	MIL-C-1511 30B/1499	AN668-4 Term. AN669-L4-LH Term.	1 1
404-187030-2	1/8 dia. x 341"	MIL-C-1511 30B/1499	AN669-L4-LH Term. AN669-L4-RH Term.	1 1
NAS304-34-0723	1/8 dia. x 80"	MIL-C-1511 30B/1499	AN668-4 Term. AN669-L4-RH Term.	1 1
<b>RUDDER CONTROL CABLES</b>				
404-187012-2	1/8 dia. x 82"	MIL-C-1511 30B/1499	AN668-4 Term. AN669-S4-RH Term.	1 1
404-187013-2	1/8 dia. x 20"	MIL-C-1511 30B/1499	AN668-4 Term. AN669-S4-LH Term.	1 1
404-187012-4	1/8 dia. x 80"	MIL-C-1511 30B/1499	AN668-4 Term. AN669-S4-LH Term.	1 1
404-187013-4	1/8 dia. x 140"	MIL-C-1511 30B/1499	AN668-4 Term. AN669-S4-RH Term.	1 1
NAS304-45-3464	1/8 dia. x 360"	MIL-C-1511 30B/1499	AN669-L4-LH Term. AN669-L4-RH Term.	1 1
404-187011-2	1/8 dia. x 18"	MIL-C-1511 30B/1499	AN668-4 Term. AN669-L4-LH Term.	1 1
404-187014-2	1/8 dia. x 68"	MIL-C-1511 30B/1499	AN669-L4-RH Term. AN668-4 Term.	1 1
404-187015-8	1/8 dia. x 65"	MIL-C-1511 30B/1499	AN669-L4-RH Term. AN668-4 Term.	1 1
NAS314-37-0240	1/8 dia. x 32"	MIL-C-1511 30B/1499	MIL-T-5063 Tube 1/4 x .028 x 7-1/2" AN669-S4-LH Term. AN664-4 Ball	1 1 1
NAS314-37-0244	1/8 dia. x 32"	MIL-C-1511 30B/1499	RA2482-4 Fork AN669-S4-LH Term. AN664-4 Ball RA2482-4 Fork	1 1 1 1

PART NUMBER	CABLE SIZE & LENGTH	MAT. SPEC. & REF. NO.	FITTINGS	QTY
<b>ELEVATOR CONTROL CABLES</b>				
187096-1	3/16 dia. x 311-1/2"	AN-RR-C-43 30B/	AN668-6 Term. AN669-L6 Term. 100696-08-024 Spacer	1 1 1
187097-1	5/32 dia. x 378"	MIL-C-1511 30B/1500	AN668-5 Term. AN669-L5-LH Term. 100696-P16-08-024 Spacer	1 1 1
<b>TRIM TAB CABLES</b>				
407-187106-6	3/32 dia. x 260"	MIL-C-1511 30B/1498	187667 End AN664C-3 Fitting RA2482-3 Fitting	1 1 1
644-187111-2	3/32 dia. x 100"	MIL-C-1511 30B/1498	AN161-16LS Fork 187709 End RA2500-3 Fork AN644-C3 Ball	1 1 1 1
187156-2	3/32 dia. x 298"	MIL-C-1511 30B/1498	AN664-3 Ball AN669-S3-LH Term. RA2482-3 Fork	1 1 1
187111-2	3/32 dia. x 110"	MIL-C-5424	187709 End AN669-S3-LH Term.	1 1
644-187111-6	3/32 dia. x 125"	MIL-C-1511 30B/1498	187709 End RA2500-3 Fork AN664-C3 Ball	1 1 1
644-187111-10	3/32 dia. x 100"	MIL-C-1511 30B/1498	187709 End RA2500-3 Fork AN644-C3 Ball	1 1 1





PART NUMBER	FIG. AND IND. NO.	QTY PER A/C
ACCESS INSTALLATION	16- 15	120
COVER PLATE	16- 15	
RUBBER STRIP	17- 8	
FELT LINING	17- 25	
RUBBER TAPE	18- 34	
RIVET	30- 47	
SCREW	34- 4	
SCREW	54-106	
SCREW	55- 4	
SEAL	21- 15	AR
STRAINER	58- 65	
VENT	73- 79	
LOAD ADJUSTER	80- 4	
COMPASS	82- 12	
BONDING JUMPER	83- 1	
KOROSEAL LACING	83- 5	
KOROSEAL LACING	83- 8	
KOROSEAL LINING	83- 16	
KOROSEAL LINING	83- 19	
LAMP ASSY	84- 29	
RHEOSTAT	85- 22	
STARTER RELAY	86- 15	
PLACARD	86- 27	
CONTACTOR	86- 44	
JAR	87- 3	
TUBE	87- 8	
TAPE	87- 8	
RELAY	87- 9	
CARRIAGE BOLT	87- 14	
NUT	87- 14	
SCREW	87- 14	
NUT	87- 14	
RELAY	89- 8	
DRIFTMETER	94- 39	
SHAFT	93- 21	
SCREW	95- 45	
WRAPLOCK	99- 29	
BONDING JUMPER	101- 38	
REPEATER	103- 20	
AIR POSITION INDICATOR	103- 42	
AIR MILAGE UNIT	103- 44	
A-20-76	35- 4	1
A-2064	82- 24	2
	82- 25	
A-2334-A	75- 28	3
A-2507-1	82- 5	2
A-31-80	35- 11	1
A-3420	84- 30	5
A-51-113	35- 10	1
A-56-22	35- 7	4
A-85-131	35- 3	1
A-85-44	35- 12	2
A-85-45	35- 8	2
AAF811FT-6NS	58-	4
	58- 3	
AA104948	93- 44	3

PART NUMBER	FIG. AND IND. NO.	QTY PER A/C
	93- 45	
	93- 47	
AA109907	93- 44	1
AA25754	93- 43	1
AA25756	93- 42	1
AB8917	93- 48	1
AC139	19- 34	1
AC59710	93- 45	1
AC895-64	59- 29	2
AF/ACSM-177	91- 54	1
AF/ASM-69	91- 54	1
AF/UTA-68	91- 53	1
AF2550	7- 9	4
	87- 14	
AGS605-0	46- 11	30
	58- 11	
	58- 13	
	58- 16	
	58- 40	
	58- 53	
	59- 54	
AGS605-00	59- 41	18
	59- 47	
	60- 17	
	59- 43	
AGS605-1	90- 21	78
	37- 13	
	45- 24	
	59- 6	
	59- 9	
	59- 11	
	59- 13	
	59- 19	
	59- 24	
	59- 27	
	59- 30	
	59- 33	
	59- 36	
	59- 38	
	88- 23	
AGS605-2	39A- 4	4
AGS605-2-X	73- 46	12
	74- 10	
AJ3-80	99- 45	2
AL72368	93- 49	1
AL74776-1	91- 60	1
AN-G-16A-3	37- 2	2
AN-M8	94- 85	2
	95- 34	
AN-3169-1	22- 39	2
AN-913-8	37- 11	1
AN/ARN-7		1
AN/ASA-3	91- 38	12
AN100-3	65- 55	1
AN104-B	91- 23	1
AN115-16	91- 6	4
	91- 34	

Part 5  
Numerical Part List

EO 05-45B-4

PART NUMBER	FIG. AND IND. NO.	QTY PER A/C
AN115-21	91- 21	1
AN155-16S	65- 52	5
	65- 54	
	67- 32	
AN155-32L	62- 28	6
	64- 47	
	66- 31	
AN155-32S	30- 34	16
	33- 43	
	61- 37	
	64- 14	
	64- 19	
	64- 42	
	64- 55	
AN155-46L	66- 37	1
AN155-8S	33- 29	3
	63- 16	
AN16C-1	75- 29	1
AN161-16RS	67- 31	2
AN161-22RL	30- 35	2
AN161-22RS	64- 18	2
AN161-32LL	64- 41	4
	64- 46	
AN170-16RS	65- 55	1
AN170-8RS	33- 30	1
AN200-K6	22- 73	4
AN200KP4	12- 32	16
	22- 58	
AN200KS-4	62- 5	4
AN200K3L	15- 9	2
AN201-KP6A	29- 9	3
	15- 5	
AN201-K10A	28- 8	1
AN201-K12A	22- 76	5
	68- 8	
AN201-K4A	69- 5	1
AN201-K6A	12- 28	1
AN201-K8A	69- 10	5
	70- 7	
	70- 7	
AN201KP20A	29- 20	2
AN201KP8A	61- 21	4
AN207DP6	62- 10	2
AN210-1A	33- 34	14
	63- 7	
	65- 56	
	67- 21	
	67- 24	
AN210-2A	47- 4	18
	63- 3	
	63- 10	
	65- 35	
	65- 40	
	65- 45	
	65- 58	
	67- 20	

PART NUMBER	FIG. AND IND. NO.	QTY PER A/C
AN210-3A	30- 36	26
	33- 36	
	62- 24	
	64- 25	
	64- 27	
	64- 57	
	66- 19	
	66- 40	
	66- 42	
AN210-3B	32- 4	2
AN210-4A	32- 5	13
	62- 16	
	62- 19	
	64- 22	
	64- 32	
AN220-1	64- 60	1
AN227-25	54- 1	1
AN227-8B	98- 26	8
AN23-11M	64- 40	4
	64- 45	
AN23-16M	62- 32	4
AN230-B10	98- 25	8
AN24-27M	61- 27	2
AN251-0-17	91- 69	1
AN2552-A3	86- 6	1
AN271-B10	68- 36	4
AN280-H-304	69- 3	1
AN280-H406	29- 6	1
AN286-1	34- 17	1
AN286-3	34- 1	1
	38- 31	
AN3-11M	66- 29	1
AN3-12M	64- 9	4
	64- 5	
AN3-13M	66- 4	1
AN3-21A	38- 37	4
AN3-5M	64- 17	4
AN3-7M	12- 42	4
AN3DD6	33- 40	1
AN3018-1	95- 7	1
AN3021-1	77- 12	4
	81- 21	
AN3021-2	75- 4	10
	77- 13	
	77- 19	
AN3021-8	77- 11	3
AN3022-1	54 71	1
AN3023-3	54 58	1
AN3025-1	88- 14	4
	90- 9	
AN3027-1	77- 14	2
	77- 23	
AN3027-2	77- 15	2
	77- 24	
AN3033-3	82- 10	1
AN3033-4	82- 10	1

PART NUMBER	FIG. AND IND. NO.	QTY. PER A/C	PART NUMBER	FIG. AND IND. NO.	QTY. PER A/C
AN3047-9	84-18	2	AN3108-10SL-4S	93- 3	1
	84-22		AN3108-12S-3D	83-16	2
AN3057-10	81- 2	6	AN3108-12S-3S	83-16	2
	82- 8		AN3108-12S-4S	86-28	1
	86-16		AN3108-14S-1S	83-19	2
	93- 3		AN3108-18-6P	83-14	2
AN3057-10L	103-30	1	AN3108-20-27S	92-23	1
AN3057-12	91-50	4	AN3121-R313	65-32	1
	92-23		AN3124-307	85-27	1
AN3057-16	103-34	1	AN3131-303	84- 9	3
AN3057-3	86-28	1		84-12	
AN3057-4	86-17	9	AN3133-303	84- 6	2
	86-18		AN3136-323	93-22	3
	86-28			93-46	
	86-47			93-50	
	93- 3		AN315-4R	38-34	16
AN3057-6	85-50	4	AN3155-25-25	77-10	3
	88-17		AN3155-50-30	77-27	1
AN3062-8	90-17	2	AN3157-2	54-48	1
AN3064-6	88-15	2	AN3157-3	54-49	1
AN3064-8	83-14	5	AN3157-6	75-33	2
	88-18		AN3160-5	45-39	2
	89-12		AN3167-1	22-45	2
AN3066-6	88-16	2	AN3170-1	85- 9	1
AN3066-8	88-19	3	AN3170-2	85- 9	1
	89-12		AN3210-1	85- 6	4
AN3092-2	82-27	2		86-41	
AN3093-5	82-27	1		22-38	5
AN3095-9	82- 4	2	AN32101-1	22-44	2
AN3100-12S-3S	86-17	2	AN3220-2	85-23	1
AN3100-14S-1P	86-18	2	AN3425-2-4	85-12	1
AN3100-18-22P	86-10	2	AN3426-2-11	85-57	3
AN3100-18-6S	86-16	3	AN3435-2-16	91-65	1
	89-16		AN3436-2-11	92-10	2
AN3100-28-5S	86- 9	2	AN3436-2-6	86-45	1
AN3102-16-11P	91-54	1	AN3436-2-8	85-16	1
AN3102-16S-1P	91-54	1	AN3436-5-6	86-42	1
AN3102-18-1P	103-27	1	AN3437-1-5	85-13	1
AN3102-20-27P	91-54	1	AN3532-1	85-51	1
AN3102-24-28P	103-31	1	AN365-428M	23-12	8
AN3106-12S-3S	86-47	2	AN4-10A	36-12	18
AN3106-14S-5S	85-50	2	AN4-10AM	23-12	8
AN3106-16S-1S	85-42	1	AN4-11M	62- 2	6
AN3106-18-1S	103-29	1		64-23	
AN3106-18-5S	82- 7	2		64-26	
AN3106-24-11S	91-67	2	AN4-12M	66-35	1
	93-55		AN4-13M	2-20	9
AN3106-24-28S	103-33	1		64- 2	
AN3106A-20-11S	91-50	1		66- 5	
AN3106A-20-27S	91-50	2	AN4-14M	62-39	6
AN3108-10-1S	93- 3	1		64- 3	
AN3108-10S-2S	86-28	1		66-20	

Part 5  
Numerical Part List

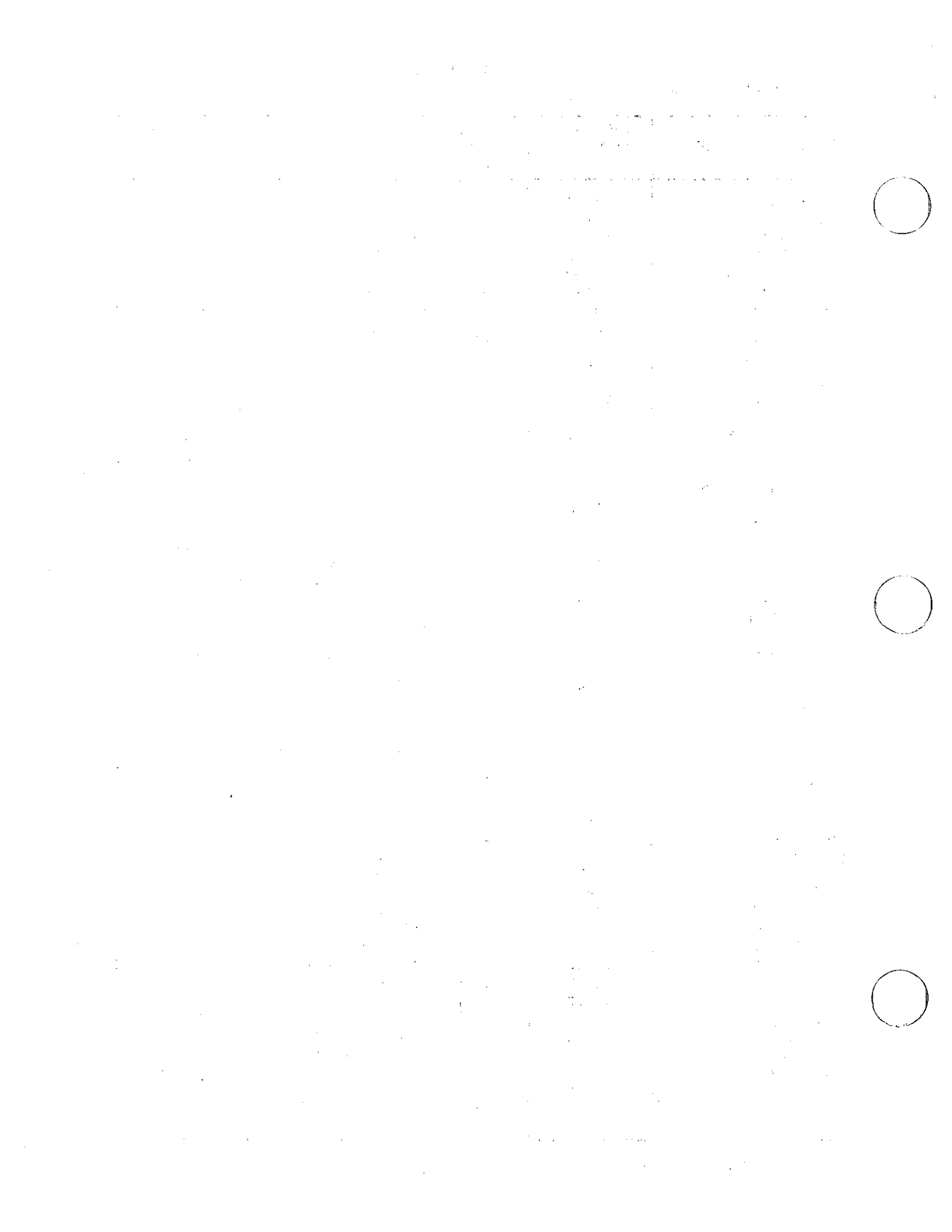
EO 05-45B-4

PART NUMBER	FIG. AND IND. NO.	QTY. PER A/C	PART NUMBER	FIG. AND IND. NO.	QTY. PER A/C
AN4-14M	66-26		AN4-24M	66- 6	1
AN4-15M	62-17	4	AN4-26M	12-47	3
	66-27			66-22	
	66-43		AN4-37M	61-25	2
AN4-16M	62- 3	2	AN4077-1	59-40	2

Part 5  
Numerical Part List

EO 05-45B-4

PART NUMBER	FIG. AND IND. NO.	QTY PER A/C	PART NUMBER	FIG. AND IND. NO.	QTY PER A/C
AN4181-1	83-12	2	AN6227-5	26-6	8
AN486-1	8-13	8		30-44	
AN5-16M	32-11	1	AN6227-7	23-19	2
AN5-26M	32-10	1	AN6230-11	24-7	2
AN507-632R6	39A-4	6	AN6230-12	23-22	2
AN515-6R7	39A-4	24	AN6230-4	34-11	1
AN5525-1	94-77	3	AN6230-5	60-3	2
	95-29		AN6230-6B	26-5	6
AN5525-2	59-8	2	AN6231-A18	24-11	2
AN5543-2A	75-12	1	AN6231-17	34-8	1
AN5733-1	75-35	1	AN6232C-5-1/8	24-10	2
AN5735-2	75-14	1	AN6244-11	24-8	4
AN5736-2	75-15	1	AN6246-29	24-6	8
AN565D416H6	55-4	1	AN6264-10D-14-1/4	44-2	1
AN5540-2	37-5	2	AN6264-10D-15	58-60	1
AN5743-2	75-2	1	AN6264-10D-17-1/4	44-7	2
AN5760-3A (MOD)	103-5	2		44-8	
	75-20			44-10	
AN5763-27	94-29	1		44-10	
AN5765-3B	51-7	2	AN6264-10D-22	44-5	1
	51-12		AN6264-10D-27	58-60	1
AN5770-2	75-13	1	AN6264-10D-31-1/2	44-4	1
AN5771-3A	75-32	1	AN6264-10D-13-1/4	44-1	1
AN5771-58	75-16	1	AN6264-12-17-7/8	37-12	2
AN5773-1	75-24	1		37-16	
AN5790-6	75-17	1	AN6264-16D-11-1/4	59-16	1
	103-9		AN6264-16D-12-3/4	59-16	1
AN5795-6	75-30	1	AN6264-4-10-5/8	45-11	4
AN5819-3	75-21	1		50-15	
AN5820-1	75-31	1	AN6264-4-12	53-41	2
AN5825-P6	75-22	1	AN6264-4-11-1/2	30-74	2
AN5822-1	49-1	1		30-82	
AN5829-2	51-28	1	AN6264-4-12	53-43	2
AN5832-2	51-7	2	AN6264-4-12-1/2	22-7	6
	51-12			50-14	
AN6-23M	22-52	2	AN6264-4-15	50-12	1
AN6046-1	95-15		AN6264-4-15-3/4	44-12	1
AN6100-1	53-25	1	AN6264-4-15-1/2	30-74	2
AN6111-1	37-1	2		30-82	
AN6119-2	44-9	2	AN6264-4-16-3/4	50-12	1
ANL204-1	26-17	2	AN6264-4-18-3/4	50-13	2
AN6207-4	30-67	1	AN6264-4-20-1/4	50-12	1
AN6227-B15	31-16	4	AN6264-4-25-1/2	58-79	4
AN6227-B8	31-10	8		53-45	
	31-17			53-45	
AN6227-1	31-45	2	AN6264-4-32-3/4	22-24	2
AN6227-27	34-12	1	AN6264-4-37-1/2	22-25	2
AN6227-29	24-5	4	AN6264-4-42-1/2	46-17	1
AN6227-30	26-9	6	AN6264-4-55-1/2	46-32	1
AN6227-44	23-29	2			



PART NUMBER	FIG. AND IND. NO.	QTY PER A/C
AN6270-4-16	51- 7	2
	51- 12	
AN6270-4-19	51- 4	3
	51- 8	
	51- 9	
AN6270-4-24	51- 26	1
AN6270-6-16	51- 20	4
	51- 22	
	51- 24	
	51- 25	
AN6270-6-20	51- 21	1
AN6271-8-26-3/4	45- 2	2
AN6271-8-9	45- 15	2
AN6287-1	23- 25	5
	24- 21	
	34- 19	
AN6290-4	30- 68	3
AN6290-8	26- 21	4
	26- 19	
AN7-36M	36- 5	4
AN7-43M	36- 6	2
AN7-47M	36- 2	16
AN735D-6	56- 23	4
AN735D8	91- 60	2
AN737-22	103- 50	2
AN737-38	103- 38	4
AN741-12D	87- 10	4
AN741-6P	104- 5	90
AN742-D10C	46- 17	4
	46- 32	
AN742-D12	83- 2	AR
AN742-D12C	46- 31	2
AN742-D16	46- 17	1
	83- 3	
	83- 16	
	83- 19	
AN742-D17C	37- 18	3
	37- 19	
AN742-D18	83- 8	AR
AN742-D20	46- 32	6
	73- 22	
	74- 38	
	83- 4	
AN742-D26	46- 19	1
AN742-D3	83- 5	AR
AN742-D34	73- 47	6
	74- 11	
AN742-D36	73- 22	40
	73- 43	
	73- 49	
	74- 6	
	74- 36	
	74- 38	
AN742-D5	83- 5	30
	83- 8	
	83- 16	

PART NUMBER	FIG. AND IND. NO.	QTY PER A/C
	83- 19	
	92- 26	
AN742-D6C	46- 19	6
	46- 21	
	46- 23	
AN742-D7C	92- 29	12
AN742-8	72- 30	12
AN742-10C	91- 67	5
AN742-12	37- 18	1
AN742-21C	86- 13	32
AN742-24C	92- 7	2
AN742-4	27- 44	9
	33- 21	
	56- 24	
AN742-6C	22- 17	4
AN742D-10C	22- 27	4
AN742D16	53- 33	6
	53- 38	
	53- 45	
AN742D16C	53- 38	2
AN742D20C	88- 24	6
AN742D28	73- 66	2
AN742D4	82- 29	1
AN742D6C	53- 27	5
	53- 29	
	53- 45	
AN742D6D	53- 33	2
AN743-12	55- 86	2
AN748-34	48- 12	8
AN749-3-8	103- 51	1
AN7502-16	32- 40	2
AN770-A1	71- 38	1
AN771-2	60- 7	2
AN773-4	103- 49	2
AN778-10D	57- 24	1
AN781-1	77- 15	1
AN8008-D-2	103- 16	8
	103- 26	
AN8008-D10	76- 9	8
AN8008-D8	94- 34	8
AN8018-1	99- 37	1
AN8021	99- 38	1
AN807-12D	37- 12	1
AN814-3	24- 2	2
AN815-10D	48- 5	34
	48- 20	
	58- 50	
	79- 3	
	79- 5	
	79- 7	
	79- 52	
	79- 55	
	79- 78	
	79- 83	
	79- 91	
	79- 99	

Part 5  
Numerical Part List

EO 05-45B-4

PART NUMBER	FIG. AND IND. NO.	QTY PER A/C
AN815-12D	79-104	4
	79-106	
	37- 13	
	37- 14	
AN815-4D	37- 17	21
	30- 61	
	30- 68	
	30- 78	
	53- 22	
	53- 28	
	53- 35	
	59- 42	
	71- 5	
	71- 7	
	71- 28	
AN815-6D AN815-8D	71- 29	1
	71- 34	
	71- 35	
	79- 15	
	79- 58	
	79- 62	
	46- 31	
	57- 13	
	57- 14	
	72- 25	
	72- 27	
AN815-81D AN816-10 AN816-10D	72- 33	2
	79- 49	1
AN816-12D AN816-4	44- 3	4
	44- 3	12
	58- 56	
	45- 26	
	45- 12	
	50- 13	
	53- 12	
	53- 40	
	53- 46	
	79- 39	
	79- 54	
AN816-4-4D AN816-4D	51- 18	
	37- 34	17
	51- 1	4
	51- 4	
	51- 18	
	51- 27	
	53- 11	
	53- 15	
	53- 21	
	58- 78	
	72- 15	
72- 21		
AN816-6	45- 31	
	45- 38	
	45- 38	
AN816-6-D AN816-8	51- 22	1
	45- 4	2

PART NUMBER	FIG. AND IND. NO.	QTY PER A/C
AN818-12D AN819-12	37- 20	1
	37- 14	1
AN819-12D AN820-12	37- 20	1
	37- 11	2
AN821-10D	37- 21	2
	79- 28	
AN821-4D AN822-10	79- 84	4
	22- 14	
AN822-10D	44- 5	8
	79- 30	23
	79- 32	
	79- 34	
	79- 37	
	79- 45	
	79- 51	
	44- 2	
	44- 8	
	44- 9	
	48- 26	
AN822-16-12D AN822-4	57- 28	
	58- 19	
	58- 21	
	58- 49	
	58- 59	
	58- 61	
	79- 11	
	79-102	
	59- 17	
	44- 12	
	45- 10	
AN822-4-4D AN822-4D	58- 80	1
	51- 21	23
AN822-6 AN822-6D	22- 32	3
	30- 70	
	30- 73	
	30- 74	
	50- 9	
	51- 26	
	53- 39	
	58- 69	
	58- 78	
	71- 43	
	45- 33	
AN822-6D	45- 38	3
	51- 20	
AN822-6D AN822-6D	51- 25	3
	51- 26	
AN822-6D AN822-8	46- 30	1
	45- 1	4
AN822-8D	45- 14	11
	45- 18	
	46- 16	
	58- 62	
	59- 50	
	72- 7	



PART NUMBER	FIG. AND IND. NO.	QTY PER A/C
AN823-10	79- 36	2
	79- 41	
AN823-10D	44- 3	8
	44- 10	
	58- 49	
	58- 55	
	58- 57	
AN823-100	58- 19	2
AN823-16-12D	59- 15	2
AN823-4	30- 73	16
	30- 81	
	50- 12	
	50- 13	
	50- 15	
	58- 55	
	58- 68	
	58- 69	
AN823-4D	45- 23	19
	48- 8	
	51- 2	
	51- 6	
	51- 7	
	51- 8	
	51- 9	
	51- 11	
	51- 12	
	51- 15	
	53- 20	
	58- 74	
AN823-6	45- 31	1
AN823-6D	51- 21	2
	51- 22	
AN823-8	58- 64	2
AN824-10	79- 46	1
AN824-10D	48- 1	6
	57- 26	
	79- 9	
	79-108	
AN824-4D	30- 61	7
	53- 14	
	71- 1	
	71- 7	
	71- 34	
	71- 41	
AN824-8D	72- 29	2
AN825-4D	30- 70	5
	30- 71	
	46- 26	
	71-37	
AN826-4	50- 14	2
AN826-4D	51- 3	5
	51- 13	
	51- 14	
	51- 16	
	51- 17	

PART NUMBER	FIG. AND IND. NO.	QTY PER A/C
AN826-6D	51- 24	1
AN832-4	53- 44	2
AN832-4D	22- 10	10
	46- 18	
	46- 20	
	46- 22	
	53- 18	
AN832-8D	59- 52	6
	72- 1	
	72- 5	
	72- 9	
	72- 13	
AN833-10D	48- 10	4
	48- 23	
	58- 17	
AN833-4	58- 79	4
AN833-4D	46- 24	21
	50- 3	
	58- 71	
	58- 72	
	58- 75	
	58- 76	
	71- 3	
	71- 27	
	71- 32	
	79- 60	
AN834-10D	48- 15	2
	51- 31	
AN837-10D	48- 2	6
	48- 25	
	58- 14	
	58- 51	
AN837-4	53- 42	2
AN837-4D	22- 21	37
	30- 75	
	30- 76	
	30- 79	
	30- 80	
	30- 82	
	30- 83	
	30- 84	
	30- 86	
	30- 87	
	50-	
	50- 6	
	58- 70	
	58- 75	
	58- 77	
	71- 23	
	79- 64	
AN837-8D	72- 3	2
	72- 11	
AN840-10D	58- 40	1
AN840-16	59- 23	2
AN840-16D	59- 18	8
	59- 19	

Part 5  
Numerical Part List

EO 05-45B-4

PART NUMBER	FIG. AND IND. NO.	QTY PER A/C
AN840-4D	59- 28	
AN842-10	59- 47	2
AN842-10D	58- 10	2
	58- 39	3
	58- 55	
AN842-16D	59- 14	6
	59- 34	
AN842-4D	46- 12	4
	59- 40	
AN842-8D	59- 55	2
AN844-10	58- 15	2
AN844-10-11	58- 11	4
	58- 16	
AN844-10-15	58- 13	2
AN844-10D	58- 40	1
AN844-16D	59- 1	4
	59- 5	
AN847-16D	59- 25	6
	59- 28	
	59- 31	
AN884-10-11	58- 53	4
AN884-10-16	58- 40	2
AN933B1	29- 22	3
	69- 18	
AN900-16	56- 30	8
	56- 32	
	56- 53	
	56- 55	
AN900-17	57- 17	1
AN901-10A	57- 24	2
AN902-10	48- 6	9
	48- 21	
AN902-3	24- 3	2
AN902-4	22- 30	9
	53- 22	
AN902-8	22- 30	2
AN905C32	43- 9	AR
AN910-1D	71- 39	1
AN910-3D	59- 55	2
AN910-6D	45- 27	2
AN911-3	59- 55	2
AN911-3D	59- 48	2
AN911-4	44- 9	3
	58- 40	
AN911-6	45- 28	6
	45- 30	
	59- 29	
AN911-6D	59- 1	2
AN912-1	45- 9	2
AN912-13D	59- 1	2
AN912-3D	44- 10	2
AN912-4D	45- 18	2
AN912-6D	44- 12	2
AN912-7	45- 18	4
	58- 61	
AN912-8	58- 62	2

PART NUMBER	FIG. AND IND. NO.	QTY PER A/C
AN913-1	53- 16	1
AN913-2	59- 56	2
AN913-4D	51- 5	7
	51- 10	
	51- 19	
	51- 23	
	51- 30	
	51- 32	
AN913-8	37- 21	1
AN916-6D	45- 29	4
	59- 1	
AN917-3D	59- 49	2
AN917-4D	58- 40	2
AN917-6D	59- 29	2
AN919-13D	48- 6	2
AN922-4	44- 10	2
AN922-4D	51- 27	1
AN926-4D	30- 68	1
AN926-10D	48- 4	3
	48- 19	
AN9264-4-11	44- 11	1
AN927-4D	53- 22	1
AN929-10	48- 1	1
AN929-2D	51- 7	2
	51- 12	
AN929-8D	72- 24	4
	72- 32	
AN931-3-5	89- 15	1
AN931-4-7	30- 65	1
AN931-6-10	89- 14	1
AN931-7-11	89- 13	1
AN931-10-14	86- 7	5
	90- 16	
	94- 22	
	95- 7	
AN931-11-16	58- 10	2
AN931-14-20	37- 15	5
	37- 22	
	45- 3	
	46- 33	
AN931-16-22	89- 7	4
	92- 9	
AN931-3-5	91- 59	9
	89- 15	
AN931-4-7	22- 43	7
	46- 33	
	56- 22	
	88- 20	
AN931-5-9	92- 9	1
AN931-6-10	58- 1	8
	58- 3	
	58- 10	
	87- 2	
	89- 14	
AN931-7-11	22- 47	3
	89- 13	

PART NUMBER	FIG. AND IND. NO.	QTY. PER A/C
AN931-8-13	87- 8	3
AN931-8-13	86-43	
AN931-9-11	86- 7	1
AN933-1	24-22	2
AN936-B10	91-44	2
AN940-13	30-48	8
AN944-101A	24- 6	2
AN944-301	23- 5	4
AN960-6	39A- 4	30
AN960-416L	36-12	36
AN960-516	27-46	1
AN960-516L	27-46	2
AN995-5NC-40	27-65	AR
AN995NC40-5	53-49	8
AN995NC40-8	37-27	AR
AN995NC51-14	2- 3	AR
AP3P	92-26	15
AR-12-36	87- 1	2
AS-27/ARN5	91-16	1
AS-27A/ARN5	91-16	1
A10K75	92-32	2
A100005	93-43	1
A10898	59-18	4
A120160	92- 6	2
A120196-1	75- 9	1
A120196-3	75-10	1
A120196-4	75-11	1
A14247	81-3A	1
A240	77- 3	2
A16562	81-16	1
A16563	81-16	1
A16590	81-17	2
A2252	99-17	1
A2277	84-26	3
A29842	93-43	1
A3005	93-18	2
A3104-4	55-87	2
A3122-8-59	87- 2	1
A42	22-29	2
A5299-24	75-42	4
A539	55-32	4
A8989	53-21	1
B-11	104- 7	5
B-11-57M	35- 3	1
B-88	43-10	4
B4750	75-43	5
B4785-1	75-44	2
B4855	75-45	16
BA33-010-1262	93-36	1
BB-128	61-26	6
	62-24	
BC-456A	91-47	1

PART NUMBER	FIG. AND IND. NO.	QTY. PER A/C
BC-458A	91-55	1
BC-696A	91-56	1
BC-733D	92-22	1
BC442-A	91-45	1
BC453B	91-41	1
BC-454B	91-42	1
BC-455B	91-43	1
BK-22K	92-14	1
BZ-RQ-41	23-36	2
	23-36	
BZRQ-41	22-42	2
B111745	7-91	4
B13318	81-18	2
B14248	81- 3	1
B16010	81-14	2
B16554	81-13	1
B16602	81-15	2
B16607	81-20	1
B16608	81-20	1
B17505	81-13	1
B181000-1	2-14	2
B18120L	2- 1	1
B18120R	2- 1	1
B18120-10-620	2- 1	1
B18120-11621	2- 1	1
B2930A	84-36	2
B8184	93-46	3
	93-47	
	93-50	
C-62867	22-61	2
CCA1600	56-31	4
	56-54	
CCA4900	57-18	1
DC-365	91-60	1
CS866	54- 6	2
	54-20	
C043069	69-20	1
C10X228FX	17-25	AR
C106336	75-26	1
Deleted		
C1882	61-44	4
C26S	37-35	36
C4/ARN-7	103-24	1
C4282	61-42	4
C62539	93-47	1
C8	84-36	2
D-3	47-28	2
D-6751-1-10	77- 5	1
D2332	84-16	1
D7825	84-13	1
DM-32A	91-44	3
DM-33-A	91-47	1

PART NUMBER	FIG. AND IND. NO.	QTY. PER A/C
DM-53-A	92-22	1
D10-458M	35- 2	1
D12364	81- 1	1
D14495	81- 4	1
D16716-5	81-19	2
D177954	30-12	3
	30-12	
D2332	84-18	1
D3-180-M	32-41	1
D4	12-43	1
E1044	80- 4	1
E-50024-59	35- 9	2
EA102	75-19	1

PART NUMBER	FIG. AND IND. NO.	QTY. PER A/C
EA1611-189726-1	56-26	1
EA1612-189726-1	56-26	1
EA1611-189630-2	56-49	1
EA1612-189630-1	56-49	1
EC612	87- 2	.
	87- 8	
EM20205	75-18	1
ES-69038	93-37	3
ESO-684449-1	93-55	1
ESO-690347-3	93-52	1
ESO-691189-2	93-35	1
ESO-691190-1	93-35	1

PART NUMBER	FIG. AND IND. NO.	QTY PER A/C
ESO-696917-1	93-55	1
FA12476	99-33	1
FBA-4	60-17	4
FL-30	93- 1	2
FT-213A	91-52	1
FT-220-A	91-44	1
FT-221-A	91-44	1
FT-225A	91-48	1
FT-226A	91-58	1
FT-227A	91-57	1
FT-229-A	91-45	1
FT-230-A	91-44	3
FT-231-A	91-50	1
FT-293-A	92-23	1
F4-30	7- 1	12
D E L E T E D		
GA-1-A3	84- 5	2
GE26F558G3	88-13	4
GK-CL-1/2BN	82- 2	2
GK-C8-32SL	82- 1	2
GSA-T-593	99-45	2
G8400-8-24	85-64	1
HS-33	92-19	5
	92-19	
	93-10	
I-70-B	93-22	1
IN-88	91-67	5
I180361	18-24	1
I180361-1	18-25	1
I180361-4	18-26	1
I180361-13	18-27	1
I180361-9	18-28	1
I180481	1-31	1
I180481-1LH	78- 3	1
I180481-1RH	78- 3	1
I180481-2	78- 8	2
I180481-4LH	78- 4	1
I180481-4RH	78- 4	1
I180482	1-31	1
I180482-2LH	78-14	1
I180482-2RH	78-14	1
I180482-3	78-14	2
I180482-4	78-11	2
I180482-6	78-12	2
I180483L	78- 6	1
I180483R	78- 6	1
I180484L	78- 7	1
I180484R	79- 7	1
I189084	54-81	1
I189668	79-68	1
I189669	79-67	1
I189673	79-18	1

PART NUMBER	FIG. AND IND. NO.	QTY PER A/C
I189687	53- 7	2
I189688	53-10	2
I189690	53-16	1
I189694	53- 4	1
I189711	79-66	1
I189712	53- 2	1
JK-33	93- 7	2
JK-34	93- 6	2
J5384-1	36- 8	2
J5385-1	36- 7	4
K-1700B-2	56-31	4
	56-54	
KP-12-A	70-15	4
KP-8-A	70-18	1
K1400B-4	59-10	2
K16A	27-57	2
K1700B-2	58-58	2
K3L	13-31	2
K4	66-10	4
	66-24	
K4A	68-43	4
K6A	13- 3	8
	65- 4	
	65-17	
	67- 9	
L-71-5	37- 6	2
LI-100	91- 8	3
	91-27	
	91-37	
LP-21	91-60	1
LP-21-A	91-60	1
L1148	94-87	7
	95-36	
L75003	93-42	1
M-305-15C	84-32	5
M/T-5/AXR-2	91-50	1
MC-124	92-27	3
	92-28	
	92-29	
MC-136	91-52	2
	93-55	
MC-203-A	92-30	1
MC-211A	91-41	6
	93-55	
MC-215	92-24	3
	92-25	
	92-26	
MC2711	86-41	2
MS2711-M2	86-41	2
MN53B	91-39	1
MP-37-B	91-39	1
MR-64A	91-40	1

Part 5  
Numerical Part List

EO 05-45B-4

PART NUMBER	FIG. AND IND. NO.	QTY PER A/C
MS2191G4	30-63	2
	30-64	
MS25331-1	75-41	
MS28741-4-0080	30-68B	1
MS28741-4-0080	58-69	2
MS28741-4-0194	46-10	2
MS28741-8-16	59-51	4
MS28741-8-19	59-50	2
MT-28/ARN-5	93- 3	1
M1	94-85	1
M18867	22-62	4
	22-64	

PART NUMBER	FIG. AND IND. NO.	QTY PER A/C
M33705	40- 6	1
M4282	61-43	4
M5MP	93-21	2
M62867	22-62	2
NAF1201-5	98-32	2
NAF1201-6A	98-34	2
NAR9B-19	37-26	2
NAS2-101	24- 4	2
NAS2-101A	32-24	1
NAS2-201A	24-20	2

PART NUMBER	FIG. AND IND. NO.	QTY PER A/C
NAS221-19	96-10	20
NAS302-25-2237	33-28	1
NAS304-34-0723	62-30	2
NAS304-35-0656	62-27	2
NAS304-37-0135	61-36	2
NAS304-45-3464	64-20	2
NAS314-27-0296	30-33	2
NAS314-37-0240	64-56	1
NAS314-37-0244	64-56	1
NAS395-5-1	84- 2	6
NAS438-1	88- 8	4
NAS438-2	88- 8	4
NAS45-6-10	92-15	2
NAS45-6-4	85-10	1
NAS45-6-5	85-57	2
NAS45-6-7	86-20	2
NAS45-6-8	85-16	1
NAS45-8-20	91-69	4
NAS50-112	31-18	4
NAS50-137P	26-11	6
NAS51-162	24-17	2
NAS51-87	54-22	1
	86-25	
	85-25	
NAS52-6AC-1100	86-25	1
NAS52-6AC-1234	86-25	1
NAS52-6AC-1274	86-25	1
NAS679A4	36-12	18
NAS679-A06	39A-4	30
NK-27-21C-5/8	91-67	4
NK-27-21X-5/8	93-55	4
NK-27-325	93-55	4
PK76X2-6-5	84-34	8
PK78X2-6-8	18-33	7
PK79X2-8-15	21- 8	4
PL-112	91-60	1
PL-122	91-52	1
PL-147A	91-44	1
PL-148A	91-48	1
PL-151A	91-44	2
	91-48	
PL-152A	91-44	3
PL-153A	91-48	1
PL-154A	91-48	2
	91-58	
PL-156A	91-45	2
	91-58	
PLM-100	86-29	2
PLM-50	86-35	3
	90-12	

PART NUMBER	FIG. AND IND. NO.	QTY PER A/C
PSM-10	77- 6	19
	77-21	
	93-24	
PSM-15	77- 8	3
	81-22	
PSM-20	77- 7	4
	77-22	
	93-25	
PSM-30	77- 9	2
PSM-35	93-26	1
PSM-5	77- 4	6
	77-20	
	77-29	
	93-23	
R-5A/ARN7	91-51	1
R-89-B	93- 2	1
R-89B/ARN-5A	93- 2	1
RC20BE102K	92-12	4
REB3N	38-35	34
	55-22	
	55-35	
	55-42	
	55-47	
	55-51	
	55-59	
RG32G141	84-39	1
RXD1563-1	58-22	2
R8A	89- 8	1
R985-AN-14B	36- 1	2
R985-AN-148	1- 6	2
S152	21-14	AR
S-124-17	15-11	2
S-126-20M	64-28	4
S-126-22M	64-51	4
S-126-36	66-41	2
S-139	47-14	2
S-141	30-14	4
S-159	10-16	2
S-162	56-13	24
	56-11	
	60-13	
S-185-102-010	39-22	54
S-197	54-92	10
S-198-4-38	65-61	1
S-207-6	55-65	2
S-21-3	61-29	2
S-220-1	102-24	4
S-241	47- 3	14
	55-40	
	55-44	

Part 5  
Numerical Part List

EO 05-45B-4

PART NUMBER	FIG. AND IND. NO	QTY PER A/C
S-241	55-57	14
	55-73	
	55-81	
	55-85	
S-246	58-67	4
S-34-1	22-66	2
S-34-2	61-44	4
S-37	55-34	10
	55-45	

PART NUMBER	FIG. AND IND. NO.	QTY PER A/C
S-73-11	43-20	2
S-80	59-21	2
SB9RN-4	37-35	4
SB9RN/W	37-35	4
SB9RU-3	37-35	4
SC2611	85-25	1



PART NUMBER	FIG. AND IND. NO.	QTY. PER A/C
SD-3	91-38	12
SI-100	91-7	5
	91-19	
	91-30	
SIK-5	91-32	18
	3-24	
	4-22	
	7-64	
	7-67	
	14- 6	
	14- 9	
	64- 3	
	66-27	
	66-27	
SK-C16-21C-5/8	91-40	1
SK100-10-32X1/2	81-17	4
SK72-832-8	99- 7	2
SK83-632-8	99- 4	2
SK83-8-32X1	101-10	12
SK83-832-1	99-15	8
SW-172	92-14	1
SW-172-A	91-66	1
S10340	93-13	2
S123	33-23	1
S124-16	5-15	3
	13- 4	
S124-24	68-10	2
S126-34	33-37	2
S126-36	33-38	2
S130	27-34	1
S165M	62- 7	2
S168	5-15	3
	13-23	
S17	93-27	1
S190-4C-106	60- 6	16
S219	7-14	AR
S220-1	27-30	10
S34-2	27-25	3
	33-45	
S36-1	38-13	4
S36-2L	38-15	4
S36-2R	38-15	4
S36-3	38-20	16
	38-49	
S36-4	38-16	16
	38-45	
S36-6	38-15	12
	38-44	
S36-7	38-14	12
	38-43	
S73-11	68-14	1
S73-12	68-12	1

PART NUMBER	FIG. AND IND. NO.	QTY. PER A/C
S74-6	98- 1	2
T-17	92-18	5
	92-18	
	93- 9	
TCB-15200-4	58-19	2
TF-900-1	37- 4	2
TM-201	91-37	1
TS-100	91- 7	4
	91-19	
	91-30	
TU-100	91-20	3
	91-31	
TUI-100	91- 7	7
	91- 7	
	91-20	
	91-31	
UG-102/U	92-23	2
	93- 3	
UG-104/U	92-23	2
	93- 3	
UG-21BIU	91-54	1
U550-BE	58-22	2
VJR24B-5X	83-12	2
VM-400-2	75- 3	5
W-15005/8D	48-13	2
WS-5B-U	91-33	1
WS-5B/U	91-20	1
WS5B/U	91-10	2
WZ-R31	22-38	5
	22-44	
	86-41	
W1500-5/8	79-12	6
	79-42	
	79-100	
W1500-5/8D	58-54	2
Y-127	18-12	1
DELETED		
	85-06	
000-64003-1	73-44	4
	74- 8	
000-64004-1	73-45	4
	74- 9	
0147	84-21	3
	103-11	
	84-23	
66656	54-40	1
7100	35- 5	2
7196	35- 6	2
8867	22-63	4
1E52BLB1A	45-19	1
1E52BLB1C	45-19	1
1E521DC	45-19	1

Part 5  
Numerical Part List

EO 05-45B-4

PART NUMBER	FIG. AND IND. NO.	QTY. PER A/C
1E521DG	45-19	1
1E521HAC	45-19	1
1E521HC	45-19	1
1E521JC	45-19	1
1E521NC	45-19	1

PART NUMBER	FIG. AND IND. NO.	QTY. PER A/C
1-82	103-19	1
1MBA-6658	91-26	1
1MBA13089	75-36	1
1MBA13101	85-58	1

PART NUMBER	FIG. AND IND. NO.	QTY PER A/C
1MBA13294	75-37	2
	77-27	
1MBA13300	105-20	1
1MBA13331	57-19	1
1MBA13356	75-37	1
	105- 8	
1MBA13481-2	46-28	1
1MBA13481-3	46-29	1
1MBA13510	46-33	1
1MBA13594	1-31	1
1MBA3182	82-26	2
1MBA3232	102- 5	10
	102-16	
1MBA3233	102- 3	5
	102-14	
1MBA3235	102- 4	10
	102-15	
1MBA3236	102- 2	5
	102-13	
1MBA4400	73-56	
	74-15	2
1MBA-4646	17-45	1
1MBA4667	93-11	4
1MBA6624	90- 1	1
1MBA6624-1	90- 1	1
1MBA6687	46-31	1
1MBA6874	91-59	8
1MBA6944	91-13	1
1MBA6974	91-67	1
10-SW-75	84- 5	10
	84-28	
	84-33	
10-10377	22-46	6
100696-D08-04-016	101-23	4
100696-D08-05-018	101-32	67
	101-35	
	102- 6	
	102-10	
	102-11	
	102-17	
100696-DZC-005	94-81	4
100696-D08-06-018	27-22	37
	54-13	
	101-11	
	102- 9	
100696-D08-06-104	91-63	1
100696-D10-06-028	30-63	1
100696-D12-06-018	74-25	2
100696-D12-07-014	52- 9	2
100696-D12-07-007	52-10	2
100696-D16-06-012	72-30	8
100696-D16-06-024	72-30	4

PART NUMBER	FIG. AND IND. NO.	QTY PER A/C
100696-D22-11-004	38- 6	4
100696-D25-21-127	98-19	2
100696-P10-07-116	54- 4	2
100696-S08-018	99-43	4
100696-S11-09-008	30-27	4
100696-S32-29-016	30-18	4
100696-X08-06-002	54-57	2
	54-78	
100696-X08-06-004	54-54	2
	54-75	
100696-X08-06-038	65-61	1
100696-X12-010-0003	64-37	3
100696-X13-09-016	87-13	4
100696D08-06-018	85-48	4
100801-D3-0562	53- 9	2
100801-S3-0750	94-56	2
100801-S3-2015	94-60	2
100801-X2-0125	6- 7	4
100801-X3-0812	47-16	2
100801-X4-0500	33A- 7	4
100801-X5-0785	38- 5	4
100801-X5-1500	39- 8	2
100801-X6-0094	64-34	2
100801-X6-0185	32-18	3
	32-21	
100942-010-006-316-84	54-35	1
100942-062-010-028-14	96-47	10
100942-063-014-216-40	30-55	1
100943-029-006-024-8	73- 7	14
	73-75	
	74-61	
100943-032-014-200-6	94-65	2
	95- 8	
100943-040-008-024-8	55- 9	2
100943-051-020-024-6	54-66	1
100943-063-017-104-4	32-28	1
100943-091-017-024-4	39- 9	2
100951-DD-187-006	96-52	20
100951-DD-187-017-018	99- 5	1
100951-DD-187-012-106	18-13	1
100951-S-032-008-016	64-28	6
	66-41	
100951-S-032-008-100	62- 3	4
100951-S-032-029-108	30-18	8
100951-S025-016-024	54-65	1
100951-S031-016-100	53-18	3
100951-S063-007-012	43- 9	72
	43-12	
100951-S063-008-030	53-26	4
100951-X-040-007-100	96-41	10
100951-X-063-009-020	64-39	6
100951-X-125-007-016	96-42	10

Part 5  
Numerical Part List

EO 05-45B-4

PART NUMBER	FIG. AND IND. NO.	QTY PER A/C
100951-X063-008-024	61-29	2
100951-X063-016-022	32-29	1
100951-X063-017-100	32-38	2
100951-063-006-024	86-42	2
100969-A19-15-014	31- 3	4

PART NUMBER	FIG. AND IND. NO.	QTY PER A/C
10121	95-15	2
101321-00-0193-0172	95-27	
	54-88	4
	54-90	

PART NUMBER	FIG. AND IND. NO.	QTY PER A/C
101321-00-0193-0217	54- 87	6
	54- 89	
	54- 91	
1021	94- 76	2
102361-01300	76- 11	2
102809-A-125-020	17- 43	1
102809-A078-012	65- 49	8
	67- 35	
	65- 49	
102809-A078-014	63- 19	2
102809-A093-017	31- 23	4
102809-A125-011	32- 33	1
102809-A125-022	32- 34	1
102809-A125-026	13- 6	4
	15- 21	
102809-A128-100	96- 33	10
102809-062-012	17- 24	2
102809-124-025	54- 21	1
102809-125-020	65- 10	1
102809-125-024	98- 9	2
102809-250-013	91- 9	1
102933-D3-0312-0500	73- 39	3
102933-D4-0250-0468	96- 44	10
102933-D4-0312-0281	96- 45	10
102933-S4-0250-0081	47- 30	2
102933-S7-0426-3125	73- 66	2
103053	37- 32	AR
10319A-040-024	69- 6	1
103990-07-0810	71- 19	2
104036-2-0103-0604	46- 13	2
1042-17	88- 10	2
1042-17-A	90- 7	2
104250-A-12-11	89- 5	2
104253-C1-142	89- 9	9
104662	7- 7	2
	7- 7	
105019	55- 14	2
105020	55- 13	2
105090-B-003-8-028	69- 19	AR
105090-B-004-8-028	69- 19	AR
105090-B-005-8-028	69- 19	AR
105090-B-010-8-028	69- 19	AR
105090-B-020-8-028	69- 19	AR
105090-CR-032-7-116	58- 79	8
105090-CR016-3-014	38- 27	AR
105151-R-01312	27- 60	2
105211-6-023	60- 17	2
105212	38- 30	4
105349	38- 55	2
105349-600	38- 55	2
105350	38- 3	8
105351	38- 57	2
105352	38- 56	2
105574-C-090-00204	57- 20	1
10559	27- 47	1
105714-S-1-6	54- 41	3

PART NUMBER	FIG. AND IND. NO.	QTY PER A/C
	54- 44	
105739-S0250-0312-0500	64- 38	3
105739-X019-0250-0105	98- 12	4
105739-X0193-0312-0213	33A- 12	4
105739-X0391-0500-0937	54- 23	1
105740-S437-0502-1250	73- 65	2
105740-X0193-0251-0510	30- 24	8
105740-X0313-0377-0380	30- 31	8
105744-C-063-00304	7- 16	2
105774-C-063-00304	7- 24	2
105774-C-063-00428	82- 18	1
105774-C-085-03100	5- 2	1
105774-C-085-03600	7- 11	2
105774-C-085-05600	13- 28	2
105774-C-090-01300	94- 52	1
105798-10	41- 47	4
	42- 41	
105798-12	73- 21	32
	73- 42	
	73- 50	
	73- 69	
	73- 76	
	74- 5	
	74- 8	
	74- 23	
	74- 29	
	74- 37	
105798-14	41- 7	4
	42- 9	
105798-17	41- 8	6
	42- 10	
105798-18	41- 10	4
	42- 8	
105798-21	41- 9	4
	42- 7	
105933-10	79- 3	2
105947	36- 29	12
105982-3A-13-012	71- 17	2
105982-4A-15-004	100- 48	1
105982-4A-20-116	87- 12	2
105982-4A-21-110	87- 11	2
106043-5-12-08	99- 40	1
106043-58-04-200	73- 59	2
106043-0804-080	56- 20	2
106043-0804-100	56- 87	2
106043C-08-06-150	87- 2	2
106043C-12-06-230	87- 7	2
106119	10- 2	16
	10- 6	
	10- 9	
106200-H-12-12	103- 37	2
106200-H-16-12	59- 24	18
	59- 27	
	59- 30	
	59- 33	
	59- 38	



PART NUMBER	FIG. AND IND. NO	QTY PER A/C
106200-H-16-13	59- 9 59-11	4
106200-H-16-20	59- 6	2
106200-H-20-13	59-11	2
106200-H-4-12	59-41 59-43	6
106200H-12-12	37-13 37-19	2
106200H-16-12	59-36	4
106200H-16-19	59-19	2
106200H-10-11	79-13 79-19 79-43	16
106200H-10-15	48-12	4
106200H-16-14	45-24	2
106200H-16-17	59-13	2
106200H-4-12	46-11 59-47	4
106200H-8-15	58- 2 58- 5 58- 7 58- 9 59-54	10
106201-R-44300	65-53	1
106238	33-26	1
106242-3-01600	82-28	AR
106242-9-00900	30-73	1
106242-9-01400	30-71 30-73	3
106333	74-42	2
106335	75-27	1
106464	75-26 75-27	2
106561	68-41	2
107242-2-3100	82- 9	AR
107464	38-18 38-47 56-17 56-85 60-14	28
107496	94-69 95- 8	4
108059	56-40 56-63	4
108446-11	77-15	1
108446-13	77-28	1
108446-2	77-15	2
108446-4	77-28	1

PART NUMBER	FIG. AND IND. NO.	QTY PER A/C
108492-A1416-116	48- 2 48-25 58-14	8
108492-S-416-016	23-12	8
10951-X-063-009-020	64-34	4
109629	6- 6	4
109636-10	94-85	1
109639	59-35	4
109644-016-5A	39A-2	2
109644-022-5A	73-48	2
109644-043-4-A	73-76 74-29	4
109644-080-5A	73-41 74- 4	2
109644-082-5A	74-23 74-20	2
109645-014-1-A	90-20	2
109645-034-4-A	74-36	2
109645-034-5-A	73-20	2
109645-061-1-A	88-22	2
11-270-9-1	78-10	2
1100X12	25- 1 25- 1	4
110207	27-72	6
111-12004-1	6A-1	1
111-12004-2	6A-1	1
111-21006-1	16- 9	1
111-41004-1	64-59	1
111-41009-1	30-12	1
111-41010-1	30-12	1
111-66016	60- 8	2
111-61001	30-55	1
111-61002	30-56	1
111-61003	30-59	1
111-61004	30-60	1
111-61006	30-57	1
111-61007-3	30-69	1
111-61007-5	30-61	1
111-61007-7	30-69	1
111-61007-9	30-62	1
111-61007-11	30-68A	1
111-64001	73-12	2
111-64069-1	73-84	4
111-67001	79-17	6
111-71013-2	85-46	1
111-71014	16-17	1
111-71014-4	85-63	1
111-71034-2	84-14	1

Part 5  
Numerical Part List

EO 05-45B-4

PART NUMBER	FIG. AND IND. NO.	QTY PER A/C
111-72021-1	93-21	1
111-72021-3	93-21	1
111-728-120-12-10	99-26	1
111-71015	105-36	1
111-71019	105-35	1

PART NUMBER	FIG. AND IND. NO.	QTY PER A/C
111-81013-3	85-47	1
111-83002	20- 5	1
111-84019	95-36	2
111-84020	99- 7	1
111190-20	23-32	2



PART NUMBER	FIG. AND IND. NO.	QTY. PER A/C	PART NUMBER	FIG. AND IND. NO.	QTY. PER A/C
111191-024-08	94-90	2	13315-2	105-10	1
	95- 1		138143	77-25	1
111191-025-00	101- 7	3	138143E	77-26	1
111191-030-08	94-91	1	14-50	35- 1	2
111191-036-08	99-12	2		35- 1	
111192-024-08	94-92	2	1426	93-31	2
	95- 1		1426-12D	75- 5	3
111192-025-00	101- 8	3		103- 7	
111192-030-08	94-93	3	14942	27-69	1
	95- 1		15-124	93-20	15
	95- 1		15-192	93-20	15
111192-036-08	99-13	2	150PDL12	76-16	2
111200-10	23-31	2	1503F-1503	99- 4	1
111503-0906-062	94-78	2	15142	27-70	1
111504-010-016-0024-22	31- 7	4	1516	93-53	1
111504-029-013-0021-8	74-47	4	15191	27-71	1
	74-26		15290	86- 1	1
111513-024003	91-14	1	155-4	50-11	2
111716-XX-4-3	73-69	2	155-8	45-16	2
111730	73-13	4	1553	30-49	4
	73-56		1592-9	75-18	1
	74-15		1604	93-55	1
112132-1-11	92-11	1	1608A	99-25	1
112132-12-23	92-12	1	16203-0	103-3	1
114941	23-33	2	173-62	59-8	2
115099-8-202	37- 3	2	18S110-76	7-47	2
1179-1-1/4	101-20	1	18S5850P-16	36-21	1
1189084	54-81	1	18S5850P-17	36-21	1
1189662	79-86	1	18S5850P-18	36-21	1
1189668	79-68	5	18S5850P-19	36-21	1
	79-86		18S5850P-21	38-67	2
	79-86		18S5853	37-23	2
1189669	79-67	1	18S5906	38-26	4
1189673	79-18	2	18S5921-1	38-8	6
	79-26			38-38	
1189678	79-68	1	18S5921-2	38-25	14
1189687	53- 7	2		38-59	
1189688	53-10	2	18S5937	38-9	8
1189690	53-16	1		38-39	
1189694	53- 4	1	18S5967	55-19	4
1189711	79-66	1	18S5968	55-23	4
1189712	53- 2	1	18S5972L	38-29	2
12-270-8-2	78- 1	2	18S5972R	38-29	2
	78- 2		18S5973L	38-30	2
12-3A	94-76		18S5973R	38-30	2
	95-27		18S9021	47-1	2
			18S9022-1L	47-7	2
12B-048	11- 5	2	18S9022-1R	47-8	2
1265NA	84-38		18S9022-5	47-5	2
1316L	75-25	1	18S9022-6	47-10	2
12231	93-55	3	18S9022-8	47-19	2
13210	27-67	1	18S9031	47-31	2
13315-1	105- 9	1	18S9034	47-29	4

Part 5  
Numerical Part List

EO 05-45B-4

PART NUMBER	FIG. AND IND. NO.	QTY. PER A/C
18S9100-29	1-9	2
18S9132-1	43-24	2
18S9132-2	43-23	2
18S9150	36-33	2
18S9150-2	43-	2
18S9151	43-1	2
18S9152	43-5	2
18S9152-1	43-6	2

PART NUMBER	FIG. AND IND. NO.	QTY. PER A/C
18S9152-2	43-7	2
18S9152-3	43-8	2
18S9154	43-13	2
18S9154-1	43-14	2
18S9155	43-16	2
18S9155-COA32165	43-16	2
18S9156A	43-19	2
18S9156A-2	43-19	2

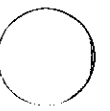
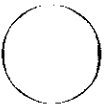
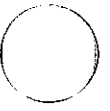
PART NUMBER	FIG. AND IND. NO.	QTY PER A/C	PART NUMBER	FIG. AND IND. NO.	QTY PER A/C
18S9161	43- 4	2	180451-1	91- 1	3
18S9162	43- 2	2		14- 1	
18S9163	43-35	4	180451-2	91- 2	3
18S9164	43-18	4		14- 1	
18S9181	37-29	2	180632U-1	94-20	2
18S9182	37-31	2		95- 7	
18S9183-1	37-27	4	180634U	92-16	8
18S9184	37-27	4		92-16	
18S9185	55-48	2		93-11	
18S9186	37-30	2	180645	99-34	2
18S9200L-1	39-12	1	180648P	94-21	2
18S9200L-26	39-19	1		95- 7	
18S9200L-3	39-16	1	180654P	94-26	4
18S9200L-500	1- 7	1		95- 7	
18S9200L-7	39-17	1	180806P	91-15	1
18S9200L-9	39-18	1	180820P	1-31	2
18S9200R-1	39-12	1		80- 1	
18S9200R-11	39-18	1	180820P-1	80- 3	1
18S9200R-27	39-20	1	180820P-2	80- 3	1
18S9200R-4	39-16	1	180820P-3	80- 2	1
18S9200R-500	1- 7	1	180904	83- 6	1
18S9200R-7	39-17	1	180905-6	83- 7	1
18S9204	39-21	18	180905-8	83- 7	1
18S9209	39-13	2	180960	86- 0	1
18S9212-5	39- 7	3	180961	86- 5	1
	39- 8		180966	86- 1	1
18S9213-8L	36-24	1	180968	86- 2	1
18S9213-8R	36-24	1	181105	7-33	4
18S9213L	1-10	1	181107	56- 8	2
18S9213R	1-10	1	181108	56- 3	2
18S936P	55-54	2	181109	56- 1	2
18S9502P-1	9- 4	2	181110	56- 7	2
18S9502P-2	9- 8	2	181110P	7- 3	2
18S9502P-3	9-12	2	181111	56- 5	2
18S9504P-1	10-18	2	181124	7-39	3
18S9504P-1	10-18	2		7-93	
18S9518	9-19	3	181125	7-38	3
	9-22			7-92	
18S9532L	9-14	2	181126	7-38	1
18S9532R	9-14	2	181127	7-39	1
18S9741P	59-45	4	181131L	9-31	1
	46-14		181131R	9-31	1
18S9753	59-22	4	181149	7-10	1
18S9774P	10- 4	9	181149-1	7-10	1
18S992	59-23	2	181156L	7-25	2
18091-1			181156R	7-25	2
180006	105-13	2	181157L	7-17	1
180062	99-10	1	181157R	7-17	1
180067	58-36	1	181159	7-15	4
180090	100-16	1		7-23	
180091	100-49	1	18116L	7-59	1

PART NUMBER	FIG. AND IND. NO.	QTY PER A/C
18116R	7-59	1
181164	7-20	1
181164-1	7-20	1
181169	7-27	8
181174UL	7-28	1
181174UR	7-28	1

PART NUMBER	FIG. AND IND. NO.	QTY PER A/C
181175U	7-29	4
	7-31	
181176U	7-30	2
181177	99-24	1
181178U-4	7-32	2

PART NUMBER	FIG. AND IND. NO.	QTY PER A/C
181185UL	7- 30	1
181185UR	7- 30	1
18120-73	3- 43	2
	4- 39	
18120-76	3- 33	1
18120-76R	4- 27	1
181201	3- 44	2
	4- 40	
181202	3- 26	1
181205	3- 42	1
181217	3- 26	1
181218	3- 25	1
18122	2- 15	2
181250L	3- 28	1
181250R	4- 23	1
181252-1	4- 24	1
181252L	3- 29	1
181260L	3- 27	1
181260R	4- 22	1
181262L	3- 28	1
181262R	4- 23	1
181270	3- 26	1
181272	3- 27	1
181280-4L	3- 30	1
181280-4R	4- 25	1
181280L	3- 29	1
181280R	4- 24	1
18130L	5- 3	1
18130R	5- 4	1
181304	5- 16	1
181307	5- 7	2
181308-1	5- 5	2
181308-2	5- 5	2
181308-3	5- 5	2
181308-4	5- 5	2
181308-6	5- 5	4
181313	5- 1	1
181315-1	5- 2	1
181315-2	5- 15	1
181317L	3- 46	1
181323	5- 18	1
181352	5- 22	2
18137R	4- 42	1
181410L	3- 19	1
181410R	4- 19	1
181417	3- 19	4
	4- 19	
18142L	3- 18	1
18142R	4- 18	1
18143-10	4- 20	1
18143-9	3- 20	1
18143L	3- 17	1
18143R	4- 17	1
18144L	7- 49	1
18144R	7- 49	1
18150-25	4- 33	1

PART NUMBER	FIG. AND IND. NO.	QTY PER A/C
18150-620	3- 37	1
18150-623	4- 33	1
18150L	3- 37	1
181501L	3- 40	1
181501R	4- 36	1
181502	3- 41	2
	4- 37	
18160L	6- 1	1
18160R	6- 1	1
18162-1L	7- 62	1
18162-1R	7- 62	1
18162-2L	7- 65	1
18162-2R	7- 65	1
18162-3L	3- 23	1
18162-3R	4- 21	1
181620	7- 63	4
	7- 66	
181651	2- 18	19
181657	6- 2	1
181657-1	6- 2	1
181658	6- 5	4
181659	6- 4	4
18174-2L	7- 57	1
18174-2R	7- 57	1
18174-3L	7- 58	1
18174-3R	7- 58	1
181786	62- 12	4
18181L	3- 5	1
18181R	4- 5	1
18182L	3- 8	1
18182R	4- 8	1
18183L	3- 9	1
18183R	4- 9	1
18184L	3- 10	1
18184R	4- 10	1
18185L	3- 11	1
18185R	4- 11	1
18186L	3- 12	1
18186R	4- 12	1
18187L	3- 13	1
18187R	4- 13	1
18188L	3- 14	1
18188R	4- 14	1
18189L	3- 15	1
18189R	4- 15	1
18190L	3- 16	1
18190R	4- 16	1
18191-1L	3- 1	1
18191-1R	4- 1	1
18191-2L	3- 2	1
18191-2R	4- 2	1
18191-3L	3- 3	1
18191-3R	4- 3	1
18191-4L	3- 4	1
18191-4R	4- 4	1
182020	100- 47	1



PART NUMBER	FIG. AND IND. NO.	QTY PER A/C
18206-1	2- 2	4
18206-2	2- 3	4
18207-1	2- 4	4
	7- 50	
18207-2	2- 5	4
	7- 51	
18207-3	2- 6	8
	7- 52	
18265-6	7- 60	1
18265-7	7- 60	1
18265-8	7- 61	1
18265-9	7- 61	1
183072	55- 16	2
183076	55- 6	2
183077	55- 11	2
183078	55- 7	2
183080	54- 11	1
183081	54- 12	1
183084	55- 8	2
183091	55- 5	2
183092	55- 3	2
183109	102- 25	1
183111	101- 36	1
183112	101- 21	2
	102- 22	
183121-2	100- 27	2
183123P	94- 32	4
183124	100- 21	1
183126	100- 30	2
183127	100- 35	2
183131	100- 51	2
183139L	100- 53	1
183141L	100- 58	1
183144L	100- 56	1
183145P	100- 37	1
183149	100- 41	1
18315-6	99- 32	1
18315-7	99- 31	1
18315-8	99- 30	1
18316	27- 27	1
183200	95- 17	1
183200-7	99- 28	1
183206-1	99- 27	1
183209	99- 22	1
18321-1	100- 60	2
183295	98- 31	2
183309	98- 3	2
18379P-1	16- 14	2
183809	5- 20	AR
183847P	54- 99	2
183852-1	54- 96	2
183852-2	54- 98	2
183852-3	54- 97	2
183852-4	54- 95	1
183854	54- 17	1
183854-1	54- 19	1

PART NUMBER	FIG. AND IND. NO.	QTY PER A/C
183855	54- 5	2
	54- 18	
183857-1	54- 85	1
183857-2	54- 83	1
183868-1	54-103	2
183868-2	54-100	4
183883	54-111	1
183883-1	54-111	1
183888	85- 7	1
183921	73- 4	18
	73- 72	
	74- 26	
	74- 47	
	74- 59	
18393	73- 27	8
	74- 66	
183945	74- 30	2
183946	73- 28	8
	74- 67	
183953	73- 10	4
	74- 53	
183955L	73- 8	2
	74- 50	
183955R	73- 8	2
	74- 51	
183957	74- 46	2
183959	74- 63	1
183960	74- 38	1
183960-1	74- 38	1
183966	73- 10	4
	74- 54	
183967	74- 39	2
183970	74- 43	2
183973	73- 6	12
	74- 60	
183976	73- 5	18
	73- 73	
	74- 26	
	74- 47	
	74- 58	
183977	73- 3	12
	74- 57	
183979	73- 11	4
	74- 39	
183980L	74- 55	1
183981	74- 62	2
183982	73- 9	4
	74- 52	
183985	74- 26	6
	74- 47	
183986	74- 26	4
	74- 47	
183992P	74- 2	2
183996P	73- 38	2
	74- 1	
183998	73- 60	8

Part 5  
Numerical Part List

EO 05-45B-4

PART NUMBER	FIG. AND IND. NO.	QTY PER A/C
	74- 17	
184200-114	22- 76	2
184200-208	64- 49	2
184212	16- 13	4
184214	16- 13	8
184321-1	27- 1	1
184412	57- 17	1
184444	7- 4	2
18445	16- 8	1
18446	16- 8	1
184470	16- 10	1
184470-4	16- 10	1
184660	16- 11	1
184690	16- 11	1
184734	71- 21	2
184820	99- 1	1
184830	99- 2	1
184832	99- 3	2
184833	16- 2	2
18525	19- 31	1
18525-7	19- 34	1
185251	16- 4	1
185253	19- 32	2
18526	16- 3	1
18526-19	19- 11	1
18526-3	19- 9	1
18526-600	16- 3	1
18526-9	19- 8	2
185261	19- 25	1
185262	19- 12	1
185264	19- 13	1
185267L	19- 1	1
185267R	19- 2	1
185268LH	19- 4	1
185268RH	19- 5	1
185269	19- 7	2
185270	19- 15	1
185270-2	19- 15	1
185271	19- 36	1
185272-2	19- 17	2
185273	19- 18	1
185274	19- 23	1
18528-3	19- 28	2
18528-5	19- 27	1
18528-601	19- 27	1
18550	16- 1	1
18550-11	17- 25	2
18550-20	17- 11	1
18550-21	17- 13	1
18550-29L	17- 30	1
18550-29R	17- 30	1
18550-3	17- 1	4
18550-35	17- 5	1
18550-36	17- 6	1
18550-4	17- 3	1
18550-48	17- 8	2

PART NUMBER	FIG. AND IND. NO.	QTY PER A/C
18550-5	17- 4	1
18550-6L	17- 8	1
18550-6R	17- 8	1
18550-7L	17- 9	1
18550-7R	17- 9	1
18551-2LH	17- 15	1
18551-2RH	17- 16	1
18551-3	17- 27	1
18551-4	17- 17	1
18552-1	17- 18	1
18552-10	16- 18	2
18552-11	16- 10	1
18552-2	17- 19	2
18552-4	17- 20	2
18552-6	16- 7	1
	21- 13	
185522	17- 51	2
185530	17- 26	2
	17- 38	
185530-16	17- 40	1
185530-4L	17- 32	1
185530-5L	17- 33	1
185530-6L	17- 37	1
185530-7	17- 38	1
185530-9	17- 39	1
185531	17- 27	1
185532	17- 28	1
185536	17- 28	1
185543	17- 41	1
185544	17- 45	1
185545	17- 44	1
185601	16- 8	3
	18- 2	
18561-1	18- 4	2
18561-3	16- 2	1
18561-4	16- 2	1
185622	99- 6	1
18563-10	18- 9	1
185633	18- 9	1
185650	16- 6	1
185650-10	21- 9	2
185653	21- 11	2
185674	18- 19	1
185675	18- 21	1
185678	19- 14	1
185681	18- 22	1
185682	18- 24	1
185700-3	11- 27	1
185808-4	33A- 3	2
	33A- 4	
185901-C055863	1- 4	2
185901-10	38- 11	2
185901-13	38- 11	2
185901-14	38- 11	2
185901-17	38- 12	2
185901-18	38- 12	2



PART NUMBER	FIG. AND IND. NO.	QTY PER A/C
185901-23	38- 2	2
185901-24	38- 2	2
185903-C055861	1- 5	2
185903-20	38- 41	2
185903-21	38- 42	2
185903-22	38- 43	2
185903-31	38- 51	2
185903-32	38- 51	1
185906	38- 11	4
	38- 43	
185907	38- 41	2
185907-1	38- 42	2
185908	38- 11	2
185908-1	38- 11	2
185909	38- 12	2
185909-1	38- 12	2
185915	38- 3	4
185916	38- 3	4
185917	38- 54	2
185918	38- 28	4
185920	38- 53	2
185928	38- 21	6
185941	36- 27	2
185967	38- 33	16
	38- 36	
185968	38- 36	8
185969	55- 24	8
185971L	38- 29	2
185971R	38- 29	2
185972	38- 31	24
185979-1	38- 29	4
185979-2	38- 32	24
185979-4	38- 29	1
185979-6	38- 32	2
185981L	38- 29	2
185981R	38- 29	2
185984 LH	38- 32	12
185984 RH	38- 32	12
185987	38- 59	1
185989	38- 59	4
185996	33A- 11	4
186003	14- 16	2
186033	12- 61	1
186033-1	12- 62	1
186036	12- 64	2
186036-1	12- 64	2
186037	12- 48	2
186040-2	12- 55	1
186043	12- 50	2
186046	12- 58	1
186047	12- 59	4
186048	12- 60	4
186050A-15L	12- 69	1
186050A-15R	12- 69	1
186050A-21L	12- 70	1
186050A-21R	12- 70	1

PART NUMBER	FIG. AND IND. NO.	QTY PER A/C
186050A-26	12- 1	1
186051-3	12- 44	1
186056	12- 26	1
186056-1	12- 27	1
186057	12- 33	5
186060	12- 29	4
186060-1	12- 30	4
186061	12- 40	1
186061-2	12- 41	1
186068L	11- 17	1
186068R	11- 18	1
186070	12- 34	2
186071	12- 35	2
186072	12- 36	2
186074	12- 38	1
186083	12- 25	2
186100	13- 1	1
186103	13- 34	4
186108	13- 35	1
186110LH	13- 26	1
186110RH	13- 27	1
186119	13- 2	2
186127	13- 29	2
186128	13- 30	2
186132	13- 24	4
186134-R	13- 25	1
186134-6	13- 25	1
186138	66- 21	1
186138-1	66- 23	1
186151	13- 32	2
186160-2	66- 25	1
186160-4	66- 27	1
186161	64- 3	5
	66- 27	
186161-1	66- 27	1
186170	12- 46	2
186176	15- 30	6
	15- 30	
	15- 30	
186177	15- 30	5
	15- 30	
	15- 30	
186186	66- 27	1
186186-2	66- 27	1
186200-19	11- 9	1
186200-600	11- 8	1
186200-619	11- 9	1
186200L	11- 8	1
186200R	11- 9	1
186203-1	14- 19	4
186203-2	14- 19	4
186206	14- 11	3
	14- 11	
186207-1	14- 19	6
186207-2	14- 19	2
186210	14- 3	6

Part 5  
Numerical Part List

EO 05-45B-4

PART NUMBER	FIG. AND IND. NO.	QTY PER A/C
186210-1	14- 4	6
186215	14- 7	2
186215-2	14- 8	2
186250-1	15- 2	1
186250-14	15- 7	2
186250-15	15- 2	1
186250L	15- 1	1
186253-6	15- 25	2
186253-7	15- 26	1
186253L	15- 24	1
186253R	15- 24	1
186256	15- 3	1
186256-1	15- 3	1
186256-2	15- 4	1
186256-3	15- 4	1
186256-4	15- 3	1
186262-1	11- 24	1
186262-2	11- 25	1
186270	15- 6	2
186271-1	15- 8	2
186272	15- 10	2
186278	15- 22	1
186278-1	15- 22	1
186350	11- 12	1
186351	15- 29	15
	15- 29	
	15- 29	
186352	15- 29	15
	15- 29	
	15- 29	
187002	64- 6	2
187002-1	64- 7	4
	64- 11	
187002-2	64- 10	2
187006	62- 31	4
187007-2	62- 11	4
187021	66- 39	1
187022	66- 33	1
187049	100- 38	1
187054	94- 70	2
	95- 8	
187058	100- 43	1
187059M	64- 33	5
	64- 36	
187090	68- 2	1
187090-2	68- 2	1
187090-3	68- 2	1
187096	66- 34	1
187096-1	66- 36	1
187096-3	66- 38	1
187097	66- 28	1
187097-1	66- 30	1
187097-3	66- 32	1
187108	65- 53	3
	67- 30	
187111-1	65- 48	1

PART NUMBER	FIG. AND IND. NO.	QTY PER A/C
187111-2	65- 49	2
187111-6	65- 49	1
187132	62- 13	2
187156	67- 26	1
187156-2	67- 28	2
187156-4	67- 29	1
187171-1	66- 15	1
187171-4	66- 14	1
187172	66- 18	2
187202	66- 9	1
187247	94- 81	2
187300	62- 6	1
187300-1	62- 6	1
187301	62- 8	1
187301-1	62- 8	1
187302	62- 9	2
18732	62- 1	2
18732-1	62- 4	2
18734L	3- 21	1
18734R	4- 29	1
187402	30- 16	4
18743-1	64- 31	2
187482	30- 15	4
187503	100- 32	1
187503-1	100- 31	1
187506	61- 5	1
187507	61- 2	2
187508	61- 11	2
187509A	100- 29	2
187511	61- 3	2
187512	61- 4	2
187513	61- 9	4
187515	61- 9	4
187516	61- 10	2
187517	66- 01	2
187522	61- 31	2
18754-1	64- 50	4
18754-2	61- 24	6
	62- 37	
187600	67- 1	1
187601-1	67- 2	1
187601-2	67- 3	2
187602	67- 5	1
187603	67- 8	1
187604	67- 11	1
18761	67- 6	1
187660L	7- 67	1
187660R	7- 67	1
187661	63- 18	2
187662	7- 68	2
187689	12- 52	2
	65- 68	
187690L	12- 1	1
187690R	12- 1	1
187691	12- 4	2
187692	12- 10	2

PART NUMBER	FIG. AND IND. NO.	QTY PER A/C
187693	12- 6	2
187694	12- 9	2
187695	12- 51	4
	65- 67	
187704	14- 13	3
	14- 13	
187705	15- 10	2
187707	15- 12	2
187710	13- 8	4
	15- 17	
187710-1	13- 9	4
	15- 18	
187710-2	13- 10	4
	15- 19	
187711	13- 11	4
	15- 16	
187712	13- 7	4
	15- 20	
187713-1	63- 1	1
187713-2	65- 65	2
187714-1	12- 13	4
	12- 15	
	12- 23	
187714-3	54- 26	5
	67- 10	
187714-4	12- 18	2
	12- 20	
187715	12- 5	5
	14- 14	
	14- 14	
187716	14- 15	3
	14- 15	
187717A	67- 7	1
187719-1	12- 21	1
187719-2	12- 22	1
187719-3	12- 12	2
	12- 24	
187719-4	12- 16	1
187719-5	12- 19	1
187719-6	12- 11	1
187719-7	12- 14	1
187726-4	13- 14	2
187727	13- 5	4
	15- 14	
187729	74- 44	2
187732	65- 5	2
	65- 18	
187735-1	12- 17	1
187735-2	67- 13	2
187736-1	67- 15	2
187736-2	67- 14	2
187737-1	67- 18	1
187745	5- 7	1
187746	5- 9	1
187747	5- 10	1
187748	14- 10	3

PART NUMBER	FIG. AND IND. NO.	QTY PER A/C
	14- 10	
187752-2	68- 9	2
	70- 8	
187753-1	68- 11	1
187753-2	68- 15	1
187753-601	68- 11	1
187755	68- 5	2
187756-1	68- 54	1
187756-3	68- 52	2
18776-1	70- 16	1
18776-2	70- 21	2
18776-3	70- 20	2
18776-4	70- 16	1
187761-2L	70- 11	2
187762	68- 34	2
187762-2	68- 39	4
187762-4	68- 42	2
187763	68- 46	2
187764L	70- 1	1
187764L-1	70- 2	1
187764L-2	70- 3	1
187764L-3	70- 5	1
187764R	70- 1	1
187764R-1	70- 2	1
187764R-2	70- 4	1
187771	70- 6	2
	70- 6	
187772	70- 19	1
187773	68- 60	2
187775-2	70- 13	2
187775-4	70- 14	2
187776	68- 48	2
187777	68- 38	2
187778	68- 47	2
187779-1	68- 64	2
187779-2	68- 65	3
187783	12- 7	4
187784	12- 66	3
	12- 66	
187785	68- 23	1
187786	68- 58	1
187787-1	68- 27	1
187788	68- 17	1
187793	69- 13	1
187796-1	69- 2	1
187796-2	69- 8	1
187797	69-11	1
187798	68- 35	2
187800	68- 62	1
187803	65- 1	1
187805	68- 45	2
187808	69- 9	1
187809	69-12	1
187811	5- 11	5
	13- 13	
	15- 13	

Part 5  
Numerical Part List

EO 05-45B-4

PART NUMBER	FIG. AND IND. NO.	QTY PER A/C
187812	68- 7	1
187825	68- 3	1
187828	68- 44	2
187831	68- 24	1
187837	68- 63	5
187838	68- 56	1
188009	27- 6	3
	68- 22	
188010	27- 41	1
188022	22- 40	1
188022-1	22- 40	1
188023	22- 48	1
188023-1	22- 48	1
188024	22- 49	1
188024-1	22- 49	1
DELETED		
188434-2	23- 10	2
188453-1	22- 55	2
188453-2	22- 56	2
188456	22- 59	12
188465	32- 12	2
188501	27- 61	1
188503	27- 11	2
188503-1	27- 12	2
188503-2	27- 13	2
188508A	27- 59	1
188509-1	27- 73	1
188511	28- 1	1
188512	28- 2	1
188513	28- 2	1
188515	28- 5	1
188516	28- 6	2
188517	28- 13	1
188518	28- 4	1
188518-1	28- 6	2
188521-1	27- 9	1
188532	28- 15	1
188561-1	28- 7	1
188562	27- 7	3
	68- 21	
188564	61- 22	2
188568	28- 9	1
188601	34- 15	1
188602	34- 3	1
188605	34- 5	1
188608	34- 14	1
188615-1	34- 2	1
188615-2	34- 16	1
18865-14	32- 31	1
188651	32- 27	1
188655	33- 10	1
188657	33- 9	1
188662	33- 44	1
188666	33- 31	1
188667	32- 2	1
188671	33- 32	1

PART NUMBER	FIG. AND IND. NO.	QTY PER A/C
188673	33- 12	1
18871	32- 15	2
188851-1	27- 16	1
188851-2	68- 16	1
188900-1	29- 11	1
188901	29- 10	1
188902	29- 23	1
188905A1	29- 18	1
188905A3	29- 17	1
188906	27- 76	1
188907	27- 78	1
188908	29- 19	2
188909	29- 6	1
188912	27- 64	1
188913	27- 65	1
188914	27- 58	1
188950	27- 26	1
188951-1	27- 32	1
188953	27- 40	1
188955	27- 28	1
188956	27- 46	1
189004	57- 23	1
189021	45- 36	2
189038-2	55- 1	1
189038-4	55- 2	1
189046	54- 79	1
189063	54- 93	10
189071	54- 81	1
189073	55- 70	1
189074	54- 79	2
	54- 85	
189082	54- 94	1
189083	54-105	1
189085	54-102	2
189087	54-101	4
189088	54-104	2
189089	54- 83	2
189095-1	55- 58	2
189095-10	55- 68	1
189095-11	55- 17	2
189095-12	55- 74	2
189095-2	55- 58	2
189095-3	55- 50	1
189095-4	55- 50	1
189095-5	55- 41	1
189095-6	55- 41	1
189095-7	55- 46	1
189095-8	55- 46	1
189095-9	55- 68	1
189107	40- 3	2
189108	40- 2	2
189109	40- 1	4
189110	36- 30	2
189121	42- 23	1
189140	41- 27	2
	42- 29	

PART NUMBER	FIG. AND IND. NO.	QTY PER A/C	PART NUMBER	FIG. AND IND. NO.	QTY PER A/C
189142	41- 25	1	189210RH	39- 1	1
189154	41- 6	1	189211L	39- 5	1
189155	43- 15	2	189211R	39- 5	1
189158	41- 4	1	189212	39- 3	2
189159	41- 23	1	189213	39- 6	2
189159-1	42- 31	1	189214	1- 31	1
189160	41- 35	2	189214-1	1- 31	1
	42- 35		189217	39- 25	2
189161	41- 33	1	189218	39- 27	6
189162	41- 31	1		73- 78	
189163	41- 3	1		74- 65	
189164	43- 17	4	189220	39- 23	2
189165	41- 1	1	189221	41- 5	1
189166	41- 29	1	189222	41- 2	1
189169	41- 40	3	189224	41- 46	4
	42- 37			42- 40	
189170	41- 41	3	189223	42- 6	1
	42- 38		189226	42- 3	1
189171	41-	1	189238	43- 11	4
189171-10	41- 19	1	189250	73- 51	4
189171-12	41- 20	1		74- 12	
189171-2	41- 11	1	189251	73- 52	4
189171-4	41- 12	1		74- 13	
189171-6	41- 15	1	189253	73- 54	4
189171-8	41- 16	1		74- 18	
189172	41- 43	1	189255	73- 57	6
189173	41- 44	1		73- 64	
189174	36- 31	1		74- 19	
189174-610	36- 31	1	189256	73- 77	4
189174-620	36- 31	1		74- 20	
189174-630	36- 31	1	189257	73- 17	6
189175	36- 31	1		73- 53	
189175-611	36- 31	1		74- 14	
189175-621	36- 31	1	189258	73- 58	4
189175-631	36- 31	1		74- 21	
189176	42- 33	1	189302	55- 75	7
189177	42- 1	1		58- 30	
189178	42- 27	1		79- 68	
189179	42- 25	1	189490	54-104	3
189180	42- 5	1		54-109	
189181	42- 4	1	189491-1	54-114	1
189182	42- 2	1	189491-2	54-114	1
189183	41- 37	1	189492	54-115	1
189184	41- 38	1	189493-1	54-107	1
189185	55- 52	2	189493-2	54-107	1
189186	42-	1	189494	54-110	4
189186-10	42- 19	1	189495	54-113	2
189186-12	42- 20	1	189498	78- 9	4
189186-2	42- 11	1	189516	9- 25	4
189186-4	42- 12	1	189519L	9- 17	1
189186-6	42- 15	1	189519R	9- 17	1
189186-8	42- 16	1	189521	55- 29	2
18920L	39- 1	1	189522	55- 28	2
189207-2	39- 14	2	189523-1L	55- 31	2
189208-2	39- 10	1	189523-1R	55- 31	2
189208-3	39- 10	1	189523-3L	55- 29	2
189210LH	39- 1	1			

Part 5  
Numerical Part List

EO 05-45B-4

PART NUMBER	FIG. AND IND. NO.	QTY PER A/C
189523-4R	55- 29	2
189525	55- 26	2
189526A-3	55- 18	1
189526A-4	55- 18	1
189526A-5	55- 18	1
189526AL	55- 18	1
189526AR	55- 18	1
189531	10- 14	2
189532	10- 13	2
189562A-2	55- 18	1
189567	7- 43	1
189567-1	7- 43	1
189602	56- 35	14
189602U	56- 58	14
189604U	56- 56	2
189605UL	56- 57	1
189605UR	56- 57	1
189607U	56- 55	2
189611	56- 59	2
189614	56- 36	4
	56- 59	
189620-12	56- 60	2
189620-14	56- 37	2
189620-7	56- 45	4
	56- 68	
189620-8	56- 46	4
	56- 69	
189621	56- 39	4
	56- 62	
189622	56- 38	4
	56- 61	
189623	56- 41	4
	56- 64	
189624	56- 42	4
	56- 65	
189628	56- 47	4
	56- 70	
189631	56- 28	4
	56- 51	
18965-1	56- 83	2
18965-2	56- 84	2
189651-1	56- 10	2
189651-2	56- 12	2
189653	56- 14	2
189670P	60- 12	4
189677	53- 3	1
189680	53- 6	1
189683	56- 29	4
	56- 52	
189685	53- 5	1
189686	53- 1	1
189686-600	53-	1
18970P-601	60- 12	2
189714	54- 43	1
189725U	56- 33	2
189726UL	56- 34	1

PART NUMBER	FIG. AND IND. NO.	QTY PER A/C
189726UR	56- 34	1
189728U	56- 32	2
189732	58- 37	1
189736	58- 24	8
189737	58- 34	1
189738	58- 28	2
189739	58- 35	1
189740	58- 25	2
189749P	59- 10	4
189750	56- 21	2
189759	45- 13	4
	50- 12	
189767	1- 31	1
189767-1	1- 31	1
189773	58- 10	1
189792	58- 10	1
189793	58- 1	2
189794	58- 8	2
189806	60- 18	1
189807	60- 18	1
189812	56- 88	2
189813	58- 6	2
189814	58- 4	2
189817	60- 11	2
189863	7- 86	2
189864	7- 83	2
189869	7- 85	4
189878	55- 70	1
197772	70- 9	1
2M-34739-39	14- 18	2
2MBA-13000	1- 1	
2MBA-5755-3-3-4-0	85- 35	1
2MBA-6314	56- 91	2
2MBA13298	90- 22	2
2MBA13365	90- 23	4
2MBA13367	88- 21	4
	90- 19	
2MBA13428	88- 26	2
2MBA13429	88- 27	2
2MBA13501	58- 52	1
2MBA13502	46- 33	1
2MBA13503	46- 25	1
2MBA13504	46- 23	1
2MBA13505	46- 21	1
2MBA13506	46- 19	1
2MBA13509	68- 63	5
2MBA13512	50- 16	2
2MBA13521	17- 31	1
2MBA13595	54- 39	1
	105- 25	
2MBA13595-1	54- 39	1
	105- 28	
2MBA3180	82- 21	1
2MBA3641	95- 4	2
2MBA3641-1	95- 4	1
2MBA4017	95- 49	1

PART NUMBER	FIG. AND IND. NO.	QTY PER A/C
2MBA4020	95- 48	1
2MBA4399-20	74- 15	2
2MBA4399-20	73- 56	
2MBA4410	56- 34	1
2MBA4410-1	56- 34	1
2MBA4411	56- 57	1
2MBA4411-1	56- 57	1
2MBA44214	53- 19	1
2MBA4804	91- 68	2
2MBA4806	95- 7	1
2MBA5755-2-3-3-2	102- 7	4
	102- 19	
2MBA5755-2-3-4-0	102- 18	1
2MBA5755-3-3-6-0	85- 39	1
2MBA6051-2	89- 10	1
2MBA6057-1	89- 6	2
2MBA6161	17- 5	2
2MBA6313	91- 14	1
2MBA6523	92- 15	1
2MBA6526	92- 9	1
2MBA6527	93- 1	2
2MBA6529	93- 4	1
2MBA6529-1	93- 4	1
2MBA6532	102- 11	1
2MBA6535	102- 10	1
2MBA6560	85- 53	1
2MBA6560-2	85- 54	1
2MBA6560-3	85- 55	1
2MBA6572-2	89- 3	1
2MBA6572-3	89- 4	1
2MBA6573-2	89- 3	1
2MBA6573-3	89- 4	1
2MBA6623	74- 27	1
2MBA6623-1	74- 28	1
2MBA6625	90- 2	1
2MBA6625-1	90- 2	1
2MBA6648	85- 62	1
2MBA6686-1	95- 46	1
2MBA6686-2	95- 46	1
2MBA6941-52	89- 11	1
2P-R400-BRD	37- 4	2
2UBA5755-3-4-4-1	102- 26	1
20BE301K	93- 21	4
202841-360	93- 8	2
202841-480	92- 21	4
	92- 21	
203KDD	68- 40	2
203886-1	10- 5	10
	10- 8	
203886-2	10- 1	6
205401	38- 52	2
205402	38- 2	4
205902	87- 6	2
206248-10-0400	56- 90	8
206248-2-0308	56- 16	2
206248-2-1017	56- 9	2
206248-2-10504	56- 83	2

PART NUMBER	FIG. AND IND. NO.	QTY PER A/C
206248-2-1100	56- 2	2
206248-2-11108	56- 84	2
206248-2-1200	56- 7	2
206248-2-1304	56- 4	2
206248-2-1500	56- 6	2
206248-2-1600	56- 77	2
206248-2-1800	56- 80	2
206248-2-1816	56- 71	2
206248-2-1912	56- 11	4
	56- 13	
206248-2-2012	56- 74	2
206248-2-3700	56- 83	2
206248-2-3900	56- 84	2
206248-2-5904	56- 11	2
206248-3-0908	56- 16	2
206248-3-5908	56- 13	2
206248-7-0800	9- 29	2
206248-7-1800	9- 30	2
206248-8-0208	9- 2	2
206248-8-0304	9- 6	2
206248-9-0208	9- 10	2
209	65- 31	1
209-1002	20- 4	1
21F/1	95- 44	1
21271	86- 12	6
214182	31- 22	4
21861	17- 46	2
DELETED		
22030	36- 35	2
22K1-048	54- 51	7
	61- 33	
22030	1- 2	2
22500	46- 34	7
	86- 41	
	86- 42	
22531	86- 52	1
24554	88- 11	4
	90- 8	
249384	82- 14	1
254370	85- 33	6
	85- 37	
	85- 44	
258X9	90- 10	2
26F558G3	86- 8	2
2609	99- 17	1
26404	43- 22	2
27N/10144	95- 16	
27VA/550	48- 13	2
276989	85- 34	6
	85- 37	
	85- 45	
28NB/W681032	41- 17	3
28552-6	16- 8	1
29-761	93- 20	15
295300	101- 27	8
295351-3-5	96- 3	20
3A673	74- 16	2

Part 5  
Numerical Part List

EO 05-45B-4

PART NUMBER	FIG. AND IND. NO.	QTY PER A/C
3MBA-10047	86- 24	1
3MBA-10048	86- 24	1
3MBA10007-3	82- 20	1
3MBA10029	86- 25	1
3MBA10030	86- 25	1
3MBA10071	83- 13	1
3MBA10072	83- 16	1
3MBA10073	83- 18	2
3MBA10075	83- 11	1
3MBA10077	83- 13	1
3MBA10078	83- 16	1
3MBA10079	83- 18	1
3MBA10081	83- 11	1
3MBA10082	89- 15	1
3MBA10082-1	89- 15	1
3MBA13007	91- 63	2
	91- 67	
3MBA13007-2	91- 67	1
3MBA13007-3	91- 64	1
3MBA13097	92- 20	1
3MBA13217-2	95- 42	1
3MBA13218	95- 37	1
3MBA13218-6	95- 39	1
3MBA13218-7	95- 40	1
3MBA13218-8	95- 41	2
3MBA13245-2	99- 42	1
3MBA13245-3	99- 44	1
3MBA13573	1- 31	1
3MBA3367-3	92- 8	1
<b>3MBA4288-55</b>	8- 10	4
3MBA4288-50L	8- 8	2
3MBA4288-5CR	8- 9	2
3MBA4803	91- 69	1
3MBA4803-2	91- 69	1
3MBA4803-3	91- 69	1
3MBA4803-4	91- 69	2
3MBA6012	91- 69	1
3MBA6524	91- 69	1
3MBA6613	91- 61	1
3MBA6614	91- 61	1
3MBA6626	86- 49	1
3MBA6663	92- 2	1
3MBA6663-2	92- 4	1
3MBA6663-3	92- 3	1
3MBA6691	37- 14	1
3MBA6692	37- 20	1
3MBA6693	1- 31	2
	37- 14	
3MBA6693-1	1- 31	1
<b>DELETED</b>		
3MBA6938	89- 2	1
3MBA6938-1	89- 2	1
3MBA6938-2	89- 2	2
3MBA6943	91- 11	1
3MBA6973	91- 67	1

PART NUMBER	FIG. AND IND. NO.	QTY PER A/C
3MBA6973-2	91- 67	1
3MBA6989	91- 62	1
3V-215	44- 9	2
30E16-1-B	37- 3	2
30-50470-50	86- 45	2
304-185954	8- 2	1
304918	38- 30	2
304918-1	38- 30	2
305911	74- 41	2
3096-13-4-AA-0194	83- 17	2
3096-13-8-AB-0161	83- 15	2
309613-8AD-0125	89- 17	1
3124-1-A	48- 9	2
3142J	93- 30	2
3143J	93- 29	1
316	55- 69	2
31708	17- 49	1
31709	17- 47	1
31710	17- 48	1
32696	99- 35	1
3384741	94- 23	2
	95- 7	
34-184326	64- 29	1
34-184326-1	64- 29	1
34822-1	45- 43	1
34822-2	45- 43	1
35-524011	30- 1	4
<b>(DELETED)</b>		
35-921526-12	57- 6	1
35534-3	83- 21	29
	86- 11	
357002	92- 15	1
35884	85- 49	1
36G2873	99- 20	1
366-1	93- 29	7
	93- 30	
	93- 31	
	93- 32	
	93- 33	
37A5949	60- 3	2
37B5944	60- 2	2
37D6210	59- 44	2
38-11-2	93- 46	1
39D3922	94- 82	1
3912	93- 34	2
	93- 51	
39250	25- 6	4
	25- 11	
39412	25- 5	4
	25- 10	
397-20	86- 45	1
4-189036	47- 11	2
4-189125	36- 3	2
4-189179	37- 28	2
4-189180	37- 33	2
4B2-P6	45- 34	2



PART NUMBER	FIG. AND IND. NO.	QTY PER A/C
4B2-P8	45- 34	2
4MBA13040	89- 1	1
4MBA13041	89- 1	1
4MBA13042	86- 18	1
4MBA13043	86- 18	1
4MBA13054	91- 68	1
4MBA13150	71- 40	1
4MBA13219	95- 37	1
4MBA13244	99- 41	1
4MBA13246	99- 41	1
4MBA13299	90- 22	2
4MBA13415	1- 31	1
4MBA13427-2	88- 25	4
4MBA3181-3	82- 26	2
4MBA3640	104- 2	5
4MBA3640-20	104- 2	5
4MBA4996	16- 9	1
4MBA6521-2	92- 13	1
4MBA6521-3	92- 15	1
4MBA6827	105- 4	1
4MBA6539	92- 31	1
4MBA6634	90- 3	1
4MBA6634-1	90- 3	1
4MBA6634-50	90- 3	1
4MBA6634-51	90- 3	1
4MBA6764	93- 19	1
4MBA6885-2	95- 45	1
4MBA6885-3	95- 45	1
4MBA6885-4	95- 45	2
4MBA6885-5	95- 45	1
4MBA6885-6	95- 45	2
4MBA6885-7	95- 45	1
4MBA6886	95- 45	1
4MBA6886-1	95- 45	1
4MBA6888	95- 45	2
4MBA6930	85- 40	2
	85- 61	
4MBA6936	100- 41	1
401-2A	54- 45	1
404-180014	105- 31	1
404-180039	90- 14	2
404-180048	105- 24	1
404-180052	94- 70	2
	95- 8	
404-180059	94- 88	1
404-180063	105- 23	1
404-180066	105- 3	3
404-180068	18- 29	1
404-180080	105- 15	1
404-180081	105- 18	1
404-180085	105- 22	1
404-180086	105- 16	1
404-180087	105- 32	1
404-180090	105- 17	1
404-180091	105- 14	1
404-180092	105- 19	1

PART NUMBER	FIG. AND IND. NO.	QTY PER A/C
404-180120	105- 26	1
404-180124	105- 30	1
404-180129	93- 5	1
404-180134	93- 5	1
404-180167	86- 31	2
404-180179	73- 72	2
404-180193	23- 26	1
404-180234	101- 15	5
404-180237SA2	96- 1	16
404-180237SA4	96- 1	4
404-180237SA6	96- 1	2
404-180237-8	96- 1	2
404-180243	101- 29	32
404-180432	81- 11	1
404-180433	81- 12	1
404-180434	81- 9	1
404-180434-1	81- 9	1
404-180435	81- 9	1
404-180435-1	81- 9	1
404-180523	86- 21	1
404-180523-1	86- 21	1
404-180525	85- 59	1
404-180526	85- 59	1
404-180541	84- 34	2
DELETED		
414-180555-606	83- 15	1
404-180555-653	83- 17	2
404-180555-654	83- 20	1
404-180555-655	83- 20	1
414-180555-605	83- 15	1
404-180571	84- 35	2
404-180577	86- 48	1
404-180577-1	86- 48	1
404-180578	88- 4	1
404-180578-1	88- 5	1
404-180578-600	88- 4	1
404-180578-601	88- 5	1
404-180579	88- 12	2
404-180580	88- 6	2
404-180581	88- 7	1
404-180581-1	88- 7	1
404-180583	88- 9	2
404-180587	88- 1	1
404-180587-1	88- 1	1
404-180588	88- 2	8
404-180593	86- 43	1
404-180632	99- 36	1
404-180642	99- 11	1
404-180643	94- 89	2
	95- 1	
404-180644	99- 14	1
404-180645	99- 46	1
404-180645-2	99- 46	1
404-180738	93- 4	1
404-180738-1	93- 4	1
404-180746	91- 64	1

Part 5  
Numerical Part List

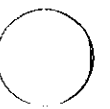
EO 05-45B-4

PART NUMBER	FIG. AND IND. NO.	QTY. PER A/C
404-180749	84-33	5
404-180782-42	93-54	1
404-180980	1-31	1
404-180990	82-21	1
404-180997	84-7	2
404-181000-2	2-9	2
404-181000-3	1-14	1
404-181010L	2-10	1
404-181010R	2-11	1
404-181160	7-36	1
404-181160-1	7-36	1
404-181161	7-35	1
404-181161-1	7-35	1
404-181350	2-17	1
404-181350-1	2-17	1
404-181350-630	2-17	1
404-181350-631	2-17	1
404-181650	2-19	1
404-181650-1	2-19	1
404-181650-642	6-	1
404-181650-643	6-	1
404-183011	99-7	1
404-183014	18-32	1
404-183039	94-84	4
	95-33	
404-183108	101-18	1
	102-20	
404-183109	101-16	1
404-183110	101-3	18
	101-26	
404-183120	94-12	2
	95-5	
404-183122	101-4	2
404-183123	100-18	2
404-183124	101-5	12
404-183126	100-19	1
404-183127	100-20	1
404-183129	72-6	1
404-183134	100-24	2
404-183137-44	100-9	1
404-183138	100-1	1
404-183138-40	100-6	1
404-183139	72-21	1
404-183140	72-17	1
404-183141	72-15	1
404-183142	72-19	1
404-183143	72-8	1
404-183146	100-2	1
404-183151	99-30	1
404-183152	99-31	1
404-183152-1	99-32	1
404-183290	18-35	2

PART NUMBER	FIG. AND IND. NO.	QTY. PER A/C
	94-98	
404-183302-1	96-25	10
404-183302-100	96-4	2
404-183302-14	96-40	5
404-183302-26	96-39	5
404-183302-101	96-4	3
404-183302-11	96-14	10
404-183302-12	96-29	10
404-183302-150	96-53	5
404-183302-17	96-13	10
404-183302-175	96-48	5
404-183302-200	96-4	2
404-183302-201	96-4	3
404-183302-21	96-37	5
404-183302-24	96-20	5
404-183302-25	96-19	5
404-183302-27	96-9	5
404-183302-28	96-8	5
404-183302-29	96-23	5
404-183302-3	96-17	40
404-183302-30	96-6	5
404-183302-31	96-7	5
404-183302-37	96-38	5
404-183302-38	96-31	10
404-183302-39	96-36	5
404-183302-4	96-22	10
404-183302-40	96-43	5
404-183302-6	96-15	40
404-183302-7	96-18	5
404-183302-8	96-18	5
404-183302-9	96-12	20
404-183347	96-26	5
404-183347-1	96-27	5
404-183349	96-50	5
404-183349-1	96-51	5
404-183352	96-58	10
404-183365	96-32	10
404-183366	96-34	10
404-183366-2	96-35	5
404-183367	96-54	5
404-183367-1	96-55	5
404-183369	96-5	10
404-183385	80-1	1
404-183388	96-59	5
404-183389	96-11	10
404-183389-19	96-59	1
404-183601	85-18	1
404-183601-16	85-19	1
404-183601-20	85-28	1
404-183601-30	85-24	1
404-183601-32	85-29	1
404-183601-4	85-26	1

PART NUMBER	FIG. AND IND. NO.	QTY. PER A/C
404-183601-6	85-20	1
404-183705	84-31	5
404-183707	77-18	1
404-183731	95-36	2
404-183761	75-36	1

PART NUMBER	FIG. AND IND. NO.	QTY. PER A/C
404-183777	54-69	1
404-183786	54-47	1
404-183787	77-15	3
	81-23	



PART NUMBER	FIG. AND IND. NO.	QTY PER A/C
404-183794	76- 12	2
404-183801	1- 31	1
404-183829	45- 42	2
404-183856	54- 9	2
404-183857	54- 7	1
404-183857-1	54- 8	1
404-183860	54-	1
404-183886	77- 15	3
	77- 28	
404-183887	77- 15	1
404-183889	49- 3	2
	51- 32	
404-183947	73- 70	1
404-183947-1	73- 71	1
404-183948	73- 61	1
404-183948-1	73- 61	1
404-183948-18	73- 62	1
404-183948-19	73- 62	1
404-183948-24	73- 63	2
404-183948-32	73- 68	2
404-183948-34	73- 65	2
404-183958-2	73- 55	2
404-183958-4	73- 12	2
404-183958-6	55- 60	2
404-183959	73- 24	1
404-183961	73- 67	2
404-183962	73- 14	2
404-183963	73- 15	2
404-183964	73- 16	2
404-183978	73- 17	2
404-183978-2	73- 17	2
404-183980	73- 2	1
404-183980-1	73- 2	1
404-183981	73- 1	2
404-183985	73- 71	2
404-183990	73- 79	1
404-183990-1	73- 79	1
404-184005	16- 13	1
404-184036-2	57- 33	1
404-184036-4	57- 35	1
404-184063	18- 30	1
404-184071-2	16- 12	1
404-184103	99- 19	1
404-184131	32- 45	1
404-184200	16- 13	1
404-184241-1	8- 4	1
404-184281	8- 4	1
404-184321	27- 1	1
404-184412	57- 22	1
404-184414	57- 16	2
	57- 21	
404-184415	57- 3	1
404-184416	57- 11	1
404-184417	57- 7	1
404-184419	57- 29	1
404-184455-16	16- 8	1

PART NUMBER	FIG. AND IND. NO.	QTY PER A/C
404-184455-18	21- 6	2
404-184455-2	16- 7	5
404-184455-4	21- 4	1
404-184455-18	21- 12	1
404-184458	16- 8	3
	18- 3	
404-184459	16- 8	2
	21- 5	
404-1847071	16- 12	2
404-184718	71- 9	1
404-184718-1	71- 9	1
404-184719	71- 10	1
404-184719-1	71- 10	1
404-184744	71- 36	1
404-184748	71- 40	1
404-184749	71- 42	2
404-184752	71- 29	1
404-184757	71- 16	2
404-184757-2	71- 22	2
404-184757-607	71- 16	1
404-184757-608	71- 16	1
404-184773	71- 20	2
404-184778	71- 24	2
404-184779	71- 28	1
404-18507-1	8- 5	1
404-185270	19- 16	1
404-185500	16- 1	1
404-185503	17- 30	1
404-185507	17- 21	1
404-185507-1	17- 21	1
404-185508	17- 22	2
404-185509	17- 23	2
404-185511	17- 25	1
404-185511-1	17- 25	1
404-185512	17- 26	2
404-185513	17- 26	2
404-185514	17- 26	1
404-185514-1	17- 26	1
404-185520	16- 10	1
404-185520-1	16- 10	1
404-185560	17- 50	2
404-185600	16- 2	1
404-185600-600	16- 2	1
404-185650	16- 6	1
404-185650-606	16- 6	1
404-185651	21- 1	1
404-185651-1	21- 2	1
404-185653	21- 4	1
404-185654	21- 7	2
404-185662	94- 88	1
404-185663-1	21- 13	1
404-185670	18- 15	1
404-185671	18- 16	1
404-185700	11- 20	1
404-185807	8- 5	1
404-185808	8- 5	1

Part 5  
Numerical Part List

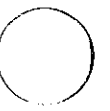
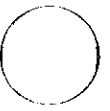
EO 05-45B-4

PART NUMBER	FIG. AND IND. NO.	QTY PER A/C
404-185808-1	8- 5	1
404-185901	1- 4	2
404-185901-9	38-24	2
404-185901-10	38-11	2
404-185901-13	38-11	2
404-185901-14	38-11	2
404-185901-17	38-12	2
404-185901-18	38-12	2
404-185901-22	38-28	2
404-185901-23	38- 2	2
404-185901-24	38- 2	2
404-185903	1- 5	2
404-185903-20	38-41	2
404-185903-21	38-42	2
404-185903-22	38-43	2
404-185901-31	38-52	2
404-185903-32	38-51	1
404-185906	38- 7	1
404-185918	36-11	18
404-185951	1-12	1
404-185951-1	1-12	1
404-185952	8-24	1
404-185952-1	8-24	1
404-185955	8- 1	1
404-185955-1	8- 2	1
404-185955-600	8- 1	1
404-185955-601	8- 2	1
404-185961	33A- 1	1
404-185961-1	33A- 2	1
404-185963	8-11	4
404-185995	33A- 4	2
404-185997	33A-10	2
404-185998	33A- 9	2
404-185999	33A- 8	2
404-186000	1-19	1
404-186050	11- 1	1
404-186050-600	11- 1	1
404-186100-1	13- 3	1
404-186110	13- 3	1
404-186111	13-21	1
404-186112	13-16	1
404-186113	13-18	1
404-186114	13-19	1
404-186117	13-15	1
404-186160	64- 1	2
404-186162	64- 3	2
404-186163	64- 3	2
404-186175	11- 6	1
404-186175-600	11- 6	1
404-187011	64-17	2
404-187011-2	64-21	2
404-187012	64- 4	1
404-187012-2	64-12	1

PART NUMBER	FIG. AND IND. NO.	QTY PER A/C
404-187012-4	64-13	1
404-187013	64- 8	1
404-187013-2	64-12	1
404-187013-4	64-13	1
404-187014	64-35	3
404-187014-2	64-43	3
404-187015	64-44	1
404-187015-8	64-48	1
404-187030	62-26	2
404-187030-2	62-29	2
404-187032	61-34	1
404-187032-10	61-40	1
404-187032-4	61-38	1
404-187032-6	61-46	1
404-187033	61-35	1
404-187033-10	61-41	1
404-187033-4	61-39	1
404-187033-6	61-47	1
404-187050-2	94-73	2
	95- 8	
404-187052	94-66	4
	95- 8	
404-187053	94-68	2
	95- 8	
404-187055	94-67	2
	95- 8	
404-187056	94-71	2
	95- 8	
404-187060	94-62	2
	95- 8	
404-187210-12	82-17	1
404-187231	64-52	1
404-187231-2	64-54	1
404-187402	30-16	4
404-187500	61- 1	1
404-187510	61-19	1
404-187510-1	61-20	1
404-187512	61-25	2
404-187519	61-30	2
404-187523	61-28	2
404-187668	54-24	1
404-187717	54-25	1
404-187718-1	65- 9	1
404-187719	65-13	1
404-187721	65-21	1
404-187722	65-24	1
404-187723	65-26	1
404-187724	65-19	1
404-187725	65-27	1
404-187726	54-27	1
404-187729	54-30	1
404-187731-4	54-34	1

PART NUMBER	FIG. AND IND. NO.	QTY. PER A/C
404-187732-12	54-29	1
404-187734	54-31	1
404-187735	54-33	1
404-187741	65-28	1
404-187750	54-26	1

PART NUMBER	FIG. AND IND. NO.	QTY. PER A/C
404-187760	65-	1
404-187770	65- 6	1
404-187803	31-25	4
404-187814	31- 1	4





PART NUMBER	FIG. AND IND. NO.	QTY PER A/C
404-187818	30-11	4
404-187818-2	30-11	4
404-187822	30-22	3
404-187822-1	30-22	1
404-187825	69- 7	1
404-187830	68- 1	1
404-187835	68- 2	1
404-187835-601	69- 0	1
404-187840	1-31	1
404-187848	30-30	8
404-187848-2	30-31	8
404-187851	30-28	1
404-187852	30-28	4
404-187853	30-28	3
404-187859	30-31	8
404-187879	22-16	1
26JU/404-187884	30-70	1
404-187887	30-32	2
404-187890	30-55	1
404-187895	30-59	1
404-187897	22-16	1
404-187898	22-15	1
404-187899	22-15	1
404-187905-4	30-53	1
404-187909	30-11	8
404-187921	30-18	1
404-187927	30-24	4
404-187927-2	30-24	4
404-187929	30- 3	4
404-187937-2	30-24	4
404-187940	1-31	1
404-187940-1	1-31	1
404-187942	30- 5	4
404-187948	30- 9	2
404-187948-1	30- 9	2
404-187949	30-19	4
404-187972	30-18	1
404-187992	30-50	1
404-187996	30-37	1
404-188001	1-30	1
404-188001-1	1-30	1
404-188005	1-31	1
404-188005-2	27-18	1
404-188005-3	27-19	1
404-188006	22-60	2
404-188006-2	22-60	2
404-188007	30-75	1
404-188008	30-78	1
404-188009	30-79	1
404-188010	30-83	1
404-188011	30-86	1

PART NUMBER	FIG. AND IND. NO.	QTY PER A/C
404-188013	30-76	1
404-188014	30-84	1
404-188015	30-77	1
404-188016	30-85	1
404-188017	30-87	1
404-188018	30-80	1
404-188019	30-88	1
404-188020	30-81	1
404-188022	22-36	1
404-188022-1	22-36	1
404-188024	22-33	2
404-188025	22-34	1
404-188025-1	22-34	1
404-188027	22- 3	2
404-188027-2	24-18	2
404-188028	24-15	2
404-188036	24-14	2
404-188150	22- 2	4
404-188400	22- 1	1
404-188400-2	23-30	2
404-188400-3	22- 1	1
404-188400-600	22- 1	1
404-188400-601	22- 1	1
404-188400-609L	23-36	1
404-188400-609R	23-36	1
404-188401-602	23-11	1
404-188401-603	23-11	1
404-188402	23-11	1
404-188402-1	23-11	1
404-188402-10	23-16	4
404-188402-12	23-11	1
404-188402-13	23-11	1
404-188402-2	23-13	2
404-188402-4	23-14	2
404-188402-8	23-16	4
404-188406	23-26	2
404-188412	23- 1	2
404-188412-2	23- 9	4
404-188413	23- 2	4
404-188414	23- 7	4
404-188415	23-17	2
404-188417	23-27	2
404-188422	25-23	2
404-188424	25-19	2
404-188424	25-19	2
404-188425	25-18	2
404-188427	25-16	2
404-188432	23- 8	2
404-188433	23-28	2
404-188438	23-23	2
404-188442	23-16	4

Part 5  
Numerical Part List

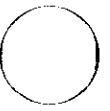
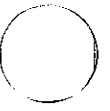
EO 05-45B-4

PART NUMBER	FIG. AND IND. NO.	QTY PER A/C
404-188443	25-22	2
404-188444	22- 6	2
404-188455	23-21	2
404-188456	23-20	2
404-188462	23-15	4
404-188464-4	22-54	2

PART NUMBER	FIG. AND IND. NO.	QTY PER A/C
404-188464-8	22-54	2
404-188468	22-67	1
404-188468-1	22-67	1
404-188470	32-12	1
404-188470-4	32-12	1

PART NUMBER	FIG. AND IND. No.	QTY PER A/C
414-188474-5	22- 51	2
404-188481	22- 26	2
404-188482	22- 19	1
404-188483	22- 8	1
404-188483-1	22- 8	1
404-188484	22- 13	4
404-188506	27- 49	2
404-188507	27- 48	2
404-188540	22- 69	2
404-188556	22- 43	2
404-188556L	23- 35	1
404-188556R	23- 35	1
404-188557L	23- 34	1
404-188557R	23- 34	1
404-188558L	23- 38	1
404-188558R	23- 38	1
404-188559	23- 37	2
404-188569	22- 53	2
404-188612	34-	
404-188618	34- 6	1
404-188619	34- 10	1
404-188635	32- 13	1
404-188635-610	32- 13	1
404-188638	32- 37	2
404-188639	32- 36	1
404-188655	33- 39	1
404-188655-5	33- 42	2
404-188655-10	33- 41	1
404-188656	33- 3	1
404-188657	33- 4	1
404-188658	32- 19	1
404-188659	32- 16	2
404-188663	33- 6	1
404-188665	33- 8	1
404-188668	33- 1	1
404-188668-2	33- 1	1
404-188668-6	32- 43	1
404-188669	33- 18	1
404-188675	32- 23	1
404-188677	32- 39	1
404-188678	32- 14	1
404-188680	32- 22	1
404-188683	32- 30	1
404-188687	32- 25	1
404-188694	32- 40	2
404-188696	32- 1	1
404-188698	32- 26	1
404-188699	32- 35	1
404-188910	27- 62	1
404-188913	27- 63	1
404-188950	27- 26	1
404-188951	27- 38	1

PART NUMBER	FIG. AND IND= NO.	QTY PER A/C
404-188957	27- 35	1
404-188958	27- 36	1
404-188959	29- 21	1
404-189008	45- 7	2
404-189009	45- 8	2
404-189055-702	54- 67	1
404-189058	1- 31	1
404-189059	55- 61	1
404-189059-1	55- 61	1
404-189063	55- 82	1
404-189063-1	55- 82	1
404-189064	55- 63	2
404-189074	45- 20	8
404-189086	45- 17	1
404-189096	43- 36	4
404-189102	36- 9	6
404-189214-12L	7- 42	1
404-189214-12R	7- 42	1
404-189260-2	54- 42	1
404-189260-30	54- 36	1
404-189260-32	54- 37	1
404-189260-4	54- 38	1
404-189396	72- 26	2
404-189398	72- 31	2
404-189399	72- 28	2
404-189500-1	10- 7	1
404-189500-12	10- 16	2
404-189500-13	10- 17	2
404-189500-2	10- 18	2
	10- 18	
404-189500-23	10- 18	1
404-189500-3	10- 18	1
404-189534	55- 37	1
404-189534-1	55- 37	1
404-189535	55- 78	2
404-189597	52- 16	2
404-189598	79- 61	1
404-189603	57- 32	1
404-189611-2	57- 30	1
404-189611-8	57- 31	1
404-189612	57- 1	1
404-189613	57- 2	1
404-189614	57- 8	1
404-189615	57- 10	1
404-189616	57- 4	1
404-189617	57- 9	1
404-189620	1- 31	1
404-189653	58- 71	2
404-189657	58- 77	1
404-189660	58- 75	1
404-189662	58- 73	2
404-189666	58- 75	1



PART NUMBER	FIG. AND IND. NO.	QTY PER A/C
404-189722-4	57- 20	1
404-189722-6	57- 20	1
404-189731	58- 27	2
404-189731-2	58- 29	2
404-189744	59- 7	1
404-189747	58- 78	1
404-189748	58- 77	1
404-189752	59- 7	1
404-189758	58- 45	1
404-189759	58- 43	1
404-189759-2	58- 44	1
404-189776	58- 48	2
404-189783	58- 3	1
404-189787	58- 3	1
404-189790	48- 14	1
404-189791	59- 2	1
404-189791-1	59- 2	1
404-189791-2	59- 3	2
404-189792	59- 4	2
404-189793	50- 2	1
404-189794	50- 3	1
404-189797	50- 1	1
404-189798	50- 2	1
404-189799	50- 3	1
404-189800-1L	60- 9	1
404-189800-1R	60- 9	1
404-189800L	1- 31	1
404-189800R	1- 31	1
404-189803	48- 16	3
	51- 31	
404-189804	60- 5	2
404-189807	59- 20	2
404-189808	60- 2	2
404-189830	57- 13	1
404-189831	57- 14	1
404-189832	57- 15	1
404-189833	57- 25	1
404-189834	57- 28	1
404-189835	57- 27	1
404045	69- 11	2
406807	68- 62	1
407-180015	105- 7	3
407-180027	105- 25	1
407-183155	72- 4	1
407-183157	72- 2	1
407-183159	72- 10	1
407-183162	72- 12	1
407-183210	99- 16	1
407-183228	72- 23	1
407-183853	54- 2	1
407-183854	54- 3	1
407-183878	77- 17	1
407-183959	73- 77	4
	74- 31	
407-184737	91- 35	1
407-186000	1- 19	1

PART NUMBER	FIG. AND IND. NO.	QTY PER A/C
407-186000-12	11- 5	12
407-186000-2	11- 22	1
407-186000-4	11- 14	1
407-186000-5	11- 15	1
407-186050	11- 1	1
407-186050-15L	12- 69	1
407-186050-15R	12- 69	1
407-186050-21L	12- 70	1
407-186050-21R	12- 70	1
407-186050-600	11- 1	1
407-186060	12- 50	1
407-186082	12- 68	2
	65- 62	
407-186083-1	12- 50	1
407-186268	12- 68	1
407-186350	11- 11	1
407-186350-1	11- 12	1
407-186350-600	11- 11	1
407-186350-605	11- 12	1
407-187106	63- 13	1
407-187106-2	63- 17	1
407-187106-6	63- 15	2
407-187106-8	63- 16	1
407-187689	12- 52	1
407-187695	12- 51	1
407-187732-4	65- 33	1
407-187803	65- 14	1
407-187803-2	65- 3	2
	65- 16	
407-187990	1- 31	1
407-189063	55- 77	2
407-189072	45- 21	1
407-189072-1	45- 21	1
407-189604	58- 50	1
407-189606-2	56- 55	2
407-189606-4	56- 32	2
407-189637	58- 32	1
407-189638	58- 34	1
407-189639	58- 34	1
407-189657	79- 48	1
407-189670	48- 1	1
407-189671	48- 26	1
407-189679	58- 21	1
407-189681	58- 20	1
407-189682	58- 18	1
407-189683	58- 15	1
407-189684	58- 15	1
407-189685	58- 18	1
407-189686	58- 51	1
407-189687	58- 14	1
407-189688	58- 12	1
407-189689	58- 17	1
407-189691	50- 4	1
407-189692	50- 5	1
407-189693	50- 6	1
407-189695	50- 9	1

Part 5  
Numerical Part List

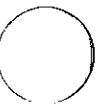
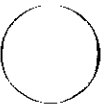
EO 05-45B-4

PART NUMBER	FIG. AND IND. NO.	QTY PER A/C
407-189697	50- 4	1
407-189698	50- 5	1
407-189699	50- 6	1
407-189704	52- 4	4
407-189705	52-12	1
407-189706	52- 6	1
407-189706-1	52- 6	1
407-189709	52-14	1
407-189710	52- 1	2
407-189725	50- 8	1
407-189726	50- 9	1
407-189728	58-12	1
407-189729	58-14	1
407-189730	58-17	1
407-189731	58-51	1
407-189732	58-52	1
407-189733	58-52	1
407-189747	58-55	1
407-189753	48- 2	1
407-189860-10	7-88	1
407-189860-11	7-88	1
407-189860-15	7-79	1
407-189860-16	7-79	1
407-189860-20	7-80	1
407-189860-21	7-80	1
407-189860L	7-75	1
407-189860R	7-75	1
407-189862	7-82	1
407-189862-1	7-82	1
407-189863	7-76	1
407-189863-1	7-76	1
407-189865	7-84	2
41A9177	94-25	3
	95- 7	
	99-39	
414-180555-605	83-15	1
414-180555-606	83-15	1
414-186050-47	12-37	1
414-188474-5	22-51	2
414-188696	32- 1	
414-189095-1	43-38	4
414-189095-5	43-38	2
414-189095-7	43-37	2
416184-601	83- 1	1
416184-602	83- 1	1
416184-603	86-24	1
416184-604	86-24	1
42A11521	71-44	2
42A13995	71-44	2
42A6504	94-19	1
42B3748	86- 6	1

PART NUMBER	FIG. AND IND. NO.	QTY PER A/C
4200-A1	30-38	2
4201	30-40	2
4203	30-43	2
4206	30-41	2
4207	30-42	2
4208	30-46	2
42088	27-66	1
42867	22-62	4
4300	86-41	2
437-180430	1-31	1
437-180433	81-12	1
437-180434	81-11	1
437-180435	81- 5	1
437-183552	73-18	2
440-9	82-16	6
450250-3-3	85-30	1
457	102-21	1
4576-36-10	5-12	5
	13-12	
	15-15	
4584-11-10	12- 3	1
4584-11-20	5-14	1
4584-11-60	12- 2	1
46A1135-524	36-23	108
	39-22	
467023	97-19	1
4707-2-10	12-66	2
4707-3-10	12-66	1
4707-4-10	3-32	1
4718-1-3	5-13	12
47428-H1	93-33	1
47498-H3	93-32	1
47569-1	39A- 3	2
47570-1	39A- 1	2
48132	92- 9	1
48152	92- 9	1
48164	89-13	1
49D7079	97-12	
5CB	86-52	2
5CB/734	46-34	1
5MBA10200	1-31	2
	1-31	
5MBA13045	1-31	1
5MBA13497	1-31	2
	1-31	
5MBA13558	102- 1	2
	102- 8	
5MBA13559	102-12	1
5MBA13560	1-31	1
5MBA13561	99-35	1
5MBA13564	1-31	1

PART NUMBER	FIG. AND IND. NO.	QTY PER A/C
5MBA13566	1-31	1
5MBA6670	90- 5	1
5MBA6670-1	90- 5	1
5MBA6670-2	90- 6	1
5MBA6670-3	90- 6	1
5MBA6766	1-31	1
5MBA6767	1-31	1
5U/1970	91-59	1
5U/5057	46-27	1

PART NUMBER	FIG. AND IND. NO.	QTY PER A/C
50-524124	54-21	1
50-524128	105-29	1
51A-66	98- 8	2
5100	84-20	2
	103-12	
51067	89-13	1
510779-23	25- 8	4
	25-13	





PART NUMBER	FIG. AND IND. NO.	QTY PER A/C
511810	26- 14	6
511811	26- 13	6
511812-A	26- 12	6
511820-7	26- 8	6
511846-4	26- 16	6
	26- 23	6
511921M	26- 10	6
512054	26- 20	2
51280-2	86- 45	1
51738	45- 35	8
52-028-125-0625	73- 32	1
52749	53- 51	4
530884G	25- 2	2
530886SG	25- 24	2
54H19651	97- 11	1
54-189216	36- 26	1
54267	45- 41	2
5444	93- 28	3
54844C	53- 51	2
558	79- 65	1
558-1-A/M	44- 3	2
558-2-A/M	44- 3	2
56109	45- 35	8
56329	53- 51	4
58L18	26- 25	6
Deleted		
6C28V	84- 28	3
6K4	99- 38	2
6K75	91- 38	2
601-6	18- 33	22
	95- 45	
60153	53- 50	4
60344	27- 68	1
604-183320	98- 5	2
604-187050	95- 8	1
6046H39A	86- 26	1
6051	93- 39	1
6053	93- 38	1
6054	93- 40	1
6082	61- 45	4
60867	22- 65	2
63500	72- 34	2
63921	45- 5	2
6411B	94- 93	14
	95- 1	
	101- 9	
64118	99- 15	4
644-180001	1-	
644-180002	1-	
644-180003	1-	
644-180020	1-	
644-180037	1- 31	1
	103- 13	1
	105- 33	
644-180043	92- 15	1
644-180045	105- 2	1
644-180046	86- 23	2
	86- 23	

PART NUMBER	FIG. AND IND. NO.	QTY PER A/C
644-180081	20- 1	1
644-180082	94- 83	1
644-180172	105- 12	1
644-180173	105- 21	1
644-180403	94- 95	2
644-180419	95- 35	2
	94- 86	
644-180420	94- 74	1
644-180421	94- 86	2
	95- 35	
644-180435	81- 7	2
644-180440	94- 42	1
644-180441	94- 43	1
644-180442	94- 44	1
644-180443	94- 47	1
644-180444	94- 45	1
644-180445	94- 46	1
644-180446	94- 48	1
644-180510	86- 18	1
644-180510-1	86- 18	1
644-180520	86- 18	1
644-180520-1	86- 18	1
644-180522	86- 19	1
644-180522-1	86- 19	1
644-180530	1- 31	1
644-180531	1- 31	1
644-180540	1- 31	1
644-180545	85- 53	1
644-180546	85- 54	1
644-180547	85- 55	1
644-180550	86- 14	1
644-180550-1	86- 14	1
644-180555	1- 31	1
644-180555-1	1- 31	1
644-180590	1- 31	1
644-180599	83- 9	2
644-180600	1- 31	1
644-180611-COA23123	93- 54	6
644-180632	94- 18	2
	95- 7	
644-180635	94- 6	1
644-180635-6	97- 6	2
644-180635-8	97- 3	2
644-180636	97- 1	2
644-180638	97- 4	2
644-180640	1- 31	1
644-180641	94- 81	1
644-180641-1	94- 81	1
644-180642	94- 78	3
	95- 30	
644-180643	95- 31	1
644-180644	1- 31	1
644-180645	1- 31	1
644-180649	92- 13	1
644-180659-1	83- 11	1
644-180659-3	83- 11	1

Part 5  
Numerical Part List

EO 05-45B-4

PART NUMBER	FIG. AND IND. NO.	QTY PER A/C
644-180660	91- 63	1
644-180663	1- 31	1
644-180664	93- 38	9
	93- 39	
	93- 40	
644-180666	1- 31	1
644-180668	92- 4	1
644-180669	92- 3	1
644-180670	1- 31	1
644-180671	91-	1
644-180671-10	91- 28	1
644-180671-12	91- 18	1
644-180671-8	91- 3	1
644-180672	91- 16	1
644-180673	1- 31	1
644-180675	93- 12	1
644-180675-2	93- 15	2
644-180675-6	93- 14	2
644-180678	92- 1	1
644-180680	93- 19	1
644-180682-2	93- 54	1
644-180685	93- 55	1
644-180686	91- 9	1
644-180690	91- 68	1
644-180696	92- 20	2
644-180707	83- 10	2
644-180709	93- 26	1
644-180711	1- 31	1
644-180717	91- 49	1
644-180717-602	91- 49	1
644-180754-1	84- 1	1
644-180754-2	84- 1	1
644-180755A4	84- 2	2
644-180793	92- 15	1
644-180810	94- 17	1
644-180810-4	103- 52	2
644-180811	103- 46	1
644-180811-1	103- 47	1
644-180812	103- 35	1
644-180813	103- 39	1
644-180814	103- 40	1
644-180817	75- 23	1
644-180821	91- 37	1
644-180827	75- 8	1
644-181020	79-	1
644-181020-1	79-	1
644-181021-12	79- 1	1
644-181021-16	79- 2	1
644-181021-4	79- 4	2
644-181021-8	79- 6	2
644-181100	1- 11	1
644-181105	7- 6	1
644-181105-1	7- 6	1
644-181106	7- 1	1
644-181106-1	7- 1	1
644-183000	1- 31	1

PART NUMBER	FIG. AND IND. NO.	QTY PER A/C
644-183000-14	99- 8	1
644-183000-20	99- 9	1
644-183003	1- 31	1
644-183010	1- 31	1
644-183103	101- 24	1
644-183105	101- 24	1
DELETED		
644-183160	94- 38	1
644-183161	94- 40	1
644-183165	94- 41	1
644-183180	1- 31	1
644-183200	94- 11	1
644-183275	94- 28	1
644-183281	94- 81	2
644-183282	94- 80	1
644-183282-1	94- 80	1
644-183284	94- 81	1
644-183285	94- 81	1
644-183298	94- 79	1
644-183298-6	94- 81	1
644-183298-8	94- 81	1
644-183300	94- 13	1
644-183301	94- 14	1
644-183302	94- 5	2
644-183311	101- 1	1
644-183314	101- 1	1
644-183377-1	94- 1	2
	94- 4	
644-183377-2	94- 2	2
644-183377-3	94- 3	1
644-183377-4	94- 4	1
644-183377-5	94- 1	2
	94- 2	
	94- 3	
	94- 4	
	94- 1	1
	94- 2	2
	94- 3	1
	94- 4	1
	94- 1	2
	94- 2	
	94- 3	
	94- 4	
644-183391	94- 49	1
644-183393	94- 50	1
644-183426	94- 94	2
644-183461	94- 7	1
644-183461-12	97- 15	2
644-183461-2	97- 17	2
644-183461-3	97- 18	2
644-183600	94- 15	1
644-183601	94- 16	1
644-183601-2	103- 22	1
644-183602	103- 17	1
644-183603	103- 25	1
644-183607	103- 14	1

PART NUMBER	FIG. AND IND. NO.	QTY PER A/C
644-183607-1	103- 15	1
644-183609	103- 1	1
644-183780-12	51- 17	1
644-183780-16	51- 3	1
644-183780-20	51- 2	1
644-183780-24	51- 18	1
644-183780-4	51- 14	1
644-183780-8	51- 13	1
644-183800	1- 31	1
644-183800-2	75- 34	1
644-183800-4	75- 34	1
644-183802-3	75- 34	1
644-183802-5	75- 34	1
644-183804	1- 31	1
644-183817	1- 31	1
644-183818	1- 31	1
644-183856	75- 1	2
644-183863	54- 68	1
644-183864	54- 46	1
644-183865	54- 61	1
644-183879	77- 15	1
644-183879-2	77- 16	1
644-183888	77- 28	1
644-183890	1- 31	1
644-183891	77-	1
644-183891-2	77- 1	1
644-183893	77- 28	1
644-183894	77- 15	1
644-183949	1- 31	1
644-183950	1- 31	1
644-183951	73- 39	1
644-183952	73- 33	1
644-183953	73- 35	1
644-183954	73- 29	1
644-183955	73- 30	1
644-183956	73- 31	1
644-183957	73- 36	1
644-183958	73- 34	1
644-183959	73- 37	1
644-183960	73- 32	1
644-183960-2	73- 32	1
644-183962	73- 31	3
644-183970	73- 28	1
644-184000	1- 24	1
644-184001	1- 24	1
644-184002	1- 24	1
644-184005	16- 13	1
644-184441	101- 30	1
644-184450	16- 8	1
644-184720	1- 31	1
644-184721-12	71- 33	1
644-184721-16	71- 31	1
644-184721-20	71- 2	1
644-184721-24	71- 6	1
644-184721-40	71- 30	1
644-184721-44	71- 4	1

PART NUMBER	FIG. AND IND. NO.	QTY PER A/C
644-184721-48	71- 35	1
644-184730	1- 31	1
644-184789	20- 6	1
644-184790	16- 5	1
644-184790-12	20- 7	1
644-184790-20	20- 1	1
644-184790-22	20- 9	1
644-184790-4	20- 2	1
644-184790-6	20- 3	1
644-184790-620	20-	1
644-184793	20- 16	1
644-184794	20- 15	1
644-184795	20- 10	1
644-184796	20- 14	2
644-184797	20- 13	1
644-184799	20- 12	3
644-187000	1- 29	1
644-187050	94- 63	1
644-187111	65- 48	1
644-187111-10	65- 51	1
644-187111-14	65- 49	2
644-187111-2	65- 49	1
644-187111-6	65- 50	1
644-187911	31- 8	4
644-187944	30- 7	4
644-188484	22- 13	2
644-188660	1- 31	1
644-189000	1- 1	1
644-189010	1- 31	1
644-189012-21	45- 25	2
644-189012-25	45- 25	2
644-189012-9	46- 10	2
644-189013	45- 23	2
644-189014	60- 4	2
644-189017-1	60- 1	1
644-189017-2	60- 1	1
644-189017-601	60- 1	1
644-189017-602	60- 1	1
644-189055	1- 31	1
644-189056	54- 87	2
644-189057-10	54- 88	2
644-189057-8	54- 90	2
644-189087	45- 17	1
644-189300	1- 13	1
644-189300-1	1- 13	1
644-189350	1- 31	1
644-189400	7-	1
644-189400-1	7-	1
644-189410	86- 25	1
644-189410-1	86- 25	1
644-189502	9-	1
644-189502-1	9- 1	1
644-189600	1- 31	1
644-189603	58- 50	1
644-189604	56- 48	1
644-189604-1	56- 48	1

Part 5  
Numerical Part List

EO 05-45B-4

PART NUMBER	FIG. AND IND. NO.	QTY PER A/C
644-189605	56- 25	1
644-189605-1	56- 25	1
644-189610	1- 31	1
644-189610-1	1- 31	1
644-189613-10	53- 47	1
644-189613-11	53- 47	1
644-189615	53- 45	2
644-189627-4	56- 67	2
644-189627-6	56- 44	2
644-189630	57- 11	1
644-189646	53-	1
644-189647-10	53- 24	1
644-189647-14	53- 19	1
644-189647-18	53- 13	1
644-189647-2	53- 12	1
644-189647-22	53- 17	1
644-189647-26	53- 15	1
644-189647-6	53- 23	1
644-189648-10	53- 34	1
644-189648-14	53- 27	1
644-189648-18	53- 29	1
644-189648-22	53- 31	1
644-189648-30	53- 38	1
644-189648-34	53- 33	1
644-189648-6	53- 36	1
644-189656	53- 48	2
644-189657	53- 50	4
644-189680	1- 31	1
644-189690	1- 31	1
644-189691-10	79- 81	1
644-189691-14	79- 82	1
644-189691-18	79- 73	1
644-189691-2	79- 79	1
644-189691-22	79- 74	1
644-189691-26	79- 75	1
644-189691-30	79- 76	1
644-189691-34	79- 77	1
644-189691-38	79- 69	1
644-189691-42	79- 70	1
644-189691-46	79- 71	1
644-189691-50	79- 72	1
644-189691-54	79- 50	1
644-189691-58	79-103	1
644-189691-6	79- 80	1
644-189691-62	79-105	1
644-189691-66	79-107	1
644-189692-10	79- 87	1
644-189692-14	79- 88	1
644-189692-18	79- 89	1
644-189692-2	79-110	1
644-189692-22	79- 90	1
644-189692-26	79- 53	1
644-189692-30	79-101	1
644-189692-34	79- 98	1
644-189692-38	79- 93	1
644-189692-42	79- 94	1

PART NUMBER	FIG. AND IND. NO.	QTY PER A/C
644-189692-46	79- 95	1
644-189692-50	79- 92	1
644-189692-54	79- 10	1
644-189692-58	79- 14	1
644-189692-6	79-109	1
644-189692-62	79- 20	1
644-189692-66	79- 16	1
644-189693-10	79- 38	1
644-189693-14	79- 40	1
644-189693-18	79- 44	1
644-189693-2	79- 21	1
644-189693-22	79- 45	1
644-189693-26	79- 47	1
644-189693-30	79- 31	1
644-189693-34	79- 27	1
644-189693-38	79- 35	1
644-189693-42	79- 33	1
644-189693-46	79- 29	1
644-189693-50	79- 25	1
644-189693-54	79- 63	1
644-189693-6	79- 8	2
644-189694	79- 22	1
644-189696	79- 86	2
644-189710	1- 31	1
644-189712	50- 7	1
644-189713	50- 7	1
644-189720	1- 31	1
644-189720-1	1- 31	1
644-189730	1- 31	2
	56- 47	
644-189730-1	1- 31	2
	56- 47	
644-189740	1- 31	1
644-189740-1	1- 31	1
644-189747	59- 53	2
644-189748	59- 42	1
644-189749	59- 42	1
644-189750	1- 31	1
644-189751	58- 78	1
644-189752	58- 70	2
644-189754	58- 80	4
644-189770	1- 31	1
644-189772	48- 7	1
644-189773	48- 7	1
644-189775	1- 31	1
644-189775-1	1- 31	1
644-189780	1- 31	1
644-189780-1	1- 31	1
644-189781	50- 12	1
644-189893	37- 18	1
644181100-1	1- 11	1
6488	93- 37	3
650-1795	85- 66	1
652832	85- 36	1
6533A-21S	36- 36	2
6533A-22S	1- 3	6
	36- 36	

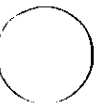
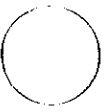
PART NUMBER	FIG. AND IND. NO.	QTY PER A/C	PART NUMBER	FIG. AND IND. NO.	QTY PER A/C
6533A21S	1- 3	8	694-187813	31-15	4
	1- 3		694-187814	31-20	4
6536	93-28	3	694-187815	31- 9	4
653895	85-32	1	694-187837	68-57	1
653897-4B	75- 6	1	694-187898	22-15	1
6550	93-38	3	694-187899	22-15	1
	93-39		694-188006-1	24- 1	2
	93-40		694-188660-2	33-15	1
656767	82-15	1	694-188660-4	33-17	2
664256	85-32	1	694-188660-6	33-16	2
664543	82-13	1	694-188668	33- 1	1
DELETED			694-188668-2	33- 1	1
674733	85-43	1	694-188668-6	32-43	1
6749	93-21	2	694-189015	37- 3	2
	93-36		694-189061-10	54-89	2
6800-A	86-47	2	694-189063-10	54-91	2
6906	37-26	4	694-189082	54-94	1
	43-21		694-189095	43-33	4
694-180022	34-18	1	694-189095-600	43-33	2
694-180113	31- 2	4	694-189702-6	58-57	2
694-180191	23-26	1	694-189711	56-89	8
694-180612	91-36	1	694-189807	31-19	4
694-180613	91-36	1	7B/732	95-34	1
694-180671-10	91-26	2	70352	53-48	2
694-180672	91-26	1	704-189747	59-39	2
694-180673	91-25	1	704-189757	59-12	2
694-180674	91-26	1	7079	93-34	1
694-180684	92-20	1	7104	93-51	1
694-181108	56-72	2	71441	53-50	4
694-181109	56-75	2	7276	99-23	2
694-183857	54-95	1	73-2909	55-33	10
694-186040-1	12-54	1		55-45	
694-186040-2	12-55	1	734-183253	94- 9	2
694-186095	12-67	1		95-12	
694-186095-1	12-67	1	734-183253-1	94- 9	2
694-186350-601	11- 1			95-12	
	15		734-183256-16	94-10	2
694-186350-602	11-12			95-13	
	15		734-183256-17	94-10	2
694-187002	66-13	1		95-13	
694-187232	64-52	1	734-183296	98-30	2
694-187732	65-12	1	734-183297	94- 8	2
694-187800	30-25	4		95- 2	
694-187801	31- 4	4	734-183297-1	94- 9	2
694-187801-1	31-14	4		95- 3	
694-187801-3	31-12	4	734-183297-12	98-21	2
694-187802	31-11	4	734-183297-16	98-20	2
694-187803	31- 5	4	734-183297-18	98-28	4
694-187804	31- 4	4	734-183297-2	98- 6	2
694-187806	31- 6	4	734-183298	95-18	1
694-187808	31- 1	4	734-183298-18	95-19	1
694-187811	31-13	4	734-183298-20	95-20	1

PART NUMBER	FIG. AND IND. NO	QTY PER A/C
734-183298-40	95-25	1
734-183298-42	95-23	1
734-183298-48	95-18	1
734-183298-50	95-18	1
734-183298-8	95-22	1
734-183302-30	97- 9	2
734-183314	97-13	2

PART NUMBER	FIG. AND IND. NO.	QTY PER A/C
734-183315	97-14	2
734-183804-4	75-34	
734-183834	76- 1	1
734-183834-10	76- 9	4
734-183834-4	76- 5	1
734-183834-6	76- 6	4
734-183834-8	76- 7	4

PART NUMBER	FIG. AND IND. NO.	QTY PER A/C
734-183862-18	54- 15	1
734-183862-19	54- 16	1
734-183863-1	54- 70	1
734-183864	54- 55	2
	54- 76	
734-183865	54- 52	2
734-183866	54- 73	1
734-183868	94- 97	3
734-183871	54- 62	1
734-183872	54- 67	1
734-183873	54- 60	1
734-183874	54- 64	1
734-184321	27- 1	1
734-184342	98- 36	4
734-187069	61- 32	2
734-188008	24- 9	2
734-188010	24- 12	2
734-188011	24- 13	4
734-188012	24- 16	2
734-188022	24- 19	4
734-188620	34- 13	1
734-188622	34- 7	1
734-188623	34- 9	1
734-189681	79- 56	1
734-189682	79- 57	1
734-189685	79- 59	1
734-189686	79- 85	1
74	38- 1	6
	38- 58	
74-183942	73- 25	2
	74- 64	
74-183943	73- 26	8
	74- 65	
74-189020L	1- 31	1
74-189020R	1- 31	1
74-189023	47- 21	2
74-189026-1	47- 17	1
74-189026-2	47- 17	1
74-189027	47- 22	2
74-189032	47- 24	2
74-189032-1	47- 27	2
742-D6C	46- 25	1
7470	18- 20	1
7535A	27- 47	1
755-12	37- 13	7
	37- 14	
	37- 20	
755-14	37- 20	1
755-16	37- 13	1
755-18	37- 14	2
756-21	37- 7	2
774-185919	37- 8	2
774-189506	9- 27	4
782-02	71- 18	2
784-180675	91- 46	1
784-184740	71- 25	2

PART NUMBER	FIG. AND IND. NO.	QTY PER A/C
794-189657	53- 32	2
	53- 37	
7955	93- 41	3
796-36	74- 7	2
796-36R	74- 7	2
DELETED	53- 21	1
8T113	86- 50	2
804-180459	91- 15	1
804-180533	90- 15	2
804-180997-600	84- 10	1
804-181162	56- 81	2
804-181163	56- 78	2
804-182526	86- 41	1
804-182626	69- 1	1
804-183138	100- 12	1
804-183139	100- 14	1
804-183301-2	98- 23	4
804-183315	98- 4	2
804-183318	98- 10	2
804-183322	98- 13	2
804-183385	94- 61	2
804-183387	94- 58	1
804-183388	94- 57	1
804-183392	94- 52	1
804-183392-1	94- 53	1
804-183393	94- 59	2
804-183394-1	94- 51	1
121B45-1	100- 13	1
804-183926	85- 15	1
804-184732-2	71- 14	2
804-184732-4	71- 12	2
804-184734	71- 13	2
804-185512	17- 26	1
804-185512-1	17- 26	1
804-185560	17- 50	2
804-185940L	36- 27	1
804-185940R	36- 27	1
804-185941	36- 28	12
804-185943	36- 28	24
804-185952-2	8- 25	1
804-185952-3	8- 25	1
804-185952-4	8- 26	1
804-185952-5	8- 26	1
804-185954-1	8- 1	1
804-185954-600	8- 2	1
804-185954-601	8- 1	1
804-185958-1LH	8- 3	1
804-185958-1RH	8- 3	1
804-185958-2LH	8- 4	1
804-185958-2RH	8- 4	1
804-185962	8- 23	4
804-185964	8- 19	8
804-187501	66- 2	1
804-187502	66- 3	1
804-187504	61- 14	1
804-187504-1	61- 16	1





PART NUMBER	FIG. AND IND. NO.	QTY PER A/C
804-187505	61- 17	2
804-187506	61- 18	2
804-188005-2	27- 18	1
804-188005-3	27- 19	1
804-188007	27- 24	1
804-188015	27- 17	1
804-188017	27- 23	1
804-188500	27- 46	1
804-188500-10	27- 51	1
804-188500-3	27- 50	10
804-188500-4	27- 53	2
804-188500-6	27- 54	2
804-188500-640	27- 46	1
804-188500-650	27- 46	1
804-188500-8	27- 52	1
804-188502	27- 75	1
804-188503	27- 75	1
804-188504	27- 75	1
804-188519	27- 20	1
804-188522	28- 12	1
804-188523	28- 11	1
804-188534	86- 33	3
	86- 39	
804-188535	86- 34	3
	86- 39	
804-188540	22- 68	2
804-188563	22- 75	2
804-188571	86- 37	1
804-188573	22- 72	2
804-188650	33- 19	1
804-188650-2	33- 27	1
804-188651	33- 25	1
804-188652	33- 27	1
804-189061	43- 29	2
804-189062	43- 31	4
804-189131	36- 32	2
804-189139	43- 28	2
804-189140	43- 26	4
804-189409	87- 5	4
804-189501	10- 11	4
804-189502	9- 3	2
804-189503	9- 7	2
804-189504	9- 11	2
81A16758	7- 46	6
	7- 70	
	12- 57	
814-180043	86- 44	1
814-180537	100- 45	1
814-180592	86- 42	1
814-180597	86- 46	1
814-180623	91- 61	1
814-180674	91- 60	1
814-180756	84- 4	2
814-180783	83- 20	1
814-180939	3- 35	1
814-180939-1	4- 31	1

PART NUMBER	FIG. AND IND. NO.	QTY PER A/C
814-183125	100- 40	2
814-183955	73- 81	8
	74- 9	
814-183956	73- 40	2
	74- 3	
814-183956-1	73- 40	2
	74- 3	
814-183957	73- 23	2
	74- 33	
814-183957-1	73- 23	2
	74- 34	
814-183958	74- 48	2
814-183960	73- 77	4
	74- 32	
814-183966	74- 38	2
814-184020	16- 9	1
814-184020-1	16- 9	1
814-184022	16- 9	1
814-184022-1	16- 9	1
814-185630	18- 5	1
814-185630-2	18- 11	1
814-185634	18- 8	1
814-185635	18- 7	1
814-185636	18- 14	1
814-185639	18- 6	1
814-185640	18- 15	1
814-185642	18- 11	1
814-187281	66- 11	1
814-187282	66- 5	1
814-187282-2	66- 8	1
814-187283	66- 12	1
814-187354	62- 22	1
814-187354-1	62- 22	1
824-180451	91- 8	1
824-180682	91- 62	1
824-181115	7- 71	2
824-181116	7- 72	2
824-181117	7- 74	2
824-183100	95- 6	1
824-183301	104- 3	5
824-183316	104- 11	5
824-183317	104- 12	5
824-184000	1- 24	1
824-187051	94- 72	2
	95- 8	
824-187510-12	61- 23	2
824-187510-26	61- 20	1
824-187510-27	61- 20	1
824-188895	29- 1	1
824-188895-2	29- 3	AR
824-188895-4	29- 4	AR
824-188896	29- 5	1
824-188904	29- 7	1
8280K15	93- 20	15
84-180579	94- 96	6
84-180625	91- 61	1

Part 5  
Numerical Part List

EO 05-45B-4

PART NUMBER	FIG. AND IND. NO.	QTY PER A/C
84-180690	104- 9	10
84-180723	85- 2	1
84-180723-1	85- 3	1
84-180750	84- 23	3
84-180750-1	84- 25	3
84-180750-2	84- 24	3
84-181107	7- 2	1
84-181107-1	7- 2	1
84-181120	7- 8	2
84-183123	101- 13	1
84-183124	101- 12	1
84-183128	94- 37	2
84-183130	94- 36	1
84-183276	94- 30	4
84-183277	94- 31	4
84-183278	94- 35	1
84-183279	94- 33	2
84-183365	104- 4	5
84-183520	94- 75	1
84-183982	74- 56	1
84-183996	74- 1	1
84-184118	101- 33	1
84-185880	36- 16	2
84-185881	36- 17	1
84-185882	36- 18	1
84-185883	36- 19	1
84-185884	36- 19	1
84-185885	36- 18	1
84-185886	36- 17	1
84-185896	38- 65	6
84-185899	36- 20	2
84-185902	38- 23	2
84-185910-1	1- 8	1
84-185910-2	1- 8	1
84-185910-28	38- 63	2
84-185910-50	38- 61	2
84-185917	37- 10	2
84-185920	37- 10	2
84-187018	65- 38	1
84-187018-1	65- 38	1
84-187019	65- 43	1
84-187023	65- 34	1
84-187035	64- 15	12
84-187063	62- 35	1
84-187064	62- 33	1
84-188590	27- 47	1
84-188900	27- 47	1
84-188900-3	27- 47	1
84-189114	40- 4	2
84-189115	40- 7	1
84-189323	58- 56	2
84-189570	79- 68	1
84-189571	79- 68	1
84-189598	79- 23	2
	79- 96	
84-189677	79- 24	3

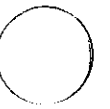
PART NUMBER	FIG. AND IND. NO.	QTY PER A/C
84-189693	79- 86	2
	53- 27	
	53- 29	
84-189742	59- 46	1
84-189743	59- 42	1
84-189744	59- 7	1
84-189749	59- 46	1
84-189752	59- 7	1
840409	72- 20	1
8530-3L	17- 35	1
870883	95- 14	
884-181116	7- 73	2
894-180757	84- 3	2
894-183819	54- 50	1
894-183981	73- 77	2
	74- 30	
894-183981-1	73- 77	2
	74- 30	
894-187758	68- 29	1
894-187759	68- 30	1
894-187760	68- 31	1
894-187760-2L	70- 12	2
894-187761	68- 32	1
894-187761-2R	70- 12	2
894-187767	70- 10	2
894-187820	68- 49	1
894-187820-1	68- 50	1
894-188465	22- 54	2
894-188466	22- 5	2
894-188478	22- 57	4
894-189665	58- 72	2
894-189666	58- 76	1
894-189667	58- 76	1
894-189783	48- 3	1
894-189785	48- 10	1
894-189786	48- 11	1
894-189787	48- 22	1
894-189792	48- 23	1
894-189793	48- 24	1
894-189795	48- 25	1
900-183878	77- 2	1
900-189757	59- 12	2
901-180805	91- 11	1
901-180806	91- 13	1
901-184778	71- 8	1
908810	72- 14	1
91C-8122618	65- 11	1
919164	72- 14	1
919475	72- 14	1
922315	72- 22	1
93	94- 97	6
933585	72- 16	1
933586	72- 18	1
94-183108	102- 20	1
94-189682	79- 66	1
94-189682-605	79- 66	1
94-189741	59- 26	2

Part 5  
Numerical Part List

EO 05-45B-4

PART NUMBER	FIG. AND IND. NO.	QTY PER A/C
94-189742	59-32	2
94-189850	59-37	1
94-189850-1	59-37	1
94-32215	86-47	2
95-3352	31-21	4
95-4771	25- 4	48
9510894	26- 3	6
9510895	26- 7	6
9511157	26-18	2
9520136	25- 7	4
	25-12	
9520218	25- 4	24
9520647G	25- 3	2
9520648G	25- 9	2
9521603	26- 4	6
9521604	26- 2	12
9521608	25-15	24
9522159	26-26	6
9522164	26-27	6
9530992	25-14	2
9530993	26- 1	2
9540666	26-24	2

PART NUMBER	FIG. AND IND. NO.	QTY PER A/C







06-1  
16-317764  
over

EO 05-45B-4A

ROYAL CANADIAN AIR FORCE



PART LIST

EXPEDITOR  
3TM (SPECIAL)

ISSUED ON AUTHORITY OF THE CHIEF OF THE AIR STAFF

17 JUL 64

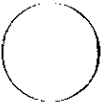
# LIST OF RCAF REVISIONS

**DATE**

**PAGE NO**

**DATE**

**PAGE NO**



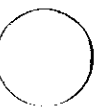


## TABLE OF CONTENTS

PART	TITLE	PAGE
1	INTRODUCTION GENERAL	1 1
2	GROUP ASSEMBLY PART LIST	3

## LIST OF ILLUSTRATIONS

FIGURE	TITLE	PAGE
2-1	Radio Equipment Installation	4
2-2	Radio Equipment Installation	9
2-3	Floating Panel Assembly	11
2-4	Decals and Placards Installation	14
2-5	Lavatory and Rear Radio Compartment Installation	17



**PART 1****INTRODUCTION****GENERAL**

1 This Part List addendum is applicable to Royal Canadian Air Force Expeditor Aircraft serial numbers 1521, 1527, 1533, 1566.

2 These four aircraft have been modified to incorporate the following systems:

(a) AN/ARC-552 UHF system.

(b) Bendix VHF system.

(c) Bendix VOR/ILS system.

(d) Marker beacon receiver installation.

(e) AN/ARN-6 radio compass installation.

(f) Interphone system.

3 For systems not shown in this Part List addendum refer to RCAF EO 05-45B-4.



**PART 2**

**GROUP ASSEMBLY PART LIST**

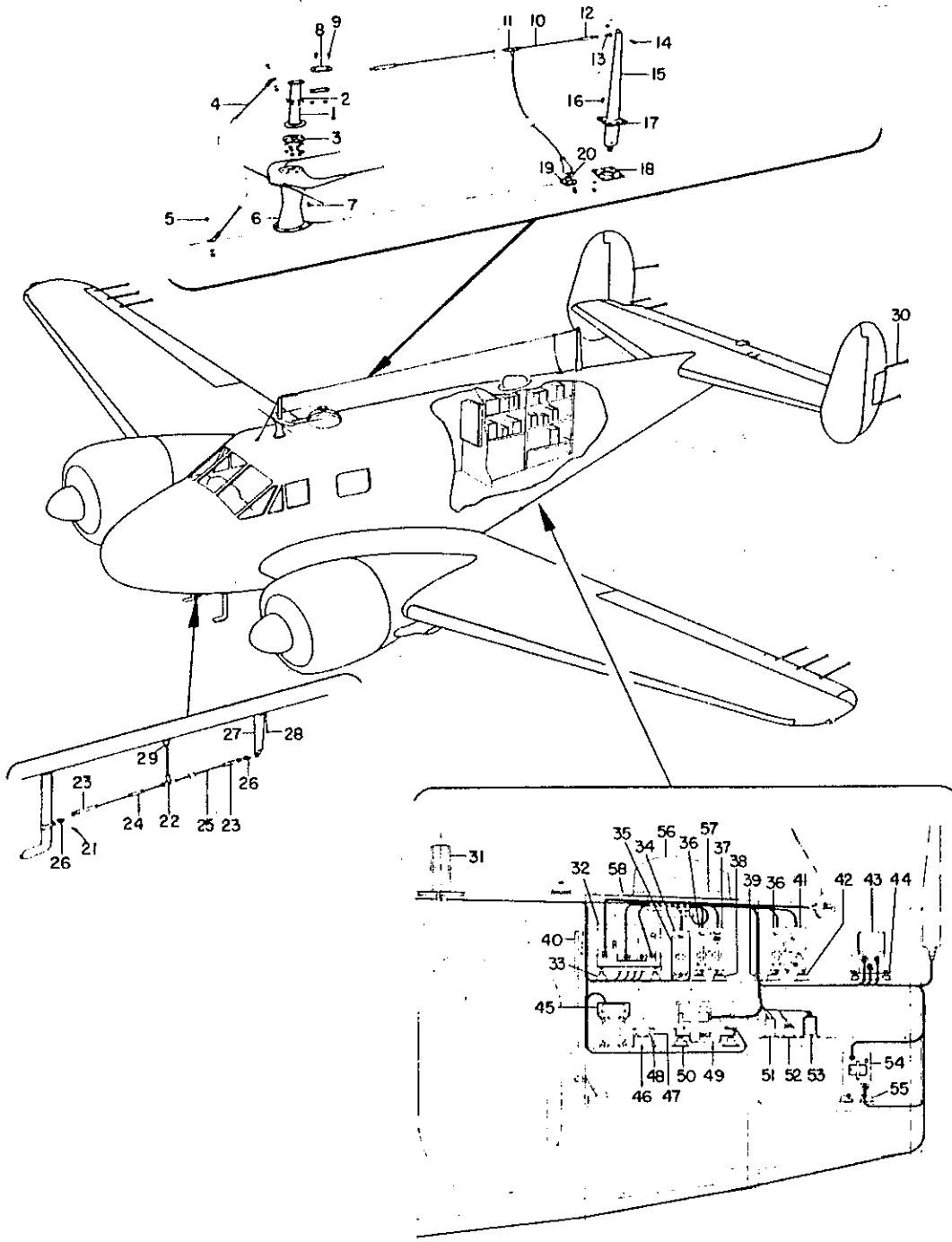


Figure 2-1 Radio Equipment Installation

Figure and Index Number	Group FURNISHINGS							Units per Assy	Usage on Code		
	Major Assembly RADIO EQUIPMENT INSTALLATION										
	Part	1	2	3	4	5	6			7	Nomenclature
2-1-	644-180671								Equipment Installation - Antenna		
-1	901-180805								Mast Assembly		
									OR		
	3MBA6943								Mast Assembly	1	
									ATTACHING PARTS:		
-2	AN505-8028								Screw - Fillister head no. 8-32 x 1-3/4 in.	6	
	AN960-8L								Washer - Plain no. 8	6	
	AN364-832								Nut - Self-locking no. 8-32	6	
-3	901-180806								Gasket - Mast mounting	1	
-4	111513-024003								Cable Assembly - Antenna support	1	
									ATTACHING PARTS:		
-5	AN515-8-8								Screw - Round head no. 8-32 x 1/2 in.	2	
	AN960-8								Washer - Plain no. 8	2	
	AN365-832								Nut - Self-locking no. 8-32	2	
	180806P								Anchor - Antenna brace	1	
	804-180459								Seal	1	
									ATTACHING PARTS:		
	AN526-832-9								Screw - Truss head no. 8-32 x 8/16 in.	2	
	AN960-8								Washer - Plain no. 8	2	
	AN365-832								Nut - Self-locking no. 8-32	2	
-6	AS-27A/ARN5								Mast Assembly		
									OR		
	AS-27/ARN5								Mast Assembly	1	
	644-180672								Gasket		
									ATTACHING PARTS:		
-7	AN526-1032-8								Screw - Truss head no. 10-32 x 1/2 in.	6	
	AN960-10								Washer - Plain no. 10	6	
	AN365-1032								Nut - Self-locking no. 10-32	6	
-8	644-180686								Clamp	2	
									ATTACHING PARTS:		
	AN23-13A								Bolt - Clevis no. 10-32 x 27/32 in.	2	
	AN960-10								Washer - Plain no. 10	2	
	AN364-1032								Nut - Self-locking no. 10-32	2	
	102809-250-013								Pin	1	
-9	AN23-13A								Bolt - Clevis no. 10-32 x 27/32 in.	2	
	AN960-10								Washer - Plain no. 10	2	
-10	644-180671-12								Antenna Assembly - ADF sense	1	
-11	TS-100								Tee - Splice	1	
	SI-100								Tee - Splice	1	
-12	TUI-100								Unit Tension	1	
	TU-100								Unit Tension	1	
	WS-5B/U								Wire Antenna	1	
-13	AN115-21								Shackle	1	
									ATTACHING PARTS:		
-14	AN23-14A								Bolt - Clevis no. 10-32 x 29/32 in.	1	
	AN364-1032								Nut - Self-locking No. 10-32	1	
-15	AN104-B								Mast - VHF Antenna	1	
									ATTACHING PARTS:		

Figure and Index Number	Group FURNISHINGS							Units per Assy	Usage on Code		
	Major Assembly RADIO EQUIPMENT INSTALLATION (Cont'd)										
	Part	1	2	3	4	5	6 7			Nomenclature	
2-1-16	AN526-632-10							Screw - Truss head no. 6-32 x 5/8 in.	8		
	AN960-6							Washer - Plain no. 6	8		
	AN365-632							Nut - Self-locking no. 6-32	8		
-17	694-180673							Plate - AN104-B antenna mast	1		
-18	694-180672							Gasket - AN104-B antenna mast	1		
	694-180671-10							Shim - AN104-B antenna mast	2		
	694-180674							Clamp - mast assembly	1		
	IMBA-6658							Bushing	1		
	ATTACHING PARTS										
	AN526-832-36							Screw - Truss head no. 8-32 x 2-1/4 in.	2		
	AN960-8							Washer - Plain no. 8	4		
	AN365-832							Nut - Self-locking no. 8-32	2		
	AN526-632-12							Screw - Truss head no. 6-32 x 3/4 in.	4		
	AN526-632-16							Screw - Truss head no. 6-32 x 1 in.	4		
	AN960-6							Washer - Plain no. 6	32		
	AN365-632							Nut - Self-locking no. 6-32	8		
-19	LI-100							Insulator - Antenna lead-in	1		
	ATTACHING PARTS										
-20	AN515-6-12							Screw - Round head no. 6-32 x 3/4 in.	6		
	AN960-6							Washer - Plain no. 6	6		
	AN365-632							Nut - Self-locking no. 6-32	6		
	644-180671-10							Antenna Assembly - Marker beacon	1		
	ATTACHING PARTS										
-21	AN23-8A							Bolt - Clevis no. 10-32 x 17/32 in.	2		
	AN364-1032							Nut - Self locking no. 10-32	2		
-22	TS-100							Tee - Splice	1		
	SI-100							Tee - Splice	1		
-23	TUI-100							Unit - Tension	2		
	TU-100							Unit - Tension	2		
-24	SI-100							Insulator - Strain	1		
-25	WS-5B/U							Wire - Marker beacon	1		
-26	AN115-16							Shackle	2		
-27	404-184737							Mast Assembly - Marker beacon	1		
	ATTACHING PARTS										
-28	AN526-832R7							Screw - Truss head no. 8-32 x 7/16 in.	3		
	AN526-832R8							Screw - Truss head no. 8-32 x 1/2 in.	1		
	694-180612							Channel Assembly - Antenna mast re- inforcement upper	1		
	694-180613							Bracket Assembly - Attaching antenna mast	1		
-29	TM-201							Insulator - Antenna lead-in	1		
	644-180821							Wick Installation - Static discharge	1		
-30	SD-3 or AN/ ASA-3							Wick - Static discharge	12		
	ATTACHING PARTS										
	AN526-632-6							Screw - Truss head no. 6-32 x 3/8 in.	2		
	6K75							Rivnut - (GD)	2		
	C63F49230							AT/256 ARC Antenna Mast Inst.			
-31	AT/256							Antenna Mast	1		
	ATTACHING PARTS										



Figure and Index Number	Group FURNISHINGS							Units per Assy	Usage on Code		
	Major Assembly		RADIO EQUIPMENT INSTALLATION (Cont'd)								
	Part	1	2	3	4	5	6			7	Nomenclature
2-1-	AN509-10R15								Screw - CSK head no. 10-32 x 15/16 in. lg.	8	
	C63F49204								Radio Equipment Installation		
-32	R-101A/ARN-6								Radio Compass Unit	1	
-33	MT-273/ARN-6								Mount	1	
	MT-274/ARN-6								Mount	1	
	ATTACHING PARTS										
	AN515-8R8								Screw	16	
	AN960-8L								Washer	16	
	MS20365-832								Nut	16	
-34	GSA-8A								Receiver Glide Slope	1	
-35	MTA-8A								Mount	1	
	ATTACHING PARTS										
	AN520-10R8								Screw	4	
	AN960-10L								Washer	4	
	MS20365-1032								Nut	4	
-36	RA-21A								Receiver VHF	1	
-37	NVA-21A								Navigation Unit	1	
-38	MTA-21C								Mount	1	
	ATTACHING PARTS										
	AN520-10R8								Screw	16	
	AN960-10L								Washer	16	
	MS20365-1032								Nut	16	
-39	CU5038/ARC								Directional Coupling	1	
	552										
	ATTACHING PARTS										
	AN520-10R8								Screw	4	
	AN960-10L								Washer	4	
	MS20365-1032								Nut	4	
-40	52479-502								Bpx Assembly - Junction	1	
-41	TA-21A								Transmitter VHF	1	
-42	MTA-21D								Mount	1	
	ATTACHING PARTS										
	AN520-10R8								Screw	16	
	AN960-10L								Washer	16	
	MS20365-1032								Nut	16	
-43	A-5002/ARP								Isolation Amplifier	1	
-44	FT-231-A								Mount	1	
	ATTACHING PARTS										
	AN520-10R8								Screw	8	
	AN960-10L								Washer	8	
	MS20365-1032								Nut	8	
-45	F20-4								Inverter	1	
	ATTACHING PARTS										
	AN520-10R8								Screw	4	
	AN960-10L								Washer	4	
	MS20365-1032								Nut	4	
-46	PE-86								Dynamotor	1	
	ATTACHING PARTS										

Figure and Index Number	Group FURNISHINGS						Units per Assy	Usage on Code		
	Major Assembly RADIO EQUIPMENT INSTALLATION (Cont'd)									
	Part	1	2	3	4	5 6 7			Nomenclature	
2-1-	AN515-8R8	.	.	.	.	.	Screw	4		
	AN960-86	.	.	.	.	.	Washer	4		
	MS20365-832	.	.	.	.	.	Nut	4		
-47	BC-347	.	.	.	.	.	Interphone Amplifier	1		
-48	FT-486	.	.	.	.	.	Mount	1		
	ATTACHING PARTS									
	AN515-8R8	.	.	.	.	.	Screw	4		
	AN960-8L	.	.	.	.	.	Washer	4		
	MS20365-832	.	.	.	.	.	Nut	4		
-49	RT5011/	.	.	.	.	.	Receiver/Transmitter	1		
	ARC552	.	.	.	.	.	Mount	1		
-50	MT1477/	.	.	.	.	.	Channel	2		
	ARC552	.	.	.	.	.	Mount	1		
	C6349206-1	.	.	.	.	.	Channel	2		
	ATTACHING PARTS									
	AN520-10R8	.	.	.	.	.	Screw	16		
	AN960-10L	.	.	.	.	.	Washer	16		
	MS20365-1032	.	.	.	.	.	Nut	16		
-51	23018	.	.	.	.	.	Transformer	1		
	ATTACHING PARTS									
	AN515-8R8	.	.	.	.	.	Screw	4		
	AN960-8L	.	.	.	.	.	Washer	4		
	MS20365-832	.	.	.	.	.	Nut	4		
-52	237EAU	.	.	.	.	.	Relay	1		
	ATTACHING PARTS									
	AN515-8R8	.	.	.	.	.	Screw	4		
	AN960-8L	.	.	.	.	.	Washer	4		
	MS20365-832	.	.	.	.	.	Nut	4		
-53	34999	.	.	.	.	.	Transformer	1		
	ATTACHING PARTS									
	AN515-8R8	.	.	.	.	.	Screw	4		
	AN960-8L	.	.	.	.	.	Washer	4		
	MS20365-832	.	.	.	.	.	Nut	4		
-54	MN53B	.	.	.	.	.	Receiver	1		
-55	MR-64A	.	.	.	.	.	Mount	1		
	ATTACHING PARTS									
	AN520-10R8	.	.	.	.	.	Screw	16		
	AN960-10L	.	.	.	.	.	Washer	16		
	MS20365-1032	.	.	.	.	.	Nut	16		
	52483-1	.	.	.	.	.	AS313 Loop Installation			
-56	AS313	.	.	.	.	.	Loop	1		
-57	52482-1	.	.	.	.	.	Bracket - Mounting	1		
-58	46347-1	.	.	.	.	.	Gasket	1		
	ATTACHING PARTS									
	AN526-1032R12	.	.	.	.	.	Screw	7		
	AN960-10L	.	.	.	.	.	Washer	7		
	MS20365-1032	.	.	.	.	.	Nut	7		

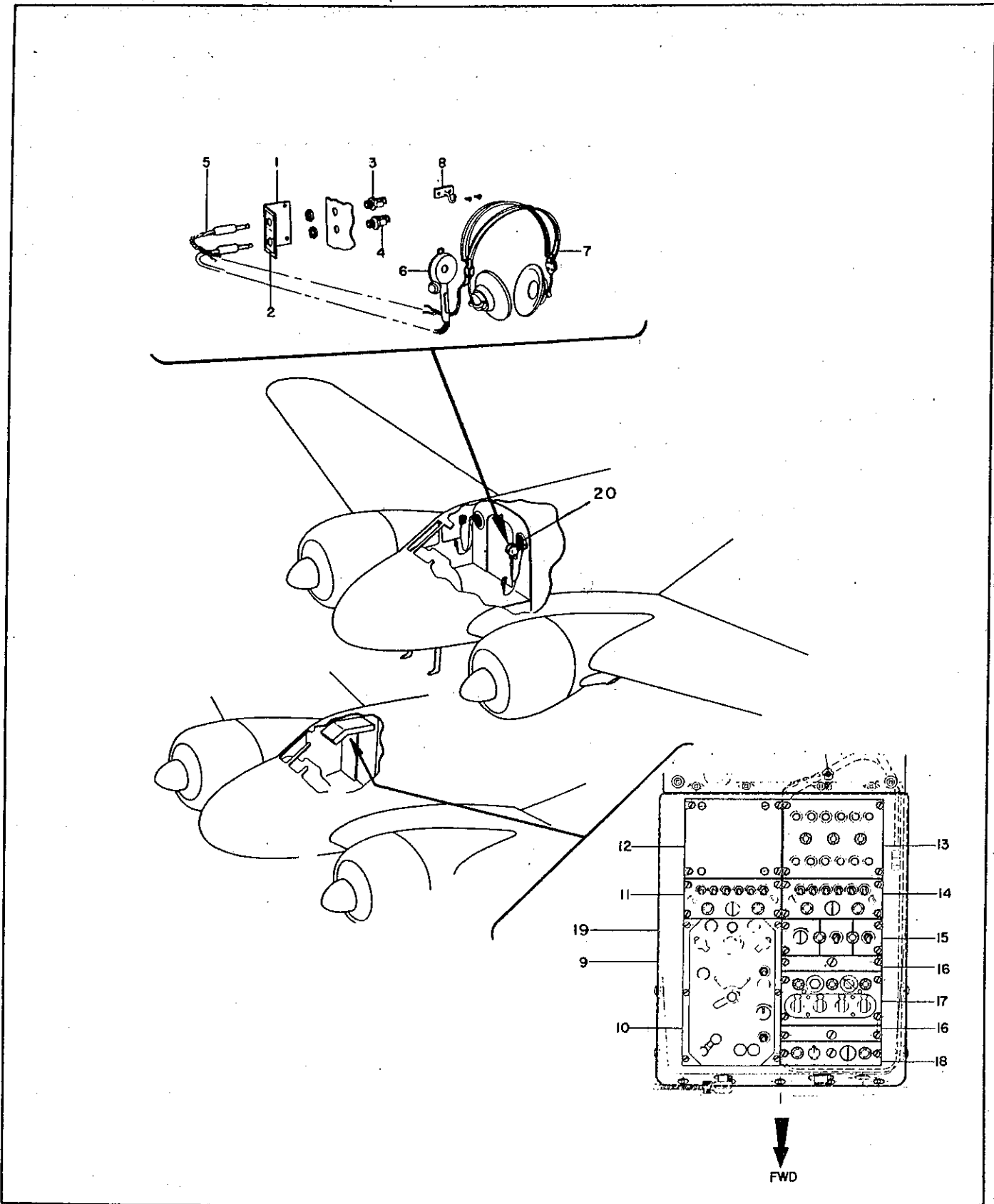


Figure 2-2 Radio Equipment Installation

Figure and Index Number	Group FURNISHINGS							Units per Assy	Usage on Code		
	Major Assembly RADIO EQUIPMENT INSTALLATION										
	Part	1	2	3	4	5	6			7	Nomenclature
2-2-1	404-180738								Bracket - Mounting LH	1	
	404-180738-1								Bracket - Mounting RH	1	
	ATTACHING PARTS										
	AN526-632-7								Screw - Truss head no. 6-32 x 7/16 in. per bracket	3	
	AN960-6								Washer - Plain no. 6	3	
	AN365-632								Nut - Self-locking no. 6-32	3	
-2	404-180129								Placard - Headset and microphone jackbox LH	1	
	404-180134								Placard - Headset and microphone jackbox RH	1	
-3	JK-34								Jack - Headset	2	
-4	JK-33								Jack Microphone	2	
-5	202841-360								Connector - Headset	2	
-6	T-17								Microphone - Hand	2	
-7	HS-33								Headset - Radio	2	
-8	180634U								Holder - Hand microphone and headset	2	
	ATTACHING PARTS										
	AN526-632-6								Screw - Truss head no. 6-32 x 3/8 in.	4	
	AN960-6								Washer - Plain no. 6	4	
	AN365-632								Nut - Self-locking no. 6-32	4	
-9	C63F49203								Radio Console Installation	Ref	
-10	46339-1								Control Panel - ARN6	1	
-11	46349-502								Control Assembly - Audio, pilot	1	
-12	46354-1								Panel Assembly - Mic relay	1	
-13	46353-501								Panel Assembly - Circuit breaker	1	
-14	46349-503								Control Assembly - Audio, co-pilot	1	
-15	46346-1								Control Assembly - Intercom	1	
-16	C63B49202-1								Plate - Blanking	2	
-17	C5064-1/ ARC552								Control - UHF	1	
-18	C63049199-1								Control Assembly - Marker	1	
-19	52484-501								Frame Assembly - Radio console	1	
-20	26984-1								Cover Blanking	2	

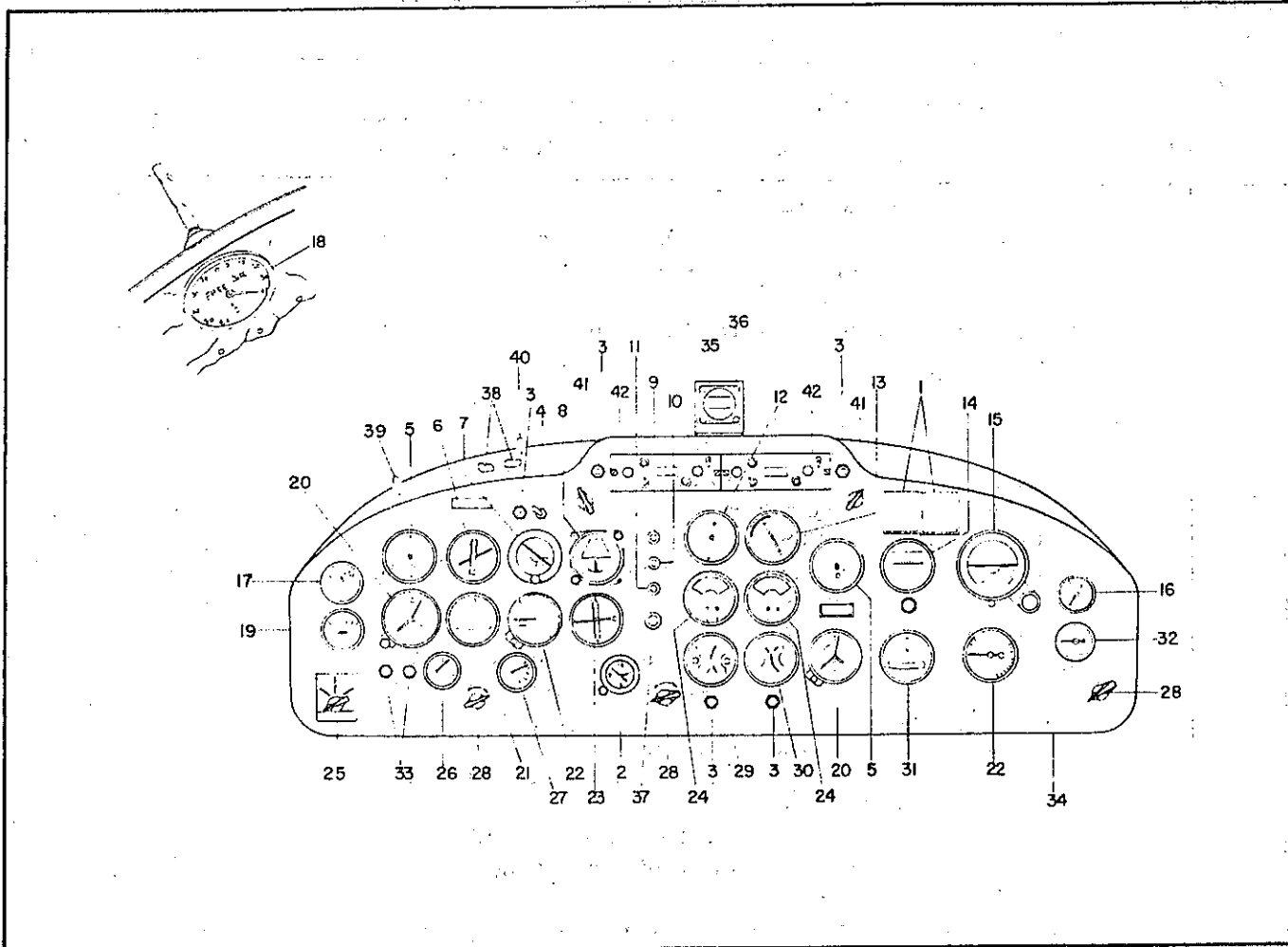


Figure 2-3 Floating Panel Assembly

Figure and Index Number	Group FURNISHINGS		Units per Assy	Usage on Code
	Major Assembly FLOATING PANEL ASSEMBLY			
	Part	1 2 3 4 5 6 7 Nomenclature		
2-3-	C63D49209-1	Panel Assembly - Floating	Ref	
-1	644-183856	Holder Compass Card	2	
-2	AN5743-2	Clock - 8 day type All	1	
	ATTACHING PARTS:			
	NAS387-6-14	Screw - Oval head no. 6-32 x 7/8 in.	2	
-3	VM-400-2	Lamp Assembly - (MARI)	5	
-4	AN3021-2	Switch	1	
-5	1426-12D	Indicator - Airspeed (Ref. RCAF 6A/1168)	2	
	ATTACHING PARTS:			
	NAS387-6-14	Screw - Oval head no. 6-32 x 7/8 in.	8	
-6	653897-4B	Indicator - Electrical master gyrosyn	1	
	ATTACHING PARTS:			
	NAS387-6-14	Screw - Oval head no. 6-32 x 7/8 in.	3	
-7	654744	Indicator - Electrical gyro horizon (type H5) (Sperry)	1	

Figure and Index Number	Group FURNISHINGS							Units per Assy	Usage on Code	
	Major Assembly FLOATING PANEL ASSEMBLY									
	Part	1	2	3	4	5	6			7
2-3-	ATTACHING PARTS . . .									
-8	NAS387-6-14							Screw - Oval head no. 6-32 x 7/8 in.	4	
	MN97HA4							Course Indicator	1	
	ATTACHING PARTS . . .									
	AN515-B8R14							Screw - Oval head no. 8-32 x 7/8 in.	2	
	AN960-D8							Washer	2	
	MS20365-D832							Nut	2	
-9	A120196-1							Jewel and Holder	1	
-10	A120196-3							Jewel and Holder	1	
-11	A120196-4							Jewel and Holder	1	
-12	AN5530-2A							Tachometer - Engine speed	1	
	ATTACHING PARTS . . .									
-13	NAS387-6-14							Screw - Oval head no. 6-32 x 7/8 in.	4	
	AN5770-2							Gauge - Manifold pressure	1	
	ATTACHING PARTS . . .									
-14	NAS387-6-14							Screw - Oval head no. 6-32 x 7/8 in.	4	
	AN5735-2							Indicator - Directional gyro type A-5	1	
	ATTACHING PARTS . . .									
-15	NAS387-10-14							Screw - Oval head no. 10-32 x 7/8 in.	4	
	AN5736-2							Indicator - Artificial horizon type C7	1	
	ATTACHING PARTS . . .									
-16	NAS387-10-14							Screw - Oval head no. 10-32 x 7/8 in.	3	
	AN5771-58							Gauge - Suction direct acting	1	
	ATTACHING PARTS . . .									
-17	NAS387-6-14							Screw - Oval head no. 6-32 x 7/8 in.	4	
	AN5790-6							Thermometer - Free air	1	
	ATTACHING PARTS . . .									
-18	NAS387-6-14							Screw - Oval head no. 6-32 x 7/8 in.	4	
	C13A							Thermometer - Direct acting	1	
	ATTACHING PARTS . . .									
-19	EM20205							Spacer	1	
	EA102							Gauge - Fuel content (LI)	1	
	ATTACHING PARTS . . .									
-20	NAS387-6-14							Screw - Oval head no. 6-32 x 7/8 in.	4	
	AN5760-3A							(Mod) Altimeter	2	
	ATTACHING PARTS . . .									
-21	NAS387-6-14							Screw - Oval head no. 6-32 x 7/8 in.	6	
	AN5819-3							Indicator - Turn and slip, type C-1	1	
	ATTACHING PARTS . . .									
-22	NAS387-6-14							Screw - Oval head no. 6-32 x 7/8 in.	4	
	AN5825-P6							Indicator - Rate of climb	2	
	ATTACHING PARTS . . .									
-23	NAS387-6-14							Screw - Oval head no. 6-32 x 7/8 in.	6	
	MN72(G)							Radio Indicator	1	
	ATTACHING PARTS . . .									
-24	AN507-B832R14							Screw - CSK head no. 8-32 x 7/8 in.	4	
	AN5773-1							Gauge - Unit engine	2	
	ATTACHING PARTS . . .									



Figure and Index Number	Group FURNISHINGS							Units per Assy	Usage on Code	
	Major Assembly FLOATING PANEL ASSEMBLY (Cont'd)									
	Part	1	2	3	4	5	6			7
2-3-	NAS387-6-14	.	.	.	.	.	.	Screw - Oval head no. 6-32 x 7/8 in.	8	
-25	1316L	.	.	.	.	.	.	Switch - Rotary - full gauge (MAL)	1	
-26	C106336	.	.	.	.	.	.	Indicator - Position elevator tab (SW)	1	
	106464	.	.	.	.	.	.	Resistor - (SW)	1	
-27	106335	.	.	.	.	.	.	Indicator - Flap position (SW)	1	
	106464	.	.	.	.	.	.	Resistor - (SW)	1	
-28	A-2334-A	.	.	.	.	.	.	Rheostat - Fluorescent (GMC)	3	
-29	AN16C-1	.	.	.	.	.	.	Thermometer - Cylinder head temperature (Ref)	1	
	ATTACHING PARTS									
	NAS387-6-14	.	.	.	.	.	.	Screw - Oval head no. 6-32 x 7/8 in.	4	
-30	AN5795-6	.	.	.	.	.	.	Thermometer - Carburettor air temperature	1	
	ATTACHING PARTS									
	NAS387-6-14	.	.	.	.	.	.	Screw - Oval head no. 6-32 x 7/8 in.	4	
-31	AN5820-1	.	.	.	.	.	.	Indicator - Turn and slip, type A11	1	
	ATTACHING PARTS									
	NAS387-6-14	.	.	.	.	.	.	Screw - Oval head no. 6-32 x 7/8 in.	4	
-32	AN5771-3A	.	.	.	.	.	.	Gauge - De-icer pressure	1	
	ATTACHING PARTS									
	NAS387-6-14	.	.	.	.	.	.	Screw - Oval head no. 6-32 x 7/8 in.	4	
-33	AN3157-6	.	.	.	.	.	.	Light Assembly	2	
-34	52470	.	.	.	.	.	.	Panel Assembly - Floating	1	
	46328	.	.	.	.	.	.	Panel - Floating	1	
	734-183804-4	.	.	.	.	.	.	Hinge	1	
-35	AN5766-4/C	.	.	.	.	.	.	Compass - Magnetic, B21	1	
-36	52459-1	.	.	.	.	.	.	Bracket Assembly - Magnetic compass	1	
-37	C8101	.	.	.	.	.	.	Switch - Push button (Heatherington)	1	
	IMBA13356	.	.	.	.	.	.	Placard - Under carriage warning horn silencer	1	
	IMBA13294	.	.	.	.	.	.	Placard - Anti-icer control	1	
-38	54267	.	.	.	.	.	.	Switch - Feathering (HS) (see Figure 45)	Ref	
	34822-1	.	.	.	.	.	.	Guard - Propeller feathering button (see Figure 45)	Ref	
-39	AN3021-2	.	.	.	.	.	.	Switch - Summer-Winter feathering dilution (see Figure 45)	Ref	
-40	AN3160-5	.	.	.	.	.	.	Circuit Breaker Switch (see Figure 45)	Ref	
-41	3143J	.	.	.	.	.	.	Switch - Rotary	2	
	366-1	.	.	.	.	.	.	Knob	2	
-42	CNA-21CN	.	.	.	.	.	.	Control	2	

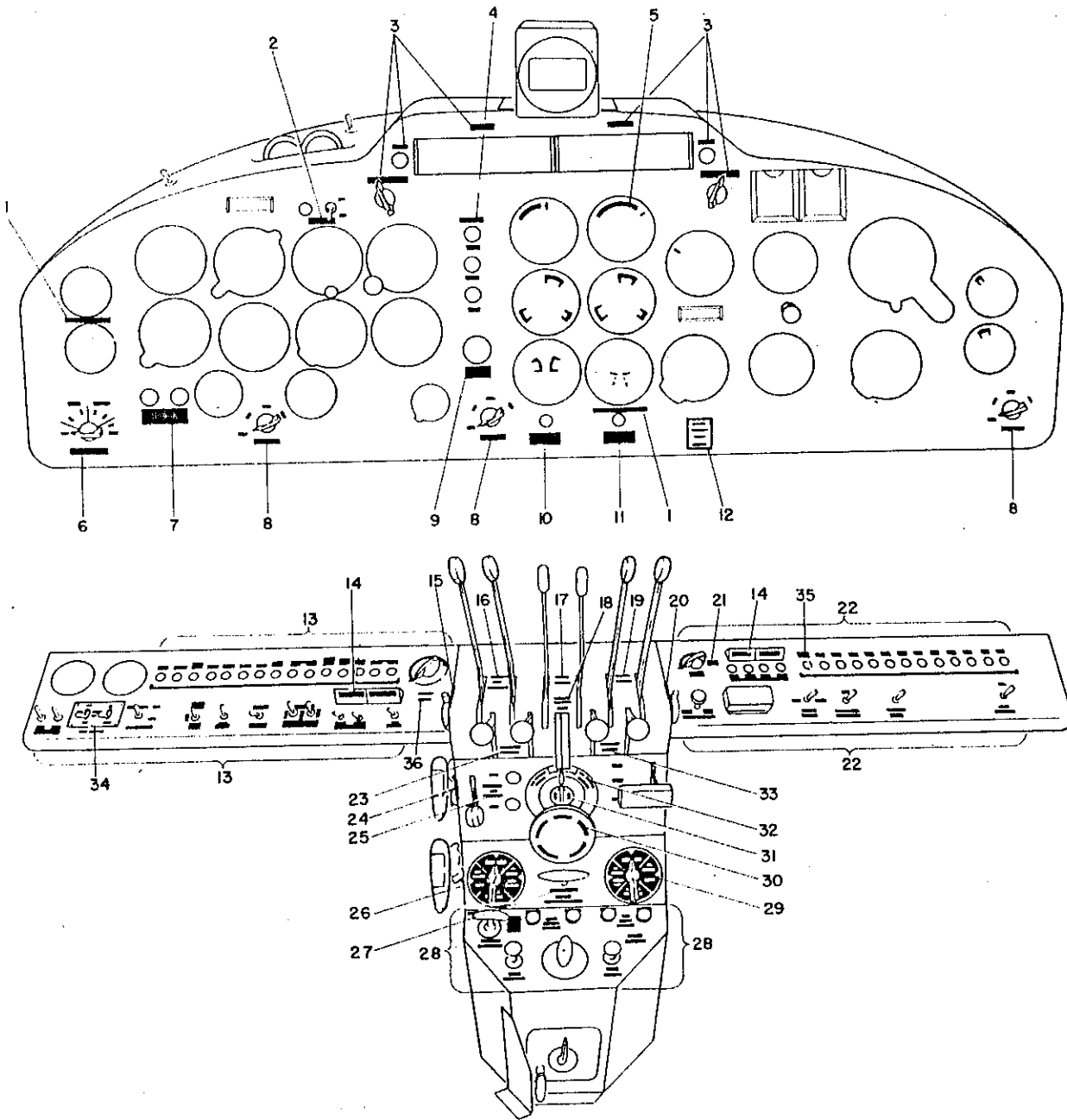


Figure 2-4 Decals and Placards Installation



Figure and Index Number	Group FURNISHINGS							Units per Assy	Usage on Code	
	Major Assembly DECAL AND PLACARD INSTALLATION									
	Part	1	2	3	4	5	6			7
2-4-1	No Number	Type 1	-	Free air and carburettor air (Spec. 17012)					2	
-2	644-180045	Gyro Horizon	Erection Unit						1	
-3	C63F49208	VHF - VOR/ILS	Fuel Warning - Interphone						1	
-4	404-180066	Marker Beacon							3	
-5	4MBA6827	Instrument	Markings						1	
-6	644-180063	Fuel Gauge	Selector - Imperial gallons						1	
-7	No Number	Fire Detector	(EO 05-45B-6A/51)						1	
-8	407-180015	Instrument	Lighting						3	
-9	IMBA13356	Undercarriage	Warning Horn						1	
-10	13315-1	Generator	Warning Port						1	
-11	13315-2	Generator	Warning Starboard						1	
-12	IMBA13294	Anti-Icer	Control						1	
-13	644-180172	Oil Dilution	- Left - Right, Fire Detection - Left - Right-On-Test, Windshield Wiper - Fast-Slow-Off - Do Not Operate on Dry Glass, Pilot heat - Off, - Off-Bright, Circuit Breakers - Press to Reset - Fire Detection, Windshield Wiper, Ignition Booster, Pilot Heat, Oil Dilution, Navigation Lights, Landing Gear Warning Horn, Landing Light Lamp - Left-Right, Fuel Gauge And Warning Lights, Landing and Vacuum Warning Lights, Carburettor Mixture Temperature, Landing Light Motor, - Left-Right, Landing Gear Control - Press to open.						1	
-14	180006	Master	Switch						2	
-15	404-180091	Friction Lock	Propeller Main Heat						1	
-16	404-180080	Propeller	- Push - Take-Off						1	
-17	404-180086	Throttle	- Push - Open						1	
-18	404-180090	Friction Lock	Throttle						1	
-19	404-180081	Mixture	- Push - Rich						1	
-20	404-180092	Friction Lock	- Oil Shutter						1	
-21	IMBA13300	"Normal"	Anti-Icer Knob						1	
-22	644-180173	De-Icer	- Pull On - Push Off, Propeller Anti-Icer - Off, Maximum, Ignition Booster, Starter, Starter Selector - Left-Right, Gyrosyn Compass De-Slaving Switch - On - Off, Cabin Dome Lights - On - Off, Magnetos - Left Engine Off, Off-Right Engine Off, Off, Circuit Breakers - Press-to-Reset (Anti-Icer Motor, Fluorescent and Instrument Lights, Flap and Elevator Tab Indicator, De-Icer, Cabin and Reading Lights, Flap Motor, Left Oil Temperature, Right Oil Temperature, Gyrosyn Compass DC Power, Bank and Turn Indicator, Inverter)						1	
-23	404-180085	Manifold	Heat - Lift - Rich						1	
-24	734-180063	Landing Gear	Switch Emergency Release - Press						1	
-25	404-180048	Landing Gear	Position - Up - Down						1	
-26	2MBA13595	Left Engine	- Off - Left Front - Left Rear - Nose						1	

Figure and Index Number	Group FURNISHINGS							Units per Assy	Usage on Code		
	Major Assembly DECAL AND PLACARD INSTALLATION (Cont'd)										
	Part	1	2	3	4	5	6			7	Nomenclature
2-4-27	404-180120								Tail Wheel - Pull and turn to unlock	1	
-28	407-180027								Parking Brake - To lock depress pedals and pull - to release push or depress pedals, left oil shut off-pull closed, right oil shut off-pull closed, oil by-pass-pull - hot-left-right, cabin heat - push-hot left-right, fire extinguisher - hold switch to discharge.	1	
-29	2MBA13595-1								Right Engine-Off - right front - right rear - nose	1	
-30	50-524128								Aileron Tab - Left Up - Wing - Right Up	1	
-31	404-180124								Aileron Tab - Left Up - Wing - Right Up	1	
-32	404-180014								L. T. Wing Down - R. T. wing down	1	
-33	404-180087								Oil Shutter - Lift cold	1	
-34	111-71019								Anti-Collision Lights	1	
-35	111-71015								Anti-Collision Lights (circuit breaker)	1	
-36	52470								VHF and Compass Light	1	

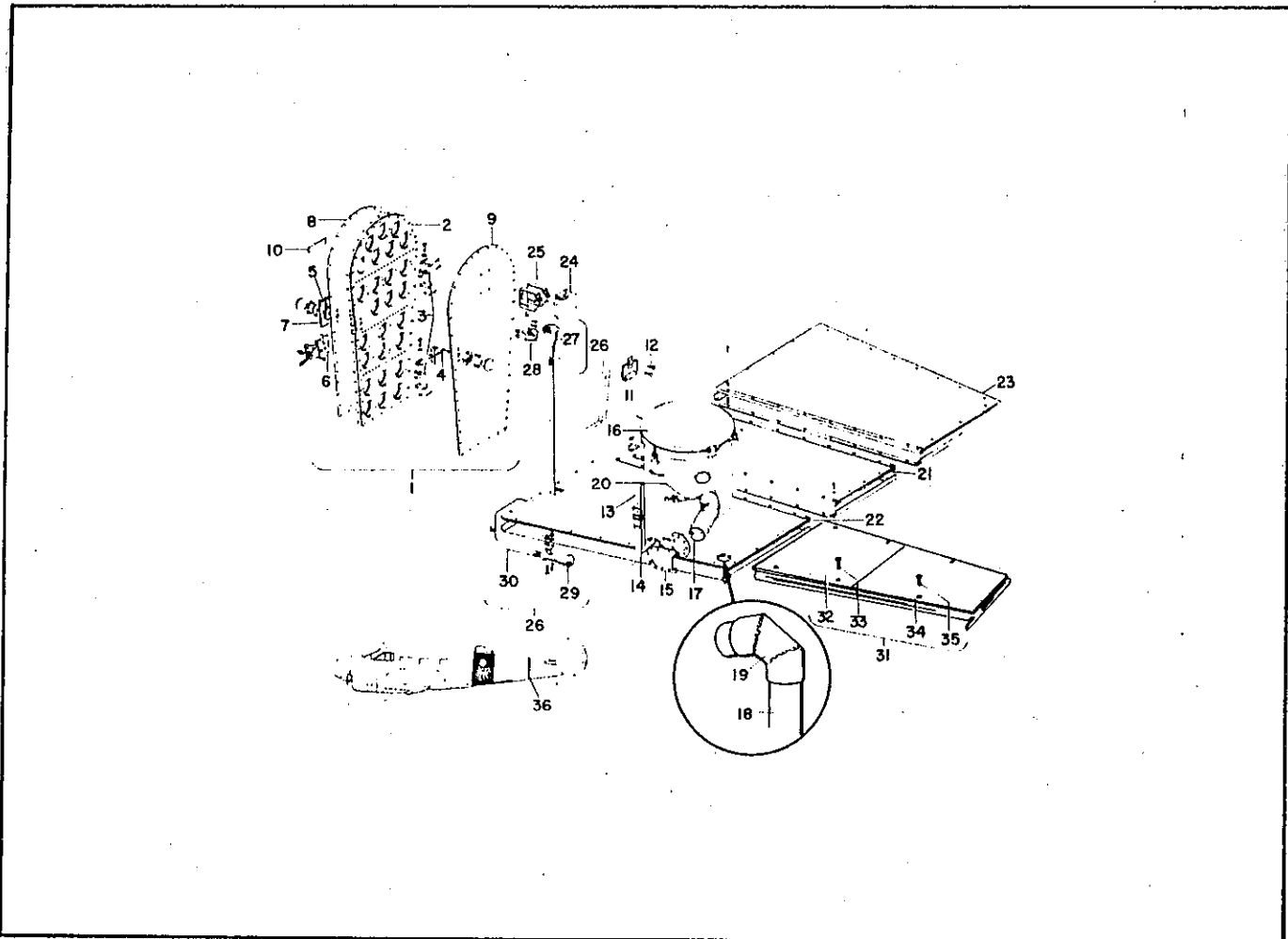


Figure 2-5 Lavatory and Rear Radio Compartment Installation

Figure and Index Number	Group FURNISHINGS							Units per Assy	Usage on Code	
	Major Assembly LAVATORY AND REAR RADIO COMPARTMENT INSTALLATION									
	Part	1	2	3	4	5	6			7
2-5-	644-183200	Compartment Installation - Lavatory (see Figure 94)							Ref	
-1	184820	Door Assembly - Lavatory compartment							1	
-2	184830	Door Assembly - Unfinished							1	
-3	184832	Hinge Assembly - Lavatory door							2	
-4	1503F-1503	Latch Assembly - Lavatory door							1	
	ATTACHING PARTS									
	SK83-632-8	Screw - Commercial (NAB)							2	
-5	100951-DD-187	Washer - Door latch							1	
	-017-018	Plate - Striker							1	
-6	185622	Parts - Protector Lavatory Door							1	
-7	404-183011	OR								
	111-84020	Plate - Protector Lavatory Door							1	
-8	644-183000-14	Panel Upholstered forward							1	
-9	644-183000-20	Panel Upholstered aft							1	

Figure and Index Number	Group FURNISHINGS						Units per Assy	Usage on Code	
	Major Assembly CABIN FURNISHINGS INSTALLATION								
	Part	1	2	3	4	5 6 7			Nomenclature
2-5-10	180062						Placard - Lavatory	1	
-11	2609						Holder - Tissue	1	
							ATTACHING PARTS:		
-12	AN515-8R12						Screw - Round head no. 8-32 x 3/4 in.	2	
	AN960-8						Washer - Plain no. 8	2	
	AN365-832						Nut - Self-locking no. 8-32	2	
-13	183209						Belt Assembly - Lavatory installation	1	
-14	7276						Loop - Toilet tie-down	2	
							ATTACHING PARTS:		
	AN510-10-18						Screw - Flathead no. 10-32 x 1-1/8 in.	2	
	AN970-3						Washer - Wood no. 3	2	
	AN960-10L						Washer - Plain no. 10	2	
	AN365-1032						Nut - Self-locking no. 10-32	2	
-15	181177						Cover - Toilet vent	1	
-16	1608A						Toilet - Sanitary (Wickland Mfg. Co. Pasadena, California)	1	
-17	111-728-120-12-16						Duct - Toilet vent	1	
-18	183206-1						Tube - Toilet vent	1	
-19	183200-7						Tube - Toilet vent	1	
-20	No Number						Wraplock - 3/4 in.	2	
-21	404-183151						Board Assembly - Lavatory floor center	1	
-22	404-183152						Board Assembly - Lavatory floor LH	1	
-23	404-183152-1						Board Assembly - Lavatory floor RH	1	
							ATTACHING PARTS:		
	AN526-832R16						Screw - Truss head no. 8-32 x 1 in.	AR	
-24	FA12476						Kit - First aid	1	
-25	180645						Strap assembly - First aid kit	2	
-26	404-180632						Tube Installation - Relief	1	
-27	AN8018-1						Horn - Relief tube	1	
-28	AN8021						Bracket - Horn support	1	
							ATTACHING PARTS:		
	AN515-632-10						Screw - Round head no. 6-32 x 5/8 in.	2	
	6K4						Washer	2	
	AN365-440						Nut - Self-locking no. 4-40	2	
-29	41A9177						Venturi - Relief tube	1	
-30	106043-S-12-08						Tube - Relief	1	
-31	4MBA13246						Floor Installation - Rear radio compartment	1	
	4MBA13244						Floor Assembly - Rear radio compartment	1	
-32	3MBA13245-2						Floor Board	1	
							ATTACHING PARTS:		
-33	AN515-6R18						Screw - Round head no. 6-32 x 1-1/8 in.	4	
	AN960-D-6						Washer - Plain no. 6	4	
	100696-S08-018						Spacer	4	
-34	3MBA13245-3						Floor board	1	
							ATTACHING PARTS:		
-35	AJ3-80						Fastener	2	
	GSA-T-593						Grommet	2	

Figure and Index Number	Group FURNISHINGS						Units per Assy	Usage on Code	
	Major Assembly CABIN FURNISHINGS INSTALLATION (Cont'd)								
	Part	1	2	3	4	5 6 7			Nomenclature
2-5-36	404-180645 404-180645-2						Seal Installation - No. 12 bulkhead Panel Assembly	1 1	

